



REVISION INFORMATION

NAVIGATION/DVD RECEIVER

KW-NT1J, KW-NT1E

■ OVERVIEW

Supported reduction in cost, and board contents were changed for KW-NT1J.
By a block of a parts list, KW-NT1J of a new type did it with a block of KW-NT1E and divided a block of KW-NT1J of an old type.
It deletes KW-NT1EE for development cancellation.

■ DETAILS

COVER SECTION

| Title | Line | No.MA453<Rev.001> | No.MA453<Rev.002> | Description |
|--------------------|------|------------------------------|------------------------------|-------------|
| Revision | | Rev.001 | Rev.002 | |
| Product Name | | GPS NAVIGATION SYSTEM | NAVIGATION/DVD RECEIVER | |
| Model No. | | KW-NT1E, KW-NT1EE, KW-NT1J | KW-NT1E, KW-NT1J | |
| Cover Illustration | | ILLUSTRATION(ma453_0001.png) | ILLUSTRATION(ma453_0001.png) | |
| SPECIFICATION | 76 | KW-NT1E, KW-NT1EE | KW-NT1E | |

SECTION 2 SPECIFIC SERVICE INSTRUCTIONS

| Title | Line | No.MA453<Rev.001> | No.MA453<Rev.002> | Description |
|---------------------------------|------|--|---|-------------|
| 2 SPECIFIC SERVICE INSTRUCTIONS | 1 | This service manual does not describe SPECIFIC SERVICE INSTRUCTIONS. | - | |
| 2.1 Identification method | T | - | 2.1 Identification method | |
| | 1 | - | Supported reduction in cost, and board contents were changed. | |
| | 2 | - | A set put the following label on is an object. | |
| | 3 | - | ILLUSTRATION(ma453_2001.png) | |

SECTION 5 TROUBLESHOOTING

| Title | Line | No.MA453<Rev.001> | No.MA453<Rev.002> | Description |
|---------------------------------------|------|---|---------------------------------------|-------------|
| 5.2 16 PIN CORD DIAGRAM (For KW-NT1E) | T | 5.2 16 PIN CORD DIAGRAM (For KW-NT1E, KW-NT1EE) | 5.2 16 PIN CORD DIAGRAM (For KW-NT1E) | |

STANDARD SCHEMATIC DIAGRAMS

Schematic Diagram

| Diagram Name | No.MA453<Rev.001> | No.MA453<Rev.002> | Description |
|--------------|----------------------|--|-------------|
| Menu | Main section | Main section (old KW-NT1J) | |
| Menu | Sub section | Sub section (old KW-NT1J) | |
| Menu | Panel section 1 | Panel section 1 (old KW-NT1J) | |
| Menu | Panel section 2 | Panel section 2 (old KW-NT1J) | |
| Menu | Panel section 3 | Panel section 3 (old KW-NT1J) | |
| Menu | Detach,Relay section | Detach,Relay section (old KW-NT1J) | |
| Menu | - | Main section (Common) ma453_s017.svgz | |
| Menu | - | Sub section (Common) ma453_s019.svgz | |
| Menu | - | Panel section 1 (Common) ma453_s020.svgz | |
| Menu | - | Panel section 2 (Common) ma453_s021.svgz | |
| Menu | - | Panel section 3 (Common) ma453_s022.svgz | |
| Menu | - | Detach,Relay section (Common) ma453_s024.svgz | |

Printed Circuit Board

| Diagram Name | No.MA453<Rev.001> | No.MA453<Rev.002> | Description |
|--------------|-------------------|---|-------------|
| Menu | Main board | Main board (old KW-NT1J) | |
| Menu | Gyro board | Gyro board (old KW-NT1J) | |
| Menu | Sub board | Sub board (old KW-NT1J) | |
| Menu | Panel board | Panel board (old KW-NT1J) | |
| Menu | Sensor board | Sensor board (old KW-NT1J) | |
| Menu | Sensor IC board | Sensor IC board (old KW-NT1J) | |
| Menu | Jack board | Jack board (old KW-NT1J) | |
| Menu | Detach board | Detach board (old KW-NT1J) | |
| Menu | Relay board | Relay board (old KW-NT1J) | |
| Menu | SLOT-LED board | SLOT-LED board (old KW-NT1J) | |
| Menu | - | Main board (Common) ma453_p017.svgz | |
| Menu | - | Gyro board (Common) ma453_p018.svgz | |
| Menu | - | Sub board (Common) ma453_p019.svgz | |
| Menu | - | Panel board (Common) ma453_p020.svgz | |
| Menu | - | Sensor board (Common) ma453_p021.svgz | |
| Menu | - | Sensor IC board (Common) ma453_p022.svgz | |

| Diagram Name | No.MA453<Rev.001> | No.MA453<Rev.002> | Description |
|--------------|-------------------|--|-------------|
| Menu | - | Jack board (Common) ma453_p023.svgz | |
| Menu | - | Detach board (Common) ma453_p024.svgz | |
| Menu | - | Relay board (Common) ma453_p025.svgz | |
| Menu | - | SLOT-LED board (Common) ma453_p026.svgz | |

Description of Major ICs

| Diagram Name | No.MA453<Rev.001> | No.MA453<Rev.002> | Description |
|--------------|-------------------|------------------------|-------------|
| Menu | IC398: JVM4401 | IC398: EN29LV320AT70TP | |

PARTS LIST

MODEL No. LIST

| Model No. | No.MA453<Rev.002> |
|-----------|-------------------|
| KW-NT1E | 02 |
| KW-NT1EE | - |
| KW-NT1J | 01 |

General assembly [M1]

| △ | Symbol | or | Part No. | | Part Name | Description | Qty | Models |
|---|--------|----|--------------|--------------|-----------------|-------------|-----|--------|
| | | | <Rev.001> | <Rev.002> | | | | |
| | M1 | 79 | LV38719-002A | ----- | NAME PLATE | (Deletion) | 1 | 03 |
| | M1 | 96 | CB-NT1EED | ----- | NAVI BOARD ASSY | (Deletion) | 1 | 03 |
| | M1 | 97 | ----- | LV45386-001A | LABEL (R2) | (Addition) | 1 | 01 |

Electrical parts list Old Main board Old KW-NT1J [01]

| △ | Symbol | or | Part No. | | Part Name | Description | Qty | Models |
|---|--------|-------|-----------------|-----------------|-----------------|-------------|-----|----------|
| | | | <Rev.001> | <Rev.002> | | | | |
| | 01 | IC201 | JVM4224 | ----- | IC (PROGRAMED) | (Deletion) | 1 | 01,02,03 |
| | 01 | IC201 | ----- | JVM4224 | IC (PROGRAMED) | (Addition) | 1 | 01 |
| | 01 | IC202 | S-80828CNNB-G-W | ----- | IC | (Deletion) | 1 | 01,02,03 |
| | 01 | IC202 | ----- | S-80828CNNB-G-W | IC | (Addition) | 1 | 01 |
| | 01 | IC203 | M24C32-RMN6-X | ----- | IC (EEPROM) | (Deletion) | 1 | 01,02,03 |
| | 01 | IC203 | ----- | M24C32-RMN6-X | IC (EEPROM) | (Addition) | 1 | 01 |
| | 01 | IC204 | NJM2871BF33-X | ----- | IC | (Deletion) | 1 | 01,02,03 |
| | 01 | IC204 | ----- | NJM2871BF33-X | IC | (Addition) | 1 | 01 |
| | 01 | IC205 | TC74LVX4053FT-X | ----- | IC (DIGITAL) | (Deletion) | 1 | 02 |
| | 01 | IC211 | TEF6606T/V3-X | ----- | IC1 | (Deletion) | 1 | 01,02,03 |
| | 01 | IC211 | ----- | TEF6606T/V3-X | IC1 | (Addition) | 1 | 01 |
| | 01 | IC212 | LC72725KM-X | ----- | IC | (Deletion) | 1 | 02,03 |
| | 01 | IC221 | TEF6606T/V3-X | ----- | IC1 | (Deletion) | 1 | 02 |
| | 01 | IC222 | LC72725KM-X | ----- | IC | (Deletion) | 1 | 02 |
| | 01 | IC232 | TDA7416 | ----- | IC | (Deletion) | 1 | 01,02,03 |
| | 01 | IC232 | ----- | TDA7416 | IC | (Addition) | 1 | 01 |
| | 01 | IC233 | TB2926CHQ | ----- | IC | (Deletion) | 1 | 01,02,03 |
| | 01 | IC233 | ----- | TB2926CHQ | IC | (Addition) | 1 | 01 |
| | 01 | IC241 | BA00CC0WFP-X | ----- | IC | (Deletion) | 1 | 01,02,03 |
| | 01 | IC241 | ----- | BA00CC0WFP-X | IC | (Addition) | 1 | 01 |
| | 01 | IC242 | NJM2871BF33-X | ----- | IC | (Deletion) | 1 | 01,02,03 |
| | 01 | IC242 | ----- | NJM2871BF33-X | IC | (Addition) | 1 | 01 |
| | 01 | IC251 | RSQ030P03-W | ----- | MOS FET | (Deletion) | 1 | 01,02,03 |
| | 01 | IC251 | ----- | RSQ030P03-W | MOS FET | (Addition) | 1 | 01 |
| | 01 | IC261 | NJM2871BF05-X | ----- | IV | (Deletion) | 1 | 02 |
| | 01 | IC291 | R2S25400DS-E | ----- | IC | (Deletion) | 1 | 01,02,03 |
| | 01 | IC291 | ----- | R2S25400DS-E | IC | (Addition) | 1 | 01 |
| | 01 | IC484 | NAL0066-001X | ----- | GYRO SENSOR | (Deletion) | 1 | 02 |
| | 01 | Q2001 | RT1N441C-X | ----- | TRANSISTOR | (Deletion) | 1 | 01,02,03 |
| | 01 | Q2001 | ----- | RT1N441C-X | TRANSISTOR | (Addition) | 1 | 01 |
| | 01 | Q2001 | or UN2213-X | ----- | DIGI TRANSISTOR | (Deletion) | 1 | 01,02,03 |
| | 01 | Q2001 | or ----- | UN2213-X | DIGI TRANSISTOR | (Addition) | 1 | 01 |
| | 01 | Q2201 | 3SK195-W | ----- | TRANSISTOR | (Deletion) | 1 | 02 |

| △ | Symbol | or | Part No. | | Part Name | Description | Qty | Models |
|---|--------|-------|-----------------|-----------------|-----------------|-------------|-----|----------|
| | | | <Rev.001> | <Rev.002> | | | | |
| | 01 | Q2301 | RT1N141C-X | ----- | DIGI TRANSISTOR | (Deletion) | 1 | 01,02,03 |
| | 01 | Q2301 | ----- | RT1N141C-X | DIGI TRANSISTOR | (Addition) | 1 | 01 |
| | 01 | Q2302 | 2SC1623A/5-6/-X | ----- | TRANSISTOR | (Deletion) | 1 | 01,02,03 |
| | 01 | Q2302 | ----- | 2SC1623A/5-6/-X | TRANSISTOR | (Addition) | 1 | 01 |
| | 01 | Q2303 | 2SD2114K/VW/-X | ----- | TRANSISTOR | (Deletion) | 1 | 01,02,03 |
| | 01 | Q2303 | ----- | 2SD2114K/VW/-X | TRANSISTOR | (Addition) | 1 | 01 |
| | 01 | Q2304 | 2SD2114K/VW/-X | ----- | TRANSISTOR | (Deletion) | 1 | 01,02,03 |
| | 01 | Q2304 | ----- | 2SD2114K/VW/-X | TRANSISTOR | (Addition) | 1 | 01 |
| | 01 | Q2305 | 2SD2114K/VW/-X | ----- | TRANSISTOR | (Deletion) | 1 | 01,02,03 |
| | 01 | Q2305 | ----- | 2SD2114K/VW/-X | TRANSISTOR | (Addition) | 1 | 01 |
| | 01 | Q2306 | 2SD2114K/VW/-X | ----- | TRANSISTOR | (Deletion) | 1 | 01,02,03 |
| | 01 | Q2306 | ----- | 2SD2114K/VW/-X | TRANSISTOR | (Addition) | 1 | 01 |
| | 01 | Q2307 | 2SD2114K/VW/-X | ----- | TRANSISTOR | (Deletion) | 1 | 01,02,03 |
| | 01 | Q2307 | ----- | 2SD2114K/VW/-X | TRANSISTOR | (Addition) | 1 | 01 |
| | 01 | Q2308 | RT1N441C-X | ----- | TRANSISTOR | (Deletion) | 1 | 01,02,03 |
| | 01 | Q2308 | ----- | RT1N441C-X | TRANSISTOR | (Addition) | 1 | 01 |
| | 01 | Q2501 | RT1N441C-X | ----- | TRANSISTOR | (Deletion) | 1 | 01,02,03 |
| | 01 | Q2501 | ----- | RT1N441C-X | TRANSISTOR | (Addition) | 1 | 01 |
| | 01 | Q2501 | or UN2213-X | ----- | DIGI TRANSISTOR | (Deletion) | 1 | 01,02,03 |
| | 01 | Q2501 | or ----- | UN2213-X | DIGI TRANSISTOR | (Addition) | 1 | 01 |
| | 01 | Q2502 | RT1N141C-X | ----- | DIGI TRANSISTOR | (Deletion) | 1 | 01,02,03 |
| | 01 | Q2502 | ----- | RT1N141C-X | DIGI TRANSISTOR | (Addition) | 1 | 01 |
| | 01 | Q2503 | RT1P141C-X | ----- | DIGI TRANSISTOR | (Deletion) | 1 | 01,02,03 |
| | 01 | Q2503 | ----- | RT1P141C-X | DIGI TRANSISTOR | (Addition) | 1 | 01 |
| | 01 | Q2504 | RT1N141C-X | ----- | DIGI TRANSISTOR | (Deletion) | 1 | 01,02,03 |
| | 01 | Q2504 | ----- | RT1N141C-X | DIGI TRANSISTOR | (Addition) | 1 | 01 |
| | 01 | Q2505 | RT1N441C-X | ----- | TRANSISTOR | (Deletion) | 1 | 01,02,03 |
| | 01 | Q2505 | ----- | RT1N441C-X | TRANSISTOR | (Addition) | 1 | 01 |
| | 01 | Q2505 | or UN2213-X | ----- | DIGI TRANSISTOR | (Deletion) | 1 | 01,02,03 |
| | 01 | Q2505 | or ----- | UN2213-X | DIGI TRANSISTOR | (Addition) | 1 | 01 |
| | 01 | Q2506 | RT1N441C-X | ----- | TRANSISTOR | (Deletion) | 1 | 01,02,03 |
| | 01 | Q2506 | ----- | RT1N441C-X | TRANSISTOR | (Addition) | 1 | 01 |
| | 01 | Q2506 | or UN2213-X | ----- | DIGI TRANSISTOR | (Deletion) | 1 | 01,02,03 |
| | 01 | Q2506 | or ----- | UN2213-X | DIGI TRANSISTOR | (Addition) | 1 | 01 |
| | 01 | Q2507 | 2SA812A/5-6/-X | ----- | TRANSISTOR | (Deletion) | 1 | 01,02,03 |
| | 01 | Q2507 | ----- | 2SA812A/5-6/-X | TRANSISTOR | (Addition) | 1 | 01 |
| | 01 | Q2508 | 2SA812A/5-6/-X | ----- | TRANSISTOR | (Deletion) | 1 | 01,02,03 |
| | 01 | Q2508 | ----- | 2SA812A/5-6/-X | TRANSISTOR | (Addition) | 1 | 01 |
| | 01 | Q2509 | 2SA812A/5-6/-X | ----- | TRANSISTOR | (Deletion) | 1 | 01,02,03 |
| | 01 | Q2509 | ----- | 2SA812A/5-6/-X | TRANSISTOR | (Addition) | 1 | 01 |
| | 01 | Q2510 | 2SC1623A/5-6/-X | ----- | TRANSISTOR | (Deletion) | 1 | 01,02,03 |
| | 01 | Q2510 | ----- | 2SC1623A/5-6/-X | TRANSISTOR | (Addition) | 1 | 01 |
| | 01 | Q2511 | RT1N141C-X | ----- | DIGI TRANSISTOR | (Deletion) | 1 | 01,02,03 |
| | 01 | Q2511 | ----- | RT1N141C-X | DIGI TRANSISTOR | (Addition) | 1 | 01 |
| | 01 | Q2512 | RT1N141C-X | ----- | DIGI TRANSISTOR | (Deletion) | 1 | 01,02,03 |
| | 01 | Q2512 | ----- | RT1N141C-X | DIGI TRANSISTOR | (Addition) | 1 | 01 |
| | 01 | Q2513 | RT1N141C-X | ----- | DIGI TRANSISTOR | (Deletion) | 1 | 01,02,03 |
| | 01 | Q2513 | ----- | RT1N141C-X | DIGI TRANSISTOR | (Addition) | 1 | 01 |
| | 01 | Q2514 | RT1N141C-X | ----- | DIGI TRANSISTOR | (Deletion) | 1 | 01,02,03 |
| | 01 | Q2514 | ----- | RT1N141C-X | DIGI TRANSISTOR | (Addition) | 1 | 01 |
| | 01 | Q2515 | 2SA812A/5-6/-X | ----- | TRANSISTOR | (Deletion) | 1 | 01,02,03 |
| | 01 | Q2515 | ----- | 2SA812A/5-6/-X | TRANSISTOR | (Addition) | 1 | 01 |
| | 01 | Q2516 | RT1N141C-X | ----- | DIGI TRANSISTOR | (Deletion) | 1 | 01,02,03 |
| | 01 | Q2516 | ----- | RT1N141C-X | DIGI TRANSISTOR | (Addition) | 1 | 01 |
| | 01 | Q2901 | RT1N141C-X | ----- | DIGI TRANSISTOR | (Deletion) | 1 | 01,02,03 |
| | 01 | Q2901 | ----- | RT1N141C-X | DIGI TRANSISTOR | (Addition) | 1 | 01 |
| | 01 | Q2902 | RT1P141C-X | ----- | DIGI TRANSISTOR | (Deletion) | 1 | 01,02,03 |
| | 01 | Q2902 | ----- | RT1P141C-X | DIGI TRANSISTOR | (Addition) | 1 | 01 |
| | 01 | Q2905 | 2SA812A/5-6/-X | ----- | TRANSISTOR | (Deletion) | 1 | 01,02,03 |
| | 01 | Q2905 | ----- | 2SA812A/5-6/-X | TRANSISTOR | (Addition) | 1 | 01 |
| | 01 | D2103 | MA111-X | ----- | SI DIODE | (Deletion) | 1 | 01,02,03 |
| | 01 | D2103 | ----- | MA111-X | SI DIODE | (Addition) | 1 | 01 |
| | 01 | D2201 | MA111-X | ----- | SI DIODE | (Deletion) | 1 | 01,02,03 |
| | 01 | D2201 | ----- | MA111-X | SI DIODE | (Addition) | 1 | 01 |
| | 01 | D2202 | MA111-X | ----- | SI DIODE | (Deletion) | 1 | 01,02,03 |
| | 01 | D2202 | ----- | MA111-X | SI DIODE | (Addition) | 1 | 01 |
| | 01 | D2301 | MC2836-X | ----- | DIODE | (Deletion) | 1 | 01,02,03 |
| | 01 | D2301 | ----- | MC2836-X | DIODE | (Addition) | 1 | 01 |

| △ | Symbol | or | Part No. | | Part Name | Description | Qty | Models |
|----|--------|----|--------------|--------------|-------------|-------------|-----|----------|
| | | | <Rev.001> | <Rev.002> | | | | |
| 01 | D2302 | | MC2836-X | ----- | DIODE | (Deletion) | 1 | 01,02,03 |
| 01 | D2302 | | ----- | MC2836-X | DIODE | (Addition) | 1 | 01 |
| 01 | D2401 | | MA8062/M/-X | ----- | Z DIODE | (Deletion) | 1 | 01,02,03 |
| 01 | D2401 | | ----- | MA8062/M/-X | Z DIODE | (Addition) | 1 | 01 |
| 01 | D2402 | | MA8062/M/-X | ----- | Z DIODE | (Deletion) | 1 | 01,02,03 |
| 01 | D2402 | | ----- | MA8062/M/-X | Z DIODE | (Addition) | 1 | 01 |
| 01 | D2501 | | MA22D39-X | ----- | SB DIODE | (Deletion) | 1 | 01,02,03 |
| 01 | D2501 | | ----- | MA22D39-X | SB DIODE | (Addition) | 1 | 01 |
| 01 | D2503 | | MA8110/L/-X | ----- | Z DIODE | (Deletion) | 1 | 01,02,03 |
| 01 | D2503 | | ----- | MA8110/L/-X | Z DIODE | (Addition) | 1 | 01 |
| 01 | D2504 | | MA111-X | ----- | SI DIODE | (Deletion) | 1 | 01,02,03 |
| 01 | D2504 | | ----- | MA111-X | SI DIODE | (Addition) | 1 | 01 |
| 01 | D2505 | | MC2836-X | ----- | DIODE | (Deletion) | 1 | 01,02,03 |
| 01 | D2505 | | ----- | MC2836-X | DIODE | (Addition) | 1 | 01 |
| 01 | D2506 | | MA111-X | ----- | SI DIODE | (Deletion) | 1 | 01,02,03 |
| 01 | D2506 | | ----- | MA111-X | SI DIODE | (Addition) | 1 | 01 |
| 01 | D2507 | | MA111-X | ----- | SI DIODE | (Deletion) | 1 | 01,02,03 |
| 01 | D2507 | | ----- | MA111-X | SI DIODE | (Addition) | 1 | 01 |
| 01 | D2801 | | MA111-X | ----- | SI DIODE | (Deletion) | 1 | 01,02,03 |
| 01 | D2801 | | ----- | MA111-X | SI DIODE | (Addition) | 1 | 01 |
| 01 | D2802 | | MA22D39-X | ----- | SB DIODE | (Deletion) | 1 | 01,02,03 |
| 01 | D2802 | | ----- | MA22D39-X | SB DIODE | (Addition) | 1 | 01 |
| 01 | D2901 | | 1N5401-04 | ----- | SI DIODE | (Deletion) | 1 | 01,02,03 |
| 01 | D2901 | | ----- | 1N5401-04 | SI DIODE | (Addition) | 1 | 01 |
| 01 | D2904 | | MA22D39-X | ----- | SB DIODE | (Deletion) | 1 | 01,02,03 |
| 01 | D2904 | | ----- | MA22D39-X | SB DIODE | (Addition) | 1 | 01 |
| 01 | D2905 | | MA22D39-X | ----- | SB DIODE | (Deletion) | 1 | 01,02,03 |
| 01 | D2905 | | ----- | MA22D39-X | SB DIODE | (Addition) | 1 | 01 |
| 01 | C2001 | | NCB31CK-104X | ----- | C CAPACITOR | (Deletion) | 1 | 01,02,03 |
| 01 | C2001 | | ----- | NCB31CK-104X | C CAPACITOR | (Addition) | 1 | 01 |
| 01 | C2002 | | NCB31HK-103X | ----- | C CAPACITOR | (Deletion) | 1 | 01,02,03 |
| 01 | C2002 | | ----- | NCB31HK-103X | C CAPACITOR | (Addition) | 1 | 01 |
| 01 | C2003 | | NCB31CK-104X | ----- | C CAPACITOR | (Deletion) | 1 | 01,02,03 |
| 01 | C2003 | | ----- | NCB31CK-104X | C CAPACITOR | (Addition) | 1 | 01 |
| 01 | C2101 | | NDC31HJ-150X | ----- | C CAPACITOR | (Deletion) | 1 | 01,02,03 |
| 01 | C2101 | | ----- | NDC31HJ-150X | C CAPACITOR | (Addition) | 1 | 01 |
| 01 | C2102 | | NDC31HJ-220X | ----- | C CAPACITOR | (Deletion) | 1 | 01,02,03 |
| 01 | C2102 | | ----- | NDC31HJ-220X | C CAPACITOR | (Addition) | 1 | 01 |
| 01 | C2103 | | NCB31HK-104X | ----- | C CAPACITOR | (Deletion) | 1 | 02,03 |
| 01 | C2104 | | NDC31HJ-7R0X | ----- | C CAPACITOR | (Deletion) | 1 | 01,02,03 |
| 01 | C2104 | | ----- | NDC31HJ-7R0X | C CAPACITOR | (Addition) | 1 | 01 |
| 01 | C2105 | | NDC31HJ-6R0X | ----- | C CAPACITOR | (Deletion) | 1 | 01,02,03 |
| 01 | C2105 | | ----- | NDC31HJ-6R0X | C CAPACITOR | (Addition) | 1 | 01 |
| 01 | C2106 | | NDC31HJ-2R0X | ----- | C CAPACITOR | (Deletion) | 1 | 01,02,03 |
| 01 | C2106 | | ----- | NDC31HJ-2R0X | C CAPACITOR | (Addition) | 1 | 01 |
| 01 | C2107 | | NCB31HK-104X | ----- | C CAPACITOR | (Deletion) | 1 | 01,02,03 |
| 01 | C2107 | | ----- | NCB31HK-104X | C CAPACITOR | (Addition) | 1 | 01 |
| 01 | C2108 | | NCB31CK-224X | ----- | C CAPACITOR | (Deletion) | 1 | 01,02,03 |
| 01 | C2108 | | ----- | NCB31CK-224X | C CAPACITOR | (Addition) | 1 | 01 |
| 01 | C2109 | | NCB31CK-105X | ----- | C CAPACITOR | (Deletion) | 1 | 01,02,03 |
| 01 | C2109 | | ----- | NCB31CK-105X | C CAPACITOR | (Addition) | 1 | 01 |
| 01 | C2110 | | NCB31HK-103X | ----- | C CAPACITOR | (Deletion) | 1 | 01,02,03 |
| 01 | C2110 | | ----- | NCB31HK-103X | C CAPACITOR | (Addition) | 1 | 01 |
| 01 | C2111 | | NCB31HK-103X | ----- | C CAPACITOR | (Deletion) | 1 | 01,02,03 |
| 01 | C2111 | | ----- | NCB31HK-103X | C CAPACITOR | (Addition) | 1 | 01 |
| 01 | C2112 | | NCB31HK-104X | ----- | C CAPACITOR | (Deletion) | 1 | 01,02,03 |
| 01 | C2112 | | ----- | NCB31HK-104X | C CAPACITOR | (Addition) | 1 | 01 |
| 01 | C2113 | | NCB31HK-103X | ----- | C CAPACITOR | (Deletion) | 1 | 01,02,03 |
| 01 | C2113 | | ----- | NCB31HK-103X | C CAPACITOR | (Addition) | 1 | 01 |
| 01 | C2114 | | NCB31HK-103X | ----- | C CAPACITOR | (Deletion) | 1 | 01,02,03 |
| 01 | C2114 | | ----- | NCB31HK-103X | C CAPACITOR | (Addition) | 1 | 01 |
| 01 | C2115 | | NCB31HK-104X | ----- | C CAPACITOR | (Deletion) | 1 | 01,02,03 |
| 01 | C2115 | | ----- | NCB31HK-104X | C CAPACITOR | (Addition) | 1 | 01 |
| 01 | C2116 | | NCB31CK-105X | ----- | C CAPACITOR | (Deletion) | 1 | 01,02,03 |
| 01 | C2116 | | ----- | NCB31CK-105X | C CAPACITOR | (Addition) | 1 | 01 |
| 01 | C2117 | | NCB31HK-104X | ----- | C CAPACITOR | (Deletion) | 1 | 01,02,03 |
| 01 | C2117 | | ----- | NCB31HK-104X | C CAPACITOR | (Addition) | 1 | 01 |
| 01 | C2118 | | QETN1HM-106Z | ----- | E CAPACITOR | (Deletion) | 1 | 01,02,03 |

| △ | Symbol | or | Part No. | | Part Name | Description | Qty | Models |
|---|--------|-------|----------------|--------------|--------------|-------------|-----|----------|
| | | | <Rev.001> | <Rev.002> | | | | |
| | 01 | C2118 | ----- | QETN1HM-106Z | E CAPACITOR | (Addition) | 1 | 01 |
| | 01 | C2119 | NCB31CK-224X | ----- | C CAPACITOR | (Deletion) | 1 | 01,02,03 |
| | 01 | C2119 | ----- | NCB31CK-224X | C CAPACITOR | (Addition) | 1 | 01 |
| | 01 | C2120 | NCB31CK-105X | ----- | C CAPACITOR | (Deletion) | 1 | 01,02,03 |
| | 01 | C2120 | ----- | NCB31CK-105X | C CAPACITOR | (Addition) | 1 | 01 |
| | 01 | C2121 | NCB31CK-105X | ----- | C CAPACITOR | (Deletion) | 1 | 01,02,03 |
| | 01 | C2121 | ----- | NCB31CK-105X | C CAPACITOR | (Addition) | 1 | 01 |
| | 01 | C2122 | NCB31CK-224X | ----- | C CAPACITOR | (Deletion) | 1 | 01,02,03 |
| | 01 | C2122 | ----- | NCB31CK-224X | C CAPACITOR | (Addition) | 1 | 01 |
| | 01 | C2123 | NCB31HK-104X | ----- | C CAPACITOR | (Deletion) | 1 | 01,02,03 |
| | 01 | C2123 | ----- | NCB31HK-104X | C CAPACITOR | (Addition) | 1 | 01 |
| | 01 | C2124 | NDC31HJ-150X | ----- | C CAPACITOR | (Deletion) | 1 | 01,02,03 |
| | 01 | C2124 | ----- | NDC31HJ-150X | C CAPACITOR | (Addition) | 1 | 01 |
| | 01 | C2125 | NCB31CK-224X | ----- | C CAPACITOR | (Deletion) | 1 | 02,03 |
| | 01 | C2126 | NDC31HJ-561X | ----- | C CAPACITOR | (Deletion) | 1 | 02,03 |
| | 01 | C2127 | NCB31HK-103X | ----- | C CAPACITOR | (Deletion) | 1 | 02,03 |
| | 01 | C2128 | NCJ11EK-106X-A | ----- | C CAPACITOR | (Deletion) | 1 | 02,03 |
| | 01 | C2129 | NCB31HK-103X | ----- | C CAPACITOR | (Deletion) | 1 | 02,03 |
| | 01 | C2130 | QETN1HM-226Z | ----- | E CAPACITOR | (Deletion) | 1 | 02,03 |
| | 01 | C2131 | NDC31HJ-330X | ----- | C CAPACITOR | (Deletion) | 1 | 02,03 |
| | 01 | C2132 | NDC31HJ-330X | ----- | C CAPACITOR | (Deletion) | 1 | 02,03 |
| | 01 | C2133 | NCB31HK-102X | ----- | C CAPACITOR | (Deletion) | 1 | 02 |
| | 01 | C2136 | NDC31HJ-101X | ----- | C CAPACITOR | (Deletion) | 1 | 01,02,03 |
| | 01 | C2136 | ----- | NDC31HJ-101X | C CAPACITOR | (Addition) | 1 | 01 |
| | 01 | C2137 | NDC31HJ-101X | ----- | C CAPACITOR | (Deletion) | 1 | 01,02,03 |
| | 01 | C2137 | ----- | NDC31HJ-101X | C CAPACITOR | (Addition) | 1 | 01 |
| | 01 | C2138 | NDC31HJ-101X | ----- | C CAPACITOR | (Deletion) | 1 | 01,02,03 |
| | 01 | C2138 | ----- | NDC31HJ-101X | C CAPACITOR | (Addition) | 1 | 01 |
| | 01 | C2201 | NDC31HJ-330X | ----- | C CAPACITOR | (Deletion) | 1 | 01,02,03 |
| | 01 | C2201 | ----- | NDC31HJ-330X | C CAPACITOR | (Addition) | 1 | 01 |
| | 01 | C2202 | NDC31HJ-330X | ----- | C CAPACITOR | (Deletion) | 1 | 01,02,03 |
| | 01 | C2202 | ----- | NDC31HJ-330X | C CAPACITOR | (Addition) | 1 | 01 |
| | 01 | C2203 | NCB31HK-103X | ----- | C CAPACITOR | (Deletion) | 1 | 02 |
| | 01 | C2204 | NDC31HJ-120X | ----- | C CAPACITOR | (Deletion) | 1 | 02 |
| | 01 | C2205 | NDC31HJ-220X | ----- | C CAPACITOR | (Deletion) | 1 | 02 |
| | 01 | C2206 | NCB31HK-103X | ----- | C CAPACITOR | (Deletion) | 1 | 02 |
| | 01 | C2207 | NCB31HK-104X | ----- | C CAPACITOR | (Deletion) | 1 | 02 |
| | 01 | C2208 | NCB31HK-103X | ----- | C CAPACITOR | (Deletion) | 1 | 02 |
| | 01 | C2209 | NCB31HK-103X | ----- | C CAPACITOR | (Deletion) | 1 | 02 |
| | 01 | C2210 | NCB31HK-104X | ----- | C CAPACITOR | (Deletion) | 1 | 02 |
| | 01 | C2211 | NCB31CK-105X | ----- | C CAPACITOR | (Deletion) | 1 | 02 |
| | 01 | C2212 | NCB31HK-104X | ----- | C CAPACITOR | (Deletion) | 1 | 02 |
| | 01 | C2213 | QETN1HM-106Z | ----- | E CAPACITOR | (Deletion) | 1 | 02 |
| | 01 | C2214 | NCB31CK-224X | ----- | C CAPACITOR | (Deletion) | 1 | 02 |
| | 01 | C2215 | NCB31HK-104X | ----- | C CAPACITOR | (Deletion) | 1 | 02 |
| | 01 | C2216 | NDC31HJ-150X | ----- | C CAPACITOR | (Deletion) | 1 | 02 |
| | 01 | C2217 | NCB31CK-224X | ----- | C CAPACITOR | (Deletion) | 1 | 02 |
| | 01 | C2218 | NDC31HJ-561X | ----- | C CAPACITOR | (Deletion) | 1 | 02 |
| | 01 | C2219 | NCB31HK-103X | ----- | C CAPACITOR | (Deletion) | 1 | 02 |
| | 01 | C2220 | NCJ11EK-106X-A | ----- | C CAPACITOR | (Deletion) | 1 | 02 |
| | 01 | C2221 | NCB31HK-103X | ----- | C CAPACITOR | (Deletion) | 1 | 02 |
| | 01 | C2225 | NCB31HK-102X | ----- | C CAPACITOR | (Deletion) | 1 | 02 |
| | 01 | C2229 | NDC31HJ-101X | ----- | C CAPACITOR | (Deletion) | 1 | 01,02,03 |
| | 01 | C2229 | ----- | NDC31HJ-101X | C CAPACITOR | (Addition) | 1 | 01 |
| | 01 | C2301 | NDC31HJ-101X | ----- | C CAPACITOR | (Deletion) | 1 | 01,02,03 |
| | 01 | C2301 | ----- | NDC31HJ-101X | C CAPACITOR | (Addition) | 1 | 01 |
| | 01 | C2302 | QETN1HM-226Z | ----- | E CAPACITOR | (Deletion) | 1 | 01,02,03 |
| | 01 | C2302 | ----- | QETN1HM-226Z | E CAPACITOR | (Addition) | 1 | 01 |
| | 01 | C2305 | QETN1CM-107Z | ----- | E CAPACITOR | (Deletion) | 1 | 01,02,03 |
| | 01 | C2305 | ----- | QETN1CM-107Z | E CAPACITOR | (Addition) | 1 | 01 |
| | 01 | C2309 | QETN1HM-226Z | ----- | E CAPACITOR | (Deletion) | 1 | 01,02,03 |
| | 01 | C2309 | ----- | QETN1HM-226Z | E CAPACITOR | (Addition) | 1 | 01 |
| | 01 | C2310 | QFV91HJ-474Z | ----- | MF CAPACITOR | (Deletion) | 1 | 01,02,03 |
| | 01 | C2310 | ----- | QFV91HJ-474Z | MF CAPACITOR | (Addition) | 1 | 01 |
| | 01 | C2311 | QFV91HJ-474Z | ----- | MF CAPACITOR | (Deletion) | 1 | 01,02,03 |
| | 01 | C2311 | ----- | QFV91HJ-474Z | MF CAPACITOR | (Addition) | 1 | 01 |
| | 01 | C2312 | NCB31CK-105X | ----- | C CAPACITOR | (Deletion) | 1 | 01,02,03 |
| | 01 | C2312 | ----- | NCB31CK-105X | C CAPACITOR | (Addition) | 1 | 01 |

| △ | Symbol | or | Part No. | | Part Name | Description | Qty | Models |
|----|--------|----|--------------|--------------|--------------|-------------|-----|----------|
| | | | <Rev.001> | <Rev.002> | | | | |
| 01 | C2313 | | NCB31CK-105X | ----- | C CAPACITOR | (Deletion) | 1 | 01,02,03 |
| 01 | C2313 | | ----- | NCB31CK-105X | C CAPACITOR | (Addition) | 1 | 01 |
| 01 | C2314 | | NCB31CK-105X | ----- | C CAPACITOR | (Deletion) | 1 | 01,02,03 |
| 01 | C2314 | | ----- | NCB31CK-105X | C CAPACITOR | (Addition) | 1 | 01 |
| 01 | C2315 | | NCB31CK-105X | ----- | C CAPACITOR | (Deletion) | 1 | 01,02,03 |
| 01 | C2315 | | ----- | NCB31CK-105X | C CAPACITOR | (Addition) | 1 | 01 |
| 01 | C2316 | | NCB31CK-105X | ----- | C CAPACITOR | (Deletion) | 1 | 01,02,03 |
| 01 | C2316 | | ----- | NCB31CK-105X | C CAPACITOR | (Addition) | 1 | 01 |
| 01 | C2317 | | QETN1CM-107Z | ----- | E CAPACITOR | (Deletion) | 1 | 01,02,03 |
| 01 | C2317 | | ----- | QETN1CM-107Z | E CAPACITOR | (Addition) | 1 | 01 |
| 01 | C2320 | | QFN31HJ-473Z | ----- | M CAPACITOR | (Deletion) | 1 | 01,02,03 |
| 01 | C2320 | | ----- | QFN31HJ-473Z | M CAPACITOR | (Addition) | 1 | 01 |
| 01 | C2321 | | NCB31HK-563X | ----- | C CAPACITOR | (Deletion) | 1 | 01,02,03 |
| 01 | C2321 | | ----- | NCB31HK-563X | C CAPACITOR | (Addition) | 1 | 01 |
| 01 | C2322 | | NCB31HK-104X | ----- | C CAPACITOR | (Deletion) | 1 | 01,02,03 |
| 01 | C2322 | | ----- | NCB31HK-104X | C CAPACITOR | (Addition) | 1 | 01 |
| 01 | C2323 | | QFV91HJ-474Z | ----- | MF CAPACITOR | (Deletion) | 1 | 01,02,03 |
| 01 | C2323 | | ----- | QFV91HJ-474Z | MF CAPACITOR | (Addition) | 1 | 01 |
| 01 | C2324 | | QFV91HJ-474Z | ----- | MF CAPACITOR | (Deletion) | 1 | 01,02,03 |
| 01 | C2324 | | ----- | QFV91HJ-474Z | MF CAPACITOR | (Addition) | 1 | 01 |
| 01 | C2325 | | QFV91HJ-474Z | ----- | MF CAPACITOR | (Deletion) | 1 | 01,02,03 |
| 01 | C2325 | | ----- | QFV91HJ-474Z | MF CAPACITOR | (Addition) | 1 | 01 |
| 01 | C2326 | | QFV91HJ-474Z | ----- | MF CAPACITOR | (Deletion) | 1 | 01,02,03 |
| 01 | C2326 | | ----- | QFV91HJ-474Z | MF CAPACITOR | (Addition) | 1 | 01 |
| 01 | C2327 | | NDC31HJ-470X | ----- | C CAPACITOR | (Deletion) | 1 | 01,02,03 |
| 01 | C2327 | | ----- | NDC31HJ-470X | C CAPACITOR | (Addition) | 1 | 01 |
| 01 | C2328 | | NDC31HJ-470X | ----- | C CAPACITOR | (Deletion) | 1 | 01,02,03 |
| 01 | C2328 | | ----- | NDC31HJ-470X | C CAPACITOR | (Addition) | 1 | 01 |
| 01 | C2329 | | NDC31HJ-470X | ----- | C CAPACITOR | (Deletion) | 1 | 01,02,03 |
| 01 | C2329 | | ----- | NDC31HJ-470X | C CAPACITOR | (Addition) | 1 | 01 |
| 01 | C2330 | | NDC31HJ-470X | ----- | C CAPACITOR | (Deletion) | 1 | 01,02,03 |
| 01 | C2330 | | ----- | NDC31HJ-470X | C CAPACITOR | (Addition) | 1 | 01 |
| 01 | C2331 | | QETN1HM-226Z | ----- | E CAPACITOR | (Deletion) | 1 | 01,02,03 |
| 01 | C2331 | | ----- | QETN1HM-226Z | E CAPACITOR | (Addition) | 1 | 01 |
| 01 | C2332 | | NDC31HJ-471X | ----- | C CAPACITOR | (Deletion) | 1 | 01,02,03 |
| 01 | C2332 | | ----- | NDC31HJ-471X | C CAPACITOR | (Addition) | 1 | 01 |
| 01 | C2333 | | QETN1EM-476Z | ----- | E CAPACITOR | (Deletion) | 1 | 01,02,03 |
| 01 | C2333 | | ----- | QETN1EM-476Z | E CAPACITOR | (Addition) | 1 | 01 |
| 01 | C2334 | | QEKJ1HM-225Z | ----- | E CAPACITOR | (Deletion) | 1 | 01,02,03 |
| 01 | C2334 | | ----- | QEKJ1HM-225Z | E CAPACITOR | (Addition) | 1 | 01 |
| 01 | C2335 | | QETN1HM-106Z | ----- | E CAPACITOR | (Deletion) | 1 | 01,02,03 |
| 01 | C2335 | | ----- | QETN1HM-106Z | E CAPACITOR | (Addition) | 1 | 01 |
| 01 | C2336 | | QFN31HJ-104Z | ----- | M CAPACITOR | (Deletion) | 1 | 01,02,03 |
| 01 | C2336 | | ----- | QFN31HJ-104Z | M CAPACITOR | (Addition) | 1 | 01 |
| 01 | C2337 | | NCB31HK-104X | ----- | C CAPACITOR | (Deletion) | 1 | 01,02,03 |
| 01 | C2337 | | ----- | NCB31HK-104X | C CAPACITOR | (Addition) | 1 | 01 |
| 01 | C2338 | | NDC31HJ-101X | ----- | C CAPACITOR | (Deletion) | 1 | 01,02,03 |
| 01 | C2338 | | ----- | NDC31HJ-101X | C CAPACITOR | (Addition) | 1 | 01 |
| 01 | C2339 | | QEKJ1HM-225Z | ----- | E CAPACITOR | (Deletion) | 1 | 01,02,03 |
| 01 | C2339 | | ----- | QEKJ1HM-225Z | E CAPACITOR | (Addition) | 1 | 01 |
| 01 | C2340 | | NDC31HJ-101X | ----- | C CAPACITOR | (Deletion) | 1 | 01,02,03 |
| 01 | C2340 | | ----- | NDC31HJ-101X | C CAPACITOR | (Addition) | 1 | 01 |
| 01 | C2341 | | NDC31HJ-101X | ----- | C CAPACITOR | (Deletion) | 1 | 01,02,03 |
| 01 | C2341 | | ----- | NDC31HJ-101X | C CAPACITOR | (Addition) | 1 | 01 |
| 01 | C2342 | | NDC31HJ-101X | ----- | C CAPACITOR | (Deletion) | 1 | 01,02,03 |
| 01 | C2342 | | ----- | NDC31HJ-101X | C CAPACITOR | (Addition) | 1 | 01 |
| 01 | C2343 | | NDC31HJ-101X | ----- | C CAPACITOR | (Deletion) | 1 | 01,02,03 |
| 01 | C2343 | | ----- | NDC31HJ-101X | C CAPACITOR | (Addition) | 1 | 01 |
| 01 | C2344 | | NDC31HJ-101X | ----- | C CAPACITOR | (Deletion) | 1 | 01,02,03 |
| 01 | C2344 | | ----- | NDC31HJ-101X | C CAPACITOR | (Addition) | 1 | 01 |
| 01 | C2345 | | NDC31HJ-101X | ----- | C CAPACITOR | (Deletion) | 1 | 01,02,03 |
| 01 | C2345 | | ----- | NDC31HJ-101X | C CAPACITOR | (Addition) | 1 | 01 |
| 01 | C2346 | | NDC31HJ-101X | ----- | C CAPACITOR | (Deletion) | 1 | 01,02,03 |
| 01 | C2346 | | ----- | NDC31HJ-101X | C CAPACITOR | (Addition) | 1 | 01 |
| 01 | C2347 | | NDC31HJ-101X | ----- | C CAPACITOR | (Deletion) | 1 | 01,02,03 |
| 01 | C2347 | | ----- | NDC31HJ-101X | C CAPACITOR | (Addition) | 1 | 01 |
| 01 | C2348 | | QETN1HM-106Z | ----- | E CAPACITOR | (Deletion) | 1 | 01,02,03 |
| 01 | C2348 | | ----- | QETN1HM-106Z | E CAPACITOR | (Addition) | 1 | 01 |

| △ | Symbol | or | Part No. | | Part Name | Description | Qty | Models |
|----|--------|----|--------------|--------------|-------------|-------------|-----|----------|
| | | | <Rev.001> | <Rev.002> | | | | |
| 01 | C2386 | | NDC31HJ-101X | ----- | C CAPACITOR | (Deletion) | 1 | 01,02,03 |
| 01 | C2386 | | ----- | NDC31HJ-101X | C CAPACITOR | (Addition) | 1 | 01 |
| 01 | C2387 | | NDC31HJ-470X | ----- | C CAPACITOR | (Deletion) | 1 | 01,02,03 |
| 01 | C2387 | | ----- | NDC31HJ-470X | C CAPACITOR | (Addition) | 1 | 01 |
| 01 | C2388 | | NDC31HJ-470X | ----- | C CAPACITOR | (Deletion) | 1 | 01,02,03 |
| 01 | C2388 | | ----- | NDC31HJ-470X | C CAPACITOR | (Addition) | 1 | 01 |
| 01 | C2389 | | NDC31HJ-470X | ----- | C CAPACITOR | (Deletion) | 1 | 01,02,03 |
| 01 | C2389 | | ----- | NDC31HJ-470X | C CAPACITOR | (Addition) | 1 | 01 |
| 01 | C2390 | | NDC31HJ-470X | ----- | C CAPACITOR | (Deletion) | 1 | 01,02,03 |
| 01 | C2390 | | ----- | NDC31HJ-470X | C CAPACITOR | (Addition) | 1 | 01 |
| 01 | C2401 | | NDC31HJ-471X | ----- | C CAPACITOR | (Deletion) | 1 | 01,02,03 |
| 01 | C2401 | | ----- | NDC31HJ-471X | C CAPACITOR | (Addition) | 1 | 01 |
| 01 | C2402 | | QETN1EM-476Z | ----- | E CAPACITOR | (Deletion) | 1 | 01,02,03 |
| 01 | C2402 | | ----- | QETN1EM-476Z | E CAPACITOR | (Addition) | 1 | 01 |
| 01 | C2403 | | NDC31HJ-471X | ----- | C CAPACITOR | (Deletion) | 1 | 01,02,03 |
| 01 | C2403 | | ----- | NDC31HJ-471X | C CAPACITOR | (Addition) | 1 | 01 |
| 01 | C2404 | | QETN1EM-476Z | ----- | E CAPACITOR | (Deletion) | 1 | 01,02,03 |
| 01 | C2404 | | ----- | QETN1EM-476Z | E CAPACITOR | (Addition) | 1 | 01 |
| 01 | C2405 | | QETN1HM-106Z | ----- | E CAPACITOR | (Deletion) | 1 | 01,02,03 |
| 01 | C2405 | | ----- | QETN1HM-106Z | E CAPACITOR | (Addition) | 1 | 01 |
| 01 | C2406 | | NCB31HK-104X | ----- | C CAPACITOR | (Deletion) | 1 | 01,02,03 |
| 01 | C2406 | | ----- | NCB31HK-104X | C CAPACITOR | (Addition) | 1 | 01 |
| 01 | C2407 | | NCB31CK-104X | ----- | C CAPACITOR | (Deletion) | 1 | 01,02,03 |
| 01 | C2407 | | ----- | NCB31CK-104X | C CAPACITOR | (Addition) | 1 | 01 |
| 01 | C2408 | | NCB31HK-103X | ----- | C CAPACITOR | (Deletion) | 1 | 01,02,03 |
| 01 | C2408 | | ----- | NCB31HK-103X | C CAPACITOR | (Addition) | 1 | 01 |
| 01 | C2409 | | NCB31CK-104X | ----- | C CAPACITOR | (Deletion) | 1 | 01,02,03 |
| 01 | C2409 | | ----- | NCB31CK-104X | C CAPACITOR | (Addition) | 1 | 01 |
| 01 | C2503 | | NCB11EK-105X | ----- | C CAPACITOR | (Deletion) | 1 | 01,02,03 |
| 01 | C2503 | | ----- | NCB11EK-105X | C CAPACITOR | (Addition) | 1 | 01 |
| 01 | C2504 | | NCB31AK-105X | ----- | C CAPACITOR | (Deletion) | 1 | 01,02,03 |
| 01 | C2504 | | ----- | NCB31AK-105X | C CAPACITOR | (Addition) | 1 | 01 |
| 01 | C2505 | | QETN1CM-107Z | ----- | E CAPACITOR | (Deletion) | 1 | 01,02,03 |
| 01 | C2505 | | ----- | QETN1CM-107Z | E CAPACITOR | (Addition) | 1 | 01 |
| 01 | C2506 | | QETN1CM-107Z | ----- | E CAPACITOR | (Deletion) | 1 | 01,02,03 |
| 01 | C2506 | | ----- | QETN1CM-107Z | E CAPACITOR | (Addition) | 1 | 01 |
| 01 | C2507 | | QETN1HM-226Z | ----- | E CAPACITOR | (Deletion) | 1 | 01,02,03 |
| 01 | C2507 | | ----- | QETN1HM-226Z | E CAPACITOR | (Addition) | 1 | 01 |
| 01 | C2508 | | NCB31CK-105X | ----- | C CAPACITOR | (Deletion) | 1 | 01,02,03 |
| 01 | C2508 | | ----- | NCB31CK-105X | C CAPACITOR | (Addition) | 1 | 01 |
| 01 | C2509 | | NDC31HJ-101X | ----- | C CAPACITOR | (Deletion) | 1 | 01,02,03 |
| 01 | C2509 | | ----- | NDC31HJ-101X | C CAPACITOR | (Addition) | 1 | 01 |
| 01 | C2510 | | NCB31CK-105X | ----- | C CAPACITOR | (Deletion) | 1 | 01,02,03 |
| 01 | C2510 | | ----- | NCB31CK-105X | C CAPACITOR | (Addition) | 1 | 01 |
| 01 | C2511 | | NCB31CK-105X | ----- | C CAPACITOR | (Deletion) | 1 | 01,02,03 |
| 01 | C2511 | | ----- | NCB31CK-105X | C CAPACITOR | (Addition) | 1 | 01 |
| 01 | C2512 | | NCB31CK-105X | ----- | C CAPACITOR | (Deletion) | 1 | 01,02,03 |
| 01 | C2512 | | ----- | NCB31CK-105X | C CAPACITOR | (Addition) | 1 | 01 |
| 01 | C2601 | | QETN1HM-106Z | ----- | E CAPACITOR | (Deletion) | 1 | 02 |
| 01 | C2602 | | QETN1CM-107Z | ----- | E CAPACITOR | (Deletion) | 1 | 02 |
| 01 | C2603 | | NCB31CK-105X | ----- | C CAPACITOR | (Deletion) | 1 | 02 |
| 01 | C2604 | | NCB31HK-103X | ----- | C CAPACITOR | (Deletion) | 1 | 02 |
| 01 | C2801 | | NCB31EK-473X | ----- | C CAPACITOR | (Deletion) | 1 | 01,02,03 |
| 01 | C2801 | | ----- | NCB31EK-473X | C CAPACITOR | (Addition) | 1 | 01 |
| 01 | C2802 | | QETN1EM-476Z | ----- | E CAPACITOR | (Deletion) | 1 | 01,02,03 |
| 01 | C2802 | | ----- | QETN1EM-476Z | E CAPACITOR | (Addition) | 1 | 01 |
| 01 | C2803 | | NDC31HJ-220X | ----- | C CAPACITOR | (Deletion) | 1 | 01,02,03 |
| 01 | C2803 | | ----- | NDC31HJ-220X | C CAPACITOR | (Addition) | 1 | 01 |
| 01 | C2804 | | NDC31HJ-220X | ----- | C CAPACITOR | (Deletion) | 1 | 01,02,03 |
| 01 | C2804 | | ----- | NDC31HJ-220X | C CAPACITOR | (Addition) | 1 | 01 |
| 01 | C2805 | | NDC31HJ-120X | ----- | C CAPACITOR | (Deletion) | 1 | 01,02,03 |
| 01 | C2805 | | ----- | NDC31HJ-120X | C CAPACITOR | (Addition) | 1 | 01 |
| 01 | C2806 | | NDC31HJ-100X | ----- | C CAPACITOR | (Deletion) | 1 | 01,02,03 |
| 01 | C2806 | | ----- | NDC31HJ-100X | C CAPACITOR | (Addition) | 1 | 01 |
| 01 | C2807 | | NCB31CK-104X | ----- | C CAPACITOR | (Deletion) | 1 | 01,02,03 |
| 01 | C2807 | | ----- | NCB31CK-104X | C CAPACITOR | (Addition) | 1 | 01 |
| 01 | C2808 | | QETN1AM-227Z | ----- | E CAPACITOR | (Deletion) | 1 | 01,02,03 |
| 01 | C2808 | | ----- | QETN1AM-227Z | E CAPACITOR | (Addition) | 1 | 01 |

| △ | Symbol | or | Part No. | | Part Name | Description | Qty | Models |
|---|--------|-------|--------------|--------------|-------------|-------------|-----|----------|
| | | | <Rev.001> | <Rev.002> | | | | |
| | 01 | C2809 | QETN1CM-107Z | ----- | E CAPACITOR | (Deletion) | 1 | 01,02,03 |
| | 01 | C2809 | ----- | QETN1CM-107Z | E CAPACITOR | (Addition) | 1 | 01 |
| | 01 | C2810 | QETN0JM-108Z | ----- | E CAPACITOR | (Deletion) | 1 | 01,02,03 |
| | 01 | C2810 | ----- | QETN0JM-108Z | E CAPACITOR | (Addition) | 1 | 01 |
| | 01 | C2811 | QETN1AM-227Z | ----- | E CAPACITOR | (Deletion) | 1 | 01,02,03 |
| | 01 | C2811 | ----- | QETN1AM-227Z | E CAPACITOR | (Addition) | 1 | 01 |
| | 01 | C2812 | NCB31CK-104X | ----- | C CAPACITOR | (Deletion) | 1 | 01,02,03 |
| | 01 | C2812 | ----- | NCB31CK-104X | C CAPACITOR | (Addition) | 1 | 01 |
| | 01 | C2813 | NCB31HK-103X | ----- | C CAPACITOR | (Deletion) | 1 | 01,02,03 |
| | 01 | C2813 | ----- | NCB31HK-103X | C CAPACITOR | (Addition) | 1 | 01 |
| | 01 | C2814 | NCB31CK-104X | ----- | C CAPACITOR | (Deletion) | 1 | 02 |
| | 01 | C2815 | NCB31EK-473X | ----- | C CAPACITOR | (Deletion) | 1 | 01,02,03 |
| | 01 | C2815 | ----- | NCB31EK-473X | C CAPACITOR | (Addition) | 1 | 01 |
| | 01 | C2816 | NCB31CK-104X | ----- | C CAPACITOR | (Deletion) | 1 | 01,02,03 |
| | 01 | C2816 | ----- | NCB31CK-104X | C CAPACITOR | (Addition) | 1 | 01 |
| | 01 | C2817 | NDC31HJ-222X | ----- | C CAPACITOR | (Deletion) | 1 | 02 |
| | 01 | C2818 | NCB31CK-104X | ----- | C CAPACITOR | (Deletion) | 1 | 01,02,03 |
| | 01 | C2818 | ----- | NCB31CK-104X | C CAPACITOR | (Addition) | 1 | 01 |
| | 01 | C2819 | NCB31CK-104X | ----- | C CAPACITOR | (Deletion) | 1 | 01,02,03 |
| | 01 | C2819 | ----- | NCB31CK-104X | C CAPACITOR | (Addition) | 1 | 01 |
| | 01 | C2901 | QEZ0870-278 | ----- | E CAPACITOR | (Deletion) | 1 | 01,02,03 |
| | 01 | C2901 | ----- | QEZ0870-278 | E CAPACITOR | (Addition) | 1 | 01 |
| | 01 | C2902 | QEKJ1HM-225Z | ----- | E CAPACITOR | (Deletion) | 1 | 01,02,03 |
| | 01 | C2902 | ----- | QEKJ1HM-225Z | E CAPACITOR | (Addition) | 1 | 01 |
| | 01 | C2903 | QETN1EM-476Z | ----- | E CAPACITOR | (Deletion) | 1 | 01,02,03 |
| | 01 | C2903 | ----- | QETN1EM-476Z | E CAPACITOR | (Addition) | 1 | 01 |
| | 01 | C2904 | QETN1HM-106Z | ----- | E CAPACITOR | (Deletion) | 1 | 01,02,03 |
| | 01 | C2904 | ----- | QETN1HM-106Z | E CAPACITOR | (Addition) | 1 | 01 |
| | 01 | C2905 | QETN1EM-476Z | ----- | E CAPACITOR | (Deletion) | 1 | 01,02,03 |
| | 01 | C2905 | ----- | QETN1EM-476Z | E CAPACITOR | (Addition) | 1 | 01 |
| | 01 | C2906 | QETN1CM-107Z | ----- | E CAPACITOR | (Deletion) | 1 | 01,02,03 |
| | 01 | C2906 | ----- | QETN1CM-107Z | E CAPACITOR | (Addition) | 1 | 01 |
| | 01 | C2907 | NCB31CK-104X | ----- | C CAPACITOR | (Deletion) | 1 | 01,02,03 |
| | 01 | C2907 | ----- | NCB31CK-104X | C CAPACITOR | (Addition) | 1 | 01 |
| | 01 | C2908 | NCB31CK-104X | ----- | C CAPACITOR | (Deletion) | 1 | 01,02,03 |
| | 01 | C2908 | ----- | NCB31CK-104X | C CAPACITOR | (Addition) | 1 | 01 |
| | 01 | C2909 | QETN1HM-106Z | ----- | E CAPACITOR | (Deletion) | 1 | 01,02,03 |
| | 01 | C2909 | ----- | QETN1HM-106Z | E CAPACITOR | (Addition) | 1 | 01 |
| | 01 | C2911 | QETN1HM-106Z | ----- | E CAPACITOR | (Deletion) | 1 | 01,02,03 |
| | 01 | C2911 | ----- | QETN1HM-106Z | E CAPACITOR | (Addition) | 1 | 01 |
| | 01 | C2913 | NCB31EK-104X | ----- | C CAPACITOR | (Deletion) | 1 | 01,02,03 |
| | 01 | C2913 | ----- | NCB31EK-104X | C CAPACITOR | (Addition) | 1 | 01 |
| | 01 | C2914 | QETN1CM-108Z | ----- | E CAPACITOR | (Deletion) | 1 | 01,02,03 |
| | 01 | C2914 | ----- | QETN1CM-108Z | E CAPACITOR | (Addition) | 1 | 01 |
| | 01 | C2921 | NDC31HJ-470X | ----- | C CAPACITOR | (Deletion) | 1 | 01,02,03 |
| | 01 | C2921 | ----- | NDC31HJ-470X | C CAPACITOR | (Addition) | 1 | 01 |
| | 01 | C2923 | NDC31HJ-470X | ----- | C CAPACITOR | (Deletion) | 1 | 01,02,03 |
| | 01 | C2923 | ----- | NDC31HJ-470X | C CAPACITOR | (Addition) | 1 | 01 |
| | 01 | C2925 | NDC31HJ-470X | ----- | C CAPACITOR | (Deletion) | 1 | 01,02,03 |
| | 01 | C2925 | ----- | NDC31HJ-470X | C CAPACITOR | (Addition) | 1 | 01 |
| | 01 | C2928 | QEKJ1HM-225Z | ----- | E CAPACITOR | (Deletion) | 1 | 01,02,03 |
| | 01 | C2928 | ----- | QEKJ1HM-225Z | E CAPACITOR | (Addition) | 1 | 01 |
| | 01 | C2931 | NDC31HJ-470X | ----- | C CAPACITOR | (Deletion) | 1 | 01,02,03 |
| | 01 | C2931 | ----- | NDC31HJ-470X | C CAPACITOR | (Addition) | 1 | 01 |
| | 01 | C2933 | NDC31HJ-470X | ----- | C CAPACITOR | (Deletion) | 1 | 01,02,03 |
| | 01 | C2933 | ----- | NDC31HJ-470X | C CAPACITOR | (Addition) | 1 | 01 |
| | 01 | C2934 | NDC31HJ-470X | ----- | C CAPACITOR | (Deletion) | 1 | 01,02,03 |
| | 01 | C2934 | ----- | NDC31HJ-470X | C CAPACITOR | (Addition) | 1 | 01 |
| | 01 | C2937 | NDC31HJ-470X | ----- | C CAPACITOR | (Deletion) | 1 | 01,02,03 |
| | 01 | C2937 | ----- | NDC31HJ-470X | C CAPACITOR | (Addition) | 1 | 01 |
| | 01 | C2938 | NDC31HJ-470X | ----- | C CAPACITOR | (Deletion) | 1 | 01,02,03 |
| | 01 | C2938 | ----- | NDC31HJ-470X | C CAPACITOR | (Addition) | 1 | 01 |
| | 01 | C2941 | NDC31HJ-470X | ----- | C CAPACITOR | (Deletion) | 1 | 01,02,03 |
| | 01 | C2941 | ----- | NDC31HJ-470X | C CAPACITOR | (Addition) | 1 | 01 |
| | 01 | C2943 | NDC31HJ-470X | ----- | C CAPACITOR | (Deletion) | 1 | 01,02,03 |
| | 01 | C2943 | ----- | NDC31HJ-470X | C CAPACITOR | (Addition) | 1 | 01 |
| | 01 | C2945 | NDC31HJ-470X | ----- | C CAPACITOR | (Deletion) | 1 | 01,02,03 |
| | 01 | C2945 | ----- | NDC31HJ-470X | C CAPACITOR | (Addition) | 1 | 01 |

| △ | Symbol | or | Part No. | | Part Name | Description | Qty | Models |
|----|--------|----|--------------|--------------|-------------|-------------|-----|----------|
| | | | <Rev.001> | <Rev.002> | | | | |
| 01 | C2947 | | NDC31HJ-470X | ----- | C CAPACITOR | (Deletion) | 1 | 01,02,03 |
| 01 | C2947 | | ----- | NDC31HJ-470X | C CAPACITOR | (Addition) | 1 | 01 |
| 01 | C2949 | | NDC31HJ-470X | ----- | C CAPACITOR | (Deletion) | 1 | 01,02,03 |
| 01 | C2949 | | ----- | NDC31HJ-470X | C CAPACITOR | (Addition) | 1 | 01 |
| 01 | C4841 | | NCB31CK-104X | ----- | C CAPACITOR | (Deletion) | 1 | 02 |
| 01 | C4842 | | NDC31HJ-101X | ----- | C CAPACITOR | (Deletion) | 1 | 02 |
| 01 | R2001 | | NRSA63J-101X | ----- | MG RESISTOR | (Deletion) | 1 | 01,02,03 |
| 01 | R2001 | | ----- | NRSA63J-101X | MG RESISTOR | (Addition) | 1 | 01 |
| 01 | R2002 | | NRSA63J-102X | ----- | MG RESISTOR | (Deletion) | 1 | 01,02,03 |
| 01 | R2002 | | ----- | NRSA63J-102X | MG RESISTOR | (Addition) | 1 | 01 |
| 01 | R2003 | | NRSA63J-102X | ----- | MG RESISTOR | (Deletion) | 1 | 01,02,03 |
| 01 | R2003 | | ----- | NRSA63J-102X | MG RESISTOR | (Addition) | 1 | 01 |
| 01 | R2004 | | NRSA63J-101X | ----- | MG RESISTOR | (Deletion) | 1 | 01,02,03 |
| 01 | R2004 | | ----- | NRSA63J-101X | MG RESISTOR | (Addition) | 1 | 01 |
| 01 | R2005 | | NRSA63J-102X | ----- | MG RESISTOR | (Deletion) | 1 | 01,02,03 |
| 01 | R2005 | | ----- | NRSA63J-102X | MG RESISTOR | (Addition) | 1 | 01 |
| 01 | R2006 | | NRSA63J-101X | ----- | MG RESISTOR | (Deletion) | 1 | 01,02,03 |
| 01 | R2006 | | ----- | NRSA63J-101X | MG RESISTOR | (Addition) | 1 | 01 |
| 01 | R2007 | | NRSA63J-472X | ----- | MG RESISTOR | (Deletion) | 1 | 01,02,03 |
| 01 | R2007 | | ----- | NRSA63J-472X | MG RESISTOR | (Addition) | 1 | 01 |
| 01 | R2008 | | NRSA63J-101X | ----- | MG RESISTOR | (Deletion) | 1 | 01,02,03 |
| 01 | R2008 | | ----- | NRSA63J-101X | MG RESISTOR | (Addition) | 1 | 01 |
| 01 | R2009 | | NRSA63J-101X | ----- | MG RESISTOR | (Deletion) | 1 | 01,02,03 |
| 01 | R2009 | | ----- | NRSA63J-101X | MG RESISTOR | (Addition) | 1 | 01 |
| 01 | R2010 | | NRSA63J-472X | ----- | MG RESISTOR | (Deletion) | 1 | 01,02,03 |
| 01 | R2010 | | ----- | NRSA63J-472X | MG RESISTOR | (Addition) | 1 | 01 |
| 01 | R2011 | | NRSA63J-472X | ----- | MG RESISTOR | (Deletion) | 1 | 01,02,03 |
| 01 | R2011 | | ----- | NRSA63J-472X | MG RESISTOR | (Addition) | 1 | 01 |
| 01 | R2012 | | NRSA63J-102X | ----- | MG RESISTOR | (Deletion) | 1 | 01,02,03 |
| 01 | R2012 | | ----- | NRSA63J-102X | MG RESISTOR | (Addition) | 1 | 01 |
| 01 | R2013 | | NRSA63J-102X | ----- | MG RESISTOR | (Deletion) | 1 | 01,02,03 |
| 01 | R2013 | | ----- | NRSA63J-102X | MG RESISTOR | (Addition) | 1 | 01 |
| 01 | R2014 | | NRSA63J-102X | ----- | MG RESISTOR | (Deletion) | 1 | 01,02,03 |
| 01 | R2014 | | ----- | NRSA63J-102X | MG RESISTOR | (Addition) | 1 | 01 |
| 01 | R2015 | | NRSA63J-102X | ----- | MG RESISTOR | (Deletion) | 1 | 01,02,03 |
| 01 | R2015 | | ----- | NRSA63J-102X | MG RESISTOR | (Addition) | 1 | 01 |
| 01 | R2016 | | NRSA63J-101X | ----- | MG RESISTOR | (Deletion) | 1 | 01,02,03 |
| 01 | R2016 | | ----- | NRSA63J-101X | MG RESISTOR | (Addition) | 1 | 01 |
| 01 | R2017 | | NRSA63J-101X | ----- | MG RESISTOR | (Deletion) | 1 | 01,02,03 |
| 01 | R2017 | | ----- | NRSA63J-101X | MG RESISTOR | (Addition) | 1 | 01 |
| 01 | R2018 | | NRSA63J-102X | ----- | MG RESISTOR | (Deletion) | 1 | 01,02,03 |
| 01 | R2018 | | ----- | NRSA63J-102X | MG RESISTOR | (Addition) | 1 | 01 |
| 01 | R2019 | | NRSA63J-102X | ----- | MG RESISTOR | (Deletion) | 1 | 01,02,03 |
| 01 | R2019 | | ----- | NRSA63J-102X | MG RESISTOR | (Addition) | 1 | 01 |
| 01 | R2020 | | NRSA63J-102X | ----- | MG RESISTOR | (Deletion) | 1 | 01,02,03 |
| 01 | R2020 | | ----- | NRSA63J-102X | MG RESISTOR | (Addition) | 1 | 01 |
| 01 | R2021 | | NRSA63J-102X | ----- | MG RESISTOR | (Deletion) | 1 | 01,02,03 |
| 01 | R2021 | | ----- | NRSA63J-102X | MG RESISTOR | (Addition) | 1 | 01 |
| 01 | R2022 | | NRSA63J-101X | ----- | MG RESISTOR | (Deletion) | 1 | 01,02,03 |
| 01 | R2022 | | ----- | NRSA63J-101X | MG RESISTOR | (Addition) | 1 | 01 |
| 01 | R2023 | | NRSA63J-101X | ----- | MG RESISTOR | (Deletion) | 1 | 01,02,03 |
| 01 | R2023 | | ----- | NRSA63J-101X | MG RESISTOR | (Addition) | 1 | 01 |
| 01 | R2024 | | NRSA63J-101X | ----- | MG RESISTOR | (Deletion) | 1 | 01,02,03 |
| 01 | R2024 | | ----- | NRSA63J-101X | MG RESISTOR | (Addition) | 1 | 01 |
| 01 | R2025 | | NRSA63J-101X | ----- | MG RESISTOR | (Deletion) | 1 | 01,02,03 |
| 01 | R2025 | | ----- | NRSA63J-101X | MG RESISTOR | (Addition) | 1 | 01 |
| 01 | R2026 | | NRSA63J-101X | ----- | MG RESISTOR | (Deletion) | 1 | 01,02,03 |
| 01 | R2026 | | ----- | NRSA63J-101X | MG RESISTOR | (Addition) | 1 | 01 |
| 01 | R2027 | | NRSA63J-101X | ----- | MG RESISTOR | (Deletion) | 1 | 01,02,03 |
| 01 | R2027 | | ----- | NRSA63J-101X | MG RESISTOR | (Addition) | 1 | 01 |
| 01 | R2028 | | NRSA63J-101X | ----- | MG RESISTOR | (Deletion) | 1 | 01,02,03 |
| 01 | R2028 | | ----- | NRSA63J-101X | MG RESISTOR | (Addition) | 1 | 01 |
| 01 | R2029 | | NRSA63J-102X | ----- | MG RESISTOR | (Deletion) | 1 | 01,02,03 |
| 01 | R2029 | | ----- | NRSA63J-102X | MG RESISTOR | (Addition) | 1 | 01 |
| 01 | R2030 | | NRSA63J-102X | ----- | MG RESISTOR | (Deletion) | 1 | 01,02,03 |
| 01 | R2030 | | ----- | NRSA63J-102X | MG RESISTOR | (Addition) | 1 | 01 |
| 01 | R2031 | | NRSA63J-272X | ----- | MG RESISTOR | (Deletion) | 1 | 01,02,03 |
| 01 | R2031 | | ----- | NRSA63J-272X | MG RESISTOR | (Addition) | 1 | 01 |

| △ | Symbol | or | Part No. | | Part Name | Description | Qty | Models |
|---|--------|-------|--------------|--------------|-------------|-------------|-----|----------|
| | | | <Rev.001> | <Rev.002> | | | | |
| | 01 | R2068 | ----- | NRSA63J-101X | MG RESISTOR | (Addition) | 1 | 01 |
| | 01 | R2069 | NRSA63J-102X | ----- | MG RESISTOR | (Deletion) | 1 | 01,02,03 |
| | 01 | R2069 | ----- | NRSA63J-102X | MG RESISTOR | (Addition) | 1 | 01 |
| | 01 | R2070 | NRSA63J-102X | ----- | MG RESISTOR | (Deletion) | 1 | 01,02,03 |
| | 01 | R2070 | ----- | NRSA63J-102X | MG RESISTOR | (Addition) | 1 | 01 |
| | 01 | R2071 | NRSA63J-101X | ----- | MG RESISTOR | (Deletion) | 1 | 01,02,03 |
| | 01 | R2071 | ----- | NRSA63J-101X | MG RESISTOR | (Addition) | 1 | 01 |
| | 01 | R2072 | NRSA63J-101X | ----- | MG RESISTOR | (Deletion) | 1 | 01,02,03 |
| | 01 | R2072 | ----- | NRSA63J-101X | MG RESISTOR | (Addition) | 1 | 01 |
| | 01 | R2073 | NRSA63J-473X | ----- | MG RESISTOR | (Deletion) | 1 | 01,02,03 |
| | 01 | R2073 | ----- | NRSA63J-473X | MG RESISTOR | (Addition) | 1 | 01 |
| | 01 | R2074 | NRSA63J-102X | ----- | MG RESISTOR | (Deletion) | 1 | 01,02,03 |
| | 01 | R2074 | ----- | NRSA63J-102X | MG RESISTOR | (Addition) | 1 | 01 |
| | 01 | R2075 | NRSA63J-102X | ----- | MG RESISTOR | (Deletion) | 1 | 01,02,03 |
| | 01 | R2075 | ----- | NRSA63J-102X | MG RESISTOR | (Addition) | 1 | 01 |
| | 01 | R2076 | NRSA63J-102X | ----- | MG RESISTOR | (Deletion) | 1 | 01,02,03 |
| | 01 | R2076 | ----- | NRSA63J-102X | MG RESISTOR | (Addition) | 1 | 01 |
| | 01 | R2077 | NRSA63J-472X | ----- | MG RESISTOR | (Deletion) | 1 | 01,02,03 |
| | 01 | R2077 | ----- | NRSA63J-472X | MG RESISTOR | (Addition) | 1 | 01 |
| | 01 | R2078 | NRSA63J-472X | ----- | MG RESISTOR | (Deletion) | 1 | 01,02,03 |
| | 01 | R2078 | ----- | NRSA63J-472X | MG RESISTOR | (Addition) | 1 | 01 |
| | 01 | R2079 | NRSA63J-101X | ----- | MG RESISTOR | (Deletion) | 1 | 01,02,03 |
| | 01 | R2079 | ----- | NRSA63J-101X | MG RESISTOR | (Addition) | 1 | 01 |
| | 01 | R2080 | NRSA63J-101X | ----- | MG RESISTOR | (Deletion) | 1 | 01,02,03 |
| | 01 | R2080 | ----- | NRSA63J-101X | MG RESISTOR | (Addition) | 1 | 01 |
| | 01 | R2081 | NRSA63J-102X | ----- | MG RESISTOR | (Deletion) | 1 | 01,02,03 |
| | 01 | R2081 | ----- | NRSA63J-102X | MG RESISTOR | (Addition) | 1 | 01 |
| | 01 | R2082 | NRSA63J-102X | ----- | MG RESISTOR | (Deletion) | 1 | 01,02,03 |
| | 01 | R2082 | ----- | NRSA63J-102X | MG RESISTOR | (Addition) | 1 | 01 |
| | 01 | R2083 | NRSA63J-102X | ----- | MG RESISTOR | (Deletion) | 1 | 01,02,03 |
| | 01 | R2083 | ----- | NRSA63J-102X | MG RESISTOR | (Addition) | 1 | 01 |
| | 01 | R2084 | NRSA63J-101X | ----- | MG RESISTOR | (Deletion) | 1 | 01,02,03 |
| | 01 | R2084 | ----- | NRSA63J-101X | MG RESISTOR | (Addition) | 1 | 01 |
| | 01 | R2085 | NRSA63J-102X | ----- | MG RESISTOR | (Deletion) | 1 | 01,02,03 |
| | 01 | R2085 | ----- | NRSA63J-102X | MG RESISTOR | (Addition) | 1 | 01 |
| | 01 | R2086 | NRSA63J-0R0X | ----- | MG RESISTOR | (Deletion) | 1 | 01,02,03 |
| | 01 | R2086 | ----- | NRSA63J-0R0X | MG RESISTOR | (Addition) | 1 | 01 |
| | 01 | R2087 | NRSA63J-101X | ----- | MG RESISTOR | (Deletion) | 1 | 01,02,03 |
| | 01 | R2087 | ----- | NRSA63J-101X | MG RESISTOR | (Addition) | 1 | 01 |
| | 01 | R2088 | NRSA63J-102X | ----- | MG RESISTOR | (Deletion) | 1 | 01,02,03 |
| | 01 | R2088 | ----- | NRSA63J-102X | MG RESISTOR | (Addition) | 1 | 01 |
| | 01 | R2089 | NRSA63J-102X | ----- | MG RESISTOR | (Deletion) | 1 | 01,02,03 |
| | 01 | R2089 | ----- | NRSA63J-102X | MG RESISTOR | (Addition) | 1 | 01 |
| | 01 | R2101 | NRSA63J-684X | ----- | MG RESISTOR | (Deletion) | 1 | 02,03 |
| | 01 | R2102 | NRSA63J-684X | ----- | MG RESISTOR | (Deletion) | 1 | 02,03 |
| | 01 | R2103 | NRSA63J-472X | ----- | MG RESISTOR | (Deletion) | 1 | 01,02,03 |
| | 01 | R2103 | ----- | NRSA63J-472X | MG RESISTOR | (Addition) | 1 | 01 |
| | 01 | R2104 | NRS181J-220X | ----- | MG RESISTOR | (Deletion) | 1 | 01,02,03 |
| | 01 | R2104 | ----- | NRS181J-220X | MG RESISTOR | (Addition) | 1 | 01 |
| | 01 | R2105 | NRSA63J-101X | ----- | MG RESISTOR | (Deletion) | 1 | 01,02,03 |
| | 01 | R2105 | ----- | NRSA63J-101X | MG RESISTOR | (Addition) | 1 | 01 |
| | 01 | R2106 | NRSA63J-101X | ----- | MG RESISTOR | (Deletion) | 1 | 01,02,03 |
| | 01 | R2106 | ----- | NRSA63J-101X | MG RESISTOR | (Addition) | 1 | 01 |
| | 01 | R2107 | NRSA63J-103X | ----- | MG RESISTOR | (Deletion) | 1 | 01,02,03 |
| | 01 | R2107 | ----- | NRSA63J-103X | MG RESISTOR | (Addition) | 1 | 01 |
| | 01 | R2108 | NRSA63J-103X | ----- | MG RESISTOR | (Deletion) | 1 | 01,02,03 |
| | 01 | R2108 | ----- | NRSA63J-103X | MG RESISTOR | (Addition) | 1 | 01 |
| | 01 | R2109 | NRSA63J-102X | ----- | MG RESISTOR | (Deletion) | 1 | 02,03 |
| | 01 | R2110 | NRSA63J-102X | ----- | MG RESISTOR | (Deletion) | 1 | 02,03 |
| | 01 | R2112 | NRSA63J-102X | ----- | MG RESISTOR | (Deletion) | 1 | 02,03 |
| | 01 | R2113 | NRSA63J-0R0X | ----- | MG RESISTOR | (Deletion) | 1 | 01,02,03 |
| | 01 | R2113 | ----- | NRSA63J-0R0X | MG RESISTOR | (Addition) | 1 | 01 |
| | 01 | R2114 | NRSA63J-0R0X | ----- | MG RESISTOR | (Deletion) | 1 | 01,02,03 |
| | 01 | R2114 | ----- | NRSA63J-0R0X | MG RESISTOR | (Addition) | 1 | 01 |
| | 01 | R2201 | NRSA63J-104X | ----- | MG RESISTOR | (Deletion) | 1 | 01,02,03 |
| | 01 | R2201 | ----- | NRSA63J-104X | MG RESISTOR | (Addition) | 1 | 01 |
| | 01 | R2202 | NRSA63J-394X | ----- | MG RESISTOR | (Deletion) | 1 | 01,02,03 |
| | 01 | R2202 | ----- | NRSA63J-394X | MG RESISTOR | (Addition) | 1 | 01 |

| △ | Symbol | or | Part No. | | Part Name | Description | Qty | Models |
|----|--------|----|--------------|--------------|-------------|-------------|-----|----------|
| | | | <Rev.001> | <Rev.002> | | | | |
| 01 | R2203 | | NRSA63J-104X | ----- | MG RESISTOR | (Deletion) | 1 | 02 |
| 01 | R2204 | | NRSA63J-823X | ----- | MG RESISTOR | (Deletion) | 1 | 02 |
| 01 | R2205 | | NRSA63J-0R0X | ----- | MG RESISTOR | (Deletion) | 1 | 02 |
| 01 | R2206 | | NRSA63J-0R0X | ----- | MG RESISTOR | (Deletion) | 1 | 02 |
| 01 | R2207 | | NRSA63J-472X | ----- | MG RESISTOR | (Deletion) | 1 | 02 |
| 01 | R2208 | | NRSA63J-101X | ----- | MG RESISTOR | (Deletion) | 1 | 02 |
| 01 | R2209 | | NRS181J-220X | ----- | MG RESISTOR | (Deletion) | 1 | 02 |
| 01 | R2210 | | NRSA63J-101X | ----- | MG RESISTOR | (Deletion) | 1 | 02 |
| 01 | R2211 | | NRSA63J-103X | ----- | MG RESISTOR | (Deletion) | 1 | 02 |
| 01 | R2212 | | NRSA63J-103X | ----- | MG RESISTOR | (Deletion) | 1 | 02 |
| 01 | R2213 | | NRSA63J-102X | ----- | MG RESISTOR | (Deletion) | 1 | 02 |
| 01 | R2214 | | NRSA63J-102X | ----- | MG RESISTOR | (Deletion) | 1 | 02 |
| 01 | R2215 | | NRSA63J-102X | ----- | MG RESISTOR | (Deletion) | 1 | 02 |
| 01 | R2301 | | NRSA63J-0R0X | ----- | MG RESISTOR | (Deletion) | 1 | 02,03 |
| 01 | R2302 | | NRSA63J-0R0X | ----- | MG RESISTOR | (Deletion) | 1 | 02,03 |
| 01 | R2305 | | NRSA63J-473X | ----- | MG RESISTOR | (Deletion) | 1 | 01,02,03 |
| 01 | R2305 | | ----- | NRSA63J-473X | MG RESISTOR | (Addition) | 1 | 01 |
| 01 | R2306 | | NRSA63J-473X | ----- | MG RESISTOR | (Deletion) | 1 | 01,02,03 |
| 01 | R2306 | | ----- | NRSA63J-473X | MG RESISTOR | (Addition) | 1 | 01 |
| 01 | R2309 | | NRSA63J-471X | ----- | MG RESISTOR | (Deletion) | 1 | 01,02,03 |
| 01 | R2309 | | ----- | NRSA63J-471X | MG RESISTOR | (Addition) | 1 | 01 |
| 01 | R2310 | | NRSA63J-473X | ----- | MG RESISTOR | (Deletion) | 1 | 01,02,03 |
| 01 | R2310 | | ----- | NRSA63J-473X | MG RESISTOR | (Addition) | 1 | 01 |
| 01 | R2311 | | NRSA63J-473X | ----- | MG RESISTOR | (Deletion) | 1 | 01,02,03 |
| 01 | R2311 | | ----- | NRSA63J-473X | MG RESISTOR | (Addition) | 1 | 01 |
| 01 | R2312 | | NRSA63J-222X | ----- | MG RESISTOR | (Deletion) | 1 | 01,02,03 |
| 01 | R2312 | | ----- | NRSA63J-222X | MG RESISTOR | (Addition) | 1 | 01 |
| 01 | R2313 | | NRSA63J-101X | ----- | MG RESISTOR | (Deletion) | 1 | 01,02,03 |
| 01 | R2313 | | ----- | NRSA63J-101X | MG RESISTOR | (Addition) | 1 | 01 |
| 01 | R2314 | | NRSA63J-101X | ----- | MG RESISTOR | (Deletion) | 1 | 01,02,03 |
| 01 | R2314 | | ----- | NRSA63J-101X | MG RESISTOR | (Addition) | 1 | 01 |
| 01 | R2316 | | NRSA63J-222X | ----- | MG RESISTOR | (Deletion) | 1 | 01,02,03 |
| 01 | R2316 | | ----- | NRSA63J-222X | MG RESISTOR | (Addition) | 1 | 01 |
| 01 | R2317 | | NRSA63J-473X | ----- | MG RESISTOR | (Deletion) | 1 | 01,02,03 |
| 01 | R2317 | | ----- | NRSA63J-473X | MG RESISTOR | (Addition) | 1 | 01 |
| 01 | R2318 | | NRSA63J-473X | ----- | MG RESISTOR | (Deletion) | 1 | 01,02,03 |
| 01 | R2318 | | ----- | NRSA63J-473X | MG RESISTOR | (Addition) | 1 | 01 |
| 01 | R2319 | | NRSA63J-102X | ----- | MG RESISTOR | (Deletion) | 1 | 01,02,03 |
| 01 | R2319 | | ----- | NRSA63J-102X | MG RESISTOR | (Addition) | 1 | 01 |
| 01 | R2320 | | NRSA63J-154X | ----- | MG RESISTOR | (Deletion) | 1 | 01,02,03 |
| 01 | R2320 | | ----- | NRSA63J-154X | MG RESISTOR | (Addition) | 1 | 01 |
| 01 | R2321 | | NRSA63J-822X | ----- | MG RESISTOR | (Deletion) | 1 | 01,02,03 |
| 01 | R2321 | | ----- | NRSA63J-822X | MG RESISTOR | (Addition) | 1 | 01 |
| 01 | R2323 | | NRSA63J-102X | ----- | MG RESISTOR | (Deletion) | 1 | 01,02,03 |
| 01 | R2323 | | ----- | NRSA63J-102X | MG RESISTOR | (Addition) | 1 | 01 |
| 01 | R2324 | | NRSA63J-473X | ----- | MG RESISTOR | (Deletion) | 1 | 01,02,03 |
| 01 | R2324 | | ----- | NRSA63J-473X | MG RESISTOR | (Addition) | 1 | 01 |
| 01 | R2325 | | NRSA63J-102X | ----- | MG RESISTOR | (Deletion) | 1 | 01,02,03 |
| 01 | R2325 | | ----- | NRSA63J-102X | MG RESISTOR | (Addition) | 1 | 01 |
| 01 | R2326 | | NRSA63J-221X | ----- | MG RESISTOR | (Deletion) | 1 | 01,02,03 |
| 01 | R2326 | | ----- | NRSA63J-221X | MG RESISTOR | (Addition) | 1 | 01 |
| 01 | R2327 | | NRSA63J-221X | ----- | MG RESISTOR | (Deletion) | 1 | 01,02,03 |
| 01 | R2327 | | ----- | NRSA63J-221X | MG RESISTOR | (Addition) | 1 | 01 |
| 01 | R2328 | | NRSA63J-473X | ----- | MG RESISTOR | (Deletion) | 1 | 01,02,03 |
| 01 | R2328 | | ----- | NRSA63J-473X | MG RESISTOR | (Addition) | 1 | 01 |
| 01 | R2329 | | NRSA63J-473X | ----- | MG RESISTOR | (Deletion) | 1 | 01,02,03 |
| 01 | R2329 | | ----- | NRSA63J-473X | MG RESISTOR | (Addition) | 1 | 01 |
| 01 | R2330 | | NRSA63J-473X | ----- | MG RESISTOR | (Deletion) | 1 | 01,02,03 |
| 01 | R2330 | | ----- | NRSA63J-473X | MG RESISTOR | (Addition) | 1 | 01 |
| 01 | R2331 | | NRSA63J-473X | ----- | MG RESISTOR | (Deletion) | 1 | 01,02,03 |
| 01 | R2331 | | ----- | NRSA63J-473X | MG RESISTOR | (Addition) | 1 | 01 |
| 01 | R2332 | | NRSA63J-102X | ----- | MG RESISTOR | (Deletion) | 1 | 01,02,03 |
| 01 | R2332 | | ----- | NRSA63J-102X | MG RESISTOR | (Addition) | 1 | 01 |
| 01 | R2333 | | NRSA63J-102X | ----- | MG RESISTOR | (Deletion) | 1 | 01,02,03 |
| 01 | R2333 | | ----- | NRSA63J-102X | MG RESISTOR | (Addition) | 1 | 01 |
| 01 | R2334 | | NRSA63J-102X | ----- | MG RESISTOR | (Deletion) | 1 | 01,02,03 |
| 01 | R2334 | | ----- | NRSA63J-102X | MG RESISTOR | (Addition) | 1 | 01 |
| 01 | R2335 | | NRSA63J-102X | ----- | MG RESISTOR | (Deletion) | 1 | 01,02,03 |

| △ | Symbol | or | Part No. | | Part Name | Description | Qty | Models |
|----|--------|----|--------------|--------------|-------------|-------------|-----|----------|
| | | | <Rev.001> | <Rev.002> | | | | |
| 01 | R2335 | | ----- | NRSA63J-102X | MG RESISTOR | (Addition) | 1 | 01 |
| 01 | R2336 | | NRSA63J-102X | ----- | MG RESISTOR | (Deletion) | 1 | 01,02,03 |
| 01 | R2336 | | ----- | NRSA63J-102X | MG RESISTOR | (Addition) | 1 | 01 |
| 01 | R2337 | | NRSA63J-102X | ----- | MG RESISTOR | (Deletion) | 1 | 01,02,03 |
| 01 | R2337 | | ----- | NRSA63J-102X | MG RESISTOR | (Addition) | 1 | 01 |
| 01 | R2338 | | NRSA63J-102X | ----- | MG RESISTOR | (Deletion) | 1 | 01,02,03 |
| 01 | R2338 | | ----- | NRSA63J-102X | MG RESISTOR | (Addition) | 1 | 01 |
| 01 | R2339 | | NRSA63J-221X | ----- | MG RESISTOR | (Deletion) | 1 | 01,02,03 |
| 01 | R2339 | | ----- | NRSA63J-221X | MG RESISTOR | (Addition) | 1 | 01 |
| 01 | R2340 | | NRSA63J-102X | ----- | MG RESISTOR | (Deletion) | 1 | 01,02,03 |
| 01 | R2340 | | ----- | NRSA63J-102X | MG RESISTOR | (Addition) | 1 | 01 |
| 01 | R2341 | | NRSA63J-221X | ----- | MG RESISTOR | (Deletion) | 1 | 01,02,03 |
| 01 | R2341 | | ----- | NRSA63J-221X | MG RESISTOR | (Addition) | 1 | 01 |
| 01 | R2342 | | NRSA63J-221X | ----- | MG RESISTOR | (Deletion) | 1 | 01,02,03 |
| 01 | R2342 | | ----- | NRSA63J-221X | MG RESISTOR | (Addition) | 1 | 01 |
| 01 | R2343 | | NRSA63J-221X | ----- | MG RESISTOR | (Deletion) | 1 | 01,02,03 |
| 01 | R2343 | | ----- | NRSA63J-221X | MG RESISTOR | (Addition) | 1 | 01 |
| 01 | R2344 | | NRSA63J-221X | ----- | MG RESISTOR | (Deletion) | 1 | 01,02,03 |
| 01 | R2344 | | ----- | NRSA63J-221X | MG RESISTOR | (Addition) | 1 | 01 |
| 01 | R2345 | | NRSA63J-221X | ----- | MG RESISTOR | (Deletion) | 1 | 01,02,03 |
| 01 | R2345 | | ----- | NRSA63J-221X | MG RESISTOR | (Addition) | 1 | 01 |
| 01 | R2346 | | NRSA63J-221X | ----- | MG RESISTOR | (Deletion) | 1 | 01,02,03 |
| 01 | R2346 | | ----- | NRSA63J-221X | MG RESISTOR | (Addition) | 1 | 01 |
| 01 | R2347 | | NRSA63J-221X | ----- | MG RESISTOR | (Deletion) | 1 | 01,02,03 |
| 01 | R2347 | | ----- | NRSA63J-221X | MG RESISTOR | (Addition) | 1 | 01 |
| 01 | R2348 | | NRSA63J-273X | ----- | MG RESISTOR | (Deletion) | 1 | 01,02,03 |
| 01 | R2348 | | ----- | NRSA63J-273X | MG RESISTOR | (Addition) | 1 | 01 |
| 01 | R2349 | | NRSA63J-100X | ----- | MG RESISTOR | (Deletion) | 1 | 01,02,03 |
| 01 | R2349 | | ----- | NRSA63J-100X | MG RESISTOR | (Addition) | 1 | 01 |
| 01 | R2401 | | NRSA63J-104X | ----- | MG RESISTOR | (Deletion) | 1 | 01,02,03 |
| 01 | R2401 | | ----- | NRSA63J-104X | MG RESISTOR | (Addition) | 1 | 01 |
| 01 | R2402 | | NRSA63J-222X | ----- | MG RESISTOR | (Deletion) | 1 | 01,02,03 |
| 01 | R2402 | | ----- | NRSA63J-222X | MG RESISTOR | (Addition) | 1 | 01 |
| 01 | R2403 | | NRSA63D-682X | ----- | MG RESISTOR | (Deletion) | 1 | 01,02,03 |
| 01 | R2403 | | ----- | NRSA63D-682X | MG RESISTOR | (Addition) | 1 | 01 |
| 01 | R2404 | | NRSA63D-222X | ----- | MG RESISTOR | (Deletion) | 1 | 01,02,03 |
| 01 | R2404 | | ----- | NRSA63D-222X | MG RESISTOR | (Addition) | 1 | 01 |
| 01 | R2501 | | NRSA63J-103X | ----- | MG RESISTOR | (Deletion) | 1 | 01,02,03 |
| 01 | R2501 | | ----- | NRSA63J-103X | MG RESISTOR | (Addition) | 1 | 01 |
| 01 | R2502 | | NRSA63J-101X | ----- | MG RESISTOR | (Deletion) | 1 | 01,02,03 |
| 01 | R2502 | | ----- | NRSA63J-101X | MG RESISTOR | (Addition) | 1 | 01 |
| 01 | R2503 | | NRSA63J-104X | ----- | MG RESISTOR | (Deletion) | 1 | 01,02,03 |
| 01 | R2503 | | ----- | NRSA63J-104X | MG RESISTOR | (Addition) | 1 | 01 |
| 01 | R2504 | | NRSA63J-0R0X | ----- | MG RESISTOR | (Deletion) | 1 | 01,02,03 |
| 01 | R2504 | | ----- | NRSA63J-0R0X | MG RESISTOR | (Addition) | 1 | 01 |
| 01 | R2505 | | NRSA63J-332X | ----- | MG RESISTOR | (Deletion) | 1 | 01,02,03 |
| 01 | R2505 | | ----- | NRSA63J-332X | MG RESISTOR | (Addition) | 1 | 01 |
| 01 | R2506 | | NRSA63J-332X | ----- | MG RESISTOR | (Deletion) | 1 | 01,02,03 |
| 01 | R2506 | | ----- | NRSA63J-332X | MG RESISTOR | (Addition) | 1 | 01 |
| 01 | R2507 | | NRSA63J-473X | ----- | MG RESISTOR | (Deletion) | 1 | 01,02,03 |
| 01 | R2507 | | ----- | NRSA63J-473X | MG RESISTOR | (Addition) | 1 | 01 |
| 01 | R2508 | | NRSA63J-273X | ----- | MG RESISTOR | (Deletion) | 1 | 01,02,03 |
| 01 | R2508 | | ----- | NRSA63J-273X | MG RESISTOR | (Addition) | 1 | 01 |
| 01 | R2509 | | NRSA63J-103X | ----- | MG RESISTOR | (Deletion) | 1 | 01,02,03 |
| 01 | R2509 | | ----- | NRSA63J-103X | MG RESISTOR | (Addition) | 1 | 01 |
| 01 | R2510 | | NRSA63J-224X | ----- | MG RESISTOR | (Deletion) | 1 | 01,02,03 |
| 01 | R2510 | | ----- | NRSA63J-224X | MG RESISTOR | (Addition) | 1 | 01 |
| 01 | R2511 | | NRSA63J-224X | ----- | MG RESISTOR | (Deletion) | 1 | 01,02,03 |
| 01 | R2511 | | ----- | NRSA63J-224X | MG RESISTOR | (Addition) | 1 | 01 |
| 01 | R2512 | | NRSA63J-101X | ----- | MG RESISTOR | (Deletion) | 1 | 01,02,03 |
| 01 | R2512 | | ----- | NRSA63J-101X | MG RESISTOR | (Addition) | 1 | 01 |
| 01 | R2513 | | NRSA63J-101X | ----- | MG RESISTOR | (Deletion) | 1 | 01,02,03 |
| 01 | R2513 | | ----- | NRSA63J-101X | MG RESISTOR | (Addition) | 1 | 01 |
| 01 | R2514 | | NRSA63J-101X | ----- | MG RESISTOR | (Deletion) | 1 | 01,02,03 |
| 01 | R2514 | | ----- | NRSA63J-101X | MG RESISTOR | (Addition) | 1 | 01 |
| 01 | R2515 | | NRSA63J-101X | ----- | MG RESISTOR | (Deletion) | 1 | 01,02,03 |
| 01 | R2515 | | ----- | NRSA63J-101X | MG RESISTOR | (Addition) | 1 | 01 |
| 01 | R2516 | | NRSA63J-101X | ----- | MG RESISTOR | (Deletion) | 1 | 01,02,03 |

| △ | Symbol | or | Part No. | | Part Name | Description | Qty | Models |
|----|--------|----|--------------|--------------|-------------|-------------|-----|----------|
| | | | <Rev.001> | <Rev.002> | | | | |
| 01 | R2551 | | NRSA63J-104X | ----- | MG RESISTOR | (Deletion) | 1 | 01,02,03 |
| 01 | R2551 | | ----- | NRSA63J-104X | MG RESISTOR | (Addition) | 1 | 01 |
| 01 | R2552 | | NRSA63J-473X | ----- | MG RESISTOR | (Deletion) | 1 | 01,02,03 |
| 01 | R2552 | | ----- | NRSA63J-473X | MG RESISTOR | (Addition) | 1 | 01 |
| 01 | R2553 | | NRSA63J-103X | ----- | MG RESISTOR | (Deletion) | 1 | 01,02,03 |
| 01 | R2553 | | ----- | NRSA63J-103X | MG RESISTOR | (Addition) | 1 | 01 |
| 01 | R2554 | | NRSA63J-472X | ----- | MG RESISTOR | (Deletion) | 1 | 01,02,03 |
| 01 | R2554 | | ----- | NRSA63J-472X | MG RESISTOR | (Addition) | 1 | 01 |
| 01 | R2555 | | NRSA63J-473X | ----- | MG RESISTOR | (Deletion) | 1 | 01,02,03 |
| 01 | R2555 | | ----- | NRSA63J-473X | MG RESISTOR | (Addition) | 1 | 01 |
| 01 | R2556 | | NRSA63J-273X | ----- | MG RESISTOR | (Deletion) | 1 | 01,02,03 |
| 01 | R2556 | | ----- | NRSA63J-273X | MG RESISTOR | (Addition) | 1 | 01 |
| 01 | R2557 | | NRSA63J-103X | ----- | MG RESISTOR | (Deletion) | 1 | 01,02,03 |
| 01 | R2557 | | ----- | NRSA63J-103X | MG RESISTOR | (Addition) | 1 | 01 |
| 01 | R2558 | | NRSA63J-472X | ----- | MG RESISTOR | (Deletion) | 1 | 01,02,03 |
| 01 | R2558 | | ----- | NRSA63J-472X | MG RESISTOR | (Addition) | 1 | 01 |
| 01 | R2559 | | NRSA63J-821X | ----- | MG RESISTOR | (Deletion) | 1 | 01,02,03 |
| 01 | R2559 | | ----- | NRSA63J-821X | MG RESISTOR | (Addition) | 1 | 01 |
| 01 | R2560 | | NRSA63J-182X | ----- | MG RESISTOR | (Deletion) | 1 | 01,02,03 |
| 01 | R2560 | | ----- | NRSA63J-182X | MG RESISTOR | (Addition) | 1 | 01 |
| 01 | R2561 | | NRSA63J-101X | ----- | MG RESISTOR | (Deletion) | 1 | 01,02,03 |
| 01 | R2561 | | ----- | NRSA63J-101X | MG RESISTOR | (Addition) | 1 | 01 |
| 01 | R2562 | | NRSA63J-101X | ----- | MG RESISTOR | (Deletion) | 1 | 01,02,03 |
| 01 | R2562 | | ----- | NRSA63J-101X | MG RESISTOR | (Addition) | 1 | 01 |
| 01 | R2563 | | NRSA63J-682X | ----- | MG RESISTOR | (Deletion) | 1 | 01,02,03 |
| 01 | R2563 | | ----- | NRSA63J-682X | MG RESISTOR | (Addition) | 1 | 01 |
| 01 | R2564 | | NRSA63J-682X | ----- | MG RESISTOR | (Deletion) | 1 | 01,02,03 |
| 01 | R2564 | | ----- | NRSA63J-682X | MG RESISTOR | (Addition) | 1 | 01 |
| 01 | R2801 | | NRSA63J-473X | ----- | MG RESISTOR | (Deletion) | 1 | 01,02,03 |
| 01 | R2801 | | ----- | NRSA63J-473X | MG RESISTOR | (Addition) | 1 | 01 |
| 01 | R2802 | | NRSA63J-222X | ----- | MG RESISTOR | (Deletion) | 1 | 01,02,03 |
| 01 | R2802 | | ----- | NRSA63J-222X | MG RESISTOR | (Addition) | 1 | 01 |
| 01 | R2803 | | NRSA63J-473X | ----- | MG RESISTOR | (Deletion) | 1 | 01,02,03 |
| 01 | R2803 | | ----- | NRSA63J-473X | MG RESISTOR | (Addition) | 1 | 01 |
| 01 | R2804 | | NRSA63J-473X | ----- | MG RESISTOR | (Deletion) | 1 | 01,02,03 |
| 01 | R2804 | | ----- | NRSA63J-473X | MG RESISTOR | (Addition) | 1 | 01 |
| 01 | R2805 | | NRSA63J-106X | ----- | MG RESISTOR | (Deletion) | 1 | 01,02,03 |
| 01 | R2805 | | ----- | NRSA63J-106X | MG RESISTOR | (Addition) | 1 | 01 |
| 01 | R2806 | | NRSA63J-0R0X | ----- | MG RESISTOR | (Deletion) | 1 | 01,02,03 |
| 01 | R2806 | | ----- | NRSA63J-0R0X | MG RESISTOR | (Addition) | 1 | 01 |
| 01 | R2807 | | NRSA63J-0R0X | ----- | MG RESISTOR | (Deletion) | 1 | 01,02,03 |
| 01 | R2807 | | ----- | NRSA63J-0R0X | MG RESISTOR | (Addition) | 1 | 01 |
| 01 | R2808 | | NRSA63J-106X | ----- | MG RESISTOR | (Deletion) | 1 | 01,02,03 |
| 01 | R2808 | | ----- | NRSA63J-106X | MG RESISTOR | (Addition) | 1 | 01 |
| 01 | R2809 | | NRSA63J-472X | ----- | MG RESISTOR | (Deletion) | 1 | 01,02,03 |
| 01 | R2809 | | ----- | NRSA63J-472X | MG RESISTOR | (Addition) | 1 | 01 |
| 01 | R2810 | | NRSA63J-472X | ----- | MG RESISTOR | (Deletion) | 1 | 01,02,03 |
| 01 | R2810 | | ----- | NRSA63J-472X | MG RESISTOR | (Addition) | 1 | 01 |
| 01 | R2811 | | NRSA63J-472X | ----- | MG RESISTOR | (Deletion) | 1 | 01,02,03 |
| 01 | R2811 | | ----- | NRSA63J-472X | MG RESISTOR | (Addition) | 1 | 01 |
| 01 | R2812 | | NRSA63J-472X | ----- | MG RESISTOR | (Deletion) | 1 | 01,02,03 |
| 01 | R2812 | | ----- | NRSA63J-472X | MG RESISTOR | (Addition) | 1 | 01 |
| 01 | R2813 | | NRSA63J-472X | ----- | MG RESISTOR | (Deletion) | 1 | 01,02,03 |
| 01 | R2813 | | ----- | NRSA63J-472X | MG RESISTOR | (Addition) | 1 | 01 |
| 01 | R2814 | | NRSA63J-472X | ----- | MG RESISTOR | (Deletion) | 1 | 01,02,03 |
| 01 | R2814 | | ----- | NRSA63J-472X | MG RESISTOR | (Addition) | 1 | 01 |
| 01 | R2817 | | NRSA63J-472X | ----- | MG RESISTOR | (Deletion) | 1 | 01,02,03 |
| 01 | R2817 | | ----- | NRSA63J-472X | MG RESISTOR | (Addition) | 1 | 01 |
| 01 | R2818 | | NRSA63J-472X | ----- | MG RESISTOR | (Deletion) | 1 | 01,02,03 |
| 01 | R2818 | | ----- | NRSA63J-472X | MG RESISTOR | (Addition) | 1 | 01 |
| 01 | R2821 | | NRSA63J-103X | ----- | MG RESISTOR | (Deletion) | 1 | 01,02,03 |
| 01 | R2821 | | ----- | NRSA63J-103X | MG RESISTOR | (Addition) | 1 | 01 |
| 01 | R2822 | | NRSA63J-104X | ----- | MG RESISTOR | (Deletion) | 1 | 01,02,03 |
| 01 | R2822 | | ----- | NRSA63J-104X | MG RESISTOR | (Addition) | 1 | 01 |
| 01 | R2823 | | NRSA63J-273X | ----- | MG RESISTOR | (Deletion) | 1 | 01,02,03 |
| 01 | R2823 | | ----- | NRSA63J-273X | MG RESISTOR | (Addition) | 1 | 01 |
| 01 | R2824 | | NRSA63J-473X | ----- | MG RESISTOR | (Deletion) | 1 | 01,02,03 |
| 01 | R2824 | | ----- | NRSA63J-473X | MG RESISTOR | (Addition) | 1 | 01 |

| △ | Symbol | or | Part No. | | Part Name | Description | Qty | Models |
|---|--------|-------|--------------|--------------|-------------|-------------|-----|----------|
| | | | <Rev.001> | <Rev.002> | | | | |
| | 01 | R2827 | NRSA63J-103X | ----- | MG RESISTOR | (Deletion) | 1 | 01,02,03 |
| | 01 | R2827 | ----- | NRSA63J-103X | MG RESISTOR | (Addition) | 1 | 01 |
| | 01 | R2828 | NRSA63J-101X | ----- | MG RESISTOR | (Deletion) | 1 | 01,02,03 |
| | 01 | R2828 | ----- | NRSA63J-101X | MG RESISTOR | (Addition) | 1 | 01 |
| | 01 | R2829 | NRSA63J-101X | ----- | MG RESISTOR | (Deletion) | 1 | 01,02,03 |
| | 01 | R2829 | ----- | NRSA63J-101X | MG RESISTOR | (Addition) | 1 | 01 |
| | 01 | R2830 | NRSA63J-473X | ----- | MG RESISTOR | (Deletion) | 1 | 01,02,03 |
| | 01 | R2830 | ----- | NRSA63J-473X | MG RESISTOR | (Addition) | 1 | 01 |
| | 01 | R2831 | NRSA63J-472X | ----- | MG RESISTOR | (Deletion) | 1 | 01,02,03 |
| | 01 | R2831 | ----- | NRSA63J-472X | MG RESISTOR | (Addition) | 1 | 01 |
| | 01 | R2832 | NRSA63J-472X | ----- | MG RESISTOR | (Deletion) | 1 | 01,02,03 |
| | 01 | R2832 | ----- | NRSA63J-472X | MG RESISTOR | (Addition) | 1 | 01 |
| | 01 | R2833 | NRSA63J-472X | ----- | MG RESISTOR | (Deletion) | 1 | 01,02,03 |
| | 01 | R2833 | ----- | NRSA63J-472X | MG RESISTOR | (Addition) | 1 | 01 |
| | 01 | R2834 | NRSA63J-472X | ----- | MG RESISTOR | (Deletion) | 1 | 01,02,03 |
| | 01 | R2834 | ----- | NRSA63J-472X | MG RESISTOR | (Addition) | 1 | 01 |
| | 01 | R2835 | NRSA63J-822X | ----- | MG RESISTOR | (Deletion) | 1 | 01,02,03 |
| | 01 | R2835 | ----- | NRSA63J-822X | MG RESISTOR | (Addition) | 1 | 01 |
| | 01 | R2836 | NRSA63D-472X | ----- | MG RESISTOR | (Deletion) | 1 | 01,02,03 |
| | 01 | R2836 | ----- | NRSA63D-472X | MG RESISTOR | (Addition) | 1 | 01 |
| | 01 | R2837 | NRSA63D-472X | ----- | MG RESISTOR | (Deletion) | 1 | 01,02,03 |
| | 01 | R2837 | ----- | NRSA63D-472X | MG RESISTOR | (Addition) | 1 | 01 |
| | 01 | R2838 | NRSA63D-472X | ----- | MG RESISTOR | (Deletion) | 1 | 02 |
| | 01 | R2839 | NRSA63D-243X | ----- | MG RESISTOR | (Deletion) | 1 | 01,02,03 |
| | 01 | R2839 | ----- | NRSA63D-243X | MG RESISTOR | (Addition) | 1 | 01 |
| | 01 | R2840 | NRSA63D-104X | ----- | MG RESISTOR | (Deletion) | 1 | 01,02,03 |
| | 01 | R2840 | ----- | NRSA63D-104X | MG RESISTOR | (Addition) | 1 | 01 |
| | 01 | R2843 | NRSA63J-472X | ----- | MG RESISTOR | (Deletion) | 1 | 01,02,03 |
| | 01 | R2843 | ----- | NRSA63J-472X | MG RESISTOR | (Addition) | 1 | 01 |
| | 01 | R2844 | NRSA63J-153X | ----- | MG RESISTOR | (Deletion) | 1 | 02 |
| | 01 | R2901 | NRSA63J-103X | ----- | MG RESISTOR | (Deletion) | 1 | 01,02,03 |
| | 01 | R2901 | ----- | NRSA63J-103X | MG RESISTOR | (Addition) | 1 | 01 |
| | 01 | R2902 | NRSA63J-472X | ----- | MG RESISTOR | (Deletion) | 1 | 01,02,03 |
| | 01 | R2902 | ----- | NRSA63J-472X | MG RESISTOR | (Addition) | 1 | 01 |
| | 01 | R2903 | NRSA63J-203X | ----- | MG RESISTOR | (Deletion) | 1 | 01,02,03 |
| | 01 | R2903 | ----- | NRSA63J-203X | MG RESISTOR | (Addition) | 1 | 01 |
| | 01 | R2904 | NRSA63J-473X | ----- | MG RESISTOR | (Deletion) | 1 | 01,02,03 |
| | 01 | R2904 | ----- | NRSA63J-473X | MG RESISTOR | (Addition) | 1 | 01 |
| | 01 | R2905 | NRSA63J-153X | ----- | MG RESISTOR | (Deletion) | 1 | 01,02,03 |
| | 01 | R2905 | ----- | NRSA63J-153X | MG RESISTOR | (Addition) | 1 | 01 |
| | 01 | R2906 | NRSA63J-473X | ----- | MG RESISTOR | (Deletion) | 1 | 01,02,03 |
| | 01 | R2906 | ----- | NRSA63J-473X | MG RESISTOR | (Addition) | 1 | 01 |
| | 01 | R2909 | NRS181J-332X | ----- | MG RESISTOR | (Deletion) | 1 | 01,02,03 |
| | 01 | R2909 | ----- | NRS181J-332X | MG RESISTOR | (Addition) | 1 | 01 |
| | 01 | L2101 | NQL093K-R22X | ----- | COIL | (Deletion) | 1 | 01,02,03 |
| | 01 | L2101 | ----- | NQL093K-R22X | COIL | (Addition) | 1 | 01 |
| | 01 | L2102 | NQL093K-4R7X | ----- | COIL | (Deletion) | 1 | 01,02,03 |
| | 01 | L2102 | ----- | NQL093K-4R7X | COIL | (Addition) | 1 | 01 |
| | 01 | L2103 | NQL093K-R47X | ----- | COIL | (Deletion) | 1 | 01,02,03 |
| | 01 | L2103 | ----- | NQL093K-R47X | COIL | (Addition) | 1 | 01 |
| | 01 | L2104 | NQL093K-1R8X | ----- | COIL | (Deletion) | 1 | 01,02,03 |
| | 01 | L2104 | ----- | NQL093K-1R8X | COIL | (Addition) | 1 | 01 |
| | 01 | L2105 | NQL093K-R47X | ----- | COIL | (Deletion) | 1 | 01,02,03 |
| | 01 | L2105 | ----- | NQL093K-R47X | COIL | (Addition) | 1 | 01 |
| | 01 | L2106 | NQL114K-561X | ----- | P COIL | (Deletion) | 1 | 01,02,03 |
| | 01 | L2106 | ----- | NQL114K-561X | P COIL | (Addition) | 1 | 01 |
| | 01 | L2107 | NQL114K-561X | ----- | P COIL | (Deletion) | 1 | 01,02,03 |
| | 01 | L2107 | ----- | NQL114K-561X | P COIL | (Addition) | 1 | 01 |
| | 01 | L2201 | NQL093K-2R7X | ----- | COIL | (Deletion) | 1 | 02 |
| | 01 | L2202 | NQL093K-R22X | ----- | COIL | (Deletion) | 1 | 02 |
| | 01 | L2501 | NQL79GM-4R7X | ----- | COIL | (Deletion) | 1 | 01,02,03 |
| | 01 | L2501 | ----- | NQL79GM-4R7X | COIL | (Addition) | 1 | 01 |
| | 01 | L2801 | NQL79GK-470X | ----- | COIL | (Deletion) | 1 | 01,02,03 |
| | 01 | L2801 | ----- | NQL79GK-470X | COIL | (Addition) | 1 | 01 |
| | 01 | L2901 | QQR0703-001 | ----- | CHOKE COIL | (Deletion) | 1 | 01,02,03 |
| | 01 | L2901 | ----- | QQR0703-001 | CHOKE COIL | (Addition) | 1 | 01 |
| | 01 | L2902 | NQL79GK-101X | ----- | COIL | (Deletion) | 1 | 01,02,03 |
| | 01 | L2902 | ----- | NQL79GK-101X | COIL | (Addition) | 1 | 01 |

| △ | Symbol | or | Part No. | | Part Name | Description | Qty | Models |
|----|--------|-------|----------------|----------------|----------------|-------------|-----|----------|
| | | | <Rev.001> | <Rev.002> | | | | |
| 01 | T2101 | | QQR1813-001 | ----- | COIL | (Deletion) | 1 | 01,02,03 |
| 01 | T2101 | | ----- | QQR1813-001 | COIL | (Addition) | 1 | 01 |
| 01 | T2201 | | QQR1813-001 | ----- | COIL | (Deletion) | 1 | 02 |
| 01 | BZ251 | | QAN0023-001Z | ----- | BUZZER | (Deletion) | 1 | 01,02,03 |
| 01 | BZ251 | | ----- | QAN0023-001Z | BUZZER | (Addition) | 1 | 01 |
| 01 | CN231 | | QGA2501C1-02 | ----- | CONNECTOR | (Deletion) | 1 | 01,02,03 |
| 01 | CN231 | | ----- | QGA2501C1-02 | CONNECTOR | (Addition) | 1 | 01 |
| 01 | CN241 | | QNZ0984-002 | ----- | CAR CONNECTOR | (Deletion) | 1 | 01,02,03 |
| 01 | CN241 | | ----- | QNZ0984-002 | CAR CONNECTOR | (Addition) | 1 | 01 |
| 01 | CN251 | | QGB1004K2-30W | ----- | CONNECTOR | (Deletion) | 1 | 01,02,03 |
| 01 | CN251 | | ----- | QGB1004K2-30W | CONNECTOR | (Addition) | 1 | 01 |
| 01 | CN252 | | QGB0815K1-60X | ----- | CONNECTOR | (Deletion) | 1 | 01,02,03 |
| 01 | CN252 | | ----- | QGB0815K1-60X | CONNECTOR | (Addition) | 1 | 01 |
| 01 | CN261 | | QGA1217C2-03X | ----- | CONNECTOR | (Deletion) | 1 | 02 |
| 01 | CN291 | | QNZ0090-001 | ----- | CAR CONNECTOR | (Deletion) | 1 | 01,02,03 |
| 01 | CN291 | | ----- | QNZ0090-001 | CAR CONNECTOR | (Addition) | 1 | 01 |
| 01 | CN481 | | QGA1217C2-03X | ----- | CONNECTOR | (Deletion) | 1 | 02 |
| 01 | EP201 | | NNZ0165-001X | ----- | EARTH TERMINAL | (Deletion) | 1 | 01,02,03 |
| 01 | EP201 | | ----- | NNZ0165-001X | EARTH TERMINAL | (Addition) | 1 | 01 |
| 01 | EP202 | | NNZ0165-001X | ----- | EARTH TERMINAL | (Deletion) | 1 | 01,02,03 |
| 01 | EP202 | | ----- | NNZ0165-001X | EARTH TERMINAL | (Addition) | 1 | 01 |
| 01 | EP203 | | NNZ0165-001X | ----- | EARTH TERMINAL | (Deletion) | 1 | 01,02,03 |
| 01 | EP203 | | ----- | NNZ0165-001X | EARTH TERMINAL | (Addition) | 1 | 01 |
| 01 | EP204 | | NNZ0165-001X | ----- | EARTH TERMINAL | (Deletion) | 1 | 01,02,03 |
| 01 | EP204 | | ----- | NNZ0165-001X | EARTH TERMINAL | (Addition) | 1 | 01 |
| 01 | EP205 | | NNZ0165-001X | ----- | EARTH TERMINAL | (Deletion) | 1 | 01,02,03 |
| 01 | EP205 | | ----- | NNZ0165-001X | EARTH TERMINAL | (Addition) | 1 | 01 |
| 01 | EP481 | | NNZ0165-001X | ----- | EARTH TERMINAL | (Deletion) | 1 | 02 |
| △ | 01 | F2901 | NMFZ018-5R0X-E | ----- | FUSE | (Deletion) | 1 | 01,02,03 |
| △ | 01 | F2901 | ----- | NMFZ018-5R0X-E | FUSE | (Addition) | 1 | 01 |
| △ | 01 | F2902 | NMFZ018-5R0X-E | ----- | FUSE | (Deletion) | 1 | 01,02,03 |
| △ | 01 | F2902 | ----- | NMFZ018-5R0X-E | FUSE | (Addition) | 1 | 01 |
| 01 | J2301 | | QNN0775-001 | ----- | PIN JACK | (Deletion) | 1 | 01,02,03 |
| 01 | J2301 | | ----- | QNN0775-001 | PIN JACK | (Addition) | 1 | 01 |
| 01 | K2401 | | NQR0201-004X | ----- | FERRITE BEADS | (Deletion) | 1 | 01,02,03 |
| 01 | K2401 | | ----- | NQR0201-004X | FERRITE BEADS | (Addition) | 1 | 01 |
| 01 | K2402 | | NQR0201-004X | ----- | FERRITE BEADS | (Deletion) | 1 | 01,02,03 |
| 01 | K2402 | | ----- | NQR0201-004X | FERRITE BEADS | (Addition) | 1 | 01 |
| 01 | K2403 | | NQR0389-001X | ----- | FERRITE BEADS | (Deletion) | 1 | 01,02,03 |
| 01 | K2403 | | ----- | NQR0389-001X | FERRITE BEADS | (Addition) | 1 | 01 |
| 01 | K2404 | | NQR0389-001X | ----- | FERRITE BEADS | (Deletion) | 1 | 01,02,03 |
| 01 | K2404 | | ----- | NQR0389-001X | FERRITE BEADS | (Addition) | 1 | 01 |
| 01 | PP1 | | QZW0010-001 | ----- | STYLE PIN | (Deletion) | 1 | 01,02,03 |
| 01 | PP1 | | ----- | QZW0010-001 | STYLE PIN | (Addition) | 1 | 01 |
| 01 | PP2 | | QZW0010-001 | ----- | STYLE PIN | (Deletion) | 1 | 01,02,03 |
| 01 | PP2 | | ----- | QZW0010-001 | STYLE PIN | (Addition) | 1 | 01 |
| 01 | TH201 | | NAD0028-103X | ----- | N THERMISTOR | (Deletion) | 1 | 01,02,03 |
| 01 | TH201 | | ----- | NAD0028-103X | N THERMISTOR | (Addition) | 1 | 01 |
| 01 | TH231 | | NAD0028-103X | ----- | N THERMISTOR | (Deletion) | 1 | 01,02,03 |
| 01 | TH231 | | ----- | NAD0028-103X | N THERMISTOR | (Addition) | 1 | 01 |
| 01 | W2101 | | QAM1233-001 | ----- | CAR CABLE | (Deletion) | 1 | 01,02,03 |
| 01 | W2101 | | ----- | QAM1233-001 | CAR CABLE | (Addition) | 1 | 01 |
| 01 | X2001 | | QAX0401-001 | ----- | CRYSTAL | (Deletion) | 1 | 01,02,03 |
| 01 | X2001 | | ----- | QAX0401-001 | CRYSTAL | (Addition) | 1 | 01 |
| 01 | X2002 | | NAX0981-001X | ----- | CRYSTAL | (Deletion) | 1 | 01,02,03 |
| 01 | X2002 | | ----- | NAX0981-001X | CRYSTAL | (Addition) | 1 | 01 |
| 01 | X2101 | | QAX0928-001Z | ----- | CRYSTAL | (Deletion) | 1 | 01,02,03 |
| 01 | X2101 | | ----- | QAX0928-001Z | CRYSTAL | (Addition) | 1 | 01 |
| 01 | X2102 | | QAX0263-001Z | ----- | CRYSTAL | (Deletion) | 1 | 02,03 |
| 01 | X2201 | | QAX0928-001Z | ----- | CRYSTAL | (Deletion) | 1 | 02 |

Old Sub board Old KW-NT1J [02]

| △ | Symbol | or | Part No. | | Part Name | Description | Qty | Models |
|----|--------|----|-------------|-------------|----------------|-------------|-----|----------|
| | | | <Rev.001> | <Rev.002> | | | | |
| 02 | IC311 | | JVM4152 | ----- | IC (PROGRAMED) | (Deletion) | 1 | 01,02,03 |
| 02 | IC311 | | ----- | JVM4152 | IC (PROGRAMED) | (Addition) | 1 | 01 |
| 02 | IC341 | | NJM2505AF-X | ----- | IC | (Deletion) | 1 | 01,02,03 |
| 02 | IC341 | | ----- | NJM2505AF-X | IC | (Addition) | 1 | 01 |

| △ | Symbol | or | Part No. | | Part Name | Description | Qty | Models |
|---|--------|-------|-----------------|-----------------|-----------------|-------------|-----|----------|
| | | | <Rev.001> | <Rev.002> | | | | |
| | 02 | IC342 | NJM2505AF-X | ----- | IC | (Deletion) | 1 | 01,02,03 |
| | 02 | IC342 | ----- | NJM2505AF-X | IC | (Addition) | 1 | 01 |
| | 02 | IC343 | NJM2535V-X | ----- | IC | (Deletion) | 1 | 01,02,03 |
| | 02 | IC343 | ----- | NJM2535V-X | IC | (Addition) | 1 | 01 |
| | 02 | IC344 | NJM2535V-X | ----- | IC | (Deletion) | 1 | 01,02,03 |
| | 02 | IC344 | ----- | NJM2535V-X | IC | (Addition) | 1 | 01 |
| | 02 | IC345 | NJM2561F1-X | ----- | IC | (Deletion) | 1 | 01,02,03 |
| | 02 | IC345 | ----- | NJM2561F1-X | IC | (Addition) | 1 | 01 |
| | 02 | IC351 | TOTX177L | ----- | OPT TRANSMITTER | (Deletion) | 1 | 01,02,03 |
| | 02 | IC351 | ----- | TOTX177L | OPT TRANSMITTER | (Addition) | 1 | 01 |
| | 02 | IC371 | BD9781HFP-W | ----- | IC | (Deletion) | 1 | 01,02,03 |
| | 02 | IC371 | ----- | BD9781HFP-W | IC | (Addition) | 1 | 01 |
| | 02 | IC372 | BD9781HFP-W | ----- | IC | (Deletion) | 1 | 01,02,03 |
| | 02 | IC372 | ----- | BD9781HFP-W | IC | (Addition) | 1 | 01 |
| | 02 | IC374 | LT1946AEMS8E-X | ----- | IC | (Deletion) | 1 | 01,02,03 |
| | 02 | IC374 | ----- | LT1946AEMS8E-X | IC | (Addition) | 1 | 01 |
| | 02 | IC381 | NJM4565E-X | ----- | IC | (Deletion) | 1 | 01,02,03 |
| | 02 | IC381 | ----- | NJM4565E-X | IC | (Addition) | 1 | 01 |
| | 02 | IC392 | NJM2732RB1-X | ----- | IC | (Deletion) | 1 | 02 |
| | 02 | Q3701 | 2SA812A/5-6/-X | ----- | TRANSISTOR | (Deletion) | 1 | 01,02,03 |
| | 02 | Q3701 | ----- | 2SA812A/5-6/-X | TRANSISTOR | (Addition) | 1 | 01 |
| | 02 | Q3702 | 2SC1623A/5-6/-X | ----- | TRANSISTOR | (Deletion) | 1 | 01,02,03 |
| | 02 | Q3702 | ----- | 2SC1623A/5-6/-X | TRANSISTOR | (Addition) | 1 | 01 |
| | 02 | Q3703 | 2SA812A/5-6/-X | ----- | TRANSISTOR | (Deletion) | 1 | 01,02,03 |
| | 02 | Q3703 | ----- | 2SA812A/5-6/-X | TRANSISTOR | (Addition) | 1 | 01 |
| | 02 | Q3901 | RT1N141C-X | ----- | DIGI TRANSISTOR | (Deletion) | 1 | 01,02,03 |
| | 02 | Q3901 | ----- | RT1N141C-X | DIGI TRANSISTOR | (Addition) | 1 | 01 |
| | 02 | Q3901 | or UN2211-X | ----- | TRANSISTOR | (Deletion) | 1 | 01,02,03 |
| | 02 | Q3901 | or ----- | UN2211-X | TRANSISTOR | (Addition) | 1 | 01 |
| | 02 | D3301 | MA8062/M/-X | ----- | Z DIODE | (Deletion) | 1 | 01,02,03 |
| | 02 | D3301 | ----- | MA8062/M/-X | Z DIODE | (Addition) | 1 | 01 |
| | 02 | D3302 | MA8062/M/-X | ----- | Z DIODE | (Deletion) | 1 | 01,02,03 |
| | 02 | D3302 | ----- | MA8062/M/-X | Z DIODE | (Addition) | 1 | 01 |
| | 02 | D3303 | MA8062/M/-X | ----- | Z DIODE | (Deletion) | 1 | 01,02,03 |
| | 02 | D3303 | ----- | MA8062/M/-X | Z DIODE | (Addition) | 1 | 01 |
| | 02 | D3304 | MA8062/M/-X | ----- | Z DIODE | (Deletion) | 1 | 01,02,03 |
| | 02 | D3304 | ----- | MA8062/M/-X | Z DIODE | (Addition) | 1 | 01 |
| | 02 | D3305 | MA8062/M/-X | ----- | Z DIODE | (Deletion) | 1 | 01,02,03 |
| | 02 | D3305 | ----- | MA8062/M/-X | Z DIODE | (Addition) | 1 | 01 |
| | 02 | D3306 | MA8062/M/-X | ----- | Z DIODE | (Deletion) | 1 | 01,02,03 |
| | 02 | D3306 | ----- | MA8062/M/-X | Z DIODE | (Addition) | 1 | 01 |
| | 02 | D3307 | MA8062/M/-X | ----- | Z DIODE | (Deletion) | 1 | 01,02,03 |
| | 02 | D3307 | ----- | MA8062/M/-X | Z DIODE | (Addition) | 1 | 01 |
| | 02 | D3308 | MA8062/M/-X | ----- | Z DIODE | (Deletion) | 1 | 01,02,03 |
| | 02 | D3308 | ----- | MA8062/M/-X | Z DIODE | (Addition) | 1 | 01 |
| | 02 | D3411 | MA111-X | ----- | SI DIODE | (Deletion) | 1 | 01,02,03 |
| | 02 | D3411 | ----- | MA111-X | SI DIODE | (Addition) | 1 | 01 |
| | 02 | D3412 | MA111-X | ----- | SI DIODE | (Deletion) | 1 | 01,02,03 |
| | 02 | D3412 | ----- | MA111-X | SI DIODE | (Addition) | 1 | 01 |
| | 02 | D3421 | MA111-X | ----- | SI DIODE | (Deletion) | 1 | 01,02,03 |
| | 02 | D3421 | ----- | MA111-X | SI DIODE | (Addition) | 1 | 01 |
| | 02 | D3422 | MA111-X | ----- | SI DIODE | (Deletion) | 1 | 01,02,03 |
| | 02 | D3422 | ----- | MA111-X | SI DIODE | (Addition) | 1 | 01 |
| | 02 | D3711 | MA24D50-X | ----- | DIODE | (Deletion) | 1 | 01,02,03 |
| | 02 | D3711 | ----- | MA24D50-X | DIODE | (Addition) | 1 | 01 |
| | 02 | D3721 | MA24D50-X | ----- | DIODE | (Deletion) | 1 | 01,02,03 |
| | 02 | D3721 | ----- | MA24D50-X | DIODE | (Addition) | 1 | 01 |
| | 02 | D3741 | MA8120/M/-X | ----- | Z DIODE | (Deletion) | 1 | 01,02,03 |
| | 02 | D3741 | ----- | MA8120/M/-X | Z DIODE | (Addition) | 1 | 01 |
| | 02 | D3742 | MA22D39-X | ----- | SB DIODE | (Deletion) | 1 | 01,02,03 |
| | 02 | D3742 | ----- | MA22D39-X | SB DIODE | (Addition) | 1 | 01 |
| | 02 | D3743 | MA8024-X | ----- | Z DIODE | (Deletion) | 1 | 01,02,03 |
| | 02 | D3743 | ----- | MA8024-X | Z DIODE | (Addition) | 1 | 01 |
| | 02 | D3744 | MA2SD31-X | ----- | SB DIODE | (Deletion) | 1 | 01,02,03 |
| | 02 | D3744 | ----- | MA2SD31-X | SB DIODE | (Addition) | 1 | 01 |
| | 02 | D3745 | MA2SD31-X | ----- | SB DIODE | (Deletion) | 1 | 01,02,03 |
| | 02 | D3745 | ----- | MA2SD31-X | SB DIODE | (Addition) | 1 | 01 |
| | 02 | D3746 | MA2SD31-X | ----- | SB DIODE | (Deletion) | 1 | 01,02,03 |

| △ | Symbol | or | Part No. | | Part Name | Description | Qty | Models |
|----|--------|----|----------------|----------------|-------------|-------------|-----|----------|
| | | | <Rev.001> | <Rev.002> | | | | |
| 02 | D3746 | | ----- | MA2SD31-X | SB DIODE | (Addition) | 1 | 01 |
| 02 | D3747 | | MA2SD31-X | ----- | SB DIODE | (Deletion) | 1 | 01,02,03 |
| 02 | D3747 | | ----- | MA2SD31-X | SB DIODE | (Addition) | 1 | 01 |
| 02 | D3748 | | MA8180/H/-X | ----- | Z DIODE | (Deletion) | 1 | 01,02,03 |
| 02 | D3748 | | ----- | MA8180/H/-X | Z DIODE | (Addition) | 1 | 01 |
| 02 | D3801 | | MA8110/M/-X | ----- | Z DIODE | (Deletion) | 1 | 01,02,03 |
| 02 | D3801 | | ----- | MA8110/M/-X | Z DIODE | (Addition) | 1 | 01 |
| 02 | D3802 | | MA8110/M/-X | ----- | Z DIODE | (Deletion) | 1 | 01,02,03 |
| 02 | D3802 | | ----- | MA8110/M/-X | Z DIODE | (Addition) | 1 | 01 |
| 02 | D3922 | | MA111-X | ----- | SI DIODE | (Deletion) | 1 | 02 |
| 02 | C3001 | | NDC31HJ-102X | ----- | C CAPACITOR | (Deletion) | 1 | 01,02,03 |
| 02 | C3001 | | ----- | NDC31HJ-102X | C CAPACITOR | (Addition) | 1 | 01 |
| 02 | C3002 | | NDC31HJ-102X | ----- | C CAPACITOR | (Deletion) | 1 | 01,02,03 |
| 02 | C3002 | | ----- | NDC31HJ-102X | C CAPACITOR | (Addition) | 1 | 01 |
| 02 | C3003 | | NDC31HJ-101X | ----- | C CAPACITOR | (Deletion) | 1 | 01,02,03 |
| 02 | C3003 | | ----- | NDC31HJ-101X | C CAPACITOR | (Addition) | 1 | 01 |
| 02 | C3004 | | NCB31CK-104X | ----- | C CAPACITOR | (Deletion) | 1 | 01,02,03 |
| 02 | C3004 | | ----- | NCB31CK-104X | C CAPACITOR | (Addition) | 1 | 01 |
| 02 | C3005 | | NCB31CK-104X | ----- | C CAPACITOR | (Deletion) | 1 | 01,02,03 |
| 02 | C3005 | | ----- | NCB31CK-104X | C CAPACITOR | (Addition) | 1 | 01 |
| 02 | C3006 | | NCB31CK-104X | ----- | C CAPACITOR | (Deletion) | 1 | 01,02,03 |
| 02 | C3006 | | ----- | NCB31CK-104X | C CAPACITOR | (Addition) | 1 | 01 |
| 02 | C3031 | | NCJ11EK-106X-R | ----- | C CAPACITOR | (Deletion) | 1 | 01,02,03 |
| 02 | C3031 | | ----- | NCJ11EK-106X-R | C CAPACITOR | (Addition) | 1 | 01 |
| 02 | C3032 | | NCJ11EK-106X-R | ----- | C CAPACITOR | (Deletion) | 1 | 01,02,03 |
| 02 | C3032 | | ----- | NCJ11EK-106X-R | C CAPACITOR | (Addition) | 1 | 01 |
| 02 | C3033 | | QEKJ1CM-107Z | ----- | E CAPACITOR | (Deletion) | 1 | 01,02,03 |
| 02 | C3033 | | ----- | QEKJ1CM-107Z | E CAPACITOR | (Addition) | 1 | 01 |
| 02 | C3034 | | NCJ11EK-106X-R | ----- | C CAPACITOR | (Deletion) | 1 | 01,02,03 |
| 02 | C3034 | | ----- | NCJ11EK-106X-R | C CAPACITOR | (Addition) | 1 | 01 |
| 02 | C3035 | | QEKJ1CM-107Z | ----- | E CAPACITOR | (Deletion) | 1 | 01,02,03 |
| 02 | C3035 | | ----- | QEKJ1CM-107Z | E CAPACITOR | (Addition) | 1 | 01 |
| 02 | C3036 | | NCJ11EK-106X-R | ----- | C CAPACITOR | (Deletion) | 1 | 01,02,03 |
| 02 | C3036 | | ----- | NCJ11EK-106X-R | C CAPACITOR | (Addition) | 1 | 01 |
| 02 | C3037 | | QEKJ1CM-107Z | ----- | E CAPACITOR | (Deletion) | 1 | 01,02,03 |
| 02 | C3037 | | ----- | QEKJ1CM-107Z | E CAPACITOR | (Addition) | 1 | 01 |
| 02 | C3038 | | NCJ11EK-106X-R | ----- | C CAPACITOR | (Deletion) | 1 | 01,02,03 |
| 02 | C3038 | | ----- | NCJ11EK-106X-R | C CAPACITOR | (Addition) | 1 | 01 |
| 02 | C3039 | | NCJ11EK-106X-R | ----- | C CAPACITOR | (Deletion) | 1 | 01,02,03 |
| 02 | C3039 | | ----- | NCJ11EK-106X-R | C CAPACITOR | (Addition) | 1 | 01 |
| 02 | C3040 | | NCJ11EK-106X-R | ----- | C CAPACITOR | (Deletion) | 1 | 01,02,03 |
| 02 | C3040 | | ----- | NCJ11EK-106X-R | C CAPACITOR | (Addition) | 1 | 01 |
| 02 | C3041 | | QEKJ1CM-107Z | ----- | E CAPACITOR | (Deletion) | 1 | 01,02,03 |
| 02 | C3041 | | ----- | QEKJ1CM-107Z | E CAPACITOR | (Addition) | 1 | 01 |
| 02 | C3042 | | NDC31HJ-471X | ----- | C CAPACITOR | (Deletion) | 1 | 01,02,03 |
| 02 | C3042 | | ----- | NDC31HJ-471X | C CAPACITOR | (Addition) | 1 | 01 |
| 02 | C3043 | | NCJ11EK-106X-R | ----- | C CAPACITOR | (Deletion) | 1 | 01,02,03 |
| 02 | C3043 | | ----- | NCJ11EK-106X-R | C CAPACITOR | (Addition) | 1 | 01 |
| 02 | C3045 | | QERF1EM-107Z | ----- | E CAPACITOR | (Deletion) | 1 | 01,02,03 |
| 02 | C3045 | | ----- | QERF1EM-107Z | E CAPACITOR | (Addition) | 1 | 01 |
| 02 | C3046 | | NCJ11EK-106X-R | ----- | C CAPACITOR | (Deletion) | 1 | 01,02,03 |
| 02 | C3046 | | ----- | NCJ11EK-106X-R | C CAPACITOR | (Addition) | 1 | 01 |
| 02 | C3101 | | QEKJ1CM-476Z | ----- | E CAPACITOR | (Deletion) | 1 | 01,02,03 |
| 02 | C3101 | | ----- | QEKJ1CM-476Z | E CAPACITOR | (Addition) | 1 | 01 |
| 02 | C3102 | | NCB31CK-104X | ----- | C CAPACITOR | (Deletion) | 1 | 01,02,03 |
| 02 | C3102 | | ----- | NCB31CK-104X | C CAPACITOR | (Addition) | 1 | 01 |
| 02 | C3105 | | NCB31CK-104X | ----- | C CAPACITOR | (Deletion) | 1 | 01,02,03 |
| 02 | C3105 | | ----- | NCB31CK-104X | C CAPACITOR | (Addition) | 1 | 01 |
| 02 | C3106 | | NCB31CK-104X | ----- | C CAPACITOR | (Deletion) | 1 | 01,02,03 |
| 02 | C3106 | | ----- | NCB31CK-104X | C CAPACITOR | (Addition) | 1 | 01 |
| 02 | C3213 | | QEKJ1CM-476Z | ----- | E CAPACITOR | (Deletion) | 1 | 01,02,03 |
| 02 | C3213 | | ----- | QEKJ1CM-476Z | E CAPACITOR | (Addition) | 1 | 01 |
| 02 | C3251 | | NCB31CK-104X | ----- | C CAPACITOR | (Deletion) | 1 | 01,02,03 |
| 02 | C3251 | | ----- | NCB31CK-104X | C CAPACITOR | (Addition) | 1 | 01 |
| 02 | C3301 | | NDC31HJ-470X | ----- | C CAPACITOR | (Deletion) | 1 | 01,02,03 |
| 02 | C3301 | | ----- | NDC31HJ-470X | C CAPACITOR | (Addition) | 1 | 01 |
| 02 | C3303 | | NDC31HJ-101X | ----- | C CAPACITOR | (Deletion) | 1 | 01,02,03 |
| 02 | C3303 | | ----- | NDC31HJ-101X | C CAPACITOR | (Addition) | 1 | 01 |

| △ | Symbol | or | Part No. | | Part Name | Description | Qty | Models |
|---|--------|-------|--------------|--------------|-------------|-------------|-----|----------|
| | | | <Rev.001> | <Rev.002> | | | | |
| | 02 | C3304 | NDC31HJ-101X | ----- | C CAPACITOR | (Deletion) | 1 | 01,02,03 |
| | 02 | C3304 | ----- | NDC31HJ-101X | C CAPACITOR | (Addition) | 1 | 01 |
| | 02 | C3305 | NCB31HK-473X | ----- | C CAPACITOR | (Deletion) | 1 | 01,02,03 |
| | 02 | C3305 | ----- | NCB31HK-473X | C CAPACITOR | (Addition) | 1 | 01 |
| | 02 | C3307 | NDC31HJ-470X | ----- | C CAPACITOR | (Deletion) | 1 | 01,02,03 |
| | 02 | C3307 | ----- | NDC31HJ-470X | C CAPACITOR | (Addition) | 1 | 01 |
| | 02 | C3308 | NDC31HJ-101X | ----- | C CAPACITOR | (Deletion) | 1 | 01,02,03 |
| | 02 | C3308 | ----- | NDC31HJ-101X | C CAPACITOR | (Addition) | 1 | 01 |
| | 02 | C3309 | NDC31HJ-101X | ----- | C CAPACITOR | (Deletion) | 1 | 02 |
| | 02 | C3310 | NDC31HJ-101X | ----- | C CAPACITOR | (Deletion) | 1 | 01,02,03 |
| | 02 | C3310 | ----- | NDC31HJ-101X | C CAPACITOR | (Addition) | 1 | 01 |
| | 02 | C3311 | NDC31HJ-471X | ----- | C CAPACITOR | (Deletion) | 1 | 01,02,03 |
| | 02 | C3311 | ----- | NDC31HJ-471X | C CAPACITOR | (Addition) | 1 | 01 |
| | 02 | C3411 | QEKJ1EM-106Z | ----- | E CAPACITOR | (Deletion) | 1 | 01,02,03 |
| | 02 | C3411 | ----- | QEKJ1EM-106Z | E CAPACITOR | (Addition) | 1 | 01 |
| | 02 | C3412 | QEKJ1EM-106Z | ----- | E CAPACITOR | (Deletion) | 1 | 01,02,03 |
| | 02 | C3412 | ----- | QEKJ1EM-106Z | E CAPACITOR | (Addition) | 1 | 01 |
| | 02 | C3413 | NCB31HK-102X | ----- | C CAPACITOR | (Deletion) | 1 | 01,02,03 |
| | 02 | C3413 | ----- | NCB31HK-102X | C CAPACITOR | (Addition) | 1 | 01 |
| | 02 | C3414 | QEKJ1CM-476Z | ----- | E CAPACITOR | (Deletion) | 1 | 01,02,03 |
| | 02 | C3414 | ----- | QEKJ1CM-476Z | E CAPACITOR | (Addition) | 1 | 01 |
| | 02 | C3415 | NCB31CK-104X | ----- | C CAPACITOR | (Deletion) | 1 | 01,02,03 |
| | 02 | C3415 | ----- | NCB31CK-104X | C CAPACITOR | (Addition) | 1 | 01 |
| | 02 | C3421 | QEKJ1EM-106Z | ----- | E CAPACITOR | (Deletion) | 1 | 01,02,03 |
| | 02 | C3421 | ----- | QEKJ1EM-106Z | E CAPACITOR | (Addition) | 1 | 01 |
| | 02 | C3422 | QEKJ1EM-106Z | ----- | E CAPACITOR | (Deletion) | 1 | 01,02,03 |
| | 02 | C3422 | ----- | QEKJ1EM-106Z | E CAPACITOR | (Addition) | 1 | 01 |
| | 02 | C3423 | NCB31HK-102X | ----- | C CAPACITOR | (Deletion) | 1 | 01,02,03 |
| | 02 | C3423 | ----- | NCB31HK-102X | C CAPACITOR | (Addition) | 1 | 01 |
| | 02 | C3425 | NCB31CK-104X | ----- | C CAPACITOR | (Deletion) | 1 | 01,02,03 |
| | 02 | C3425 | ----- | NCB31CK-104X | C CAPACITOR | (Addition) | 1 | 01 |
| | 02 | C3431 | NCB31CK-105X | ----- | C CAPACITOR | (Deletion) | 1 | 01,02,03 |
| | 02 | C3431 | ----- | NCB31CK-105X | C CAPACITOR | (Addition) | 1 | 01 |
| | 02 | C3432 | NCB31CK-105X | ----- | C CAPACITOR | (Deletion) | 1 | 01,02,03 |
| | 02 | C3432 | ----- | NCB31CK-105X | C CAPACITOR | (Addition) | 1 | 01 |
| | 02 | C3433 | NCB31CK-105X | ----- | C CAPACITOR | (Deletion) | 1 | 01,02,03 |
| | 02 | C3433 | ----- | NCB31CK-105X | C CAPACITOR | (Addition) | 1 | 01 |
| | 02 | C3435 | NCB31HK-104X | ----- | C CAPACITOR | (Deletion) | 1 | 01,02,03 |
| | 02 | C3435 | ----- | NCB31HK-104X | C CAPACITOR | (Addition) | 1 | 01 |
| | 02 | C3441 | NCB31CK-105X | ----- | C CAPACITOR | (Deletion) | 1 | 01,02,03 |
| | 02 | C3441 | ----- | NCB31CK-105X | C CAPACITOR | (Addition) | 1 | 01 |
| | 02 | C3442 | NCB31CK-105X | ----- | C CAPACITOR | (Deletion) | 1 | 01,02,03 |
| | 02 | C3442 | ----- | NCB31CK-105X | C CAPACITOR | (Addition) | 1 | 01 |
| | 02 | C3443 | NCB31CK-105X | ----- | C CAPACITOR | (Deletion) | 1 | 01,02,03 |
| | 02 | C3443 | ----- | NCB31CK-105X | C CAPACITOR | (Addition) | 1 | 01 |
| | 02 | C3444 | QEKJ1CM-476Z | ----- | E CAPACITOR | (Deletion) | 1 | 01,02,03 |
| | 02 | C3444 | ----- | QEKJ1CM-476Z | E CAPACITOR | (Addition) | 1 | 01 |
| | 02 | C3445 | NCB31HK-104X | ----- | C CAPACITOR | (Deletion) | 1 | 01,02,03 |
| | 02 | C3445 | ----- | NCB31HK-104X | C CAPACITOR | (Addition) | 1 | 01 |
| | 02 | C3451 | QEKJ0JM-337Z | ----- | E CAPACITOR | (Deletion) | 1 | 01,02,03 |
| | 02 | C3451 | ----- | QEKJ0JM-337Z | E CAPACITOR | (Addition) | 1 | 01 |
| | 02 | C3453 | NCB31CK-105X | ----- | C CAPACITOR | (Deletion) | 1 | 01,02,03 |
| | 02 | C3453 | ----- | NCB31CK-105X | C CAPACITOR | (Addition) | 1 | 01 |
| | 02 | C3454 | NCB31HK-104X | ----- | C CAPACITOR | (Deletion) | 1 | 01,02,03 |
| | 02 | C3454 | ----- | NCB31HK-104X | C CAPACITOR | (Addition) | 1 | 01 |
| | 02 | C3501 | QEKJ1CM-476Z | ----- | E CAPACITOR | (Deletion) | 1 | 01,02,03 |
| | 02 | C3501 | ----- | QEKJ1CM-476Z | E CAPACITOR | (Addition) | 1 | 01 |
| | 02 | C3504 | NCB31CK-104X | ----- | C CAPACITOR | (Deletion) | 1 | 01,02,03 |
| | 02 | C3504 | ----- | NCB31CK-104X | C CAPACITOR | (Addition) | 1 | 01 |
| | 02 | C3505 | QEKJ1CM-107Z | ----- | E CAPACITOR | (Deletion) | 1 | 01,02,03 |
| | 02 | C3505 | ----- | QEKJ1CM-107Z | E CAPACITOR | (Addition) | 1 | 01 |
| | 02 | C3507 | NCB31CK-104X | ----- | C CAPACITOR | (Deletion) | 1 | 01,02,03 |
| | 02 | C3507 | ----- | NCB31CK-104X | C CAPACITOR | (Addition) | 1 | 01 |
| | 02 | C3551 | QEKJ1EM-106Z | ----- | E CAPACITOR | (Deletion) | 1 | 01,02,03 |
| | 02 | C3551 | ----- | QEKJ1EM-106Z | E CAPACITOR | (Addition) | 1 | 01 |
| | 02 | C3552 | NCB31HK-103X | ----- | C CAPACITOR | (Deletion) | 1 | 01,02,03 |
| | 02 | C3552 | ----- | NCB31HK-103X | C CAPACITOR | (Addition) | 1 | 01 |
| | 02 | C3553 | NDC31HJ-101X | ----- | C CAPACITOR | (Deletion) | 1 | 01,02,03 |

| △ | Symbol | or | Part No. | | Part Name | Description | Qty | Models |
|----|--------|----|----------------|----------------|-------------|-------------|-----|----------|
| | | | <Rev.001> | <Rev.002> | | | | |
| 02 | C3553 | | ----- | NDC31HJ-101X | C CAPACITOR | (Addition) | 1 | 01 |
| 02 | C3701 | | QETN1EM-477Z | ----- | E CAPACITOR | (Deletion) | 1 | 01,02,03 |
| 02 | C3701 | | ----- | QETN1EM-477Z | E CAPACITOR | (Addition) | 1 | 01 |
| 02 | C3702 | | QERF1EM-107Z | ----- | E CAPACITOR | (Deletion) | 1 | 01,02,03 |
| 02 | C3702 | | ----- | QERF1EM-107Z | E CAPACITOR | (Addition) | 1 | 01 |
| 02 | C3703 | | NCJ11EK-106X-R | ----- | C CAPACITOR | (Deletion) | 1 | 01,02,03 |
| 02 | C3703 | | ----- | NCJ11EK-106X-R | C CAPACITOR | (Addition) | 1 | 01 |
| 02 | C3711 | | NCJ11EK-106X-R | ----- | C CAPACITOR | (Deletion) | 1 | 01,02,03 |
| 02 | C3711 | | ----- | NCJ11EK-106X-R | C CAPACITOR | (Addition) | 1 | 01 |
| 02 | C3712 | | QEKJ1CM-107Z | ----- | E CAPACITOR | (Deletion) | 1 | 01,02,03 |
| 02 | C3712 | | ----- | QEKJ1CM-107Z | E CAPACITOR | (Addition) | 1 | 01 |
| 02 | C3713 | | NCJ11EK-106X-R | ----- | C CAPACITOR | (Deletion) | 1 | 01,02,03 |
| 02 | C3713 | | ----- | NCJ11EK-106X-R | C CAPACITOR | (Addition) | 1 | 01 |
| 02 | C3714 | | NCB31CK-104X | ----- | C CAPACITOR | (Deletion) | 1 | 01,02,03 |
| 02 | C3714 | | ----- | NCB31CK-104X | C CAPACITOR | (Addition) | 1 | 01 |
| 02 | C3715 | | NCB31HK-472X | ----- | C CAPACITOR | (Deletion) | 1 | 01,02,03 |
| 02 | C3715 | | ----- | NCB31HK-472X | C CAPACITOR | (Addition) | 1 | 01 |
| 02 | C3721 | | NCJ11EK-106X-R | ----- | C CAPACITOR | (Deletion) | 1 | 01,02,03 |
| 02 | C3721 | | ----- | NCJ11EK-106X-R | C CAPACITOR | (Addition) | 1 | 01 |
| 02 | C3722 | | QEKJ1CM-107Z | ----- | E CAPACITOR | (Deletion) | 1 | 01,02,03 |
| 02 | C3722 | | ----- | QEKJ1CM-107Z | E CAPACITOR | (Addition) | 1 | 01 |
| 02 | C3723 | | NCJ11EK-106X-R | ----- | C CAPACITOR | (Deletion) | 1 | 01,02,03 |
| 02 | C3723 | | ----- | NCJ11EK-106X-R | C CAPACITOR | (Addition) | 1 | 01 |
| 02 | C3724 | | NCB31CK-104X | ----- | C CAPACITOR | (Deletion) | 1 | 01,02,03 |
| 02 | C3724 | | ----- | NCB31CK-104X | C CAPACITOR | (Addition) | 1 | 01 |
| 02 | C3725 | | NCB31HK-472X | ----- | C CAPACITOR | (Deletion) | 1 | 01,02,03 |
| 02 | C3725 | | ----- | NCB31HK-472X | C CAPACITOR | (Addition) | 1 | 01 |
| 02 | C3732 | | QEKJ1EM-106Z | ----- | E CAPACITOR | (Deletion) | 1 | 01,02,03 |
| 02 | C3732 | | ----- | QEKJ1EM-106Z | E CAPACITOR | (Addition) | 1 | 01 |
| 02 | C3741 | | NCB11EK-105X | ----- | C CAPACITOR | (Deletion) | 1 | 01,02,03 |
| 02 | C3741 | | ----- | NCB11EK-105X | C CAPACITOR | (Addition) | 1 | 01 |
| 02 | C3742 | | NCJ11EK-106X-R | ----- | C CAPACITOR | (Deletion) | 1 | 01,02,03 |
| 02 | C3742 | | ----- | NCJ11EK-106X-R | C CAPACITOR | (Addition) | 1 | 01 |
| 02 | C3743 | | NCB11EK-105X | ----- | C CAPACITOR | (Deletion) | 1 | 01,02,03 |
| 02 | C3743 | | ----- | NCB11EK-105X | C CAPACITOR | (Addition) | 1 | 01 |
| 02 | C3744 | | NDC31HJ-220X | ----- | C CAPACITOR | (Deletion) | 1 | 01,02,03 |
| 02 | C3744 | | ----- | NDC31HJ-220X | C CAPACITOR | (Addition) | 1 | 01 |
| 02 | C3745 | | NCB11EK-105X | ----- | C CAPACITOR | (Deletion) | 1 | 01,02,03 |
| 02 | C3745 | | ----- | NCB11EK-105X | C CAPACITOR | (Addition) | 1 | 01 |
| 02 | C3746 | | NCB11EK-105X | ----- | C CAPACITOR | (Deletion) | 1 | 01,02,03 |
| 02 | C3746 | | ----- | NCB11EK-105X | C CAPACITOR | (Addition) | 1 | 01 |
| 02 | C3747 | | NCB31HK-103X | ----- | C CAPACITOR | (Deletion) | 1 | 01,02,03 |
| 02 | C3747 | | ----- | NCB31HK-103X | C CAPACITOR | (Addition) | 1 | 01 |
| 02 | C3748 | | NCB11EK-105X | ----- | C CAPACITOR | (Deletion) | 1 | 01,02,03 |
| 02 | C3748 | | ----- | NCB11EK-105X | C CAPACITOR | (Addition) | 1 | 01 |
| 02 | C3749 | | NCJ11EK-106X-R | ----- | C CAPACITOR | (Deletion) | 1 | 01,02,03 |
| 02 | C3749 | | ----- | NCJ11EK-106X-R | C CAPACITOR | (Addition) | 1 | 01 |
| 02 | C3750 | | NCJ11EK-106X-R | ----- | C CAPACITOR | (Deletion) | 1 | 01,02,03 |
| 02 | C3750 | | ----- | NCJ11EK-106X-R | C CAPACITOR | (Addition) | 1 | 01 |
| 02 | C3751 | | NCB31HK-103X | ----- | C CAPACITOR | (Deletion) | 1 | 01,02,03 |
| 02 | C3751 | | ----- | NCB31HK-103X | C CAPACITOR | (Addition) | 1 | 01 |
| 02 | C3752 | | NCB31CK-105X | ----- | C CAPACITOR | (Deletion) | 1 | 01,02,03 |
| 02 | C3752 | | ----- | NCB31CK-105X | C CAPACITOR | (Addition) | 1 | 01 |
| 02 | C3753 | | NCJ11EK-106X-R | ----- | C CAPACITOR | (Deletion) | 1 | 01,02,03 |
| 02 | C3753 | | ----- | NCJ11EK-106X-R | C CAPACITOR | (Addition) | 1 | 01 |
| 02 | C3754 | | NCB11EK-105X | ----- | C CAPACITOR | (Deletion) | 1 | 01,02,03 |
| 02 | C3754 | | ----- | NCB11EK-105X | C CAPACITOR | (Addition) | 1 | 01 |
| 02 | C3755 | | NDC31HJ-471X | ----- | C CAPACITOR | (Deletion) | 1 | 01,02,03 |
| 02 | C3755 | | ----- | NDC31HJ-471X | C CAPACITOR | (Addition) | 1 | 01 |
| 02 | C3756 | | NCB31CK-105X | ----- | C CAPACITOR | (Deletion) | 1 | 01,02,03 |
| 02 | C3756 | | ----- | NCB31CK-105X | C CAPACITOR | (Addition) | 1 | 01 |
| 02 | C3802 | | NDC31HJ-101X | ----- | C CAPACITOR | (Deletion) | 1 | 01,02,03 |
| 02 | C3802 | | ----- | NDC31HJ-101X | C CAPACITOR | (Addition) | 1 | 01 |
| 02 | C3803 | | NCB31CK-105X | ----- | C CAPACITOR | (Deletion) | 1 | 01,02,03 |
| 02 | C3803 | | ----- | NCB31CK-105X | C CAPACITOR | (Addition) | 1 | 01 |
| 02 | C3804 | | NCB31CK-105X | ----- | C CAPACITOR | (Deletion) | 1 | 01,02,03 |
| 02 | C3804 | | ----- | NCB31CK-105X | C CAPACITOR | (Addition) | 1 | 01 |
| 02 | C3805 | | NDC31HJ-561X | ----- | C CAPACITOR | (Deletion) | 1 | 01,02,03 |

| △ | Symbol | or | Part No. | | Part Name | Description | Qty | Models |
|---|--------|-------|----------------|----------------|-------------|-------------|-----|----------|
| | | | <Rev.001> | <Rev.002> | | | | |
| | 02 | C3805 | ----- | NDC31HJ-561X | C CAPACITOR | (Addition) | 1 | 01 |
| | 02 | C3806 | QEKJ1CM-476Z | ----- | E CAPACITOR | (Deletion) | 1 | 01,02,03 |
| | 02 | C3806 | ----- | QEKJ1CM-476Z | E CAPACITOR | (Addition) | 1 | 01 |
| | 02 | C3807 | NCB31EK-333X | ----- | C CAPACITOR | (Deletion) | 1 | 01,02,03 |
| | 02 | C3807 | ----- | NCB31EK-333X | C CAPACITOR | (Addition) | 1 | 01 |
| | 02 | C3808 | NCB31EK-333X | ----- | C CAPACITOR | (Deletion) | 1 | 01,02,03 |
| | 02 | C3808 | ----- | NCB31EK-333X | C CAPACITOR | (Addition) | 1 | 01 |
| | 02 | C3809 | NCB31HK-104X | ----- | C CAPACITOR | (Deletion) | 1 | 01,02,03 |
| | 02 | C3809 | ----- | NCB31HK-104X | C CAPACITOR | (Addition) | 1 | 01 |
| | 02 | C3810 | NDC31HJ-561X | ----- | C CAPACITOR | (Deletion) | 1 | 01,02,03 |
| | 02 | C3810 | ----- | NDC31HJ-561X | C CAPACITOR | (Addition) | 1 | 01 |
| | 02 | C3811 | NCJ11EK-106X-R | ----- | C CAPACITOR | (Deletion) | 1 | 01,02,03 |
| | 02 | C3811 | ----- | NCJ11EK-106X-R | C CAPACITOR | (Addition) | 1 | 01 |
| | 02 | C3812 | NCB31CK-105X | ----- | C CAPACITOR | (Deletion) | 1 | 01,02,03 |
| | 02 | C3812 | ----- | NCB31CK-105X | C CAPACITOR | (Addition) | 1 | 01 |
| | 02 | C3813 | NCJ11EK-106X-R | ----- | C CAPACITOR | (Deletion) | 1 | 01,02,03 |
| | 02 | C3813 | ----- | NCJ11EK-106X-R | C CAPACITOR | (Addition) | 1 | 01 |
| | 02 | C3814 | NCB31HK-104X | ----- | C CAPACITOR | (Deletion) | 1 | 01,02,03 |
| | 02 | C3814 | ----- | NCB31HK-104X | C CAPACITOR | (Addition) | 1 | 01 |
| | 02 | C3911 | NCB31CK-104X | ----- | C CAPACITOR | (Deletion) | 1 | 01,02,03 |
| | 02 | C3911 | ----- | NCB31CK-104X | C CAPACITOR | (Addition) | 1 | 01 |
| | 02 | C3912 | NDC31HJ-101X | ----- | C CAPACITOR | (Deletion) | 1 | 01,02,03 |
| | 02 | C3912 | ----- | NDC31HJ-101X | C CAPACITOR | (Addition) | 1 | 01 |
| | 02 | C3921 | NDC31HJ-101X | ----- | C CAPACITOR | (Deletion) | 1 | 02 |
| | 02 | C3922 | NCB31HK-472X | ----- | C CAPACITOR | (Deletion) | 1 | 02 |
| | 02 | C3923 | NCB31HK-102X | ----- | C CAPACITOR | (Deletion) | 1 | 02 |
| | 02 | C3924 | NCB31HK-104X | ----- | C CAPACITOR | (Deletion) | 1 | 02 |
| | 02 | R3002 | NRSA63J-101X | ----- | MG RESISTOR | (Deletion) | 1 | 01,02,03 |
| | 02 | R3002 | ----- | NRSA63J-101X | MG RESISTOR | (Addition) | 1 | 01 |
| | 02 | R3003 | NRSA63J-101X | ----- | MG RESISTOR | (Deletion) | 1 | 01,02,03 |
| | 02 | R3003 | ----- | NRSA63J-101X | MG RESISTOR | (Addition) | 1 | 01 |
| | 02 | R3004 | NRSA63J-101X | ----- | MG RESISTOR | (Deletion) | 1 | 01,02,03 |
| | 02 | R3004 | ----- | NRSA63J-101X | MG RESISTOR | (Addition) | 1 | 01 |
| | 02 | R3005 | NRSA63J-101X | ----- | MG RESISTOR | (Deletion) | 1 | 01,02,03 |
| | 02 | R3005 | ----- | NRSA63J-101X | MG RESISTOR | (Addition) | 1 | 01 |
| | 02 | R3006 | NRSA63J-101X | ----- | MG RESISTOR | (Deletion) | 1 | 01,02,03 |
| | 02 | R3006 | ----- | NRSA63J-101X | MG RESISTOR | (Addition) | 1 | 01 |
| | 02 | R3007 | NRSA63J-101X | ----- | MG RESISTOR | (Deletion) | 1 | 01,02,03 |
| | 02 | R3007 | ----- | NRSA63J-101X | MG RESISTOR | (Addition) | 1 | 01 |
| | 02 | R3008 | NRSA63J-101X | ----- | MG RESISTOR | (Deletion) | 1 | 01,02,03 |
| | 02 | R3008 | ----- | NRSA63J-101X | MG RESISTOR | (Addition) | 1 | 01 |
| | 02 | R3009 | NRSA63J-101X | ----- | MG RESISTOR | (Deletion) | 1 | 01,02,03 |
| | 02 | R3009 | ----- | NRSA63J-101X | MG RESISTOR | (Addition) | 1 | 01 |
| | 02 | R3010 | NRSA63J-101X | ----- | MG RESISTOR | (Deletion) | 1 | 01,02,03 |
| | 02 | R3010 | ----- | NRSA63J-101X | MG RESISTOR | (Addition) | 1 | 01 |
| | 02 | R3011 | NRSA63J-101X | ----- | MG RESISTOR | (Deletion) | 1 | 01,02,03 |
| | 02 | R3011 | ----- | NRSA63J-101X | MG RESISTOR | (Addition) | 1 | 01 |
| | 02 | R3012 | NRSA63J-101X | ----- | MG RESISTOR | (Deletion) | 1 | 01,02,03 |
| | 02 | R3012 | ----- | NRSA63J-101X | MG RESISTOR | (Addition) | 1 | 01 |
| | 02 | R3013 | NRSA63J-101X | ----- | MG RESISTOR | (Deletion) | 1 | 01,02,03 |
| | 02 | R3013 | ----- | NRSA63J-101X | MG RESISTOR | (Addition) | 1 | 01 |
| | 02 | R3014 | NRSA63J-101X | ----- | MG RESISTOR | (Deletion) | 1 | 01,02,03 |
| | 02 | R3014 | ----- | NRSA63J-101X | MG RESISTOR | (Addition) | 1 | 01 |
| | 02 | R3015 | NRSA63J-101X | ----- | MG RESISTOR | (Deletion) | 1 | 01,02,03 |
| | 02 | R3015 | ----- | NRSA63J-101X | MG RESISTOR | (Addition) | 1 | 01 |
| | 02 | R3016 | NRSA63J-101X | ----- | MG RESISTOR | (Deletion) | 1 | 01,02,03 |
| | 02 | R3016 | ----- | NRSA63J-101X | MG RESISTOR | (Addition) | 1 | 01 |
| | 02 | R3017 | NRSA63J-101X | ----- | MG RESISTOR | (Deletion) | 1 | 01,02,03 |
| | 02 | R3017 | ----- | NRSA63J-101X | MG RESISTOR | (Addition) | 1 | 01 |
| | 02 | R3018 | NRSA63J-101X | ----- | MG RESISTOR | (Deletion) | 1 | 01,02,03 |
| | 02 | R3018 | ----- | NRSA63J-101X | MG RESISTOR | (Addition) | 1 | 01 |
| | 02 | R3019 | NRSA63J-101X | ----- | MG RESISTOR | (Deletion) | 1 | 01,02,03 |
| | 02 | R3019 | ----- | NRSA63J-101X | MG RESISTOR | (Addition) | 1 | 01 |
| | 02 | R3020 | NRSA63J-101X | ----- | MG RESISTOR | (Deletion) | 1 | 01,02,03 |
| | 02 | R3020 | ----- | NRSA63J-101X | MG RESISTOR | (Addition) | 1 | 01 |
| | 02 | R3021 | NRSA63J-101X | ----- | MG RESISTOR | (Deletion) | 1 | 01,02,03 |
| | 02 | R3021 | ----- | NRSA63J-101X | MG RESISTOR | (Addition) | 1 | 01 |
| | 02 | R3022 | NRSA63J-101X | ----- | MG RESISTOR | (Deletion) | 1 | 01,02,03 |

| △ | Symbol | or | Part No. | | Part Name | Description | Qty | Models |
|----|--------|----|--------------|--------------|-------------|-------------|-----|----------|
| | | | <Rev.001> | <Rev.002> | | | | |
| 02 | R3022 | | ----- | NRSA63J-101X | MG RESISTOR | (Addition) | 1 | 01 |
| 02 | R3023 | | NRSA63J-101X | ----- | MG RESISTOR | (Deletion) | 1 | 01,02,03 |
| 02 | R3023 | | ----- | NRSA63J-101X | MG RESISTOR | (Addition) | 1 | 01 |
| 02 | R3031 | | NRSA63J-101X | ----- | MG RESISTOR | (Deletion) | 1 | 01,02,03 |
| 02 | R3031 | | ----- | NRSA63J-101X | MG RESISTOR | (Addition) | 1 | 01 |
| 02 | R3032 | | NRSA63J-101X | ----- | MG RESISTOR | (Deletion) | 1 | 01,02,03 |
| 02 | R3032 | | ----- | NRSA63J-101X | MG RESISTOR | (Addition) | 1 | 01 |
| 02 | R3033 | | NRS125J-R22X | ----- | MG RESISTOR | (Deletion) | 1 | 01,02,03 |
| 02 | R3033 | | ----- | NRS125J-R22X | MG RESISTOR | (Addition) | 1 | 01 |
| 02 | R3034 | | NRS125J-R22X | ----- | MG RESISTOR | (Deletion) | 1 | 01,02,03 |
| 02 | R3034 | | ----- | NRS125J-R22X | MG RESISTOR | (Addition) | 1 | 01 |
| 02 | R3035 | | NRSA63J-104X | ----- | MG RESISTOR | (Deletion) | 1 | 01,02,03 |
| 02 | R3035 | | ----- | NRSA63J-104X | MG RESISTOR | (Addition) | 1 | 01 |
| 02 | R3036 | | NRSA63J-104X | ----- | MG RESISTOR | (Deletion) | 1 | 01,02,03 |
| 02 | R3036 | | ----- | NRSA63J-104X | MG RESISTOR | (Addition) | 1 | 01 |
| 02 | R3037 | | NRS125J-R22X | ----- | MG RESISTOR | (Deletion) | 1 | 01,02,03 |
| 02 | R3037 | | ----- | NRS125J-R22X | MG RESISTOR | (Addition) | 1 | 01 |
| 02 | R3038 | | NRS125J-R22X | ----- | MG RESISTOR | (Deletion) | 1 | 01,02,03 |
| 02 | R3038 | | ----- | NRS125J-R22X | MG RESISTOR | (Addition) | 1 | 01 |
| 02 | R3101 | | NRSA63J-0R0X | ----- | MG RESISTOR | (Deletion) | 1 | 01,02,03 |
| 02 | R3101 | | ----- | NRSA63J-0R0X | MG RESISTOR | (Addition) | 1 | 01 |
| 02 | R3102 | | NRSA63J-103X | ----- | MG RESISTOR | (Deletion) | 1 | 01,02,03 |
| 02 | R3102 | | ----- | NRSA63J-103X | MG RESISTOR | (Addition) | 1 | 01 |
| 02 | R3103 | | NRSA63J-0R0X | ----- | MG RESISTOR | (Deletion) | 1 | 01,02,03 |
| 02 | R3103 | | ----- | NRSA63J-0R0X | MG RESISTOR | (Addition) | 1 | 01 |
| 02 | R3104 | | NRSA63J-103X | ----- | MG RESISTOR | (Deletion) | 1 | 01,02,03 |
| 02 | R3104 | | ----- | NRSA63J-103X | MG RESISTOR | (Addition) | 1 | 01 |
| 02 | R3105 | | NRSA63J-102X | ----- | MG RESISTOR | (Deletion) | 1 | 01,02,03 |
| 02 | R3105 | | ----- | NRSA63J-102X | MG RESISTOR | (Addition) | 1 | 01 |
| 02 | R3109 | | NRSA63J-102X | ----- | MG RESISTOR | (Deletion) | 1 | 01,02,03 |
| 02 | R3109 | | ----- | NRSA63J-102X | MG RESISTOR | (Addition) | 1 | 01 |
| 02 | R3110 | | NRSA63J-103X | ----- | MG RESISTOR | (Deletion) | 1 | 01,02,03 |
| 02 | R3110 | | ----- | NRSA63J-103X | MG RESISTOR | (Addition) | 1 | 01 |
| 02 | R3111 | | NRSA63J-102X | ----- | MG RESISTOR | (Deletion) | 1 | 01,02,03 |
| 02 | R3111 | | ----- | NRSA63J-102X | MG RESISTOR | (Addition) | 1 | 01 |
| 02 | R3116 | | NRSA63J-103X | ----- | MG RESISTOR | (Deletion) | 1 | 01,02,03 |
| 02 | R3116 | | ----- | NRSA63J-103X | MG RESISTOR | (Addition) | 1 | 01 |
| 02 | R3117 | | NRSA63J-103X | ----- | MG RESISTOR | (Deletion) | 1 | 01,02,03 |
| 02 | R3117 | | ----- | NRSA63J-103X | MG RESISTOR | (Addition) | 1 | 01 |
| 02 | R3118 | | NRSA63J-102X | ----- | MG RESISTOR | (Deletion) | 1 | 01,02,03 |
| 02 | R3118 | | ----- | NRSA63J-102X | MG RESISTOR | (Addition) | 1 | 01 |
| 02 | R3124 | | NRSA63J-103X | ----- | MG RESISTOR | (Deletion) | 1 | 01,02,03 |
| 02 | R3124 | | ----- | NRSA63J-103X | MG RESISTOR | (Addition) | 1 | 01 |
| 02 | R3125 | | NRSA63J-101X | ----- | MG RESISTOR | (Deletion) | 1 | 01,02,03 |
| 02 | R3125 | | ----- | NRSA63J-101X | MG RESISTOR | (Addition) | 1 | 01 |
| 02 | R3126 | | NRSA63J-472X | ----- | MG RESISTOR | (Deletion) | 1 | 01,02,03 |
| 02 | R3126 | | ----- | NRSA63J-472X | MG RESISTOR | (Addition) | 1 | 01 |
| 02 | R3127 | | NRSA63J-102X | ----- | MG RESISTOR | (Deletion) | 1 | 01,02,03 |
| 02 | R3127 | | ----- | NRSA63J-102X | MG RESISTOR | (Addition) | 1 | 01 |
| 02 | R3128 | | NRSA63J-0R0X | ----- | MG RESISTOR | (Deletion) | 1 | 01,02,03 |
| 02 | R3128 | | ----- | NRSA63J-0R0X | MG RESISTOR | (Addition) | 1 | 01 |
| 02 | R3129 | | NRSA63J-103X | ----- | MG RESISTOR | (Deletion) | 1 | 01,02,03 |
| 02 | R3129 | | ----- | NRSA63J-103X | MG RESISTOR | (Addition) | 1 | 01 |
| 02 | R3130 | | NRSA63J-103X | ----- | MG RESISTOR | (Deletion) | 1 | 02,03 |
| 02 | R3131 | | NRSA63J-103X | ----- | MG RESISTOR | (Deletion) | 1 | 02,03 |
| 02 | R3132 | | NRSA63J-103X | ----- | MG RESISTOR | (Deletion) | 1 | 02,03 |
| 02 | R3134 | | NRSA63J-223X | ----- | MG RESISTOR | (Deletion) | 1 | 01,02,03 |
| 02 | R3134 | | ----- | NRSA63J-223X | MG RESISTOR | (Addition) | 1 | 01 |
| 02 | R3135 | | NRSA63J-101X | ----- | MG RESISTOR | (Deletion) | 1 | 01,02,03 |
| 02 | R3135 | | ----- | NRSA63J-101X | MG RESISTOR | (Addition) | 1 | 01 |
| 02 | R3136 | | NRSA63J-103X | ----- | MG RESISTOR | (Deletion) | 1 | 01,02,03 |
| 02 | R3136 | | ----- | NRSA63J-103X | MG RESISTOR | (Addition) | 1 | 01 |
| 02 | R3137 | | NRSA63J-103X | ----- | MG RESISTOR | (Deletion) | 1 | 01,02,03 |
| 02 | R3137 | | ----- | NRSA63J-103X | MG RESISTOR | (Addition) | 1 | 01 |
| 02 | R3251 | | NRS181J-0R0X | ----- | MG RESISTOR | (Deletion) | 1 | 01,02,03 |
| 02 | R3251 | | ----- | NRS181J-0R0X | MG RESISTOR | (Addition) | 1 | 01 |
| 02 | R3301 | | NRSA63J-750X | ----- | MG RESISTOR | (Deletion) | 1 | 01,02,03 |
| 02 | R3301 | | ----- | NRSA63J-750X | MG RESISTOR | (Addition) | 1 | 01 |

| △ | Symbol | or | Part No. | | Part Name | Description | Qty | Models |
|---|--------|-------|--------------|--------------|-------------|-------------|-----|----------|
| | | | <Rev.001> | <Rev.002> | | | | |
| | 02 | R3303 | NRSA63J-222X | ----- | MG RESISTOR | (Deletion) | 1 | 01,02,03 |
| | 02 | R3303 | ----- | NRSA63J-222X | MG RESISTOR | (Addition) | 1 | 01 |
| | 02 | R3304 | NRSA63J-222X | ----- | MG RESISTOR | (Deletion) | 1 | 01,02,03 |
| | 02 | R3304 | ----- | NRSA63J-222X | MG RESISTOR | (Addition) | 1 | 01 |
| | 02 | R3305 | NRSA63J-223X | ----- | MG RESISTOR | (Deletion) | 1 | 01,02,03 |
| | 02 | R3305 | ----- | NRSA63J-223X | MG RESISTOR | (Addition) | 1 | 01 |
| | 02 | R3306 | NRSA63J-223X | ----- | MG RESISTOR | (Deletion) | 1 | 01,02,03 |
| | 02 | R3306 | ----- | NRSA63J-223X | MG RESISTOR | (Addition) | 1 | 01 |
| | 02 | R3307 | NRSA63J-471X | ----- | MG RESISTOR | (Deletion) | 1 | 01,02,03 |
| | 02 | R3307 | ----- | NRSA63J-471X | MG RESISTOR | (Addition) | 1 | 01 |
| | 02 | R3308 | NRSA63J-0R0X | ----- | MG RESISTOR | (Deletion) | 1 | 01,02,03 |
| | 02 | R3308 | ----- | NRSA63J-0R0X | MG RESISTOR | (Addition) | 1 | 01 |
| | 02 | R3309 | NRSA63J-0R0X | ----- | MG RESISTOR | (Deletion) | 1 | 01,02,03 |
| | 02 | R3309 | ----- | NRSA63J-0R0X | MG RESISTOR | (Addition) | 1 | 01 |
| | 02 | R3310 | NRSA63J-0R0X | ----- | MG RESISTOR | (Deletion) | 1 | 01,02,03 |
| | 02 | R3310 | ----- | NRSA63J-0R0X | MG RESISTOR | (Addition) | 1 | 01 |
| | 02 | R3311 | NRSA63J-0R0X | ----- | MG RESISTOR | (Deletion) | 1 | 01,02,03 |
| | 02 | R3311 | ----- | NRSA63J-0R0X | MG RESISTOR | (Addition) | 1 | 01 |
| | 02 | R3312 | NRSA63J-0R0X | ----- | MG RESISTOR | (Deletion) | 1 | 01,02,03 |
| | 02 | R3312 | ----- | NRSA63J-0R0X | MG RESISTOR | (Addition) | 1 | 01 |
| | 02 | R3313 | NRSA63J-271X | ----- | MG RESISTOR | (Deletion) | 1 | 01,02,03 |
| | 02 | R3313 | ----- | NRSA63J-271X | MG RESISTOR | (Addition) | 1 | 01 |
| | 02 | R3314 | NRSA63J-101X | ----- | MG RESISTOR | (Deletion) | 1 | 02 |
| | 02 | R3315 | NRSA63J-101X | ----- | MG RESISTOR | (Deletion) | 1 | 01,02,03 |
| | 02 | R3315 | ----- | NRSA63J-101X | MG RESISTOR | (Addition) | 1 | 01 |
| | 02 | R3411 | NRSA63J-471X | ----- | MG RESISTOR | (Deletion) | 1 | 01,02,03 |
| | 02 | R3411 | ----- | NRSA63J-471X | MG RESISTOR | (Addition) | 1 | 01 |
| | 02 | R3412 | NRSA63J-471X | ----- | MG RESISTOR | (Deletion) | 1 | 01,02,03 |
| | 02 | R3412 | ----- | NRSA63J-471X | MG RESISTOR | (Addition) | 1 | 01 |
| | 02 | R3414 | NRSA63J-390X | ----- | MG RESISTOR | (Deletion) | 1 | 01,02,03 |
| | 02 | R3414 | ----- | NRSA63J-390X | MG RESISTOR | (Addition) | 1 | 01 |
| | 02 | R3421 | NRSA63J-471X | ----- | MG RESISTOR | (Deletion) | 1 | 01,02,03 |
| | 02 | R3421 | ----- | NRSA63J-471X | MG RESISTOR | (Addition) | 1 | 01 |
| | 02 | R3422 | NRSA63J-471X | ----- | MG RESISTOR | (Deletion) | 1 | 01,02,03 |
| | 02 | R3422 | ----- | NRSA63J-471X | MG RESISTOR | (Addition) | 1 | 01 |
| | 02 | R3424 | NRSA63J-390X | ----- | MG RESISTOR | (Deletion) | 1 | 01,02,03 |
| | 02 | R3424 | ----- | NRSA63J-390X | MG RESISTOR | (Addition) | 1 | 01 |
| | 02 | R3431 | NRSA63J-332X | ----- | MG RESISTOR | (Deletion) | 1 | 01,02,03 |
| | 02 | R3431 | ----- | NRSA63J-332X | MG RESISTOR | (Addition) | 1 | 01 |
| | 02 | R3432 | NRSA63J-181X | ----- | MG RESISTOR | (Deletion) | 1 | 01,02,03 |
| | 02 | R3432 | ----- | NRSA63J-181X | MG RESISTOR | (Addition) | 1 | 01 |
| | 02 | R3434 | NRSA63J-0R0X | ----- | MG RESISTOR | (Deletion) | 1 | 01,02,03 |
| | 02 | R3434 | ----- | NRSA63J-0R0X | MG RESISTOR | (Addition) | 1 | 01 |
| | 02 | R3451 | NRSA63J-0R0X | ----- | MG RESISTOR | (Deletion) | 1 | 01,02,03 |
| | 02 | R3451 | ----- | NRSA63J-0R0X | MG RESISTOR | (Addition) | 1 | 01 |
| | 02 | R3452 | NRSA63J-0R0X | ----- | MG RESISTOR | (Deletion) | 1 | 01,02,03 |
| | 02 | R3452 | ----- | NRSA63J-0R0X | MG RESISTOR | (Addition) | 1 | 01 |
| | 02 | R3504 | NRSA63J-473X | ----- | MG RESISTOR | (Deletion) | 1 | 01,02,03 |
| | 02 | R3504 | ----- | NRSA63J-473X | MG RESISTOR | (Addition) | 1 | 01 |
| | 02 | R3508 | NRSA63J-473X | ----- | MG RESISTOR | (Deletion) | 1 | 01,02,03 |
| | 02 | R3508 | ----- | NRSA63J-473X | MG RESISTOR | (Addition) | 1 | 01 |
| | 02 | R3510 | NRSA63J-473X | ----- | MG RESISTOR | (Deletion) | 1 | 01,02,03 |
| | 02 | R3510 | ----- | NRSA63J-473X | MG RESISTOR | (Addition) | 1 | 01 |
| | 02 | R3513 | NRSA63J-473X | ----- | MG RESISTOR | (Deletion) | 1 | 01,02,03 |
| | 02 | R3513 | ----- | NRSA63J-473X | MG RESISTOR | (Addition) | 1 | 01 |
| | 02 | R3515 | NRSA63J-473X | ----- | MG RESISTOR | (Deletion) | 1 | 01,02,03 |
| | 02 | R3515 | ----- | NRSA63J-473X | MG RESISTOR | (Addition) | 1 | 01 |
| | 02 | R3516 | NRSA63J-0R0X | ----- | MG RESISTOR | (Deletion) | 1 | 01,02,03 |
| | 02 | R3516 | ----- | NRSA63J-0R0X | MG RESISTOR | (Addition) | 1 | 01 |
| | 02 | R3517 | NRSA63J-0R0X | ----- | MG RESISTOR | (Deletion) | 1 | 01,02,03 |
| | 02 | R3517 | ----- | NRSA63J-0R0X | MG RESISTOR | (Addition) | 1 | 01 |
| | 02 | R3518 | NRSA63J-224X | ----- | MG RESISTOR | (Deletion) | 1 | 01,02,03 |
| | 02 | R3518 | ----- | NRSA63J-224X | MG RESISTOR | (Addition) | 1 | 01 |
| | 02 | R3519 | NRSA63J-224X | ----- | MG RESISTOR | (Deletion) | 1 | 01,02,03 |
| | 02 | R3519 | ----- | NRSA63J-224X | MG RESISTOR | (Addition) | 1 | 01 |
| | 02 | R3551 | NRSA63J-0R0X | ----- | MG RESISTOR | (Deletion) | 1 | 01,02,03 |
| | 02 | R3551 | ----- | NRSA63J-0R0X | MG RESISTOR | (Addition) | 1 | 01 |
| | 02 | R3711 | NRSA63D-224X | ----- | MG RESISTOR | (Deletion) | 1 | 01,02,03 |

| △ | Symbol | or | Part No. | | Part Name | Description | Qty | Models |
|----|--------|----|--------------|--------------|-------------|-------------|-----|----------|
| | | | <Rev.001> | <Rev.002> | | | | |
| 02 | R3711 | | ----- | NRSA63D-224X | MG RESISTOR | (Addition) | 1 | 01 |
| 02 | R3712 | | NRSA63J-154X | ----- | MG RESISTOR | (Deletion) | 1 | 01,02,03 |
| 02 | R3712 | | ----- | NRSA63J-154X | MG RESISTOR | (Addition) | 1 | 01 |
| 02 | R3713 | | NRSA63D-623X | ----- | MG RESISTOR | (Deletion) | 1 | 01,02,03 |
| 02 | R3713 | | ----- | NRSA63D-623X | MG RESISTOR | (Addition) | 1 | 01 |
| 02 | R3714 | | NRSA63D-224X | ----- | MG RESISTOR | (Deletion) | 1 | 01,02,03 |
| 02 | R3714 | | ----- | NRSA63D-224X | MG RESISTOR | (Addition) | 1 | 01 |
| 02 | R3715 | | NRSA63D-103X | ----- | MG RESISTOR | (Deletion) | 1 | 01,02,03 |
| 02 | R3715 | | ----- | NRSA63D-103X | MG RESISTOR | (Addition) | 1 | 01 |
| 02 | R3721 | | NRSA63D-224X | ----- | MG RESISTOR | (Deletion) | 1 | 01,02,03 |
| 02 | R3721 | | ----- | NRSA63D-224X | MG RESISTOR | (Addition) | 1 | 01 |
| 02 | R3722 | | NRSA63J-154X | ----- | MG RESISTOR | (Deletion) | 1 | 01,02,03 |
| 02 | R3722 | | ----- | NRSA63J-154X | MG RESISTOR | (Addition) | 1 | 01 |
| 02 | R3723 | | NRSA63D-243X | ----- | MG RESISTOR | (Deletion) | 1 | 01,02,03 |
| 02 | R3723 | | ----- | NRSA63D-243X | MG RESISTOR | (Addition) | 1 | 01 |
| 02 | R3725 | | NRSA63D-103X | ----- | MG RESISTOR | (Deletion) | 1 | 01,02,03 |
| 02 | R3725 | | ----- | NRSA63D-103X | MG RESISTOR | (Addition) | 1 | 01 |
| 02 | R3741 | | NRSA63J-154X | ----- | MG RESISTOR | (Deletion) | 1 | 01,02,03 |
| 02 | R3741 | | ----- | NRSA63J-154X | MG RESISTOR | (Addition) | 1 | 01 |
| 02 | R3742 | | NRSA63J-473X | ----- | MG RESISTOR | (Deletion) | 1 | 01,02,03 |
| 02 | R3742 | | ----- | NRSA63J-473X | MG RESISTOR | (Addition) | 1 | 01 |
| 02 | R3743 | | NRSA63J-104X | ----- | MG RESISTOR | (Deletion) | 1 | 01,02,03 |
| 02 | R3743 | | ----- | NRSA63J-104X | MG RESISTOR | (Addition) | 1 | 01 |
| 02 | R3744 | | NRSA63J-682X | ----- | MG RESISTOR | (Deletion) | 1 | 01,02,03 |
| 02 | R3744 | | ----- | NRSA63J-682X | MG RESISTOR | (Addition) | 1 | 01 |
| 02 | R3745 | | NRSA63D-184X | ----- | MG RESISTOR | (Deletion) | 1 | 01,02,03 |
| 02 | R3745 | | ----- | NRSA63D-184X | MG RESISTOR | (Addition) | 1 | 01 |
| 02 | R3746 | | NRSA63D-203X | ----- | MG RESISTOR | (Deletion) | 1 | 01,02,03 |
| 02 | R3746 | | ----- | NRSA63D-203X | MG RESISTOR | (Addition) | 1 | 01 |
| 02 | R3747 | | NRSA63J-331X | ----- | MG RESISTOR | (Deletion) | 1 | 01,02,03 |
| 02 | R3747 | | ----- | NRSA63J-331X | MG RESISTOR | (Addition) | 1 | 01 |
| 02 | R3748 | | NRSA63J-104X | ----- | MG RESISTOR | (Deletion) | 1 | 01,02,03 |
| 02 | R3748 | | ----- | NRSA63J-104X | MG RESISTOR | (Addition) | 1 | 01 |
| 02 | R3749 | | NRSA63J-102X | ----- | MG RESISTOR | (Deletion) | 1 | 01,02,03 |
| 02 | R3749 | | ----- | NRSA63J-102X | MG RESISTOR | (Addition) | 1 | 01 |
| 02 | R3750 | | NRSA63J-0R0X | ----- | MG RESISTOR | (Deletion) | 1 | 01,02,03 |
| 02 | R3750 | | ----- | NRSA63J-0R0X | MG RESISTOR | (Addition) | 1 | 01 |
| 02 | R3751 | | NRSA63J-202X | ----- | MG RESISTOR | (Deletion) | 1 | 01,02,03 |
| 02 | R3751 | | ----- | NRSA63J-202X | MG RESISTOR | (Addition) | 1 | 01 |
| 02 | R3752 | | NRSA63J-223X | ----- | MG RESISTOR | (Deletion) | 1 | 01,02,03 |
| 02 | R3752 | | ----- | NRSA63J-223X | MG RESISTOR | (Addition) | 1 | 01 |
| 02 | R3753 | | NRSA63J-562X | ----- | MG RESISTOR | (Deletion) | 1 | 01,02,03 |
| 02 | R3753 | | ----- | NRSA63J-562X | MG RESISTOR | (Addition) | 1 | 01 |
| 02 | R3801 | | NRSA63J-122X | ----- | MG RESISTOR | (Deletion) | 1 | 01,02,03 |
| 02 | R3801 | | ----- | NRSA63J-122X | MG RESISTOR | (Addition) | 1 | 01 |
| 02 | R3802 | | NRSA63J-122X | ----- | MG RESISTOR | (Deletion) | 1 | 01,02,03 |
| 02 | R3802 | | ----- | NRSA63J-122X | MG RESISTOR | (Addition) | 1 | 01 |
| 02 | R3803 | | NRSA63J-333X | ----- | MG RESISTOR | (Deletion) | 1 | 01,02,03 |
| 02 | R3803 | | ----- | NRSA63J-333X | MG RESISTOR | (Addition) | 1 | 01 |
| 02 | R3804 | | NRSA63J-822X | ----- | MG RESISTOR | (Deletion) | 1 | 01,02,03 |
| 02 | R3804 | | ----- | NRSA63J-822X | MG RESISTOR | (Addition) | 1 | 01 |
| 02 | R3805 | | NRSA63J-822X | ----- | MG RESISTOR | (Deletion) | 1 | 01,02,03 |
| 02 | R3805 | | ----- | NRSA63J-822X | MG RESISTOR | (Addition) | 1 | 01 |
| 02 | R3806 | | NRSA63J-223X | ----- | MG RESISTOR | (Deletion) | 1 | 01,02,03 |
| 02 | R3806 | | ----- | NRSA63J-223X | MG RESISTOR | (Addition) | 1 | 01 |
| 02 | R3807 | | NRSA63J-223X | ----- | MG RESISTOR | (Deletion) | 1 | 01,02,03 |
| 02 | R3807 | | ----- | NRSA63J-223X | MG RESISTOR | (Addition) | 1 | 01 |
| 02 | R3808 | | NRSA63J-333X | ----- | MG RESISTOR | (Deletion) | 1 | 01,02,03 |
| 02 | R3808 | | ----- | NRSA63J-333X | MG RESISTOR | (Addition) | 1 | 01 |
| 02 | R3809 | | NRSA63J-822X | ----- | MG RESISTOR | (Deletion) | 1 | 01,02,03 |
| 02 | R3809 | | ----- | NRSA63J-822X | MG RESISTOR | (Addition) | 1 | 01 |
| 02 | R3810 | | NRSA63J-333X | ----- | MG RESISTOR | (Deletion) | 1 | 01,02,03 |
| 02 | R3810 | | ----- | NRSA63J-333X | MG RESISTOR | (Addition) | 1 | 01 |
| 02 | R3811 | | NRSA63J-100X | ----- | MG RESISTOR | (Deletion) | 1 | 01,02,03 |
| 02 | R3811 | | ----- | NRSA63J-100X | MG RESISTOR | (Addition) | 1 | 01 |
| 02 | R3812 | | NRSA63J-680X | ----- | MG RESISTOR | (Deletion) | 1 | 01,02,03 |
| 02 | R3812 | | ----- | NRSA63J-680X | MG RESISTOR | (Addition) | 1 | 01 |
| 02 | R3813 | | NRSA63J-680X | ----- | MG RESISTOR | (Deletion) | 1 | 01,02,03 |

| △ | Symbol | or | Part No. | | Part Name | Description | Qty | Models |
|---|--------|-------|----------------|----------------|-----------------|-------------|-----|----------|
| | | | <Rev.001> | <Rev.002> | | | | |
| | 02 | R3813 | ----- | NRSA63J-680X | MG RESISTOR | (Addition) | 1 | 01 |
| | 02 | R3911 | NRSA63J-0R0X | ----- | MG RESISTOR | (Deletion) | 1 | 01,02,03 |
| | 02 | R3911 | ----- | NRSA63J-0R0X | MG RESISTOR | (Addition) | 1 | 01 |
| | 02 | R3912 | NRSA63J-103X | ----- | MG RESISTOR | (Deletion) | 1 | 01,02,03 |
| | 02 | R3912 | ----- | NRSA63J-103X | MG RESISTOR | (Addition) | 1 | 01 |
| | 02 | R3914 | NRSA63J-473X | ----- | MG RESISTOR | (Deletion) | 1 | 01,02,03 |
| | 02 | R3914 | ----- | NRSA63J-473X | MG RESISTOR | (Addition) | 1 | 01 |
| | 02 | R3921 | NRSA63J-513X | ----- | MG RESISTOR | (Deletion) | 1 | 02 |
| | 02 | R3922 | NRSA63J-513X | ----- | MG RESISTOR | (Deletion) | 1 | 02 |
| | 02 | R3923 | NRSA63J-513X | ----- | MG RESISTOR | (Deletion) | 1 | 02 |
| | 02 | R3924 | NRSA63J-683X | ----- | MG RESISTOR | (Deletion) | 1 | 02 |
| | 02 | R3925 | NRSA63J-683X | ----- | MG RESISTOR | (Deletion) | 1 | 02 |
| | 02 | R3926 | NRSA63J-103X | ----- | MG RESISTOR | (Deletion) | 1 | 02 |
| | 02 | R3927 | NRSA63J-513X | ----- | MG RESISTOR | (Deletion) | 1 | 02 |
| | 02 | R3928 | NRSA63J-563X | ----- | MG RESISTOR | (Deletion) | 1 | 02 |
| | 02 | R3929 | NRSA63J-683X | ----- | MG RESISTOR | (Deletion) | 1 | 02 |
| | 02 | R3930 | NRSA63J-104X | ----- | MG RESISTOR | (Deletion) | 1 | 02 |
| | 02 | R3931 | NRSA63J-822X | ----- | MG RESISTOR | (Deletion) | 1 | 02 |
| | 02 | RA341 | NRZ0065-301X | ----- | MG.RES C.M | (Deletion) | 1 | 01,02,03 |
| | 02 | RA341 | ----- | NRZ0065-301X | MG.RES C.M | (Addition) | 1 | 01 |
| | 02 | RA342 | NRZ0065-301X | ----- | MG.RES C.M | (Deletion) | 1 | 01,02,03 |
| | 02 | RA342 | ----- | NRZ0065-301X | MG.RES C.M | (Addition) | 1 | 01 |
| | 02 | L3101 | NQL79GK-100X | ----- | COIL | (Deletion) | 1 | 01,02,03 |
| | 02 | L3101 | ----- | NQL79GK-100X | COIL | (Addition) | 1 | 01 |
| | 02 | L3401 | NQL79GK-470X | ----- | COIL | (Deletion) | 1 | 01,02,03 |
| | 02 | L3401 | ----- | NQL79GK-470X | COIL | (Addition) | 1 | 01 |
| | 02 | L3701 | NQLC8CN-4R9X | ----- | COIL | (Deletion) | 1 | 01,02,03 |
| | 02 | L3701 | ----- | NQLC8CN-4R9X | COIL | (Addition) | 1 | 01 |
| | 02 | L3711 | NQL71EM-330X | ----- | COIL | (Deletion) | 1 | 01,02,03 |
| | 02 | L3711 | ----- | NQL71EM-330X | COIL | (Addition) | 1 | 01 |
| | 02 | L3721 | NQL71EM-330X | ----- | COIL | (Deletion) | 1 | 01,02,03 |
| | 02 | L3721 | ----- | NQL71EM-330X | COIL | (Addition) | 1 | 01 |
| | 02 | L3741 | NQL79GK-100X | ----- | COIL | (Deletion) | 1 | 01,02,03 |
| | 02 | L3741 | ----- | NQL79GK-100X | COIL | (Addition) | 1 | 01 |
| | 02 | L3742 | NQLZ007-4R7X | ----- | COIL | (Deletion) | 1 | 01,02,03 |
| | 02 | L3742 | ----- | NQLZ007-4R7X | COIL | (Addition) | 1 | 01 |
| | 02 | L3743 | NQL79GK-470X | ----- | COIL | (Deletion) | 1 | 01,02,03 |
| | 02 | L3743 | ----- | NQL79GK-470X | COIL | (Addition) | 1 | 01 |
| | 02 | L3801 | NQL79GK-470X | ----- | COIL | (Deletion) | 1 | 01,02,03 |
| | 02 | L3801 | ----- | NQL79GK-470X | COIL | (Addition) | 1 | 01 |
| | 02 | CN301 | QGB0815K1-60X | ----- | CONNECTOR | (Deletion) | 1 | 01,02,03 |
| | 02 | CN301 | ----- | QGB0815K1-60X | CONNECTOR | (Addition) | 1 | 01 |
| | 02 | CN302 | QGB1004K2-30W | ----- | CONNECTOR | (Deletion) | 1 | 01,02,03 |
| | 02 | CN302 | ----- | QGB1004K2-30W | CONNECTOR | (Addition) | 1 | 01 |
| | 02 | CN325 | QGA2001C7-02X | ----- | CONNECTOR | (Deletion) | 1 | 01,02,03 |
| | 02 | CN325 | ----- | QGA2001C7-02X | CONNECTOR | (Addition) | 1 | 01 |
| | 02 | CN331 | QGA2015F1-14 | ----- | CONNECTOR | (Deletion) | 1 | 01,02,03 |
| | 02 | CN331 | ----- | QGA2015F1-14 | CONNECTOR | (Addition) | 1 | 01 |
| | 02 | CN351 | QGB2027M4-30S | ----- | CONNECTOR | (Deletion) | 1 | 01,02,03 |
| | 02 | CN351 | ----- | QGB2027M4-30S | CONNECTOR | (Addition) | 1 | 01 |
| | 02 | EP301 | NNZ0165-001X | ----- | EARTH TERMINAL | (Deletion) | 1 | 01,02,03 |
| | 02 | EP301 | ----- | NNZ0165-001X | EARTH TERMINAL | (Addition) | 1 | 01 |
| | 02 | EP302 | NNZ0165-001X | ----- | EARTH TERMINAL | (Deletion) | 1 | 01,02,03 |
| | 02 | EP302 | ----- | NNZ0165-001X | EARTH TERMINAL | (Addition) | 1 | 01 |
| | 02 | EP303 | NNZ0165-001X | ----- | EARTH TERMINAL | (Deletion) | 1 | 01,02,03 |
| | 02 | EP303 | ----- | NNZ0165-001X | EARTH TERMINAL | (Addition) | 1 | 01 |
| | 02 | EP304 | NNZ0165-001X | ----- | EARTH TERMINAL | (Deletion) | 1 | 01,02,03 |
| | 02 | EP304 | ----- | NNZ0165-001X | EARTH TERMINAL | (Addition) | 1 | 01 |
| | 02 | EP305 | NNZ0165-001X | ----- | EARTH TERMINAL | (Deletion) | 1 | 01,02,03 |
| | 02 | EP305 | ----- | NNZ0165-001X | EARTH TERMINAL | (Addition) | 1 | 01 |
| △ | 02 | F3001 | NMFZ018-R75X-E | ----- | FUSE | (Deletion) | 1 | 01,02,03 |
| △ | 02 | F3001 | ----- | NMFZ018-R75X-E | FUSE | (Addition) | 1 | 01 |
| △ | 02 | F3031 | NMFZ018-4R0X-E | ----- | FUSE | (Deletion) | 1 | 01,02,03 |
| △ | 02 | F3031 | ----- | NMFZ018-4R0X-E | FUSE | (Addition) | 1 | 01 |
| △ | 02 | F3032 | NMFZ018-4R0X-E | ----- | FUSE | (Deletion) | 1 | 01,02,03 |
| △ | 02 | F3032 | ----- | NMFZ018-4R0X-E | FUSE | (Addition) | 1 | 01 |
| | 02 | J3801 | QNS0283-001 | ----- | STEERING REMOTE | (Deletion) | 1 | 01,02,03 |
| | 02 | J3801 | ----- | QNS0283-001 | STEERING REMOTE | (Addition) | 1 | 01 |

| △ | Symbol | or | Part No. | | Part Name | Description | Qty | Models |
|---|----------|----|--------------|--------------|---------------|-------------|-----|----------|
| | | | <Rev.001> | <Rev.002> | | | | |
| | 02 K3001 | | NQR0201-004X | ----- | FERRITE BEADS | (Deletion) | 1 | 01,02,03 |
| | 02 K3001 | | ----- | NQR0201-004X | FERRITE BEADS | (Addition) | 1 | 01 |
| | 02 K3002 | | NQR0201-004X | ----- | FERRITE BEADS | (Deletion) | 1 | 01,02,03 |
| | 02 K3002 | | ----- | NQR0201-004X | FERRITE BEADS | (Addition) | 1 | 01 |
| | 02 K3551 | | NQR0022-005X | ----- | FERRITE BEADS | (Deletion) | 1 | 01,02,03 |
| | 02 K3551 | | ----- | NQR0022-005X | FERRITE BEADS | (Addition) | 1 | 01 |
| | 02 K3801 | | NRSA63J-0R0X | ----- | MG RESISTOR | (Deletion) | 1 | 01,02,03 |
| | 02 K3801 | | ----- | NRSA63J-0R0X | MG RESISTOR | (Addition) | 1 | 01 |
| | 02 K3802 | | NRSA63J-0R0X | ----- | MG RESISTOR | (Deletion) | 1 | 01,02,03 |
| | 02 K3802 | | ----- | NRSA63J-0R0X | MG RESISTOR | (Addition) | 1 | 01 |
| | 02 PP3 | | QZW0010-001 | ----- | STYLE PIN | (Deletion) | 1 | 01,02,03 |
| | 02 PP3 | | ----- | QZW0010-001 | STYLE PIN | (Addition) | 1 | 01 |
| | 02 S3001 | | NSW0126-001X | ----- | DETECT SWITCH | (Deletion) | 1 | 01,02,03 |
| | 02 S3001 | | ----- | NSW0126-001X | DETECT SWITCH | (Addition) | 1 | 01 |

Old Detach board Old KW-NT1J [03]

| △ | Symbol | or | Part No. | | Part Name | Description | Qty | Models |
|---|----------|----|-----------------|-----------------|------------|-------------|-----|----------|
| | | | <Rev.001> | <Rev.002> | | | | |
| | 03 IC401 | | RUQ050N02-W | ----- | MOS FET | (Deletion) | 1 | 01,02,03 |
| | 03 IC401 | | ----- | RUQ050N02-W | MOS FET | (Addition) | 1 | 01 |
| | 03 IC451 | | BA00CC0WFP-X | ----- | IC | (Deletion) | 1 | 01,02,03 |
| | 03 IC451 | | ----- | BA00CC0WFP-X | IC | (Addition) | 1 | 01 |
| | 03 IC452 | | BA00CC0WFP-X | ----- | IC | (Deletion) | 1 | 01,02,03 |
| | 03 IC452 | | ----- | BA00CC0WFP-X | IC | (Addition) | 1 | 01 |
| | 03 IC453 | | NJM4580E-X | ----- | IC | (Deletion) | 1 | 01,02,03 |
| | 03 IC453 | | ----- | NJM4580E-X | IC | (Addition) | 1 | 01 |
| | 03 Q451 | | 2SC1623A/5-6/-X | ----- | TRANSISTOR | (Deletion) | 1 | 01,02,03 |
| | 03 Q451 | | ----- | 2SC1623A/5-6/-X | TRANSISTOR | (Addition) | 1 | 01 |
| | 03 D401 | | MA8062/M/-X | ----- | Z DIODE | (Deletion) | 1 | 01,02,03 |
| | 03 D401 | | ----- | MA8062/M/-X | Z DIODE | (Addition) | 1 | 01 |
| | 03 D402 | | MA8062/M/-X | ----- | Z DIODE | (Deletion) | 1 | 01,02,03 |
| | 03 D402 | | ----- | MA8062/M/-X | Z DIODE | (Addition) | 1 | 01 |
| | 03 D403 | | MA8062/M/-X | ----- | Z DIODE | (Deletion) | 1 | 01,02,03 |
| | 03 D403 | | ----- | MA8062/M/-X | Z DIODE | (Addition) | 1 | 01 |
| | 03 D404 | | MA8062/M/-X | ----- | Z DIODE | (Deletion) | 1 | 01,02,03 |
| | 03 D404 | | ----- | MA8062/M/-X | Z DIODE | (Addition) | 1 | 01 |
| | 03 D405 | | MA8062/M/-X | ----- | Z DIODE | (Deletion) | 1 | 01,02,03 |
| | 03 D405 | | ----- | MA8062/M/-X | Z DIODE | (Addition) | 1 | 01 |
| | 03 D406 | | MA8062/M/-X | ----- | Z DIODE | (Deletion) | 1 | 01,02,03 |
| | 03 D406 | | ----- | MA8062/M/-X | Z DIODE | (Addition) | 1 | 01 |
| | 03 D407 | | MA8062/M/-X | ----- | Z DIODE | (Deletion) | 1 | 01,02,03 |
| | 03 D407 | | ----- | MA8062/M/-X | Z DIODE | (Addition) | 1 | 01 |
| | 03 D408 | | MA8062/M/-X | ----- | Z DIODE | (Deletion) | 1 | 01,02,03 |
| | 03 D408 | | ----- | MA8062/M/-X | Z DIODE | (Addition) | 1 | 01 |
| | 03 D409 | | MA8062/M/-X | ----- | Z DIODE | (Deletion) | 1 | 01,02,03 |
| | 03 D409 | | ----- | MA8062/M/-X | Z DIODE | (Addition) | 1 | 01 |
| | 03 D410 | | MA8062/M/-X | ----- | Z DIODE | (Deletion) | 1 | 01,02,03 |
| | 03 D410 | | ----- | MA8062/M/-X | Z DIODE | (Addition) | 1 | 01 |
| | 03 D411 | | MA8062/M/-X | ----- | Z DIODE | (Deletion) | 1 | 01,02,03 |
| | 03 D411 | | ----- | MA8062/M/-X | Z DIODE | (Addition) | 1 | 01 |
| | 03 D412 | | MA8062/M/-X | ----- | Z DIODE | (Deletion) | 1 | 01,02,03 |
| | 03 D412 | | ----- | MA8062/M/-X | Z DIODE | (Addition) | 1 | 01 |
| | 03 D413 | | MA8062/M/-X | ----- | Z DIODE | (Deletion) | 1 | 01,02,03 |
| | 03 D413 | | ----- | MA8062/M/-X | Z DIODE | (Addition) | 1 | 01 |
| | 03 D414 | | MA8062/M/-X | ----- | Z DIODE | (Deletion) | 1 | 01,02,03 |
| | 03 D414 | | ----- | MA8062/M/-X | Z DIODE | (Addition) | 1 | 01 |
| | 03 D415 | | MA8062/M/-X | ----- | Z DIODE | (Deletion) | 1 | 01,02,03 |
| | 03 D415 | | ----- | MA8062/M/-X | Z DIODE | (Addition) | 1 | 01 |
| | 03 D416 | | MA8062/M/-X | ----- | Z DIODE | (Deletion) | 1 | 01,02,03 |
| | 03 D416 | | ----- | MA8062/M/-X | Z DIODE | (Addition) | 1 | 01 |
| | 03 D417 | | MA8062/M/-X | ----- | Z DIODE | (Deletion) | 1 | 01,02,03 |
| | 03 D417 | | ----- | MA8062/M/-X | Z DIODE | (Addition) | 1 | 01 |
| | 03 D418 | | MA8062/M/-X | ----- | Z DIODE | (Deletion) | 1 | 01,02,03 |
| | 03 D418 | | ----- | MA8062/M/-X | Z DIODE | (Addition) | 1 | 01 |
| | 03 D419 | | MA8062/M/-X | ----- | Z DIODE | (Deletion) | 1 | 01,02,03 |
| | 03 D419 | | ----- | MA8062/M/-X | Z DIODE | (Addition) | 1 | 01 |
| | 03 D420 | | MA8062/M/-X | ----- | Z DIODE | (Deletion) | 1 | 01,02,03 |
| | 03 D420 | | ----- | MA8062/M/-X | Z DIODE | (Addition) | 1 | 01 |

| △ | Symbol | or | Part No. | | Part Name | Description | Qty | Models |
|---|--------|-------|-----------------|-----------------|-------------|-------------|-----|----------|
| | | | <Rev.001> | <Rev.002> | | | | |
| | 03 | D421 | MA8062/M/-X | ----- | Z DIODE | (Deletion) | 1 | 01,02,03 |
| | 03 | D421 | ----- | MA8062/M/-X | Z DIODE | (Addition) | 1 | 01 |
| | 03 | D422 | MA8062/M/-X | ----- | Z DIODE | (Deletion) | 1 | 01,02,03 |
| | 03 | D422 | ----- | MA8062/M/-X | Z DIODE | (Addition) | 1 | 01 |
| | 03 | D423 | MA8062/M/-X | ----- | Z DIODE | (Deletion) | 1 | 01,02,03 |
| | 03 | D423 | ----- | MA8062/M/-X | Z DIODE | (Addition) | 1 | 01 |
| | 03 | D451 | CRS03-W | ----- | SB DIODE | (Deletion) | 1 | 01,02,03 |
| | 03 | D451 | ----- | CRS03-W | SB DIODE | (Addition) | 1 | 01 |
| | 03 | D452 | CRS03-W | ----- | SB DIODE | (Deletion) | 1 | 01,02,03 |
| | 03 | D452 | ----- | CRS03-W | SB DIODE | (Addition) | 1 | 01 |
| | 03 | D453 | CRS03-W | ----- | SB DIODE | (Deletion) | 1 | 01,02,03 |
| | 03 | D453 | ----- | CRS03-W | SB DIODE | (Addition) | 1 | 01 |
| | 03 | D454 | MA8056/H/-X | ----- | Z DIODE | (Deletion) | 1 | 01,02,03 |
| | 03 | D454 | ----- | MA8056/H/-X | Z DIODE | (Addition) | 1 | 01 |
| | 03 | D458 | CRS03-W | ----- | SB DIODE | (Deletion) | 1 | 01,02,03 |
| | 03 | D458 | ----- | CRS03-W | SB DIODE | (Addition) | 1 | 01 |
| | 03 | D459 | CRS03-W | ----- | SB DIODE | (Deletion) | 1 | 01,02,03 |
| | 03 | D459 | ----- | CRS03-W | SB DIODE | (Addition) | 1 | 01 |
| | 03 | D491 | NECBB205/WPQR/X | ----- | LED | (Deletion) | 1 | 01,02,03 |
| | 03 | D491 | ----- | NECBB205/WPQR/X | LED | (Addition) | 1 | 01 |
| | 03 | D4531 | MA8051/M/-X | ----- | Z DIODE | (Deletion) | 1 | 01,02,03 |
| | 03 | D4531 | ----- | MA8051/M/-X | Z DIODE | (Addition) | 1 | 01 |
| | 03 | D4541 | MA8051/M/-X | ----- | Z DIODE | (Deletion) | 1 | 01,02,03 |
| | 03 | D4541 | ----- | MA8051/M/-X | Z DIODE | (Addition) | 1 | 01 |
| | 03 | C451 | NEAF1CM-476X | ----- | E CAPACITOR | (Deletion) | 1 | 01,02,03 |
| | 03 | C451 | ----- | NEAF1CM-476X | E CAPACITOR | (Addition) | 1 | 01 |
| | 03 | C452 | NEAF1CM-107X | ----- | E CAPACITOR | (Deletion) | 1 | 01,02,03 |
| | 03 | C452 | ----- | NEAF1CM-107X | E CAPACITOR | (Addition) | 1 | 01 |
| | 03 | C453 | NCB31CK-104X | ----- | C CAPACITOR | (Deletion) | 1 | 01,02,03 |
| | 03 | C453 | ----- | NCB31CK-104X | C CAPACITOR | (Addition) | 1 | 01 |
| | 03 | C454 | NEAF1CM-476X | ----- | E CAPACITOR | (Deletion) | 1 | 01,02,03 |
| | 03 | C454 | ----- | NEAF1CM-476X | E CAPACITOR | (Addition) | 1 | 01 |
| | 03 | C455 | NEAF1CM-107X | ----- | E CAPACITOR | (Deletion) | 1 | 01,02,03 |
| | 03 | C455 | ----- | NEAF1CM-107X | E CAPACITOR | (Addition) | 1 | 01 |
| | 03 | C456 | NCB31CK-104X | ----- | C CAPACITOR | (Deletion) | 1 | 01,02,03 |
| | 03 | C456 | ----- | NCB31CK-104X | C CAPACITOR | (Addition) | 1 | 01 |
| | 03 | C457 | NEAF1CM-107X | ----- | E CAPACITOR | (Deletion) | 1 | 01,02,03 |
| | 03 | C457 | ----- | NEAF1CM-107X | E CAPACITOR | (Addition) | 1 | 01 |
| | 03 | C458 | NEAF1CM-107X | ----- | E CAPACITOR | (Deletion) | 1 | 01,02,03 |
| | 03 | C458 | ----- | NEAF1CM-107X | E CAPACITOR | (Addition) | 1 | 01 |
| | 03 | C4501 | NCB31CK-104X | ----- | C CAPACITOR | (Deletion) | 1 | 01,02,03 |
| | 03 | C4501 | ----- | NCB31CK-104X | C CAPACITOR | (Addition) | 1 | 01 |
| | 03 | C4503 | NDC31HJ-471X | ----- | C CAPACITOR | (Deletion) | 1 | 01,02,03 |
| | 03 | C4503 | ----- | NDC31HJ-471X | C CAPACITOR | (Addition) | 1 | 01 |
| | 03 | C4504 | NCB31CK-104X | ----- | C CAPACITOR | (Deletion) | 1 | 01,02,03 |
| | 03 | C4504 | ----- | NCB31CK-104X | C CAPACITOR | (Addition) | 1 | 01 |
| | 03 | C4505 | NCB31CK-104X | ----- | C CAPACITOR | (Deletion) | 1 | 01,02,03 |
| | 03 | C4505 | ----- | NCB31CK-104X | C CAPACITOR | (Addition) | 1 | 01 |
| | 03 | C4506 | NCB31CK-104X | ----- | C CAPACITOR | (Deletion) | 1 | 01,02,03 |
| | 03 | C4506 | ----- | NCB31CK-104X | C CAPACITOR | (Addition) | 1 | 01 |
| | 03 | C4507 | NCB31HK-103X | ----- | C CAPACITOR | (Deletion) | 1 | 01,02,03 |
| | 03 | C4507 | ----- | NCB31HK-103X | C CAPACITOR | (Addition) | 1 | 01 |
| | 03 | C4508 | NDC31HJ-101X | ----- | C CAPACITOR | (Deletion) | 1 | 01,02,03 |
| | 03 | C4508 | ----- | NDC31HJ-101X | C CAPACITOR | (Addition) | 1 | 01 |
| | 03 | C4509 | NCB31CK-104X | ----- | C CAPACITOR | (Deletion) | 1 | 01,02,03 |
| | 03 | C4509 | ----- | NCB31CK-104X | C CAPACITOR | (Addition) | 1 | 01 |
| | 03 | C4531 | NEAF1EM-475X | ----- | E CAPACITOR | (Deletion) | 1 | 01,02,03 |
| | 03 | C4531 | ----- | NEAF1EM-475X | E CAPACITOR | (Addition) | 1 | 01 |
| | 03 | C4532 | NDC31HJ-821X | ----- | C CAPACITOR | (Deletion) | 1 | 01,02,03 |
| | 03 | C4532 | ----- | NDC31HJ-821X | C CAPACITOR | (Addition) | 1 | 01 |
| | 03 | C4533 | NDC31HJ-681X | ----- | C CAPACITOR | (Deletion) | 1 | 01,02,03 |
| | 03 | C4533 | ----- | NDC31HJ-681X | C CAPACITOR | (Addition) | 1 | 01 |
| | 03 | C4534 | NEAF1CM-107X | ----- | E CAPACITOR | (Deletion) | 1 | 01,02,03 |
| | 03 | C4534 | ----- | NEAF1CM-107X | E CAPACITOR | (Addition) | 1 | 01 |
| | 03 | C4535 | NEAF1EM-475X | ----- | E CAPACITOR | (Deletion) | 1 | 01,02,03 |
| | 03 | C4535 | ----- | NEAF1EM-475X | E CAPACITOR | (Addition) | 1 | 01 |
| | 03 | C4536 | NEAF1CM-107X | ----- | E CAPACITOR | (Deletion) | 1 | 01,02,03 |
| | 03 | C4536 | ----- | NEAF1CM-107X | E CAPACITOR | (Addition) | 1 | 01 |

| △ | Symbol | or | Part No. | | Part Name | Description | Qty | Models |
|----|--------|----|---------------|---------------|---------------|-------------|-----|----------|
| | | | <Rev.001> | <Rev.002> | | | | |
| 03 | C4538 | | NDC31HJ-331X | ----- | C CAPACITOR | (Deletion) | 1 | 01,02,03 |
| 03 | C4538 | | ----- | NDC31HJ-331X | C CAPACITOR | (Addition) | 1 | 01 |
| 03 | C4541 | | NEAF1EM-475X | ----- | E CAPACITOR | (Deletion) | 1 | 01,02,03 |
| 03 | C4541 | | ----- | NEAF1EM-475X | E CAPACITOR | (Addition) | 1 | 01 |
| 03 | C4542 | | NDC31HJ-821X | ----- | C CAPACITOR | (Deletion) | 1 | 01,02,03 |
| 03 | C4542 | | ----- | NDC31HJ-821X | C CAPACITOR | (Addition) | 1 | 01 |
| 03 | C4543 | | NDC31HJ-681X | ----- | C CAPACITOR | (Deletion) | 1 | 01,02,03 |
| 03 | C4543 | | ----- | NDC31HJ-681X | C CAPACITOR | (Addition) | 1 | 01 |
| 03 | C4544 | | NEAF1CM-107X | ----- | E CAPACITOR | (Deletion) | 1 | 01,02,03 |
| 03 | C4544 | | ----- | NEAF1CM-107X | E CAPACITOR | (Addition) | 1 | 01 |
| 03 | C4545 | | NEAF1EM-475X | ----- | E CAPACITOR | (Deletion) | 1 | 01,02,03 |
| 03 | C4545 | | ----- | NEAF1EM-475X | E CAPACITOR | (Addition) | 1 | 01 |
| 03 | C4548 | | NDC31HJ-331X | ----- | C CAPACITOR | (Deletion) | 1 | 01,02,03 |
| 03 | C4548 | | ----- | NDC31HJ-331X | C CAPACITOR | (Addition) | 1 | 01 |
| 03 | R401 | | NRSA63J-0R0X | ----- | MG RESISTOR | (Deletion) | 1 | 01,02,03 |
| 03 | R401 | | ----- | NRSA63J-0R0X | MG RESISTOR | (Addition) | 1 | 01 |
| 03 | R402 | | NRSA63J-0R0X | ----- | MG RESISTOR | (Deletion) | 1 | 01,02,03 |
| 03 | R402 | | ----- | NRSA63J-0R0X | MG RESISTOR | (Addition) | 1 | 01 |
| 03 | R403 | | NRSA63J-102X | ----- | MG RESISTOR | (Deletion) | 1 | 01,02,03 |
| 03 | R403 | | ----- | NRSA63J-102X | MG RESISTOR | (Addition) | 1 | 01 |
| 03 | R451 | | NRSA63D-682X | ----- | MG RESISTOR | (Deletion) | 1 | 01,02,03 |
| 03 | R451 | | ----- | NRSA63D-682X | MG RESISTOR | (Addition) | 1 | 01 |
| 03 | R452 | | NRSA63D-302X | ----- | MG RESISTOR | (Deletion) | 1 | 01,02,03 |
| 03 | R452 | | ----- | NRSA63D-302X | MG RESISTOR | (Addition) | 1 | 01 |
| 03 | R453 | | NRSA63D-682X | ----- | MG RESISTOR | (Deletion) | 1 | 01,02,03 |
| 03 | R453 | | ----- | NRSA63D-682X | MG RESISTOR | (Addition) | 1 | 01 |
| 03 | R454 | | NRSA63D-222X | ----- | MG RESISTOR | (Deletion) | 1 | 01,02,03 |
| 03 | R454 | | ----- | NRSA63D-222X | MG RESISTOR | (Addition) | 1 | 01 |
| 03 | R455 | | NRSA63J-681X | ----- | MG RESISTOR | (Deletion) | 1 | 01,02,03 |
| 03 | R455 | | ----- | NRSA63J-681X | MG RESISTOR | (Addition) | 1 | 01 |
| 03 | R457 | | NRSA63J-104X | ----- | MG RESISTOR | (Deletion) | 1 | 01,02,03 |
| 03 | R457 | | ----- | NRSA63J-104X | MG RESISTOR | (Addition) | 1 | 01 |
| 03 | R4501 | | NRSA63J-101X | ----- | MG RESISTOR | (Deletion) | 1 | 01,02,03 |
| 03 | R4501 | | ----- | NRSA63J-101X | MG RESISTOR | (Addition) | 1 | 01 |
| 03 | R4531 | | NRSA63J-104X | ----- | MG RESISTOR | (Deletion) | 1 | 01,02,03 |
| 03 | R4531 | | ----- | NRSA63J-104X | MG RESISTOR | (Addition) | 1 | 01 |
| 03 | R4532 | | NRSA63J-182X | ----- | MG RESISTOR | (Deletion) | 1 | 01,02,03 |
| 03 | R4532 | | ----- | NRSA63J-182X | MG RESISTOR | (Addition) | 1 | 01 |
| 03 | R4533 | | NRSA63J-182X | ----- | MG RESISTOR | (Deletion) | 1 | 01,02,03 |
| 03 | R4533 | | ----- | NRSA63J-182X | MG RESISTOR | (Addition) | 1 | 01 |
| 03 | R4534 | | NRSA63J-104X | ----- | MG RESISTOR | (Deletion) | 1 | 01,02,03 |
| 03 | R4534 | | ----- | NRSA63J-104X | MG RESISTOR | (Addition) | 1 | 01 |
| 03 | R4535 | | NRSA63J-102X | ----- | MG RESISTOR | (Deletion) | 1 | 01,02,03 |
| 03 | R4535 | | ----- | NRSA63J-102X | MG RESISTOR | (Addition) | 1 | 01 |
| 03 | R4536 | | NRSA63J-752X | ----- | MG RESISTOR | (Deletion) | 1 | 01,02,03 |
| 03 | R4536 | | ----- | NRSA63J-752X | MG RESISTOR | (Addition) | 1 | 01 |
| 03 | R4537 | | NRSA63J-472X | ----- | MG RESISTOR | (Deletion) | 1 | 01,02,03 |
| 03 | R4537 | | ----- | NRSA63J-472X | MG RESISTOR | (Addition) | 1 | 01 |
| 03 | R4541 | | NRSA63J-104X | ----- | MG RESISTOR | (Deletion) | 1 | 01,02,03 |
| 03 | R4541 | | ----- | NRSA63J-104X | MG RESISTOR | (Addition) | 1 | 01 |
| 03 | R4542 | | NRSA63J-182X | ----- | MG RESISTOR | (Deletion) | 1 | 01,02,03 |
| 03 | R4542 | | ----- | NRSA63J-182X | MG RESISTOR | (Addition) | 1 | 01 |
| 03 | R4543 | | NRSA63J-182X | ----- | MG RESISTOR | (Deletion) | 1 | 01,02,03 |
| 03 | R4543 | | ----- | NRSA63J-182X | MG RESISTOR | (Addition) | 1 | 01 |
| 03 | R4544 | | NRSA63J-104X | ----- | MG RESISTOR | (Deletion) | 1 | 01,02,03 |
| 03 | R4544 | | ----- | NRSA63J-104X | MG RESISTOR | (Addition) | 1 | 01 |
| 03 | R4545 | | NRSA63J-102X | ----- | MG RESISTOR | (Deletion) | 1 | 01,02,03 |
| 03 | R4545 | | ----- | NRSA63J-102X | MG RESISTOR | (Addition) | 1 | 01 |
| 03 | R4546 | | NRSA63J-752X | ----- | MG RESISTOR | (Deletion) | 1 | 01,02,03 |
| 03 | R4546 | | ----- | NRSA63J-752X | MG RESISTOR | (Addition) | 1 | 01 |
| 03 | R4547 | | NRSA63J-472X | ----- | MG RESISTOR | (Deletion) | 1 | 01,02,03 |
| 03 | R4547 | | ----- | NRSA63J-472X | MG RESISTOR | (Addition) | 1 | 01 |
| 03 | CN401 | | NNZ0230-003 | ----- | CAR CONNECTOR | (Deletion) | 1 | 01,02,03 |
| 03 | CN401 | | ----- | NNZ0230-003 | CAR CONNECTOR | (Addition) | 1 | 01 |
| 03 | CN402 | | QGA1002F1-02X | ----- | CONNECTOR | (Deletion) | 1 | 01,02,03 |
| 03 | CN402 | | ----- | QGA1002F1-02X | CONNECTOR | (Addition) | 1 | 01 |
| 03 | CN411 | | QGB0815J1-60X | ----- | CONNECTOR | (Deletion) | 1 | 01,02,03 |
| 03 | CN411 | | ----- | QGB0815J1-60X | CONNECTOR | (Addition) | 1 | 01 |

| △ | Symbol | or | Part No. | | Part Name | Description | Qty | Models |
|---|--------|-------|---------------|---------------|----------------|-------------|-----|----------|
| | | | <Rev.001> | <Rev.002> | | | | |
| | 03 | CN412 | QGB1004J4-30X | ----- | CONNECTOR | (Deletion) | 1 | 01,02,03 |
| | 03 | CN412 | ----- | QGB1004J4-30X | CONNECTOR | (Addition) | 1 | 01 |
| | 03 | CN421 | QGB0815J1-60X | ----- | CONNECTOR | (Deletion) | 1 | 01,02,03 |
| | 03 | CN421 | ----- | QGB0815J1-60X | CONNECTOR | (Addition) | 1 | 01 |
| | 03 | CN422 | QGB1004J4-30X | ----- | CONNECTOR | (Deletion) | 1 | 01,02,03 |
| | 03 | CN422 | ----- | QGB1004J4-30X | CONNECTOR | (Addition) | 1 | 01 |
| | 03 | CN451 | QGB2027L9-30X | ----- | CONNECTOR | (Deletion) | 1 | 01,02,03 |
| | 03 | CN451 | ----- | QGB2027L9-30X | CONNECTOR | (Addition) | 1 | 01 |
| | 03 | CN461 | QGF0534F3-50X | ----- | CONNECTOR | (Deletion) | 1 | 01,02,03 |
| | 03 | CN461 | ----- | QGF0534F3-50X | CONNECTOR | (Addition) | 1 | 01 |
| | 03 | CN491 | QGA1002F1-02X | ----- | CONNECTOR | (Deletion) | 1 | 01,02,03 |
| | 03 | CN491 | ----- | QGA1002F1-02X | CONNECTOR | (Addition) | 1 | 01 |
| | 03 | EP401 | NNZ0165-001X | ----- | EARTH TERMINAL | (Deletion) | 1 | 01,02,03 |
| | 03 | EP401 | ----- | NNZ0165-001X | EARTH TERMINAL | (Addition) | 1 | 01 |
| | 03 | EP402 | NNZ0165-001X | ----- | EARTH TERMINAL | (Deletion) | 1 | 01,02,03 |
| | 03 | EP402 | ----- | NNZ0165-001X | EARTH TERMINAL | (Addition) | 1 | 01 |
| | 03 | EP403 | NNZ0165-001X | ----- | EARTH TERMINAL | (Deletion) | 1 | 01,02,03 |
| | 03 | EP403 | ----- | NNZ0165-001X | EARTH TERMINAL | (Addition) | 1 | 01 |
| | 03 | EP451 | NNZ0165-001X | ----- | EARTH TERMINAL | (Deletion) | 1 | 01,02,03 |
| | 03 | EP451 | ----- | NNZ0165-001X | EARTH TERMINAL | (Addition) | 1 | 01 |
| | 03 | EP452 | NNZ0165-001X | ----- | EARTH TERMINAL | (Deletion) | 1 | 01,02,03 |
| | 03 | EP452 | ----- | NNZ0165-001X | EARTH TERMINAL | (Addition) | 1 | 01 |
| | 03 | EP453 | NNZ0165-001X | ----- | EARTH TERMINAL | (Deletion) | 1 | 01,02,03 |
| | 03 | EP453 | ----- | NNZ0165-001X | EARTH TERMINAL | (Addition) | 1 | 01 |
| | 03 | EP454 | NNZ0165-001X | ----- | EARTH TERMINAL | (Deletion) | 1 | 01,02,03 |
| | 03 | EP454 | ----- | NNZ0165-001X | EARTH TERMINAL | (Addition) | 1 | 01 |

Old Panel board Old KW-NT1J [04]

| △ | Symbol | or | Part No. | | Part Name | Description | Qty | Models |
|---|--------|-------|-----------------|-----------------|-------------|-------------|-----|----------|
| | | | <Rev.001> | <Rev.002> | | | | |
| | 04 | IC801 | BU21010MUV-X | ----- | IC | (Deletion) | 1 | 01,02,03 |
| | 04 | IC801 | ----- | BU21010MUV-X | IC | (Addition) | 1 | 01 |
| | 04 | IC901 | JVM4233 | ----- | IC(MCU) | (Deletion) | 1 | 01,02,03 |
| | 04 | IC901 | ----- | JVM4233 | IC(MCU) | (Addition) | 1 | 01 |
| | 04 | IC921 | KE455U2557MFP | ----- | IC | (Deletion) | 1 | 01,02,03 |
| | 04 | IC921 | ----- | KE455U2557MFP | IC | (Addition) | 1 | 01 |
| | 04 | IC941 | NJM072BV-X | ----- | IC | (Deletion) | 1 | 01,02,03 |
| | 04 | IC941 | ----- | NJM072BV-X | IC | (Addition) | 1 | 01 |
| | 04 | IC945 | TC74VHCT04AFT-X | ----- | IC | (Deletion) | 1 | 01,02,03 |
| | 04 | IC945 | ----- | TC74VHCT04AFT-X | IC | (Addition) | 1 | 01 |
| | 04 | IC951 | TPS61500PWP-X | ----- | IC | (Deletion) | 1 | 01,02,03 |
| | 04 | IC951 | ----- | TPS61500PWP-X | IC | (Addition) | 1 | 01 |
| | 04 | IC952 | TC7S08FU-X | ----- | IC C.M . | (Deletion) | 1 | 01,02,03 |
| | 04 | IC952 | ----- | TC7S08FU-X | IC C.M . | (Addition) | 1 | 01 |
| | 04 | IC970 | TC4066BFT-X | ----- | IC(DIGITAL) | (Deletion) | 1 | 01,02,03 |
| | 04 | IC970 | ----- | TC4066BFT-X | IC(DIGITAL) | (Addition) | 1 | 01 |
| | 04 | IC973 | NJM4565E-X | ----- | IC | (Deletion) | 1 | 01,02,03 |
| | 04 | IC973 | ----- | NJM4565E-X | IC | (Addition) | 1 | 01 |
| | 04 | IC975 | TC4066BFT-X | ----- | IC(DIGITAL) | (Deletion) | 1 | 01,02,03 |
| | 04 | IC975 | ----- | TC4066BFT-X | IC(DIGITAL) | (Addition) | 1 | 01 |
| | 04 | IC980 | NAU0004-005 | ----- | RF MODULE | (Deletion) | 1 | 01,02,03 |
| | 04 | IC980 | ----- | NAU0004-005 | RF MODULE | (Addition) | 1 | 01 |
| | 04 | IC983 | NJM4565E-X | ----- | IC | (Deletion) | 1 | 01,02,03 |
| | 04 | IC983 | ----- | NJM4565E-X | IC | (Addition) | 1 | 01 |
| | 04 | IC985 | NJM2229M-X | ----- | IC | (Deletion) | 1 | 01,02,03 |
| | 04 | IC985 | ----- | NJM2229M-X | IC | (Addition) | 1 | 01 |
| | 04 | IC986 | NJM2505AF-X | ----- | IC | (Deletion) | 1 | 01,02,03 |
| | 04 | IC986 | ----- | NJM2505AF-X | IC | (Addition) | 1 | 01 |
| | 04 | IC987 | NJM2505AF-X | ----- | IC | (Deletion) | 1 | 01,02,03 |
| | 04 | IC987 | ----- | NJM2505AF-X | IC | (Addition) | 1 | 01 |
| | 04 | IC991 | BA50BC0FP-X | ----- | IC | (Deletion) | 1 | 01,02,03 |
| | 04 | IC991 | ----- | BA50BC0FP-X | IC | (Addition) | 1 | 01 |
| | 04 | IC992 | NJM2871BF33-X | ----- | IC | (Deletion) | 1 | 01,02,03 |
| | 04 | IC992 | ----- | NJM2871BF33-X | IC | (Addition) | 1 | 01 |
| | 04 | IC993 | BA00BC0WFP-X | ----- | IC(DIGITAL) | (Deletion) | 1 | 01,02,03 |
| | 04 | IC993 | ----- | BA00BC0WFP-X | IC(DIGITAL) | (Addition) | 1 | 01 |
| | 04 | Q9101 | 2SA2119K-X | ----- | TRANSISTOR | (Deletion) | 1 | 01,02,03 |
| | 04 | Q9101 | ----- | 2SA2119K-X | TRANSISTOR | (Addition) | 1 | 01 |

| △ | Symbol | or | Part No. | | Part Name | Description | Qty | Models |
|---|--------|-------|-----------------|-----------------|-----------------|-------------|-----|----------|
| | | | <Rev.001> | <Rev.002> | | | | |
| | 04 | Q9102 | 2SC5938A/B/-X | ----- | TRANSISTOR | (Deletion) | 1 | 01,02,03 |
| | 04 | Q9102 | ----- | 2SC5938A/B/-X | TRANSISTOR | (Addition) | 1 | 01 |
| | 04 | Q9111 | 2SA2119K-X | ----- | TRANSISTOR | (Deletion) | 1 | 01,02,03 |
| | 04 | Q9111 | ----- | 2SA2119K-X | TRANSISTOR | (Addition) | 1 | 01 |
| | 04 | Q9112 | 2SC5938A/B/-X | ----- | TRANSISTOR | (Deletion) | 1 | 01,02,03 |
| | 04 | Q9112 | ----- | 2SC5938A/B/-X | TRANSISTOR | (Addition) | 1 | 01 |
| | 04 | Q9121 | ISA1530AC1/R/-X | ----- | TRANSISTOR | (Deletion) | 1 | 01,02,03 |
| | 04 | Q9121 | ----- | ISA1530AC1/R/-X | TRANSISTOR | (Addition) | 1 | 01 |
| | 04 | Q9401 | 2SD601A/QR/-X | ----- | TRANSISTOR | (Deletion) | 1 | 01,02,03 |
| | 04 | Q9401 | ----- | 2SD601A/QR/-X | TRANSISTOR | (Addition) | 1 | 01 |
| | 04 | Q9402 | 2SB709A/QR/-X | ----- | TRANSISTOR | (Deletion) | 1 | 01,02,03 |
| | 04 | Q9402 | ----- | 2SB709A/QR/-X | TRANSISTOR | (Addition) | 1 | 01 |
| | 04 | Q9403 | 2SD601A/QR/-X | ----- | TRANSISTOR | (Deletion) | 1 | 01,02,03 |
| | 04 | Q9403 | ----- | 2SD601A/QR/-X | TRANSISTOR | (Addition) | 1 | 01 |
| | 04 | Q9404 | 2SB709A/QR/-X | ----- | TRANSISTOR | (Deletion) | 1 | 01,02,03 |
| | 04 | Q9404 | ----- | 2SB709A/QR/-X | TRANSISTOR | (Addition) | 1 | 01 |
| | 04 | Q9511 | RSQ025P03-W | ----- | TRANSISTOR | (Deletion) | 1 | 01,02,03 |
| | 04 | Q9511 | ----- | RSQ025P03-W | TRANSISTOR | (Addition) | 1 | 01 |
| | 04 | Q9512 | 2SK3019-X | ----- | MOS FET | (Deletion) | 1 | 01,02,03 |
| | 04 | Q9512 | ----- | 2SK3019-X | MOS FET | (Addition) | 1 | 01 |
| | 04 | Q9601 | RT1N141C-X | ----- | DIGI TRANSISTOR | (Deletion) | 1 | 01,02,03 |
| | 04 | Q9601 | ----- | RT1N141C-X | DIGI TRANSISTOR | (Addition) | 1 | 01 |
| | 04 | Q9602 | RT1N141C-X | ----- | DIGI TRANSISTOR | (Deletion) | 1 | 01,02,03 |
| | 04 | Q9602 | ----- | RT1N141C-X | DIGI TRANSISTOR | (Addition) | 1 | 01 |
| | 04 | Q9701 | RT1N141C-X | ----- | DIGI TRANSISTOR | (Deletion) | 1 | 01,02,03 |
| | 04 | Q9701 | ----- | RT1N141C-X | DIGI TRANSISTOR | (Addition) | 1 | 01 |
| | 04 | Q9702 | RT1N441C-X | ----- | TRANSISTOR | (Deletion) | 1 | 01,02,03 |
| | 04 | Q9702 | ----- | RT1N441C-X | TRANSISTOR | (Addition) | 1 | 01 |
| | 04 | Q9711 | RT1N141C-X | ----- | DIGI TRANSISTOR | (Deletion) | 1 | 01,02,03 |
| | 04 | Q9711 | ----- | RT1N141C-X | DIGI TRANSISTOR | (Addition) | 1 | 01 |
| | 04 | Q9712 | 2SB709A/QR/-X | ----- | TRANSISTOR | (Deletion) | 1 | 01,02,03 |
| | 04 | Q9712 | ----- | 2SB709A/QR/-X | TRANSISTOR | (Addition) | 1 | 01 |
| | 04 | Q9713 | 2SC5938A/B/-X | ----- | TRANSISTOR | (Deletion) | 1 | 01,02,03 |
| | 04 | Q9713 | ----- | 2SC5938A/B/-X | TRANSISTOR | (Addition) | 1 | 01 |
| | 04 | Q9714 | 2SB709A/QR/-X | ----- | TRANSISTOR | (Deletion) | 1 | 01,02,03 |
| | 04 | Q9714 | ----- | 2SB709A/QR/-X | TRANSISTOR | (Addition) | 1 | 01 |
| | 04 | Q9715 | 2SC5938A/B/-X | ----- | TRANSISTOR | (Deletion) | 1 | 01,02,03 |
| | 04 | Q9715 | ----- | 2SC5938A/B/-X | TRANSISTOR | (Addition) | 1 | 01 |
| | 04 | Q9751 | RT1N141C-X | ----- | DIGI TRANSISTOR | (Deletion) | 1 | 01,02,03 |
| | 04 | Q9751 | ----- | RT1N141C-X | DIGI TRANSISTOR | (Addition) | 1 | 01 |
| | 04 | Q9752 | RT1N441C-X | ----- | TRANSISTOR | (Deletion) | 1 | 01,02,03 |
| | 04 | Q9752 | ----- | RT1N441C-X | TRANSISTOR | (Addition) | 1 | 01 |
| | 04 | D8401 | CL-260S-HB8-X | ----- | LED | (Deletion) | 1 | 01,02,03 |
| | 04 | D8401 | ----- | CL-260S-HB8-X | LED | (Addition) | 1 | 01 |
| | 04 | D8402 | CL-260S-HB8-X | ----- | LED | (Deletion) | 1 | 01,02,03 |
| | 04 | D8402 | ----- | CL-260S-HB8-X | LED | (Addition) | 1 | 01 |
| | 04 | D8403 | CL-260S-HB8-X | ----- | LED | (Deletion) | 1 | 01,02,03 |
| | 04 | D8403 | ----- | CL-260S-HB8-X | LED | (Addition) | 1 | 01 |
| | 04 | D8404 | CL-260S-HB8-X | ----- | LED | (Deletion) | 1 | 01,02,03 |
| | 04 | D8404 | ----- | CL-260S-HB8-X | LED | (Addition) | 1 | 01 |
| | 04 | D9004 | MA2SD31-X | ----- | SB DIODE | (Deletion) | 1 | 01,02,03 |
| | 04 | D9004 | ----- | MA2SD31-X | SB DIODE | (Addition) | 1 | 01 |
| | 04 | D9501 | MA22D39-X | ----- | SB DIODE | (Deletion) | 1 | 01,02,03 |
| | 04 | D9501 | ----- | MA22D39-X | SB DIODE | (Addition) | 1 | 01 |
| | 04 | D9812 | MA8033-X | ----- | Z DIODE | (Deletion) | 1 | 01,02,03 |
| | 04 | D9812 | ----- | MA8033-X | Z DIODE | (Addition) | 1 | 01 |
| | 04 | C8301 | NBE20JM-476X | ----- | TA E CAPACITOR | (Deletion) | 1 | 01,02,03 |
| | 04 | C8301 | ----- | NBE20JM-476X | TA E CAPACITOR | (Addition) | 1 | 01 |
| | 04 | C8302 | NCB31CK-104X | ----- | C CAPACITOR | (Deletion) | 1 | 01,02,03 |
| | 04 | C8302 | ----- | NCB31CK-104X | C CAPACITOR | (Addition) | 1 | 01 |
| | 04 | C8303 | NBE20JM-476X | ----- | TA E CAPACITOR | (Deletion) | 1 | 01,02,03 |
| | 04 | C8303 | ----- | NBE20JM-476X | TA E CAPACITOR | (Addition) | 1 | 01 |
| | 04 | C8304 | NCB31CK-104X | ----- | C CAPACITOR | (Deletion) | 1 | 01,02,03 |
| | 04 | C8304 | ----- | NCB31CK-104X | C CAPACITOR | (Addition) | 1 | 01 |
| | 04 | C8305 | NDC31HJ-150X-G | ----- | C CAPACITOR | (Deletion) | 1 | 01,02,03 |
| | 04 | C8305 | ----- | NDC31HJ-150X-G | C CAPACITOR | (Addition) | 1 | 01 |
| | 04 | C8306 | NCB31HK-103X | ----- | C CAPACITOR | (Deletion) | 1 | 01,02,03 |
| | 04 | C8306 | ----- | NCB31HK-103X | C CAPACITOR | (Addition) | 1 | 01 |

| △ | Symbol | or | Part No. | | Part Name | Description | Qty | Models |
|---|--------|-------|----------------|----------------|----------------|-------------|-----|----------|
| | | | <Rev.001> | <Rev.002> | | | | |
| | 04 | C8501 | NCB31HK-103X | ----- | C CAPACITOR | (Deletion) | 1 | 01,02,03 |
| | 04 | C8501 | ----- | NCB31HK-103X | C CAPACITOR | (Addition) | 1 | 01 |
| | 04 | C8504 | NCB31HK-103X | ----- | C CAPACITOR | (Deletion) | 1 | 01,02,03 |
| | 04 | C8504 | ----- | NCB31HK-103X | C CAPACITOR | (Addition) | 1 | 01 |
| | 04 | C8505 | NCJ11EK-106X-R | ----- | C CAPACITOR | (Deletion) | 1 | 01,02,03 |
| | 04 | C8505 | ----- | NCJ11EK-106X-R | C CAPACITOR | (Addition) | 1 | 01 |
| | 04 | C8601 | NDC31HJ-101X | ----- | C CAPACITOR | (Deletion) | 1 | 01,02,03 |
| | 04 | C8601 | ----- | NDC31HJ-101X | C CAPACITOR | (Addition) | 1 | 01 |
| | 04 | C8602 | NDC31HJ-101X | ----- | C CAPACITOR | (Deletion) | 1 | 01,02,03 |
| | 04 | C8602 | ----- | NDC31HJ-101X | C CAPACITOR | (Addition) | 1 | 01 |
| | 04 | C8603 | NDC31HJ-101X | ----- | C CAPACITOR | (Deletion) | 1 | 01,02,03 |
| | 04 | C8603 | ----- | NDC31HJ-101X | C CAPACITOR | (Addition) | 1 | 01 |
| | 04 | C8604 | NCB31HK-102X | ----- | C CAPACITOR | (Deletion) | 1 | 01,02,03 |
| | 04 | C8604 | ----- | NCB31HK-102X | C CAPACITOR | (Addition) | 1 | 01 |
| | 04 | C9031 | NCB31CK-104X | ----- | C CAPACITOR | (Deletion) | 1 | 01,02,03 |
| | 04 | C9031 | ----- | NCB31CK-104X | C CAPACITOR | (Addition) | 1 | 01 |
| | 04 | C9061 | NCB31CK-104X | ----- | C CAPACITOR | (Deletion) | 1 | 01,02,03 |
| | 04 | C9061 | ----- | NCB31CK-104X | C CAPACITOR | (Addition) | 1 | 01 |
| | 04 | C9062 | NDC31HJ-8R0X | ----- | C CAPACITOR | (Deletion) | 1 | 01,02,03 |
| | 04 | C9062 | ----- | NDC31HJ-8R0X | C CAPACITOR | (Addition) | 1 | 01 |
| | 04 | C9063 | NDC31HJ-8R0X | ----- | C CAPACITOR | (Deletion) | 1 | 01,02,03 |
| | 04 | C9063 | ----- | NDC31HJ-8R0X | C CAPACITOR | (Addition) | 1 | 01 |
| | 04 | C9064 | NCB31CK-474X | ----- | C CAPACITOR | (Deletion) | 1 | 01,02,03 |
| | 04 | C9064 | ----- | NCB31CK-474X | C CAPACITOR | (Addition) | 1 | 01 |
| | 04 | C9065 | NCB31CK-104X | ----- | C CAPACITOR | (Deletion) | 1 | 01,02,03 |
| | 04 | C9065 | ----- | NCB31CK-104X | C CAPACITOR | (Addition) | 1 | 01 |
| | 04 | C9071 | NCB31CK-104X | ----- | C CAPACITOR | (Deletion) | 1 | 01,02,03 |
| | 04 | C9071 | ----- | NCB31CK-104X | C CAPACITOR | (Addition) | 1 | 01 |
| | 04 | C9072 | NBE40JM-476X | ----- | TA E CAPACITOR | (Deletion) | 1 | 01,02,03 |
| | 04 | C9072 | ----- | NBE40JM-476X | TA E CAPACITOR | (Addition) | 1 | 01 |
| | 04 | C9092 | NCB31HK-103X | ----- | C CAPACITOR | (Deletion) | 1 | 01,02,03 |
| | 04 | C9092 | ----- | NCB31HK-103X | C CAPACITOR | (Addition) | 1 | 01 |
| | 04 | C9101 | NCB31AK-105X | ----- | C CAPACITOR | (Deletion) | 1 | 01,02,03 |
| | 04 | C9101 | ----- | NCB31AK-105X | C CAPACITOR | (Addition) | 1 | 01 |
| | 04 | C9111 | NCB31AK-105X | ----- | C CAPACITOR | (Deletion) | 1 | 01,02,03 |
| | 04 | C9111 | ----- | NCB31AK-105X | C CAPACITOR | (Addition) | 1 | 01 |
| | 04 | C9131 | NCB31HK-103X | ----- | C CAPACITOR | (Deletion) | 1 | 01,02,03 |
| | 04 | C9131 | ----- | NCB31HK-103X | C CAPACITOR | (Addition) | 1 | 01 |
| | 04 | C9132 | NCB31HK-103X | ----- | C CAPACITOR | (Deletion) | 1 | 01,02,03 |
| | 04 | C9132 | ----- | NCB31HK-103X | C CAPACITOR | (Addition) | 1 | 01 |
| | 04 | C9133 | NCB31HK-103X | ----- | C CAPACITOR | (Deletion) | 1 | 01,02,03 |
| | 04 | C9133 | ----- | NCB31HK-103X | C CAPACITOR | (Addition) | 1 | 01 |
| | 04 | C9134 | NCB31HK-103X | ----- | C CAPACITOR | (Deletion) | 1 | 01,02,03 |
| | 04 | C9134 | ----- | NCB31HK-103X | C CAPACITOR | (Addition) | 1 | 01 |
| | 04 | C9201 | NCB31CK-104X | ----- | C CAPACITOR | (Deletion) | 1 | 01,02,03 |
| | 04 | C9201 | ----- | NCB31CK-104X | C CAPACITOR | (Addition) | 1 | 01 |
| | 04 | C9202 | NCB31CK-104X | ----- | C CAPACITOR | (Deletion) | 1 | 01,02,03 |
| | 04 | C9202 | ----- | NCB31CK-104X | C CAPACITOR | (Addition) | 1 | 01 |
| | 04 | C9231 | NCB31CK-104X | ----- | C CAPACITOR | (Deletion) | 1 | 01,02,03 |
| | 04 | C9231 | ----- | NCB31CK-104X | C CAPACITOR | (Addition) | 1 | 01 |
| | 04 | C9232 | NCB31CK-104X | ----- | C CAPACITOR | (Deletion) | 1 | 01,02,03 |
| | 04 | C9232 | ----- | NCB31CK-104X | C CAPACITOR | (Addition) | 1 | 01 |
| | 04 | C9233 | NCB31CK-104X | ----- | C CAPACITOR | (Deletion) | 1 | 01,02,03 |
| | 04 | C9233 | ----- | NCB31CK-104X | C CAPACITOR | (Addition) | 1 | 01 |
| | 04 | C9234 | NCB31CK-104X | ----- | C CAPACITOR | (Deletion) | 1 | 01,02,03 |
| | 04 | C9234 | ----- | NCB31CK-104X | C CAPACITOR | (Addition) | 1 | 01 |
| | 04 | C9261 | NCB31CK-104X | ----- | C CAPACITOR | (Deletion) | 1 | 01,02,03 |
| | 04 | C9261 | ----- | NCB31CK-104X | C CAPACITOR | (Addition) | 1 | 01 |
| | 04 | C9262 | NCB31CK-104X | ----- | C CAPACITOR | (Deletion) | 1 | 01,02,03 |
| | 04 | C9262 | ----- | NCB31CK-104X | C CAPACITOR | (Addition) | 1 | 01 |
| | 04 | C9291 | NCB31CK-104X | ----- | C CAPACITOR | (Deletion) | 1 | 01,02,03 |
| | 04 | C9291 | ----- | NCB31CK-104X | C CAPACITOR | (Addition) | 1 | 01 |
| | 04 | C9292 | NCB31CK-104X | ----- | C CAPACITOR | (Deletion) | 1 | 01,02,03 |
| | 04 | C9292 | ----- | NCB31CK-104X | C CAPACITOR | (Addition) | 1 | 01 |
| | 04 | C9301 | NBE41AM-226X | ----- | TA E CAPACITOR | (Deletion) | 1 | 01,02,03 |
| | 04 | C9301 | ----- | NBE41AM-226X | TA E CAPACITOR | (Addition) | 1 | 01 |
| | 04 | C9401 | NBE41DM-106X | ----- | TA E CAPACITOR | (Deletion) | 1 | 01,02,03 |
| | 04 | C9401 | ----- | NBE41DM-106X | TA E CAPACITOR | (Addition) | 1 | 01 |

| △ | Symbol | or | Part No. | | Part Name | Description | Qty | Models |
|----|--------|----|----------------|----------------|----------------|-------------|-----|----------|
| | | | <Rev.001> | <Rev.002> | | | | |
| 04 | C9402 | | NCJ11EK-106X-R | ----- | C CAPACITOR | (Deletion) | 1 | 01,02,03 |
| 04 | C9402 | | ----- | NCJ11EK-106X-R | C CAPACITOR | (Addition) | 1 | 01 |
| 04 | C9403 | | NCB31CK-104X | ----- | C CAPACITOR | (Deletion) | 1 | 01,02,03 |
| 04 | C9403 | | ----- | NCB31CK-104X | C CAPACITOR | (Addition) | 1 | 01 |
| 04 | C9404 | | NCB31CK-104X | ----- | C CAPACITOR | (Deletion) | 1 | 01,02,03 |
| 04 | C9404 | | ----- | NCB31CK-104X | C CAPACITOR | (Addition) | 1 | 01 |
| 04 | C9405 | | NCB31EK-104X | ----- | C CAPACITOR | (Deletion) | 1 | 01,02,03 |
| 04 | C9405 | | ----- | NCB31EK-104X | C CAPACITOR | (Addition) | 1 | 01 |
| 04 | C9406 | | NCJ11EK-106X-R | ----- | C CAPACITOR | (Deletion) | 1 | 01,02,03 |
| 04 | C9406 | | ----- | NCJ11EK-106X-R | C CAPACITOR | (Addition) | 1 | 01 |
| 04 | C9407 | | NCB31EK-104X | ----- | C CAPACITOR | (Deletion) | 1 | 01,02,03 |
| 04 | C9407 | | ----- | NCB31EK-104X | C CAPACITOR | (Addition) | 1 | 01 |
| 04 | C9408 | | NCJ11EK-106X-R | ----- | C CAPACITOR | (Deletion) | 1 | 01,02,03 |
| 04 | C9408 | | ----- | NCJ11EK-106X-R | C CAPACITOR | (Addition) | 1 | 01 |
| 04 | C9409 | | NCB31AK-474X | ----- | C CAPACITOR | (Deletion) | 1 | 01,02,03 |
| 04 | C9409 | | ----- | NCB31AK-474X | C CAPACITOR | (Addition) | 1 | 01 |
| 04 | C9410 | | NCB31HK-104X | ----- | C CAPACITOR | (Deletion) | 1 | 01,02,03 |
| 04 | C9410 | | ----- | NCB31HK-104X | C CAPACITOR | (Addition) | 1 | 01 |
| 04 | C9411 | | NCB31CK-104X | ----- | C CAPACITOR | (Deletion) | 1 | 01,02,03 |
| 04 | C9411 | | ----- | NCB31CK-104X | C CAPACITOR | (Addition) | 1 | 01 |
| 04 | C9451 | | NCB31CK-104X | ----- | C CAPACITOR | (Deletion) | 1 | 01,02,03 |
| 04 | C9451 | | ----- | NCB31CK-104X | C CAPACITOR | (Addition) | 1 | 01 |
| 04 | C9481 | | NCB31CK-104X | ----- | C CAPACITOR | (Deletion) | 1 | 01,02,03 |
| 04 | C9481 | | ----- | NCB31CK-104X | C CAPACITOR | (Addition) | 1 | 01 |
| 04 | C9482 | | NCB31HK-104X | ----- | C CAPACITOR | (Deletion) | 1 | 01,02,03 |
| 04 | C9482 | | ----- | NCB31HK-104X | C CAPACITOR | (Addition) | 1 | 01 |
| 04 | C9483 | | NCB31CK-104X | ----- | C CAPACITOR | (Deletion) | 1 | 01,02,03 |
| 04 | C9483 | | ----- | NCB31CK-104X | C CAPACITOR | (Addition) | 1 | 01 |
| 04 | C9484 | | NCB31CK-104X | ----- | C CAPACITOR | (Deletion) | 1 | 01,02,03 |
| 04 | C9484 | | ----- | NCB31CK-104X | C CAPACITOR | (Addition) | 1 | 01 |
| 04 | C9501 | | NBE41DM-106X | ----- | TA E CAPACITOR | (Deletion) | 1 | 01,02,03 |
| 04 | C9501 | | ----- | NBE41DM-106X | TA E CAPACITOR | (Addition) | 1 | 01 |
| 04 | C9502 | | NCJ11EK-106X-R | ----- | C CAPACITOR | (Deletion) | 1 | 01,02,03 |
| 04 | C9502 | | ----- | NCJ11EK-106X-R | C CAPACITOR | (Addition) | 1 | 01 |
| 04 | C9503 | | NCJ11EK-106X-R | ----- | C CAPACITOR | (Deletion) | 1 | 01,02,03 |
| 04 | C9503 | | ----- | NCJ11EK-106X-R | C CAPACITOR | (Addition) | 1 | 01 |
| 04 | C9504 | | NCB31CK-105X | ----- | C CAPACITOR | (Deletion) | 1 | 01,02,03 |
| 04 | C9504 | | ----- | NCB31CK-105X | C CAPACITOR | (Addition) | 1 | 01 |
| 04 | C9505 | | NCB31EK-223X | ----- | C CAPACITOR | (Deletion) | 1 | 01,02,03 |
| 04 | C9505 | | ----- | NCB31EK-223X | C CAPACITOR | (Addition) | 1 | 01 |
| 04 | C9507 | | NCB31CK-474X | ----- | C CAPACITOR | (Deletion) | 1 | 01,02,03 |
| 04 | C9507 | | ----- | NCB31CK-474X | C CAPACITOR | (Addition) | 1 | 01 |
| 04 | C9508 | | NEAG1CM-476X | ----- | E CAPACITOR | (Deletion) | 1 | 01,02,03 |
| 04 | C9508 | | ----- | NEAG1CM-476X | E CAPACITOR | (Addition) | 1 | 01 |
| 04 | C9509 | | NEAG1CM-476X | ----- | E CAPACITOR | (Deletion) | 1 | 01,02,03 |
| 04 | C9509 | | ----- | NEAG1CM-476X | E CAPACITOR | (Addition) | 1 | 01 |
| 04 | C9510 | | NEAF1CM-107X | ----- | E CAPACITOR | (Deletion) | 1 | 01,02,03 |
| 04 | C9510 | | ----- | NEAF1CM-107X | E CAPACITOR | (Addition) | 1 | 01 |
| 04 | C9511 | | NEAG1CM-476X | ----- | E CAPACITOR | (Deletion) | 1 | 01,02,03 |
| 04 | C9511 | | ----- | NEAG1CM-476X | E CAPACITOR | (Addition) | 1 | 01 |
| 04 | C9512 | | NCB31CK-104X | ----- | C CAPACITOR | (Deletion) | 1 | 01,02,03 |
| 04 | C9512 | | ----- | NCB31CK-104X | C CAPACITOR | (Addition) | 1 | 01 |
| 04 | C9513 | | NCJ11EK-106X-R | ----- | C CAPACITOR | (Deletion) | 1 | 01,02,03 |
| 04 | C9513 | | ----- | NCJ11EK-106X-R | C CAPACITOR | (Addition) | 1 | 01 |
| 04 | C9514 | | NCJ11EK-106X-R | ----- | C CAPACITOR | (Deletion) | 1 | 01,02,03 |
| 04 | C9514 | | ----- | NCJ11EK-106X-R | C CAPACITOR | (Addition) | 1 | 01 |
| 04 | C9515 | | NCJ11EK-106X-R | ----- | C CAPACITOR | (Deletion) | 1 | 01,02,03 |
| 04 | C9515 | | ----- | NCJ11EK-106X-R | C CAPACITOR | (Addition) | 1 | 01 |
| 04 | C9516 | | NCJ11EK-106X-R | ----- | C CAPACITOR | (Deletion) | 1 | 01,02,03 |
| 04 | C9516 | | ----- | NCJ11EK-106X-R | C CAPACITOR | (Addition) | 1 | 01 |
| 04 | C9702 | | NCB31CK-104X | ----- | C CAPACITOR | (Deletion) | 1 | 01,02,03 |
| 04 | C9702 | | ----- | NCB31CK-104X | C CAPACITOR | (Addition) | 1 | 01 |
| 04 | C9703 | | NCJ21CK-106X-R | ----- | C CAPACITOR | (Deletion) | 1 | 01,02,03 |
| 04 | C9703 | | ----- | NCJ21CK-106X-R | C CAPACITOR | (Addition) | 1 | 01 |
| 04 | C9704 | | NCJ21CK-106X-R | ----- | C CAPACITOR | (Deletion) | 1 | 01,02,03 |
| 04 | C9704 | | ----- | NCJ21CK-106X-R | C CAPACITOR | (Addition) | 1 | 01 |
| 04 | C9705 | | NCB31HK-103X | ----- | C CAPACITOR | (Deletion) | 1 | 01,02,03 |
| 04 | C9705 | | ----- | NCB31HK-103X | C CAPACITOR | (Addition) | 1 | 01 |

| △ | Symbol | or | Part No. | | Part Name | Description | Qty | Models |
|---|--------|-------|--------------|--------------|----------------|-------------|-----|----------|
| | | | <Rev.001> | <Rev.002> | | | | |
| | 04 | C9731 | NCB31CK-104X | ----- | C CAPACITOR | (Deletion) | 1 | 01,02,03 |
| | 04 | C9731 | ----- | NCB31CK-104X | C CAPACITOR | (Addition) | 1 | 01 |
| | 04 | C9733 | NBE41AM-476X | ----- | TA E CAPACITOR | (Deletion) | 1 | 01,02,03 |
| | 04 | C9733 | ----- | NBE41AM-476X | TA E CAPACITOR | (Addition) | 1 | 01 |
| | 04 | C9736 | NCB31CK-105X | ----- | C CAPACITOR | (Deletion) | 1 | 01,02,03 |
| | 04 | C9736 | ----- | NCB31CK-105X | C CAPACITOR | (Addition) | 1 | 01 |
| | 04 | C9737 | NCB31CK-105X | ----- | C CAPACITOR | (Deletion) | 1 | 01,02,03 |
| | 04 | C9737 | ----- | NCB31CK-105X | C CAPACITOR | (Addition) | 1 | 01 |
| | 04 | C9742 | NCB31CK-105X | ----- | C CAPACITOR | (Deletion) | 1 | 01,02,03 |
| | 04 | C9742 | ----- | NCB31CK-105X | C CAPACITOR | (Addition) | 1 | 01 |
| | 04 | C9743 | NCB31CK-105X | ----- | C CAPACITOR | (Deletion) | 1 | 01,02,03 |
| | 04 | C9743 | ----- | NCB31CK-105X | C CAPACITOR | (Addition) | 1 | 01 |
| | 04 | C9744 | NDC31HJ-101X | ----- | C CAPACITOR | (Deletion) | 1 | 01,02,03 |
| | 04 | C9744 | ----- | NDC31HJ-101X | C CAPACITOR | (Addition) | 1 | 01 |
| | 04 | C9745 | NDC31HJ-101X | ----- | C CAPACITOR | (Deletion) | 1 | 01,02,03 |
| | 04 | C9745 | ----- | NDC31HJ-101X | C CAPACITOR | (Addition) | 1 | 01 |
| | 04 | C9746 | NDC31HJ-101X | ----- | C CAPACITOR | (Deletion) | 1 | 01,02,03 |
| | 04 | C9746 | ----- | NDC31HJ-101X | C CAPACITOR | (Addition) | 1 | 01 |
| | 04 | C9747 | NDC31HJ-101X | ----- | C CAPACITOR | (Deletion) | 1 | 01,02,03 |
| | 04 | C9747 | ----- | NDC31HJ-101X | C CAPACITOR | (Addition) | 1 | 01 |
| | 04 | C9752 | NCB31CK-104X | ----- | C CAPACITOR | (Deletion) | 1 | 01,02,03 |
| | 04 | C9752 | ----- | NCB31CK-104X | C CAPACITOR | (Addition) | 1 | 01 |
| | 04 | C9801 | NEAF0JM-107X | ----- | E CAPACITOR | (Deletion) | 1 | 01,02,03 |
| | 04 | C9801 | ----- | NEAF0JM-107X | E CAPACITOR | (Addition) | 1 | 01 |
| | 04 | C9802 | NCB31CK-104X | ----- | C CAPACITOR | (Deletion) | 1 | 01,02,03 |
| | 04 | C9802 | ----- | NCB31CK-104X | C CAPACITOR | (Addition) | 1 | 01 |
| | 04 | C9811 | NCB31CK-105X | ----- | C CAPACITOR | (Deletion) | 1 | 01,02,03 |
| | 04 | C9811 | ----- | NCB31CK-105X | C CAPACITOR | (Addition) | 1 | 01 |
| | 04 | C9812 | NCB31CK-105X | ----- | C CAPACITOR | (Deletion) | 1 | 01,02,03 |
| | 04 | C9812 | ----- | NCB31CK-105X | C CAPACITOR | (Addition) | 1 | 01 |
| | 04 | C9813 | NCB31CK-105X | ----- | C CAPACITOR | (Deletion) | 1 | 01,02,03 |
| | 04 | C9813 | ----- | NCB31CK-105X | C CAPACITOR | (Addition) | 1 | 01 |
| | 04 | C9814 | NCB31CK-105X | ----- | C CAPACITOR | (Deletion) | 1 | 01,02,03 |
| | 04 | C9814 | ----- | NCB31CK-105X | C CAPACITOR | (Addition) | 1 | 01 |
| | 04 | C9815 | NCB31HK-103X | ----- | C CAPACITOR | (Deletion) | 1 | 01,02,03 |
| | 04 | C9815 | ----- | NCB31HK-103X | C CAPACITOR | (Addition) | 1 | 01 |
| | 04 | C9831 | NCB31CK-104X | ----- | C CAPACITOR | (Deletion) | 1 | 01,02,03 |
| | 04 | C9831 | ----- | NCB31CK-104X | C CAPACITOR | (Addition) | 1 | 01 |
| | 04 | C9833 | NBE41AM-226X | ----- | TA E CAPACITOR | (Deletion) | 1 | 01,02,03 |
| | 04 | C9833 | ----- | NBE41AM-226X | TA E CAPACITOR | (Addition) | 1 | 01 |
| | 04 | C9834 | NCB31CK-105X | ----- | C CAPACITOR | (Deletion) | 1 | 01,02,03 |
| | 04 | C9834 | ----- | NCB31CK-105X | C CAPACITOR | (Addition) | 1 | 01 |
| | 04 | C9836 | NCB31CK-105X | ----- | C CAPACITOR | (Deletion) | 1 | 01,02,03 |
| | 04 | C9836 | ----- | NCB31CK-105X | C CAPACITOR | (Addition) | 1 | 01 |
| | 04 | C9838 | NDC31HJ-101X | ----- | C CAPACITOR | (Deletion) | 1 | 01,02,03 |
| | 04 | C9838 | ----- | NDC31HJ-101X | C CAPACITOR | (Addition) | 1 | 01 |
| | 04 | C9840 | NDC31HJ-331X | ----- | C CAPACITOR | (Deletion) | 1 | 01,02,03 |
| | 04 | C9840 | ----- | NDC31HJ-331X | C CAPACITOR | (Addition) | 1 | 01 |
| | 04 | C9842 | NDC31HJ-101X | ----- | C CAPACITOR | (Deletion) | 1 | 01,02,03 |
| | 04 | C9842 | ----- | NDC31HJ-101X | C CAPACITOR | (Addition) | 1 | 01 |
| | 04 | C9851 | NBE51CM-476X | ----- | TA E CAPACITOR | (Deletion) | 1 | 01,02,03 |
| | 04 | C9851 | ----- | NBE51CM-476X | TA E CAPACITOR | (Addition) | 1 | 01 |
| | 04 | C9852 | NCB31CK-104X | ----- | C CAPACITOR | (Deletion) | 1 | 01,02,03 |
| | 04 | C9852 | ----- | NCB31CK-104X | C CAPACITOR | (Addition) | 1 | 01 |
| | 04 | C9853 | NCB31HK-103X | ----- | C CAPACITOR | (Deletion) | 1 | 01,02,03 |
| | 04 | C9853 | ----- | NCB31HK-103X | C CAPACITOR | (Addition) | 1 | 01 |
| | 04 | C9854 | NDC31HJ-101X | ----- | C CAPACITOR | (Deletion) | 1 | 01,02,03 |
| | 04 | C9854 | ----- | NDC31HJ-101X | C CAPACITOR | (Addition) | 1 | 01 |
| | 04 | C9855 | NCB31HK-102X | ----- | C CAPACITOR | (Deletion) | 1 | 01,02,03 |
| | 04 | C9855 | ----- | NCB31HK-102X | C CAPACITOR | (Addition) | 1 | 01 |
| | 04 | C9856 | NCB31HK-102X | ----- | C CAPACITOR | (Deletion) | 1 | 01,02,03 |
| | 04 | C9856 | ----- | NCB31HK-102X | C CAPACITOR | (Addition) | 1 | 01 |
| | 04 | C9857 | NBE41AM-106X | ----- | TA E CAPACITOR | (Deletion) | 1 | 01,02,03 |
| | 04 | C9857 | ----- | NBE41AM-106X | TA E CAPACITOR | (Addition) | 1 | 01 |
| | 04 | C9861 | NCB31CK-105X | ----- | C CAPACITOR | (Deletion) | 1 | 01,02,03 |
| | 04 | C9861 | ----- | NCB31CK-105X | C CAPACITOR | (Addition) | 1 | 01 |
| | 04 | C9862 | NCB31CK-105X | ----- | C CAPACITOR | (Deletion) | 1 | 01,02,03 |
| | 04 | C9862 | ----- | NCB31CK-105X | C CAPACITOR | (Addition) | 1 | 01 |

| △ | Symbol | or | Part No. | | Part Name | Description | Qty | Models |
|----|--------|----|----------------|----------------|----------------|-------------|-----|----------|
| | | | <Rev.001> | <Rev.002> | | | | |
| 04 | C9863 | | NCB31CK-105X | ----- | C CAPACITOR | (Deletion) | 1 | 01,02,03 |
| 04 | C9863 | | ----- | NCB31CK-105X | C CAPACITOR | (Addition) | 1 | 01 |
| 04 | C9871 | | NBE41CM-226X | ----- | TA E CAPACITOR | (Deletion) | 1 | 01,02,03 |
| 04 | C9871 | | ----- | NBE41CM-226X | TA E CAPACITOR | (Addition) | 1 | 01 |
| 04 | C9872 | | NCB31CK-105X | ----- | C CAPACITOR | (Deletion) | 1 | 01,02,03 |
| 04 | C9872 | | ----- | NCB31CK-105X | C CAPACITOR | (Addition) | 1 | 01 |
| 04 | C9873 | | NCJ21CK-106X-R | ----- | C CAPACITOR | (Deletion) | 1 | 01,02,03 |
| 04 | C9873 | | ----- | NCJ21CK-106X-R | C CAPACITOR | (Addition) | 1 | 01 |
| 04 | C9874 | | NCJ21CK-106X-R | ----- | C CAPACITOR | (Deletion) | 1 | 01,02,03 |
| 04 | C9874 | | ----- | NCJ21CK-106X-R | C CAPACITOR | (Addition) | 1 | 01 |
| 04 | C9911 | | NBE51CM-476X | ----- | TA E CAPACITOR | (Deletion) | 1 | 01,02,03 |
| 04 | C9911 | | ----- | NBE51CM-476X | TA E CAPACITOR | (Addition) | 1 | 01 |
| 04 | C9912 | | NCB31CK-104X | ----- | C CAPACITOR | (Deletion) | 1 | 01,02,03 |
| 04 | C9912 | | ----- | NCB31CK-104X | C CAPACITOR | (Addition) | 1 | 01 |
| 04 | C9913 | | NBE41CM-226X | ----- | TA E CAPACITOR | (Deletion) | 1 | 01,02,03 |
| 04 | C9913 | | ----- | NBE41CM-226X | TA E CAPACITOR | (Addition) | 1 | 01 |
| 04 | C9914 | | NCB31HK-103X | ----- | C CAPACITOR | (Deletion) | 1 | 01,02,03 |
| 04 | C9914 | | ----- | NCB31HK-103X | C CAPACITOR | (Addition) | 1 | 01 |
| 04 | C9921 | | NCB31CK-104X | ----- | C CAPACITOR | (Deletion) | 1 | 01,02,03 |
| 04 | C9921 | | ----- | NCB31CK-104X | C CAPACITOR | (Addition) | 1 | 01 |
| 04 | C9922 | | NBE41AM-226X | ----- | TA E CAPACITOR | (Deletion) | 1 | 01,02,03 |
| 04 | C9922 | | ----- | NBE41AM-226X | TA E CAPACITOR | (Addition) | 1 | 01 |
| 04 | C9923 | | NCB31CK-104X | ----- | C CAPACITOR | (Deletion) | 1 | 01,02,03 |
| 04 | C9923 | | ----- | NCB31CK-104X | C CAPACITOR | (Addition) | 1 | 01 |
| 04 | C9924 | | NCB31HK-103X | ----- | C CAPACITOR | (Deletion) | 1 | 01,02,03 |
| 04 | C9924 | | ----- | NCB31HK-103X | C CAPACITOR | (Addition) | 1 | 01 |
| 04 | C9931 | | NCB31CK-104X | ----- | C CAPACITOR | (Deletion) | 1 | 01,02,03 |
| 04 | C9931 | | ----- | NCB31CK-104X | C CAPACITOR | (Addition) | 1 | 01 |
| 04 | C9932 | | NBE41DM-106X | ----- | TA E CAPACITOR | (Deletion) | 1 | 01,02,03 |
| 04 | C9932 | | ----- | NBE41DM-106X | TA E CAPACITOR | (Addition) | 1 | 01 |
| 04 | C9933 | | NCJ11EK-106X-R | ----- | C CAPACITOR | (Deletion) | 1 | 01,02,03 |
| 04 | C9933 | | ----- | NCJ11EK-106X-R | C CAPACITOR | (Addition) | 1 | 01 |
| 04 | C9934 | | NCJ11EK-106X-R | ----- | C CAPACITOR | (Deletion) | 1 | 01,02,03 |
| 04 | C9934 | | ----- | NCJ11EK-106X-R | C CAPACITOR | (Addition) | 1 | 01 |
| 04 | R8301 | | NRSA63J-101X | ----- | MG RESISTOR | (Deletion) | 1 | 01,02,03 |
| 04 | R8301 | | ----- | NRSA63J-101X | MG RESISTOR | (Addition) | 1 | 01 |
| 04 | R8302 | | NRSA63J-101X | ----- | MG RESISTOR | (Deletion) | 1 | 01,02,03 |
| 04 | R8302 | | ----- | NRSA63J-101X | MG RESISTOR | (Addition) | 1 | 01 |
| 04 | R8303 | | NRSA63J-222X | ----- | MG RESISTOR | (Deletion) | 1 | 01,02,03 |
| 04 | R8303 | | ----- | NRSA63J-222X | MG RESISTOR | (Addition) | 1 | 01 |
| 04 | R8304 | | NRSA63J-222X | ----- | MG RESISTOR | (Deletion) | 1 | 01,02,03 |
| 04 | R8304 | | ----- | NRSA63J-222X | MG RESISTOR | (Addition) | 1 | 01 |
| 04 | R8305 | | NRSA63J-222X | ----- | MG RESISTOR | (Deletion) | 1 | 01,02,03 |
| 04 | R8305 | | ----- | NRSA63J-222X | MG RESISTOR | (Addition) | 1 | 01 |
| 04 | R8306 | | NRSA63J-222X | ----- | MG RESISTOR | (Deletion) | 1 | 01,02,03 |
| 04 | R8306 | | ----- | NRSA63J-222X | MG RESISTOR | (Addition) | 1 | 01 |
| 04 | R8601 | | NRSA63J-104X | ----- | MG RESISTOR | (Deletion) | 1 | 01,02,03 |
| 04 | R8601 | | ----- | NRSA63J-104X | MG RESISTOR | (Addition) | 1 | 01 |
| 04 | R8602 | | NRSA63J-104X | ----- | MG RESISTOR | (Deletion) | 1 | 01,02,03 |
| 04 | R8602 | | ----- | NRSA63J-104X | MG RESISTOR | (Addition) | 1 | 01 |
| 04 | R8603 | | NRSA63J-104X | ----- | MG RESISTOR | (Deletion) | 1 | 01,02,03 |
| 04 | R8603 | | ----- | NRSA63J-104X | MG RESISTOR | (Addition) | 1 | 01 |
| 04 | R9001 | | NRSA63J-101X | ----- | MG RESISTOR | (Deletion) | 1 | 01,02,03 |
| 04 | R9001 | | ----- | NRSA63J-101X | MG RESISTOR | (Addition) | 1 | 01 |
| 04 | R9002 | | NRSA63J-101X | ----- | MG RESISTOR | (Deletion) | 1 | 01,02,03 |
| 04 | R9002 | | ----- | NRSA63J-101X | MG RESISTOR | (Addition) | 1 | 01 |
| 04 | R9003 | | NRSA63J-102X | ----- | MG RESISTOR | (Deletion) | 1 | 01,02,03 |
| 04 | R9003 | | ----- | NRSA63J-102X | MG RESISTOR | (Addition) | 1 | 01 |
| 04 | R9004 | | NRSA63J-102X | ----- | MG RESISTOR | (Deletion) | 1 | 01,02,03 |
| 04 | R9004 | | ----- | NRSA63J-102X | MG RESISTOR | (Addition) | 1 | 01 |
| 04 | R9005 | | NRSA63J-102X | ----- | MG RESISTOR | (Deletion) | 1 | 01,02,03 |
| 04 | R9005 | | ----- | NRSA63J-102X | MG RESISTOR | (Addition) | 1 | 01 |
| 04 | R9006 | | NRSA63J-102X | ----- | MG RESISTOR | (Deletion) | 1 | 01,02,03 |
| 04 | R9006 | | ----- | NRSA63J-102X | MG RESISTOR | (Addition) | 1 | 01 |
| 04 | R9007 | | NRSA63J-102X | ----- | MG RESISTOR | (Deletion) | 1 | 01,02,03 |
| 04 | R9007 | | ----- | NRSA63J-102X | MG RESISTOR | (Addition) | 1 | 01 |
| 04 | R9008 | | NRSA63J-102X | ----- | MG RESISTOR | (Deletion) | 1 | 01,02,03 |
| 04 | R9008 | | ----- | NRSA63J-102X | MG RESISTOR | (Addition) | 1 | 01 |

| △ | Symbol | or | Part No. | | Part Name | Description | Qty | Models |
|---|--------|-------|--------------|--------------|-------------|-------------|-----|----------|
| | | | <Rev.001> | <Rev.002> | | | | |
| | 04 | R9009 | NRSA63J-102X | ----- | MG RESISTOR | (Deletion) | 1 | 01,02,03 |
| | 04 | R9009 | ----- | NRSA63J-102X | MG RESISTOR | (Addition) | 1 | 01 |
| | 04 | R9010 | NRSA63J-102X | ----- | MG RESISTOR | (Deletion) | 1 | 01,02,03 |
| | 04 | R9010 | ----- | NRSA63J-102X | MG RESISTOR | (Addition) | 1 | 01 |
| | 04 | R9011 | NRSA63J-102X | ----- | MG RESISTOR | (Deletion) | 1 | 01,02,03 |
| | 04 | R9011 | ----- | NRSA63J-102X | MG RESISTOR | (Addition) | 1 | 01 |
| | 04 | R9012 | NRSA63J-0R0X | ----- | MG RESISTOR | (Deletion) | 1 | 01,02,03 |
| | 04 | R9012 | ----- | NRSA63J-0R0X | MG RESISTOR | (Addition) | 1 | 01 |
| | 04 | R9013 | NRSA63J-472X | ----- | MG RESISTOR | (Deletion) | 1 | 01,02,03 |
| | 04 | R9013 | ----- | NRSA63J-472X | MG RESISTOR | (Addition) | 1 | 01 |
| | 04 | R9014 | NRSA63J-472X | ----- | MG RESISTOR | (Deletion) | 1 | 01,02,03 |
| | 04 | R9014 | ----- | NRSA63J-472X | MG RESISTOR | (Addition) | 1 | 01 |
| | 04 | R9015 | NRSA63J-103X | ----- | MG RESISTOR | (Deletion) | 1 | 01,02,03 |
| | 04 | R9015 | ----- | NRSA63J-103X | MG RESISTOR | (Addition) | 1 | 01 |
| | 04 | R9021 | NRSA63J-0R0X | ----- | MG RESISTOR | (Deletion) | 1 | 01,02,03 |
| | 04 | R9021 | ----- | NRSA63J-0R0X | MG RESISTOR | (Addition) | 1 | 01 |
| | 04 | R9022 | NRSA63J-102X | ----- | MG RESISTOR | (Deletion) | 1 | 01,02,03 |
| | 04 | R9022 | ----- | NRSA63J-102X | MG RESISTOR | (Addition) | 1 | 01 |
| | 04 | R9023 | NRSA63J-102X | ----- | MG RESISTOR | (Deletion) | 1 | 01,02,03 |
| | 04 | R9023 | ----- | NRSA63J-102X | MG RESISTOR | (Addition) | 1 | 01 |
| | 04 | R9024 | NRSA63J-102X | ----- | MG RESISTOR | (Deletion) | 1 | 01,02,03 |
| | 04 | R9024 | ----- | NRSA63J-102X | MG RESISTOR | (Addition) | 1 | 01 |
| | 04 | R9025 | NRSA63J-102X | ----- | MG RESISTOR | (Deletion) | 1 | 01,02,03 |
| | 04 | R9025 | ----- | NRSA63J-102X | MG RESISTOR | (Addition) | 1 | 01 |
| | 04 | R9026 | NRSA63J-561X | ----- | MG RESISTOR | (Deletion) | 1 | 01,02,03 |
| | 04 | R9026 | ----- | NRSA63J-561X | MG RESISTOR | (Addition) | 1 | 01 |
| | 04 | R9027 | NRSA63J-561X | ----- | MG RESISTOR | (Deletion) | 1 | 01,02,03 |
| | 04 | R9027 | ----- | NRSA63J-561X | MG RESISTOR | (Addition) | 1 | 01 |
| | 04 | R9028 | NRSA63J-101X | ----- | MG RESISTOR | (Deletion) | 1 | 01,02,03 |
| | 04 | R9028 | ----- | NRSA63J-101X | MG RESISTOR | (Addition) | 1 | 01 |
| | 04 | R9029 | NRSA63J-102X | ----- | MG RESISTOR | (Deletion) | 1 | 01,02,03 |
| | 04 | R9029 | ----- | NRSA63J-102X | MG RESISTOR | (Addition) | 1 | 01 |
| | 04 | R9030 | NRSA63J-102X | ----- | MG RESISTOR | (Deletion) | 1 | 01,02,03 |
| | 04 | R9030 | ----- | NRSA63J-102X | MG RESISTOR | (Addition) | 1 | 01 |
| | 04 | R9033 | NRSA63J-103X | ----- | MG RESISTOR | (Deletion) | 1 | 01,02,03 |
| | 04 | R9033 | ----- | NRSA63J-103X | MG RESISTOR | (Addition) | 1 | 01 |
| | 04 | R9041 | NRSA63J-102X | ----- | MG RESISTOR | (Deletion) | 1 | 01,02,03 |
| | 04 | R9041 | ----- | NRSA63J-102X | MG RESISTOR | (Addition) | 1 | 01 |
| | 04 | R9042 | NRSA63J-102X | ----- | MG RESISTOR | (Deletion) | 1 | 01,02,03 |
| | 04 | R9042 | ----- | NRSA63J-102X | MG RESISTOR | (Addition) | 1 | 01 |
| | 04 | R9043 | NRSA63J-102X | ----- | MG RESISTOR | (Deletion) | 1 | 01,02,03 |
| | 04 | R9043 | ----- | NRSA63J-102X | MG RESISTOR | (Addition) | 1 | 01 |
| | 04 | R9044 | NRSA63J-102X | ----- | MG RESISTOR | (Deletion) | 1 | 01,02,03 |
| | 04 | R9044 | ----- | NRSA63J-102X | MG RESISTOR | (Addition) | 1 | 01 |
| | 04 | R9045 | NRSA63J-102X | ----- | MG RESISTOR | (Deletion) | 1 | 01,02,03 |
| | 04 | R9045 | ----- | NRSA63J-102X | MG RESISTOR | (Addition) | 1 | 01 |
| | 04 | R9049 | NRSA63J-102X | ----- | MG RESISTOR | (Deletion) | 1 | 01,02,03 |
| | 04 | R9049 | ----- | NRSA63J-102X | MG RESISTOR | (Addition) | 1 | 01 |
| | 04 | R9050 | NRSA63J-102X | ----- | MG RESISTOR | (Deletion) | 1 | 01,02,03 |
| | 04 | R9050 | ----- | NRSA63J-102X | MG RESISTOR | (Addition) | 1 | 01 |
| | 04 | R9051 | NRSA63J-102X | ----- | MG RESISTOR | (Deletion) | 1 | 01,02,03 |
| | 04 | R9051 | ----- | NRSA63J-102X | MG RESISTOR | (Addition) | 1 | 01 |
| | 04 | R9052 | NRSA63J-102X | ----- | MG RESISTOR | (Deletion) | 1 | 01,02,03 |
| | 04 | R9052 | ----- | NRSA63J-102X | MG RESISTOR | (Addition) | 1 | 01 |
| | 04 | R9053 | NRSA63J-822X | ----- | MG RESISTOR | (Deletion) | 1 | 01,02,03 |
| | 04 | R9053 | ----- | NRSA63J-822X | MG RESISTOR | (Addition) | 1 | 01 |
| | 04 | R9062 | NRSA63J-103X | ----- | MG RESISTOR | (Deletion) | 1 | 01,02,03 |
| | 04 | R9062 | ----- | NRSA63J-103X | MG RESISTOR | (Addition) | 1 | 01 |
| | 04 | R9063 | NRSA63J-103X | ----- | MG RESISTOR | (Deletion) | 1 | 01,02,03 |
| | 04 | R9063 | ----- | NRSA63J-103X | MG RESISTOR | (Addition) | 1 | 01 |
| | 04 | R9064 | NRSA63J-222X | ----- | MG RESISTOR | (Deletion) | 1 | 01,02,03 |
| | 04 | R9064 | ----- | NRSA63J-222X | MG RESISTOR | (Addition) | 1 | 01 |
| | 04 | R9065 | NRSA63J-102X | ----- | MG RESISTOR | (Deletion) | 1 | 01,02,03 |
| | 04 | R9065 | ----- | NRSA63J-102X | MG RESISTOR | (Addition) | 1 | 01 |
| | 04 | R9066 | NRSA63J-472X | ----- | MG RESISTOR | (Deletion) | 1 | 01,02,03 |
| | 04 | R9066 | ----- | NRSA63J-472X | MG RESISTOR | (Addition) | 1 | 01 |
| | 04 | R9067 | NRSA63J-473X | ----- | MG RESISTOR | (Deletion) | 1 | 01,02,03 |
| | 04 | R9067 | ----- | NRSA63J-473X | MG RESISTOR | (Addition) | 1 | 01 |

| △ | Symbol | or | Part No. | | Part Name | Description | Qty | Models |
|----|--------|----|--------------|--------------|-------------|-------------|-----|----------|
| | | | <Rev.001> | <Rev.002> | | | | |
| 04 | R9279 | | NRSA63J-101X | ----- | MG RESISTOR | (Deletion) | 1 | 01,02,03 |
| 04 | R9279 | | ----- | NRSA63J-101X | MG RESISTOR | (Addition) | 1 | 01 |
| 04 | R9280 | | NRSA63J-101X | ----- | MG RESISTOR | (Deletion) | 1 | 01,02,03 |
| 04 | R9280 | | ----- | NRSA63J-101X | MG RESISTOR | (Addition) | 1 | 01 |
| 04 | R9281 | | NRSA63J-101X | ----- | MG RESISTOR | (Deletion) | 1 | 01,02,03 |
| 04 | R9281 | | ----- | NRSA63J-101X | MG RESISTOR | (Addition) | 1 | 01 |
| 04 | R9282 | | NRSA63J-101X | ----- | MG RESISTOR | (Deletion) | 1 | 01,02,03 |
| 04 | R9282 | | ----- | NRSA63J-101X | MG RESISTOR | (Addition) | 1 | 01 |
| 04 | R9284 | | NRSA63J-101X | ----- | MG RESISTOR | (Deletion) | 1 | 01,02,03 |
| 04 | R9284 | | ----- | NRSA63J-101X | MG RESISTOR | (Addition) | 1 | 01 |
| 04 | R9292 | | NRSA63J-103X | ----- | MG RESISTOR | (Deletion) | 1 | 01,02,03 |
| 04 | R9292 | | ----- | NRSA63J-103X | MG RESISTOR | (Addition) | 1 | 01 |
| 04 | R9298 | | NRSA63J-103X | ----- | MG RESISTOR | (Deletion) | 1 | 01,02,03 |
| 04 | R9298 | | ----- | NRSA63J-103X | MG RESISTOR | (Addition) | 1 | 01 |
| 04 | R9299 | | NRSA63J-103X | ----- | MG RESISTOR | (Deletion) | 1 | 01,02,03 |
| 04 | R9299 | | ----- | NRSA63J-103X | MG RESISTOR | (Addition) | 1 | 01 |
| 04 | R9300 | | NRSA63J-103X | ----- | MG RESISTOR | (Deletion) | 1 | 01,02,03 |
| 04 | R9300 | | ----- | NRSA63J-103X | MG RESISTOR | (Addition) | 1 | 01 |
| 04 | R9301 | | NRSA63J-103X | ----- | MG RESISTOR | (Deletion) | 1 | 01,02,03 |
| 04 | R9301 | | ----- | NRSA63J-103X | MG RESISTOR | (Addition) | 1 | 01 |
| 04 | R9302 | | NRSA63J-103X | ----- | MG RESISTOR | (Deletion) | 1 | 01,02,03 |
| 04 | R9302 | | ----- | NRSA63J-103X | MG RESISTOR | (Addition) | 1 | 01 |
| 04 | R9306 | | NRSA63J-101X | ----- | MG RESISTOR | (Deletion) | 1 | 01,02,03 |
| 04 | R9306 | | ----- | NRSA63J-101X | MG RESISTOR | (Addition) | 1 | 01 |
| 04 | R9307 | | NRSA63J-103X | ----- | MG RESISTOR | (Deletion) | 1 | 01,02,03 |
| 04 | R9307 | | ----- | NRSA63J-103X | MG RESISTOR | (Addition) | 1 | 01 |
| 04 | R9308 | | NRSA63J-103X | ----- | MG RESISTOR | (Deletion) | 1 | 01,02,03 |
| 04 | R9308 | | ----- | NRSA63J-103X | MG RESISTOR | (Addition) | 1 | 01 |
| 04 | R9309 | | NRSA63J-101X | ----- | MG RESISTOR | (Deletion) | 1 | 01,02,03 |
| 04 | R9309 | | ----- | NRSA63J-101X | MG RESISTOR | (Addition) | 1 | 01 |
| 04 | R9310 | | NRSA63J-101X | ----- | MG RESISTOR | (Deletion) | 1 | 01,02,03 |
| 04 | R9310 | | ----- | NRSA63J-101X | MG RESISTOR | (Addition) | 1 | 01 |
| 04 | R9311 | | NRSA63J-101X | ----- | MG RESISTOR | (Deletion) | 1 | 01,02,03 |
| 04 | R9311 | | ----- | NRSA63J-101X | MG RESISTOR | (Addition) | 1 | 01 |
| 04 | R9316 | | NRSA63J-101X | ----- | MG RESISTOR | (Deletion) | 1 | 01,02,03 |
| 04 | R9316 | | ----- | NRSA63J-101X | MG RESISTOR | (Addition) | 1 | 01 |
| 04 | R9322 | | NRSA63J-0R0X | ----- | MG RESISTOR | (Deletion) | 1 | 01,02,03 |
| 04 | R9322 | | ----- | NRSA63J-0R0X | MG RESISTOR | (Addition) | 1 | 01 |
| 04 | R9401 | | NRSA63D-103X | ----- | MG RESISTOR | (Deletion) | 1 | 01,02,03 |
| 04 | R9401 | | ----- | NRSA63D-103X | MG RESISTOR | (Addition) | 1 | 01 |
| 04 | R9402 | | NRSA63D-103X | ----- | MG RESISTOR | (Deletion) | 1 | 01,02,03 |
| 04 | R9402 | | ----- | NRSA63D-103X | MG RESISTOR | (Addition) | 1 | 01 |
| 04 | R9403 | | NRSA63D-223X | ----- | MG RESISTOR | (Deletion) | 1 | 01,02,03 |
| 04 | R9403 | | ----- | NRSA63D-223X | MG RESISTOR | (Addition) | 1 | 01 |
| 04 | R9404 | | NRSA63J-390X | ----- | MG RESISTOR | (Deletion) | 1 | 01,02,03 |
| 04 | R9404 | | ----- | NRSA63J-390X | MG RESISTOR | (Addition) | 1 | 01 |
| 04 | R9405 | | NRSA63J-104X | ----- | MG RESISTOR | (Deletion) | 1 | 01,02,03 |
| 04 | R9405 | | ----- | NRSA63J-104X | MG RESISTOR | (Addition) | 1 | 01 |
| 04 | R9406 | | NRSA63D-183X | ----- | MG RESISTOR | (Deletion) | 1 | 01,02,03 |
| 04 | R9406 | | ----- | NRSA63D-183X | MG RESISTOR | (Addition) | 1 | 01 |
| 04 | R9407 | | NRSA63J-474X | ----- | MG RESISTOR | (Deletion) | 1 | 01,02,03 |
| 04 | R9407 | | ----- | NRSA63J-474X | MG RESISTOR | (Addition) | 1 | 01 |
| 04 | R9408 | | NRSA63J-474X | ----- | MG RESISTOR | (Deletion) | 1 | 01,02,03 |
| 04 | R9408 | | ----- | NRSA63J-474X | MG RESISTOR | (Addition) | 1 | 01 |
| 04 | R9409 | | NRSA63J-101X | ----- | MG RESISTOR | (Deletion) | 1 | 01,02,03 |
| 04 | R9409 | | ----- | NRSA63J-101X | MG RESISTOR | (Addition) | 1 | 01 |
| 04 | R9410 | | NRSA63J-103X | ----- | MG RESISTOR | (Deletion) | 1 | 01,02,03 |
| 04 | R9410 | | ----- | NRSA63J-103X | MG RESISTOR | (Addition) | 1 | 01 |
| 04 | R9411 | | NRSA63J-103X | ----- | MG RESISTOR | (Deletion) | 1 | 01,02,03 |
| 04 | R9411 | | ----- | NRSA63J-103X | MG RESISTOR | (Addition) | 1 | 01 |
| 04 | R9412 | | NRSA63J-390X | ----- | MG RESISTOR | (Deletion) | 1 | 01,02,03 |
| 04 | R9412 | | ----- | NRSA63J-390X | MG RESISTOR | (Addition) | 1 | 01 |
| 04 | R9413 | | NRSA63J-2R2X | ----- | MG RESISTOR | (Deletion) | 1 | 01,02,03 |
| 04 | R9413 | | ----- | NRSA63J-2R2X | MG RESISTOR | (Addition) | 1 | 01 |
| 04 | R9414 | | NRSA63J-2R2X | ----- | MG RESISTOR | (Deletion) | 1 | 01,02,03 |
| 04 | R9414 | | ----- | NRSA63J-2R2X | MG RESISTOR | (Addition) | 1 | 01 |
| 04 | R9415 | | NRSA63J-390X | ----- | MG RESISTOR | (Deletion) | 1 | 01,02,03 |
| 04 | R9415 | | ----- | NRSA63J-390X | MG RESISTOR | (Addition) | 1 | 01 |

| △ | Symbol | or | Part No. | | Part Name | Description | Qty | Models |
|---|--------|-------|--------------|--------------|-------------|-------------|-----|----------|
| | | | <Rev.001> | <Rev.002> | | | | |
| | 04 | R9416 | NRSA63D-473X | ----- | MG RESISTOR | (Deletion) | 1 | 01,02,03 |
| | 04 | R9416 | ----- | NRSA63D-473X | MG RESISTOR | (Addition) | 1 | 01 |
| | 04 | R9417 | NRSA63D-243X | ----- | MG RESISTOR | (Deletion) | 1 | 01,02,03 |
| | 04 | R9417 | ----- | NRSA63D-243X | MG RESISTOR | (Addition) | 1 | 01 |
| | 04 | R9418 | NRSA63J-103X | ----- | MG RESISTOR | (Deletion) | 1 | 01,02,03 |
| | 04 | R9418 | ----- | NRSA63J-103X | MG RESISTOR | (Addition) | 1 | 01 |
| | 04 | R9452 | NRSA63J-0R0X | ----- | MG RESISTOR | (Deletion) | 1 | 01,02,03 |
| | 04 | R9452 | ----- | NRSA63J-0R0X | MG RESISTOR | (Addition) | 1 | 01 |
| | 04 | R9453 | NRSA63J-0R0X | ----- | MG RESISTOR | (Deletion) | 1 | 01,02,03 |
| | 04 | R9453 | ----- | NRSA63J-0R0X | MG RESISTOR | (Addition) | 1 | 01 |
| | 04 | R9461 | NRSA63D-240X | ----- | MG RESISTOR | (Deletion) | 1 | 01,02,03 |
| | 04 | R9461 | ----- | NRSA63D-240X | MG RESISTOR | (Addition) | 1 | 01 |
| | 04 | R9462 | NRSA63D-221X | ----- | MG RESISTOR | (Deletion) | 1 | 01,02,03 |
| | 04 | R9462 | ----- | NRSA63D-221X | MG RESISTOR | (Addition) | 1 | 01 |
| | 04 | R9463 | NRSA63D-820X | ----- | MG RESISTOR | (Deletion) | 1 | 01,02,03 |
| | 04 | R9463 | ----- | NRSA63D-820X | MG RESISTOR | (Addition) | 1 | 01 |
| | 04 | R9464 | NRSA63D-470X | ----- | MG RESISTOR | (Deletion) | 1 | 01,02,03 |
| | 04 | R9464 | ----- | NRSA63D-470X | MG RESISTOR | (Addition) | 1 | 01 |
| | 04 | R9465 | NRSA63D-390X | ----- | MG RESISTOR | (Deletion) | 1 | 01,02,03 |
| | 04 | R9465 | ----- | NRSA63D-390X | MG RESISTOR | (Addition) | 1 | 01 |
| | 04 | R9466 | NRSA63D-430X | ----- | MG RESISTOR | (Deletion) | 1 | 01,02,03 |
| | 04 | R9466 | ----- | NRSA63D-430X | MG RESISTOR | (Addition) | 1 | 01 |
| | 04 | R9467 | NRSA63D-470X | ----- | MG RESISTOR | (Deletion) | 1 | 01,02,03 |
| | 04 | R9467 | ----- | NRSA63D-470X | MG RESISTOR | (Addition) | 1 | 01 |
| | 04 | R9468 | NRSA63D-680X | ----- | MG RESISTOR | (Deletion) | 1 | 01,02,03 |
| | 04 | R9468 | ----- | NRSA63D-680X | MG RESISTOR | (Addition) | 1 | 01 |
| | 04 | R9469 | NRSA63D-161X | ----- | MG RESISTOR | (Deletion) | 1 | 01,02,03 |
| | 04 | R9469 | ----- | NRSA63D-161X | MG RESISTOR | (Addition) | 1 | 01 |
| | 04 | R9470 | NRSA63D-201X | ----- | MG RESISTOR | (Deletion) | 1 | 01,02,03 |
| | 04 | R9470 | ----- | NRSA63D-201X | MG RESISTOR | (Addition) | 1 | 01 |
| | 04 | R9471 | NRSA63D-100X | ----- | MG RESISTOR | (Deletion) | 1 | 01,02,03 |
| | 04 | R9471 | ----- | NRSA63D-100X | MG RESISTOR | (Addition) | 1 | 01 |
| | 04 | R9472 | NRSA63D-100X | ----- | MG RESISTOR | (Deletion) | 1 | 01,02,03 |
| | 04 | R9472 | ----- | NRSA63D-100X | MG RESISTOR | (Addition) | 1 | 01 |
| | 04 | R9501 | NRSA63J-205X | ----- | MG RESISTOR | (Deletion) | 1 | 01,02,03 |
| | 04 | R9501 | ----- | NRSA63J-205X | MG RESISTOR | (Addition) | 1 | 01 |
| | 04 | R9502 | NRSA63J-134X | ----- | MG RESISTOR | (Deletion) | 1 | 01,02,03 |
| | 04 | R9502 | ----- | NRSA63J-134X | MG RESISTOR | (Addition) | 1 | 01 |
| | 04 | R9503 | NRSA63J-2R0X | ----- | MG RESISTOR | (Deletion) | 1 | 01,02,03 |
| | 04 | R9503 | ----- | NRSA63J-2R0X | MG RESISTOR | (Addition) | 1 | 01 |
| | 04 | R9504 | NRSA63J-2R0X | ----- | MG RESISTOR | (Deletion) | 1 | 01,02,03 |
| | 04 | R9504 | ----- | NRSA63J-2R0X | MG RESISTOR | (Addition) | 1 | 01 |
| | 04 | R9505 | NRSA63D-392X | ----- | MG RESISTOR | (Deletion) | 1 | 01,02,03 |
| | 04 | R9505 | ----- | NRSA63D-392X | MG RESISTOR | (Addition) | 1 | 01 |
| | 04 | R9506 | NRSA63D-393X | ----- | MG RESISTOR | (Deletion) | 1 | 01,02,03 |
| | 04 | R9506 | ----- | NRSA63D-393X | MG RESISTOR | (Addition) | 1 | 01 |
| | 04 | R9507 | NRSA63J-0R0X | ----- | MG RESISTOR | (Deletion) | 1 | 01,02,03 |
| | 04 | R9507 | ----- | NRSA63J-0R0X | MG RESISTOR | (Addition) | 1 | 01 |
| | 04 | R9511 | NRSA63J-222X | ----- | MG RESISTOR | (Deletion) | 1 | 01,02,03 |
| | 04 | R9511 | ----- | NRSA63J-222X | MG RESISTOR | (Addition) | 1 | 01 |
| | 04 | R9512 | NRSA63J-222X | ----- | MG RESISTOR | (Deletion) | 1 | 01,02,03 |
| | 04 | R9512 | ----- | NRSA63J-222X | MG RESISTOR | (Addition) | 1 | 01 |
| | 04 | R9513 | NRSA63J-102X | ----- | MG RESISTOR | (Deletion) | 1 | 01,02,03 |
| | 04 | R9513 | ----- | NRSA63J-102X | MG RESISTOR | (Addition) | 1 | 01 |
| | 04 | R9514 | NRSA63J-1R0X | ----- | MG RESISTOR | (Deletion) | 1 | 01,02,03 |
| | 04 | R9514 | ----- | NRSA63J-1R0X | MG RESISTOR | (Addition) | 1 | 01 |
| | 04 | R9515 | NRSA63J-1R0X | ----- | MG RESISTOR | (Deletion) | 1 | 01,02,03 |
| | 04 | R9515 | ----- | NRSA63J-1R0X | MG RESISTOR | (Addition) | 1 | 01 |
| | 04 | R9516 | NRSA63J-102X | ----- | MG RESISTOR | (Deletion) | 1 | 01,02,03 |
| | 04 | R9516 | ----- | NRSA63J-102X | MG RESISTOR | (Addition) | 1 | 01 |
| | 04 | R9601 | NRSA02J-682X | ----- | MG RESISTOR | (Deletion) | 1 | 01,02,03 |
| | 04 | R9601 | ----- | NRSA02J-682X | MG RESISTOR | (Addition) | 1 | 01 |
| | 04 | R9602 | NRSA02J-222X | ----- | MG RESISTOR | (Deletion) | 1 | 01,02,03 |
| | 04 | R9602 | ----- | NRSA02J-222X | MG RESISTOR | (Addition) | 1 | 01 |
| | 04 | R9603 | NRSA02J-332X | ----- | MG RESISTOR | (Deletion) | 1 | 01,02,03 |
| | 04 | R9603 | ----- | NRSA02J-332X | MG RESISTOR | (Addition) | 1 | 01 |
| | 04 | R9701 | NRSA63J-101X | ----- | MG RESISTOR | (Deletion) | 1 | 01,02,03 |
| | 04 | R9701 | ----- | NRSA63J-101X | MG RESISTOR | (Addition) | 1 | 01 |

| △ | Symbol | or | Part No. | | Part Name | Description | Qty | Models |
|----|--------|----|--------------|--------------|-------------|-------------|-----|----------|
| | | | <Rev.001> | <Rev.002> | | | | |
| 04 | R9702 | | NRSA63J-101X | ----- | MG RESISTOR | (Deletion) | 1 | 01,02,03 |
| 04 | R9702 | | ----- | NRSA63J-101X | MG RESISTOR | (Addition) | 1 | 01 |
| 04 | R9703 | | NRSA63J-101X | ----- | MG RESISTOR | (Deletion) | 1 | 01,02,03 |
| 04 | R9703 | | ----- | NRSA63J-101X | MG RESISTOR | (Addition) | 1 | 01 |
| 04 | R9704 | | NRSA63J-224X | ----- | MG RESISTOR | (Deletion) | 1 | 01,02,03 |
| 04 | R9704 | | ----- | NRSA63J-224X | MG RESISTOR | (Addition) | 1 | 01 |
| 04 | R9706 | | NRSA63J-224X | ----- | MG RESISTOR | (Deletion) | 1 | 01,02,03 |
| 04 | R9706 | | ----- | NRSA63J-224X | MG RESISTOR | (Addition) | 1 | 01 |
| 04 | R9710 | | NRSA63J-224X | ----- | MG RESISTOR | (Deletion) | 1 | 01,02,03 |
| 04 | R9710 | | ----- | NRSA63J-224X | MG RESISTOR | (Addition) | 1 | 01 |
| 04 | R9712 | | NRSA63J-103X | ----- | MG RESISTOR | (Deletion) | 1 | 01,02,03 |
| 04 | R9712 | | ----- | NRSA63J-103X | MG RESISTOR | (Addition) | 1 | 01 |
| 04 | R9713 | | NRSA63J-103X | ----- | MG RESISTOR | (Deletion) | 1 | 01,02,03 |
| 04 | R9713 | | ----- | NRSA63J-103X | MG RESISTOR | (Addition) | 1 | 01 |
| 04 | R9714 | | NRSA63J-222X | ----- | MG RESISTOR | (Deletion) | 1 | 01,02,03 |
| 04 | R9714 | | ----- | NRSA63J-222X | MG RESISTOR | (Addition) | 1 | 01 |
| 04 | R9715 | | NRSA63J-103X | ----- | MG RESISTOR | (Deletion) | 1 | 01,02,03 |
| 04 | R9715 | | ----- | NRSA63J-103X | MG RESISTOR | (Addition) | 1 | 01 |
| 04 | R9716 | | NRSA63J-750X | ----- | MG RESISTOR | (Deletion) | 1 | 01,02,03 |
| 04 | R9716 | | ----- | NRSA63J-750X | MG RESISTOR | (Addition) | 1 | 01 |
| 04 | R9717 | | NRSA63J-222X | ----- | MG RESISTOR | (Deletion) | 1 | 01,02,03 |
| 04 | R9717 | | ----- | NRSA63J-222X | MG RESISTOR | (Addition) | 1 | 01 |
| 04 | R9718 | | NRSA63J-222X | ----- | MG RESISTOR | (Deletion) | 1 | 01,02,03 |
| 04 | R9718 | | ----- | NRSA63J-222X | MG RESISTOR | (Addition) | 1 | 01 |
| 04 | R9719 | | NRSA63J-103X | ----- | MG RESISTOR | (Deletion) | 1 | 01,02,03 |
| 04 | R9719 | | ----- | NRSA63J-103X | MG RESISTOR | (Addition) | 1 | 01 |
| 04 | R9720 | | NRSA63J-750X | ----- | MG RESISTOR | (Deletion) | 1 | 01,02,03 |
| 04 | R9720 | | ----- | NRSA63J-750X | MG RESISTOR | (Addition) | 1 | 01 |
| 04 | R9721 | | NRSA63J-222X | ----- | MG RESISTOR | (Deletion) | 1 | 01,02,03 |
| 04 | R9721 | | ----- | NRSA63J-222X | MG RESISTOR | (Addition) | 1 | 01 |
| 04 | R9723 | | NRSA63J-0R0X | ----- | MG RESISTOR | (Deletion) | 1 | 01,02,03 |
| 04 | R9723 | | ----- | NRSA63J-0R0X | MG RESISTOR | (Addition) | 1 | 01 |
| 04 | R9731 | | NRSA63J-103X | ----- | MG RESISTOR | (Deletion) | 1 | 01,02,03 |
| 04 | R9731 | | ----- | NRSA63J-103X | MG RESISTOR | (Addition) | 1 | 01 |
| 04 | R9732 | | NRSA63J-103X | ----- | MG RESISTOR | (Deletion) | 1 | 01,02,03 |
| 04 | R9732 | | ----- | NRSA63J-103X | MG RESISTOR | (Addition) | 1 | 01 |
| 04 | R9733 | | NRSA63J-223X | ----- | MG RESISTOR | (Deletion) | 1 | 01,02,03 |
| 04 | R9733 | | ----- | NRSA63J-223X | MG RESISTOR | (Addition) | 1 | 01 |
| 04 | R9734 | | NRSA63J-223X | ----- | MG RESISTOR | (Deletion) | 1 | 01,02,03 |
| 04 | R9734 | | ----- | NRSA63J-223X | MG RESISTOR | (Addition) | 1 | 01 |
| 04 | R9735 | | NRSA63J-303X | ----- | MG RESISTOR | (Deletion) | 1 | 01,02,03 |
| 04 | R9735 | | ----- | NRSA63J-303X | MG RESISTOR | (Addition) | 1 | 01 |
| 04 | R9736 | | NRSA63J-303X | ----- | MG RESISTOR | (Deletion) | 1 | 01,02,03 |
| 04 | R9736 | | ----- | NRSA63J-303X | MG RESISTOR | (Addition) | 1 | 01 |
| 04 | R9737 | | NRSA63J-104X | ----- | MG RESISTOR | (Deletion) | 1 | 01,02,03 |
| 04 | R9737 | | ----- | NRSA63J-104X | MG RESISTOR | (Addition) | 1 | 01 |
| 04 | R9743 | | NRSA63J-303X | ----- | MG RESISTOR | (Deletion) | 1 | 01,02,03 |
| 04 | R9743 | | ----- | NRSA63J-303X | MG RESISTOR | (Addition) | 1 | 01 |
| 04 | R9744 | | NRSA63J-303X | ----- | MG RESISTOR | (Deletion) | 1 | 01,02,03 |
| 04 | R9744 | | ----- | NRSA63J-303X | MG RESISTOR | (Addition) | 1 | 01 |
| 04 | R9745 | | NRSA63J-223X | ----- | MG RESISTOR | (Deletion) | 1 | 01,02,03 |
| 04 | R9745 | | ----- | NRSA63J-223X | MG RESISTOR | (Addition) | 1 | 01 |
| 04 | R9746 | | NRSA63J-223X | ----- | MG RESISTOR | (Deletion) | 1 | 01,02,03 |
| 04 | R9746 | | ----- | NRSA63J-223X | MG RESISTOR | (Addition) | 1 | 01 |
| 04 | R9753 | | NRSA63J-103X | ----- | MG RESISTOR | (Deletion) | 1 | 01,02,03 |
| 04 | R9753 | | ----- | NRSA63J-103X | MG RESISTOR | (Addition) | 1 | 01 |
| 04 | R9754 | | NRSA63J-103X | ----- | MG RESISTOR | (Deletion) | 1 | 01,02,03 |
| 04 | R9754 | | ----- | NRSA63J-103X | MG RESISTOR | (Addition) | 1 | 01 |
| 04 | R9811 | | NRSA63J-331X | ----- | MG RESISTOR | (Deletion) | 1 | 01,02,03 |
| 04 | R9811 | | ----- | NRSA63J-331X | MG RESISTOR | (Addition) | 1 | 01 |
| 04 | R9812 | | NRSA63J-331X | ----- | MG RESISTOR | (Deletion) | 1 | 01,02,03 |
| 04 | R9812 | | ----- | NRSA63J-331X | MG RESISTOR | (Addition) | 1 | 01 |
| 04 | R9813 | | NRSA63J-331X | ----- | MG RESISTOR | (Deletion) | 1 | 01,02,03 |
| 04 | R9813 | | ----- | NRSA63J-331X | MG RESISTOR | (Addition) | 1 | 01 |
| 04 | R9814 | | NRSA63J-331X | ----- | MG RESISTOR | (Deletion) | 1 | 01,02,03 |
| 04 | R9814 | | ----- | NRSA63J-331X | MG RESISTOR | (Addition) | 1 | 01 |
| 04 | R9818 | | NRSA63J-0R0X | ----- | MG RESISTOR | (Deletion) | 1 | 01,02,03 |
| 04 | R9818 | | ----- | NRSA63J-0R0X | MG RESISTOR | (Addition) | 1 | 01 |

| △ | Symbol | or | Part No. | | Part Name | Description | Qty | Models |
|---|--------|-------|--------------|--------------|-------------|-------------|-----|----------|
| | | | <Rev.001> | <Rev.002> | | | | |
| | 04 | R9819 | NRSA63J-0R0X | ----- | MG RESISTOR | (Deletion) | 1 | 01,02,03 |
| | 04 | R9819 | ----- | NRSA63J-0R0X | MG RESISTOR | (Addition) | 1 | 01 |
| | 04 | R9820 | NRSA63J-0R0X | ----- | MG RESISTOR | (Deletion) | 1 | 01,02,03 |
| | 04 | R9820 | ----- | NRSA63J-0R0X | MG RESISTOR | (Addition) | 1 | 01 |
| | 04 | R9831 | NRSA63J-104X | ----- | MG RESISTOR | (Deletion) | 1 | 01,02,03 |
| | 04 | R9831 | ----- | NRSA63J-104X | MG RESISTOR | (Addition) | 1 | 01 |
| | 04 | R9832 | NRSA63J-104X | ----- | MG RESISTOR | (Deletion) | 1 | 01,02,03 |
| | 04 | R9832 | ----- | NRSA63J-104X | MG RESISTOR | (Addition) | 1 | 01 |
| | 04 | R9833 | NRSA63J-243X | ----- | MG RESISTOR | (Deletion) | 1 | 01,02,03 |
| | 04 | R9833 | ----- | NRSA63J-243X | MG RESISTOR | (Addition) | 1 | 01 |
| | 04 | R9835 | NRSA63J-243X | ----- | MG RESISTOR | (Deletion) | 1 | 01,02,03 |
| | 04 | R9835 | ----- | NRSA63J-243X | MG RESISTOR | (Addition) | 1 | 01 |
| | 04 | R9837 | NRSA63J-223X | ----- | MG RESISTOR | (Deletion) | 1 | 01,02,03 |
| | 04 | R9837 | ----- | NRSA63J-223X | MG RESISTOR | (Addition) | 1 | 01 |
| | 04 | R9839 | NRSA63J-223X | ----- | MG RESISTOR | (Deletion) | 1 | 01,02,03 |
| | 04 | R9839 | ----- | NRSA63J-223X | MG RESISTOR | (Addition) | 1 | 01 |
| | 04 | R9852 | NRSA63J-684X | ----- | MG RESISTOR | (Deletion) | 1 | 01,02,03 |
| | 04 | R9852 | ----- | NRSA63J-684X | MG RESISTOR | (Addition) | 1 | 01 |
| | 04 | R9853 | NRSA63J-302X | ----- | MG RESISTOR | (Deletion) | 1 | 01,02,03 |
| | 04 | R9853 | ----- | NRSA63J-302X | MG RESISTOR | (Addition) | 1 | 01 |
| | 04 | R9854 | NRSA63J-103X | ----- | MG RESISTOR | (Deletion) | 1 | 01,02,03 |
| | 04 | R9854 | ----- | NRSA63J-103X | MG RESISTOR | (Addition) | 1 | 01 |
| | 04 | R9855 | NRSA63J-333X | ----- | MG RESISTOR | (Deletion) | 1 | 01,02,03 |
| | 04 | R9855 | ----- | NRSA63J-333X | MG RESISTOR | (Addition) | 1 | 01 |
| | 04 | R9856 | NRSA63J-302X | ----- | MG RESISTOR | (Deletion) | 1 | 01,02,03 |
| | 04 | R9856 | ----- | NRSA63J-302X | MG RESISTOR | (Addition) | 1 | 01 |
| | 04 | R9857 | NRSA63J-103X | ----- | MG RESISTOR | (Deletion) | 1 | 01,02,03 |
| | 04 | R9857 | ----- | NRSA63J-103X | MG RESISTOR | (Addition) | 1 | 01 |
| | 04 | R9859 | NRSA63J-103X | ----- | MG RESISTOR | (Deletion) | 1 | 01,02,03 |
| | 04 | R9859 | ----- | NRSA63J-103X | MG RESISTOR | (Addition) | 1 | 01 |
| | 04 | R9861 | NRSA63J-224X | ----- | MG RESISTOR | (Deletion) | 1 | 01,02,03 |
| | 04 | R9861 | ----- | NRSA63J-224X | MG RESISTOR | (Addition) | 1 | 01 |
| | 04 | R9862 | NRSA63J-224X | ----- | MG RESISTOR | (Deletion) | 1 | 01,02,03 |
| | 04 | R9862 | ----- | NRSA63J-224X | MG RESISTOR | (Addition) | 1 | 01 |
| | 04 | R9863 | NRSA63J-101X | ----- | MG RESISTOR | (Deletion) | 1 | 01,02,03 |
| | 04 | R9863 | ----- | NRSA63J-101X | MG RESISTOR | (Addition) | 1 | 01 |
| | 04 | R9864 | NRSA63J-101X | ----- | MG RESISTOR | (Deletion) | 1 | 01,02,03 |
| | 04 | R9864 | ----- | NRSA63J-101X | MG RESISTOR | (Addition) | 1 | 01 |
| | 04 | R9871 | NRSA63J-0R0X | ----- | MG RESISTOR | (Deletion) | 1 | 01,02,03 |
| | 04 | R9871 | ----- | NRSA63J-0R0X | MG RESISTOR | (Addition) | 1 | 01 |
| | 04 | R9874 | NRSA63J-101X | ----- | MG RESISTOR | (Deletion) | 1 | 01,02,03 |
| | 04 | R9874 | ----- | NRSA63J-101X | MG RESISTOR | (Addition) | 1 | 01 |
| | 04 | R9875 | NRSA63J-101X | ----- | MG RESISTOR | (Deletion) | 1 | 01,02,03 |
| | 04 | R9875 | ----- | NRSA63J-101X | MG RESISTOR | (Addition) | 1 | 01 |
| | 04 | R9876 | NRSA02J-0R0X | ----- | MG RESISTOR | (Deletion) | 1 | 01,02,03 |
| | 04 | R9876 | ----- | NRSA02J-0R0X | MG RESISTOR | (Addition) | 1 | 01 |
| | 04 | R9931 | NRSA63D-133X | ----- | MG RESISTOR | (Deletion) | 1 | 01,02,03 |
| | 04 | R9931 | ----- | NRSA63D-133X | MG RESISTOR | (Addition) | 1 | 01 |
| | 04 | R9932 | NRSA63D-222X | ----- | MG RESISTOR | (Deletion) | 1 | 01,02,03 |
| | 04 | R9932 | ----- | NRSA63D-222X | MG RESISTOR | (Addition) | 1 | 01 |
| | 04 | L8501 | NQR0536-001X | ----- | CHOKE COIL | (Deletion) | 1 | 01,02,03 |
| | 04 | L8501 | ----- | NQR0536-001X | CHOKE COIL | (Addition) | 1 | 01 |
| | 04 | L9001 | NQL79GM-100X | ----- | COIL | (Deletion) | 1 | 01,02,03 |
| | 04 | L9001 | ----- | NQL79GM-100X | COIL | (Addition) | 1 | 01 |
| | 04 | L9201 | NQL79GM-100X | ----- | COIL | (Deletion) | 1 | 01,02,03 |
| | 04 | L9201 | ----- | NQL79GM-100X | COIL | (Addition) | 1 | 01 |
| | 04 | L9401 | NQL79GM-100X | ----- | COIL | (Deletion) | 1 | 01,02,03 |
| | 04 | L9401 | ----- | NQL79GM-100X | COIL | (Addition) | 1 | 01 |
| | 04 | L9402 | NQL79GM-100X | ----- | COIL | (Deletion) | 1 | 01,02,03 |
| | 04 | L9402 | ----- | NQL79GM-100X | COIL | (Addition) | 1 | 01 |
| | 04 | L9501 | NQLZ007-101X | ----- | CHOKE COIL | (Deletion) | 1 | 01,02,03 |
| | 04 | L9501 | ----- | NQLZ007-101X | CHOKE COIL | (Addition) | 1 | 01 |
| | 04 | L9502 | NQL52EM-100X | ----- | COIL | (Deletion) | 1 | 01,02,03 |
| | 04 | L9502 | ----- | NQL52EM-100X | COIL | (Addition) | 1 | 01 |
| | 04 | L9801 | NQL79GM-100X | ----- | COIL | (Deletion) | 1 | 01,02,03 |
| | 04 | L9801 | ----- | NQL79GM-100X | COIL | (Addition) | 1 | 01 |
| | 04 | L9851 | NRSA02J-0R0X | ----- | MG RESISTOR | (Deletion) | 1 | 01,02,03 |
| | 04 | L9851 | ----- | NRSA02J-0R0X | MG RESISTOR | (Addition) | 1 | 01 |

| △ | Symbol | or | Part No. | | Part Name | Description | Qty | Models |
|---|--------|-------|----------------|----------------|----------------|-------------|-----|----------|
| | | | <Rev.001> | <Rev.002> | | | | |
| | 04 | L9861 | NQL79GM-470X | ----- | COIL | (Deletion) | 1 | 01,02,03 |
| | 04 | L9861 | ----- | NQL79GM-470X | COIL | (Addition) | 1 | 01 |
| | 04 | L9871 | NQL79GM-470X | ----- | COIL | (Deletion) | 1 | 01,02,03 |
| | 04 | L9871 | ----- | NQL79GM-470X | COIL | (Addition) | 1 | 01 |
| | 04 | L9911 | NQL79GM-1R0X | ----- | COIL | (Deletion) | 1 | 01,02,03 |
| | 04 | L9911 | ----- | NQL79GM-1R0X | COIL | (Addition) | 1 | 01 |
| | 04 | CN801 | QGB0525L1-14X | ----- | CONNECTOR | (Deletion) | 1 | 01,02,03 |
| | 04 | CN801 | ----- | QGB0525L1-14X | CONNECTOR | (Addition) | 1 | 01 |
| | 04 | CN802 | QGF0536C2-10W | ----- | CONNECTOR | (Deletion) | 1 | 01,02,03 |
| | 04 | CN802 | ----- | QGF0536C2-10W | CONNECTOR | (Addition) | 1 | 01 |
| | 04 | CN841 | QGB0525M1-14X | ----- | CONNECTOR | (Deletion) | 1 | 01,02,03 |
| | 04 | CN841 | ----- | QGB0525M1-14X | CONNECTOR | (Addition) | 1 | 01 |
| | 04 | CN851 | QGF0536C2-07W | ----- | CONNECTOR | (Deletion) | 1 | 01,02,03 |
| | 04 | CN851 | ----- | QGF0536C2-07W | CONNECTOR | (Addition) | 1 | 01 |
| | 04 | CN861 | QGF0536C2-06W | ----- | CONNECTOR | (Deletion) | 1 | 01,02,03 |
| | 04 | CN861 | ----- | QGF0536C2-06W | CONNECTOR | (Addition) | 1 | 01 |
| | 04 | CN901 | QGF0534F3-40X | ----- | CONNECTOR | (Deletion) | 1 | 01,02,03 |
| | 04 | CN901 | ----- | QGF0534F3-40X | CONNECTOR | (Addition) | 1 | 01 |
| | 04 | CN902 | QGF0534F3-10X | ----- | CONNECTOR | (Deletion) | 1 | 01,02,03 |
| | 04 | CN902 | ----- | QGF0534F3-10X | CONNECTOR | (Addition) | 1 | 01 |
| | 04 | CN911 | QGF1039F2-04X | ----- | CONNECTOR | (Deletion) | 1 | 01,02,03 |
| | 04 | CN911 | ----- | QGF1039F2-04X | CONNECTOR | (Addition) | 1 | 01 |
| | 04 | CN921 | QGB0812L2-30X | ----- | CONNECTOR | (Deletion) | 1 | 01,02,03 |
| | 04 | CN921 | ----- | QGB0812L2-30X | CONNECTOR | (Addition) | 1 | 01 |
| | 04 | CN941 | QGF0534F2-60X | ----- | CONNECTOR | (Deletion) | 1 | 01,02,03 |
| | 04 | CN941 | ----- | QGF0534F2-60X | CONNECTOR | (Addition) | 1 | 01 |
| | 04 | CN951 | QGF0568F1-10W | ----- | CONNECTOR | (Deletion) | 1 | 01,02,03 |
| | 04 | CN951 | ----- | QGF0568F1-10W | CONNECTOR | (Addition) | 1 | 01 |
| | 04 | CN971 | QGF0534F3-06X | ----- | CONNECTOR | (Deletion) | 1 | 01,02,03 |
| | 04 | CN971 | ----- | QGF0534F3-06X | CONNECTOR | (Addition) | 1 | 01 |
| | 04 | EP851 | NNZ0129-001X | ----- | EARTH TERMINAL | (Deletion) | 1 | 01,02,03 |
| | 04 | EP851 | ----- | NNZ0129-001X | EARTH TERMINAL | (Addition) | 1 | 01 |
| | 04 | EP861 | NNZ0129-001X | ----- | EARTH TERMINAL | (Deletion) | 1 | 01,02,03 |
| | 04 | EP861 | ----- | NNZ0129-001X | EARTH TERMINAL | (Addition) | 1 | 01 |
| | 04 | EP991 | NNZ0129-001X | ----- | EARTH TERMINAL | (Deletion) | 1 | 01,02,03 |
| | 04 | EP991 | ----- | NNZ0129-001X | EARTH TERMINAL | (Addition) | 1 | 01 |
| | 04 | EP992 | NNZ0129-001X | ----- | EARTH TERMINAL | (Deletion) | 1 | 01,02,03 |
| | 04 | EP992 | ----- | NNZ0129-001X | EARTH TERMINAL | (Addition) | 1 | 01 |
| | 04 | EP993 | NNZ0129-001X | ----- | EARTH TERMINAL | (Deletion) | 1 | 01,02,03 |
| | 04 | EP993 | ----- | NNZ0129-001X | EARTH TERMINAL | (Addition) | 1 | 01 |
| | 04 | EP994 | NNZ0129-001X | ----- | EARTH TERMINAL | (Deletion) | 1 | 01,02,03 |
| | 04 | EP994 | ----- | NNZ0129-001X | EARTH TERMINAL | (Addition) | 1 | 01 |
| | 04 | EP995 | NNZ0129-001X | ----- | EARTH TERMINAL | (Deletion) | 1 | 01,02,03 |
| | 04 | EP995 | ----- | NNZ0129-001X | EARTH TERMINAL | (Addition) | 1 | 01 |
| △ | 04 | F9001 | NMFZ018-R75X-E | ----- | FUSE | (Deletion) | 1 | 01,02,03 |
| △ | 04 | F9001 | ----- | NMFZ018-R75X-E | FUSE | (Addition) | 1 | 01 |
| △ | 04 | F9801 | NMFZ018-R75X-E | ----- | FUSE | (Deletion) | 1 | 01,02,03 |
| △ | 04 | F9801 | ----- | NMFZ018-R75X-E | FUSE | (Addition) | 1 | 01 |
| | 04 | J8501 | QNZ1007-001 | ----- | USB JACK | (Deletion) | 1 | 01,02,03 |
| | 04 | J8501 | ----- | QNZ1007-001 | USB JACK | (Addition) | 1 | 01 |
| | 04 | J8601 | QNS0288-002 | ----- | AUX JACK | (Deletion) | 1 | 01,02,03 |
| | 04 | J8601 | ----- | QNS0288-002 | AUX JACK | (Addition) | 1 | 01 |
| | 04 | K8501 | NRSA63J-0R0X | ----- | MG RESISTOR | (Deletion) | 1 | 01,02,03 |
| | 04 | K8501 | ----- | NRSA63J-0R0X | MG RESISTOR | (Addition) | 1 | 01 |
| | 04 | K8502 | NRSA63J-0R0X | ----- | MG RESISTOR | (Deletion) | 1 | 01,02,03 |
| | 04 | K8502 | ----- | NRSA63J-0R0X | MG RESISTOR | (Addition) | 1 | 01 |
| | 04 | K8503 | NRSA63J-0R0X | ----- | MG RESISTOR | (Deletion) | 1 | 01,02,03 |
| | 04 | K8503 | ----- | NRSA63J-0R0X | MG RESISTOR | (Addition) | 1 | 01 |
| | 04 | K8504 | NRSA63J-0R0X | ----- | MG RESISTOR | (Deletion) | 1 | 01,02,03 |
| | 04 | K8504 | ----- | NRSA63J-0R0X | MG RESISTOR | (Addition) | 1 | 01 |
| | 04 | K8505 | NRSA63J-0R0X | ----- | MG RESISTOR | (Deletion) | 1 | 01,02,03 |
| | 04 | K8505 | ----- | NRSA63J-0R0X | MG RESISTOR | (Addition) | 1 | 01 |
| | 04 | K8601 | NRSA63J-0R0X | ----- | MG RESISTOR | (Deletion) | 1 | 01,02,03 |
| | 04 | K8601 | ----- | NRSA63J-0R0X | MG RESISTOR | (Addition) | 1 | 01 |
| | 04 | K8602 | NRSA63J-0R0X | ----- | MG RESISTOR | (Deletion) | 1 | 01,02,03 |
| | 04 | K8602 | ----- | NRSA63J-0R0X | MG RESISTOR | (Addition) | 1 | 01 |
| | 04 | K8603 | NRSA63J-0R0X | ----- | MG RESISTOR | (Deletion) | 1 | 01,02,03 |
| | 04 | K8603 | ----- | NRSA63J-0R0X | MG RESISTOR | (Addition) | 1 | 01 |

| △ | Symbol | or | Part No. | | Part Name | Description | Qty | Models |
|---|----------|----|--------------|--------------|--------------|-------------|-----|----------|
| | | | <Rev.001> | <Rev.002> | | | | |
| | 04 K8604 | | NRSA63J-0R0X | ----- | MG RESISTOR | (Deletion) | 1 | 01,02,03 |
| | 04 K8604 | | ----- | NRSA63J-0R0X | MG RESISTOR | (Addition) | 1 | 01 |
| | 04 TH901 | | NAD0028-103X | ----- | N THERMISTOR | (Deletion) | 1 | 01,02,03 |
| | 04 TH901 | | ----- | NAD0028-103X | N THERMISTOR | (Addition) | 1 | 01 |
| | 04 VA851 | | NAF0020-001X | ----- | VARISTOR | (Deletion) | 1 | 01,02,03 |
| | 04 VA851 | | ----- | NAF0020-001X | VARISTOR | (Addition) | 1 | 01 |
| | 04 VA852 | | NAF0019-001X | ----- | VARISTOR | (Deletion) | 1 | 01,02,03 |
| | 04 VA852 | | ----- | NAF0019-001X | VARISTOR | (Addition) | 1 | 01 |
| | 04 VA853 | | NAF0019-001X | ----- | VARISTOR | (Deletion) | 1 | 01,02,03 |
| | 04 VA853 | | ----- | NAF0019-001X | VARISTOR | (Addition) | 1 | 01 |
| | 04 X9001 | | NAX0872-001X | ----- | CRYSTAL | (Deletion) | 1 | 01,02,03 |
| | 04 X9001 | | ----- | NAX0872-001X | CRYSTAL | (Addition) | 1 | 01 |

FMU-XD3-21D Front end board [05]

| △ | Symbol | or | Part No. | | Part Name | Description | Qty | Models |
|---|----------|----|-----------|-----------------|-----------|-------------|-----|--------|
| | | | <Rev.001> | <Rev.002> | | | | |
| | 05 IC398 | | JVM4401 | EN29LV320AT70TP | IC | | 1 | 01,02 |

Main board common [06]

| △ | Symbol | or | Part No. | | Part Name | Description | Qty | Models |
|---|----------|----|-----------|-----------------|-----------------|-------------|-----|--------|
| | | | <Rev.001> | <Rev.002> | | | | |
| | 06 IC201 | | ----- | JVM4224 | IC(MCU) | (Addition) | 1 | 01,02 |
| | 06 IC202 | | ----- | S-80828CNNB-G-W | IC | (Addition) | 1 | 01,02 |
| | 06 IC203 | | ----- | M24C32-RMN6-X | IC(EEPROM) | (Addition) | 1 | 01,02 |
| | 06 IC204 | | ----- | NJM2871BF33-X | IC | (Addition) | 1 | 01,02 |
| | 06 IC205 | | ----- | TC74LVX4053FT-X | IC(DIGITAL) | (Addition) | 1 | 02 |
| | 06 IC211 | | ----- | TEF6606T/V3-X | IC1 | (Addition) | 1 | 01,02 |
| | 06 IC212 | | ----- | LC72725KM-X | IC | (Addition) | 1 | 02 |
| | 06 IC221 | | ----- | TEF6606T/V3-X | IC1 | (Addition) | 1 | 02 |
| | 06 IC222 | | ----- | LC72725KM-X | IC | (Addition) | 1 | 02 |
| | 06 IC231 | | ----- | TC74HCT4053AFTX | IC | (Addition) | 1 | 01 |
| | 06 IC232 | | ----- | TDA7416 | IC | (Addition) | 1 | 01,02 |
| | 06 IC233 | | ----- | TB2926CHQ | IC | (Addition) | 1 | 01,02 |
| | 06 IC241 | | ----- | BA00CCOWFP-X | IC | (Addition) | 1 | 01,02 |
| | 06 IC242 | | ----- | NJM2871BF33-X | IC | (Addition) | 1 | 01,02 |
| | 06 IC251 | | ----- | RSQ030P03-W | MOS FET | (Addition) | 1 | 01,02 |
| | 06 IC261 | | ----- | NJM2871BF05-X | IC | (Addition) | 1 | 02 |
| | 06 IC291 | | ----- | R2S25400DS-E | IC | (Addition) | 1 | 01,02 |
| | 06 IC484 | | ----- | NAL0066-001X | GYRO SENSOR | (Addition) | 1 | 02 |
| | 06 Q2001 | | ----- | RT1N441C-X | TRANSISTOR | (Addition) | 1 | 01,02 |
| | 06 Q2001 | or | ----- | UN2213-X | DIGI TRANSISTOR | (Addition) | 1 | 01,02 |
| | 06 Q2201 | | ----- | 3SK195-W | TRANSISTOR | (Addition) | 1 | 02 |
| | 06 Q2301 | | ----- | RT1N141C-X | DIGI TRANSISTOR | (Addition) | 1 | 01,02 |
| | 06 Q2302 | | ----- | 2SC1623A/5-6/-X | TRANSISTOR | (Addition) | 1 | 01,02 |
| | 06 Q2303 | | ----- | 2SD2114K/VW/-X | TRANSISTOR | (Addition) | 1 | 01,02 |
| | 06 Q2304 | | ----- | 2SD2114K/VW/-X | TRANSISTOR | (Addition) | 1 | 01,02 |
| | 06 Q2305 | | ----- | 2SD2114K/VW/-X | TRANSISTOR | (Addition) | 1 | 01,02 |
| | 06 Q2306 | | ----- | 2SD2114K/VW/-X | TRANSISTOR | (Addition) | 1 | 01,02 |
| | 06 Q2307 | | ----- | 2SD2114K/VW/-X | TRANSISTOR | (Addition) | 1 | 01,02 |
| | 06 Q2308 | | ----- | RT1N441C-X | TRANSISTOR | (Addition) | 1 | 01,02 |
| | 06 Q2501 | | ----- | RT1N441C-X | TRANSISTOR | (Addition) | 1 | 01,02 |
| | 06 Q2501 | or | ----- | UN2213-X | DIGI TRANSISTOR | (Addition) | 1 | 01,02 |
| | 06 Q2502 | | ----- | RT1N141C-X | DIGI TRANSISTOR | (Addition) | 1 | 01,02 |
| | 06 Q2503 | | ----- | RT1P141C-X | DIGI TRANSISTOR | (Addition) | 1 | 01,02 |
| | 06 Q2504 | | ----- | RT1N141C-X | DIGI TRANSISTOR | (Addition) | 1 | 01,02 |
| | 06 Q2505 | | ----- | RT1N441C-X | TRANSISTOR | (Addition) | 1 | 01,02 |
| | 06 Q2505 | or | ----- | UN2213-X | DIGI TRANSISTOR | (Addition) | 1 | 01,02 |
| | 06 Q2506 | | ----- | RT1N441C-X | TRANSISTOR | (Addition) | 1 | 01,02 |
| | 06 Q2506 | or | ----- | UN2213-X | DIGI TRANSISTOR | (Addition) | 1 | 01,02 |
| | 06 Q2507 | | ----- | 2SA812A/5-6/-X | TRANSISTOR | (Addition) | 1 | 01,02 |
| | 06 Q2508 | | ----- | 2SA812A/5-6/-X | TRANSISTOR | (Addition) | 1 | 01,02 |
| | 06 Q2509 | | ----- | 2SA812A/5-6/-X | TRANSISTOR | (Addition) | 1 | 01,02 |
| | 06 Q2510 | | ----- | 2SC1623A/5-6/-X | TRANSISTOR | (Addition) | 1 | 01,02 |
| | 06 Q2511 | | ----- | RT1N141C-X | DIGI TRANSISTOR | (Addition) | 1 | 01,02 |
| | 06 Q2512 | | ----- | RT1N141C-X | DIGI TRANSISTOR | (Addition) | 1 | 01,02 |
| | 06 Q2513 | | ----- | RT1N141C-X | DIGI TRANSISTOR | (Addition) | 1 | 01,02 |
| | 06 Q2514 | | ----- | RT1N141C-X | DIGI TRANSISTOR | (Addition) | 1 | 01,02 |

| △ | Symbol | or | Part No. | | Part Name | Description | Qty | Models |
|----|--------|----|-----------|----------------|-----------------|-------------|-----|--------|
| | | | <Rev.001> | <Rev.002> | | | | |
| 06 | Q2515 | | ----- | 2SA812A/5-6/-X | TRANSISTOR | (Addition) | 1 | 01,02 |
| 06 | Q2516 | | ----- | RT1N141C-X | DIGI TRANSISTOR | (Addition) | 1 | 01,02 |
| 06 | Q2901 | | ----- | RT1N141C-X | DIGI TRANSISTOR | (Addition) | 1 | 01,02 |
| 06 | Q2902 | | ----- | RT1P141C-X | DIGI TRANSISTOR | (Addition) | 1 | 01,02 |
| 06 | Q2903 | | ----- | RT1N141C-X | DIGI TRANSISTOR | (Addition) | 1 | 01 |
| 06 | Q2904 | | ----- | RT1P141C-X | DIGI TRANSISTOR | (Addition) | 1 | 01 |
| 06 | Q2905 | | ----- | 2SA812A/5-6/-X | TRANSISTOR | (Addition) | 1 | 01,02 |
| 06 | D2103 | | ----- | MA111-X | SI DIODE | (Addition) | 1 | 01,02 |
| 06 | D2201 | | ----- | MA111-X | SI DIODE | (Addition) | 1 | 01,02 |
| 06 | D2202 | | ----- | MA111-X | SI DIODE | (Addition) | 1 | 01,02 |
| 06 | D2301 | | ----- | MC2836-X | DIODE | (Addition) | 1 | 01,02 |
| 06 | D2302 | | ----- | MC2836-X | DIODE | (Addition) | 1 | 01,02 |
| 06 | D2401 | | ----- | MA8062/M/-X | Z DIODE | (Addition) | 1 | 01,02 |
| 06 | D2402 | | ----- | MA8062/M/-X | Z DIODE | (Addition) | 1 | 01,02 |
| 06 | D2501 | | ----- | MA22D39-X | SB DIODE | (Addition) | 1 | 01,02 |
| 06 | D2503 | | ----- | MA8110/L/-X | Z DIODE | (Addition) | 1 | 01,02 |
| 06 | D2504 | | ----- | MA111-X | SI DIODE | (Addition) | 1 | 01,02 |
| 06 | D2505 | | ----- | MC2836-X | DIODE | (Addition) | 1 | 01,02 |
| 06 | D2506 | | ----- | MA111-X | SI DIODE | (Addition) | 1 | 01,02 |
| 06 | D2507 | | ----- | MA111-X | SI DIODE | (Addition) | 1 | 01,02 |
| 06 | D2801 | | ----- | MA111-X | SI DIODE | (Addition) | 1 | 01,02 |
| 06 | D2802 | | ----- | MA22D39-X | SB DIODE | (Addition) | 1 | 01,02 |
| 06 | D2901 | | ----- | 1N5401-04 | SI DIODE | (Addition) | 1 | 01,02 |
| 06 | D2902 | | ----- | MA22D39-X | SB DIODE | (Addition) | 1 | 01 |
| 06 | D2903 | | ----- | MA22D39-X | SB DIODE | (Addition) | 1 | 01 |
| 06 | D2904 | | ----- | MA22D39-X | SB DIODE | (Addition) | 1 | 01,02 |
| 06 | D2905 | | ----- | MA22D39-X | SB DIODE | (Addition) | 1 | 01,02 |
| 06 | C2001 | | ----- | NCB31CK-104X | C CAPACITOR | (Addition) | 1 | 01,02 |
| 06 | C2002 | | ----- | NCB31HK-103X | C CAPACITOR | (Addition) | 1 | 01,02 |
| 06 | C2003 | | ----- | NCB31CK-104X | C CAPACITOR | (Addition) | 1 | 01,02 |
| 06 | C2101 | | ----- | NDC31HJ-150X | C CAPACITOR | (Addition) | 1 | 01,02 |
| 06 | C2102 | | ----- | NDC31HJ-220X | C CAPACITOR | (Addition) | 1 | 01,02 |
| 06 | C2103 | | ----- | NCB31HK-104X | C CAPACITOR | (Addition) | 1 | 02 |
| 06 | C2103 | | ----- | NCB31HK-102X | C CAPACITOR | (Addition) | 1 | 01 |
| 06 | C2104 | | ----- | NDC31HJ-7R0X | C CAPACITOR | (Addition) | 1 | 01,02 |
| 06 | C2105 | | ----- | NDC31HJ-6R0X | C CAPACITOR | (Addition) | 1 | 01,02 |
| 06 | C2106 | | ----- | NDC31HJ-2R0X | C CAPACITOR | (Addition) | 1 | 01,02 |
| 06 | C2107 | | ----- | NCB31HK-104X | C CAPACITOR | (Addition) | 1 | 01,02 |
| 06 | C2108 | | ----- | NCB31CK-224X | C CAPACITOR | (Addition) | 1 | 01,02 |
| 06 | C2109 | | ----- | NCB31CK-105X | C CAPACITOR | (Addition) | 1 | 01,02 |
| 06 | C2110 | | ----- | NCB31HK-103X | C CAPACITOR | (Addition) | 1 | 01,02 |
| 06 | C2111 | | ----- | NCB31HK-103X | C CAPACITOR | (Addition) | 1 | 01,02 |
| 06 | C2112 | | ----- | NCB31HK-104X | C CAPACITOR | (Addition) | 1 | 01,02 |
| 06 | C2113 | | ----- | NCB31HK-103X | C CAPACITOR | (Addition) | 1 | 01,02 |
| 06 | C2114 | | ----- | NCB31HK-103X | C CAPACITOR | (Addition) | 1 | 01,02 |
| 06 | C2115 | | ----- | NCB31HK-104X | C CAPACITOR | (Addition) | 1 | 01,02 |
| 06 | C2116 | | ----- | NCB31CK-105X | C CAPACITOR | (Addition) | 1 | 01,02 |
| 06 | C2117 | | ----- | NCB31HK-104X | C CAPACITOR | (Addition) | 1 | 01,02 |
| 06 | C2118 | | ----- | QETN1HM-106Z | E CAPACITOR | (Addition) | 1 | 01,02 |
| 06 | C2119 | | ----- | NCB31CK-224X | C CAPACITOR | (Addition) | 1 | 01,02 |
| 06 | C2120 | | ----- | NCB31CK-105X | C CAPACITOR | (Addition) | 1 | 01,02 |
| 06 | C2121 | | ----- | NCB31CK-105X | C CAPACITOR | (Addition) | 1 | 01,02 |
| 06 | C2122 | | ----- | NCB31CK-224X | C CAPACITOR | (Addition) | 1 | 01,02 |
| 06 | C2123 | | ----- | NCB31HK-104X | C CAPACITOR | (Addition) | 1 | 01,02 |
| 06 | C2124 | | ----- | NDC31HJ-150X | C CAPACITOR | (Addition) | 1 | 01,02 |
| 06 | C2125 | | ----- | NCB31CK-224X | C CAPACITOR | (Addition) | 1 | 02 |
| 06 | C2126 | | ----- | NDC31HJ-561X | C CAPACITOR | (Addition) | 1 | 02 |
| 06 | C2127 | | ----- | NCB31HK-103X | C CAPACITOR | (Addition) | 1 | 02 |
| 06 | C2128 | | ----- | NCJ11EK-106X-A | C CAPACITOR | (Addition) | 1 | 02 |
| 06 | C2129 | | ----- | NCB31HK-103X | C CAPACITOR | (Addition) | 1 | 02 |
| 06 | C2130 | | ----- | QETN1HM-226Z | E CAPACITOR | (Addition) | 1 | 02 |
| 06 | C2131 | | ----- | NDC31HJ-330X | C CAPACITOR | (Addition) | 1 | 02 |
| 06 | C2132 | | ----- | NDC31HJ-330X | C CAPACITOR | (Addition) | 1 | 02 |
| 06 | C2133 | | ----- | NCB31HK-102X | C CAPACITOR | (Addition) | 1 | 02 |
| 06 | C2136 | | ----- | NDC31HJ-101X | C CAPACITOR | (Addition) | 1 | 01,02 |
| 06 | C2137 | | ----- | NDC31HJ-101X | C CAPACITOR | (Addition) | 1 | 01,02 |
| 06 | C2138 | | ----- | NDC31HJ-101X | C CAPACITOR | (Addition) | 1 | 01,02 |
| 06 | C2201 | | ----- | NDC31HJ-330X | C CAPACITOR | (Addition) | 1 | 01,02 |

| △ | Symbol | or | Part No. | | Part Name | Description | Qty | Models |
|----|--------|----|-----------|----------------|--------------|-------------|-----|--------|
| | | | <Rev.001> | <Rev.002> | | | | |
| 06 | C2202 | | ----- | NDC31HJ-330X | C CAPACITOR | (Addition) | 1 | 01,02 |
| 06 | C2203 | | ----- | NCB31HK-103X | C CAPACITOR | (Addition) | 1 | 02 |
| 06 | C2204 | | ----- | NDC31HJ-120X | C CAPACITOR | (Addition) | 1 | 02 |
| 06 | C2205 | | ----- | NDC31HJ-220X | C CAPACITOR | (Addition) | 1 | 02 |
| 06 | C2206 | | ----- | NCB31HK-103X | C CAPACITOR | (Addition) | 1 | 02 |
| 06 | C2207 | | ----- | NCB31HK-104X | C CAPACITOR | (Addition) | 1 | 02 |
| 06 | C2208 | | ----- | NCB31HK-103X | C CAPACITOR | (Addition) | 1 | 02 |
| 06 | C2209 | | ----- | NCB31HK-103X | C CAPACITOR | (Addition) | 1 | 02 |
| 06 | C2210 | | ----- | NCB31HK-104X | C CAPACITOR | (Addition) | 1 | 02 |
| 06 | C2211 | | ----- | NCB31CK-105X | C CAPACITOR | (Addition) | 1 | 02 |
| 06 | C2212 | | ----- | NCB31HK-104X | C CAPACITOR | (Addition) | 1 | 02 |
| 06 | C2213 | | ----- | QETN1HM-106Z | E CAPACITOR | (Addition) | 1 | 02 |
| 06 | C2214 | | ----- | NCB31CK-224X | C CAPACITOR | (Addition) | 1 | 02 |
| 06 | C2215 | | ----- | NCB31HK-104X | C CAPACITOR | (Addition) | 1 | 02 |
| 06 | C2216 | | ----- | NDC31HJ-150X | C CAPACITOR | (Addition) | 1 | 02 |
| 06 | C2217 | | ----- | NCB31CK-224X | C CAPACITOR | (Addition) | 1 | 02 |
| 06 | C2218 | | ----- | NDC31HJ-561X | C CAPACITOR | (Addition) | 1 | 02 |
| 06 | C2219 | | ----- | NCB31HK-103X | C CAPACITOR | (Addition) | 1 | 02 |
| 06 | C2220 | | ----- | NCJ11EK-106X-A | C CAPACITOR | (Addition) | 1 | 02 |
| 06 | C2221 | | ----- | NCB31HK-103X | C CAPACITOR | (Addition) | 1 | 02 |
| 06 | C2225 | | ----- | NCB31HK-102X | C CAPACITOR | (Addition) | 1 | 02 |
| 06 | C2229 | | ----- | NDC31HJ-101X | C CAPACITOR | (Addition) | 1 | 01,02 |
| 06 | C2301 | | ----- | NDC31HJ-101X | C CAPACITOR | (Addition) | 1 | 01,02 |
| 06 | C2302 | | ----- | QETN1HM-226Z | E CAPACITOR | (Addition) | 1 | 01,02 |
| 06 | C2303 | | ----- | NCB31CK-105X | C CAPACITOR | (Addition) | 1 | 01 |
| 06 | C2304 | | ----- | NCB31CK-105X | C CAPACITOR | (Addition) | 1 | 01 |
| 06 | C2305 | | ----- | QETN1CM-107Z | E CAPACITOR | (Addition) | 1 | 01,02 |
| 06 | C2309 | | ----- | QETN1HM-226Z | E CAPACITOR | (Addition) | 1 | 01,02 |
| 06 | C2310 | | ----- | QFV91HJ-474Z | MF CAPACITOR | (Addition) | 1 | 01,02 |
| 06 | C2311 | | ----- | QFV91HJ-474Z | MF CAPACITOR | (Addition) | 1 | 01,02 |
| 06 | C2312 | | ----- | NCB31CK-105X | C CAPACITOR | (Addition) | 1 | 01,02 |
| 06 | C2313 | | ----- | NCB31CK-105X | C CAPACITOR | (Addition) | 1 | 01,02 |
| 06 | C2314 | | ----- | NCB31CK-105X | C CAPACITOR | (Addition) | 1 | 01,02 |
| 06 | C2315 | | ----- | NCB31CK-105X | C CAPACITOR | (Addition) | 1 | 01,02 |
| 06 | C2316 | | ----- | NCB31CK-105X | C CAPACITOR | (Addition) | 1 | 01,02 |
| 06 | C2317 | | ----- | QETN1CM-107Z | E CAPACITOR | (Addition) | 1 | 01,02 |
| 06 | C2320 | | ----- | QFN31HJ-473Z | M CAPACITOR | (Addition) | 1 | 01,02 |
| 06 | C2321 | | ----- | NCB31HK-563X | C CAPACITOR | (Addition) | 1 | 01,02 |
| 06 | C2322 | | ----- | NCB31HK-104X | C CAPACITOR | (Addition) | 1 | 01,02 |
| 06 | C2323 | | ----- | QFV91HJ-474Z | MF CAPACITOR | (Addition) | 1 | 01,02 |
| 06 | C2324 | | ----- | QFV91HJ-474Z | MF CAPACITOR | (Addition) | 1 | 01,02 |
| 06 | C2325 | | ----- | QFV91HJ-474Z | MF CAPACITOR | (Addition) | 1 | 01,02 |
| 06 | C2326 | | ----- | QFV91HJ-474Z | MF CAPACITOR | (Addition) | 1 | 01,02 |
| 06 | C2327 | | ----- | NDC31HJ-470X | C CAPACITOR | (Addition) | 1 | 01,02 |
| 06 | C2328 | | ----- | NDC31HJ-470X | C CAPACITOR | (Addition) | 1 | 01,02 |
| 06 | C2329 | | ----- | NDC31HJ-470X | C CAPACITOR | (Addition) | 1 | 01,02 |
| 06 | C2330 | | ----- | NDC31HJ-470X | C CAPACITOR | (Addition) | 1 | 01,02 |
| 06 | C2331 | | ----- | QETN1HM-226Z | E CAPACITOR | (Addition) | 1 | 01,02 |
| 06 | C2332 | | ----- | NDC31HJ-471X | C CAPACITOR | (Addition) | 1 | 01,02 |
| 06 | C2333 | | ----- | QETN1EM-476Z | E CAPACITOR | (Addition) | 1 | 01,02 |
| 06 | C2334 | | ----- | QEKJ1HM-225Z | E CAPACITOR | (Addition) | 1 | 01,02 |
| 06 | C2335 | | ----- | QETN1HM-106Z | E CAPACITOR | (Addition) | 1 | 01,02 |
| 06 | C2336 | | ----- | QFN31HJ-104Z | M CAPACITOR | (Addition) | 1 | 01,02 |
| 06 | C2337 | | ----- | NCB31HK-104X | C CAPACITOR | (Addition) | 1 | 01,02 |
| 06 | C2338 | | ----- | NDC31HJ-101X | C CAPACITOR | (Addition) | 1 | 01,02 |
| 06 | C2339 | | ----- | QEKJ1HM-225Z | E CAPACITOR | (Addition) | 1 | 01,02 |
| 06 | C2340 | | ----- | NDC31HJ-101X | C CAPACITOR | (Addition) | 1 | 01,02 |
| 06 | C2341 | | ----- | NDC31HJ-101X | C CAPACITOR | (Addition) | 1 | 01,02 |
| 06 | C2342 | | ----- | NDC31HJ-101X | C CAPACITOR | (Addition) | 1 | 01,02 |
| 06 | C2343 | | ----- | NDC31HJ-101X | C CAPACITOR | (Addition) | 1 | 01,02 |
| 06 | C2344 | | ----- | NDC31HJ-101X | C CAPACITOR | (Addition) | 1 | 01,02 |
| 06 | C2345 | | ----- | NDC31HJ-101X | C CAPACITOR | (Addition) | 1 | 01,02 |
| 06 | C2346 | | ----- | NDC31HJ-101X | C CAPACITOR | (Addition) | 1 | 01,02 |
| 06 | C2347 | | ----- | NDC31HJ-101X | C CAPACITOR | (Addition) | 1 | 01,02 |
| 06 | C2348 | | ----- | QETN1HM-106Z | E CAPACITOR | (Addition) | 1 | 01,02 |
| 06 | C2349 | | ----- | QEKJ1HM-475Z | E CAPACITOR | (Addition) | 1 | 01,02 |
| 06 | C2350 | | ----- | QEKJ1HM-475Z | E CAPACITOR | (Addition) | 1 | 01,02 |
| 06 | C2351 | | ----- | QEKJ1HM-475Z | E CAPACITOR | (Addition) | 1 | 01,02 |

| △ | Symbol | or | Part No. | | Part Name | Description | Qty | Models |
|----|--------|----|-----------|--------------|-------------|-------------|-----|--------|
| | | | <Rev.001> | <Rev.002> | | | | |
| 06 | C2352 | | ----- | QEKJ1HM-475Z | E CAPACITOR | (Addition) | 1 | 01,02 |
| 06 | C2353 | | ----- | NDC31HJ-101X | C CAPACITOR | (Addition) | 1 | 01,02 |
| 06 | C2354 | | ----- | NDC31HJ-101X | C CAPACITOR | (Addition) | 1 | 01,02 |
| 06 | C2355 | | ----- | NDC31HJ-101X | C CAPACITOR | (Addition) | 1 | 01,02 |
| 06 | C2356 | | ----- | NDC31HJ-101X | C CAPACITOR | (Addition) | 1 | 01,02 |
| 06 | C2357 | | ----- | NCB31HK-223X | C CAPACITOR | (Addition) | 1 | 01,02 |
| 06 | C2360 | | ----- | NDC31HJ-470X | C CAPACITOR | (Addition) | 1 | 01,02 |
| 06 | C2362 | | ----- | NDC31HJ-101X | C CAPACITOR | (Addition) | 1 | 01,02 |
| 06 | C2363 | | ----- | NDC31HJ-101X | C CAPACITOR | (Addition) | 1 | 01,02 |
| 06 | C2364 | | ----- | NDC31HJ-101X | C CAPACITOR | (Addition) | 1 | 01,02 |
| 06 | C2365 | | ----- | NDC31HJ-470X | C CAPACITOR | (Addition) | 1 | 01,02 |
| 06 | C2366 | | ----- | NDC31HJ-470X | C CAPACITOR | (Addition) | 1 | 01,02 |
| 06 | C2367 | | ----- | NDC31HJ-470X | C CAPACITOR | (Addition) | 1 | 01,02 |
| 06 | C2368 | | ----- | NDC31HJ-470X | C CAPACITOR | (Addition) | 1 | 01,02 |
| 06 | C2369 | | ----- | NDC31HJ-470X | C CAPACITOR | (Addition) | 1 | 01,02 |
| 06 | C2370 | | ----- | NDC31HJ-470X | C CAPACITOR | (Addition) | 1 | 01,02 |
| 06 | C2371 | | ----- | NDC31HJ-470X | C CAPACITOR | (Addition) | 1 | 01,02 |
| 06 | C2372 | | ----- | NDC31HJ-470X | C CAPACITOR | (Addition) | 1 | 01,02 |
| 06 | C2373 | | ----- | NDC31HJ-470X | C CAPACITOR | (Addition) | 1 | 01,02 |
| 06 | C2374 | | ----- | NDC31HJ-470X | C CAPACITOR | (Addition) | 1 | 01,02 |
| 06 | C2375 | | ----- | NDC31HJ-470X | C CAPACITOR | (Addition) | 1 | 01,02 |
| 06 | C2376 | | ----- | NDC31HJ-470X | C CAPACITOR | (Addition) | 1 | 01,02 |
| 06 | C2377 | | ----- | NDC31HJ-101X | C CAPACITOR | (Addition) | 1 | 01,02 |
| 06 | C2378 | | ----- | NDC31HJ-101X | C CAPACITOR | (Addition) | 1 | 01,02 |
| 06 | C2379 | | ----- | NDC31HJ-101X | C CAPACITOR | (Addition) | 1 | 01,02 |
| 06 | C2380 | | ----- | NDC31HJ-101X | C CAPACITOR | (Addition) | 1 | 01,02 |
| 06 | C2381 | | ----- | NDC31HJ-101X | C CAPACITOR | (Addition) | 1 | 01,02 |
| 06 | C2382 | | ----- | NDC31HJ-101X | C CAPACITOR | (Addition) | 1 | 01,02 |
| 06 | C2383 | | ----- | NDC31HJ-101X | C CAPACITOR | (Addition) | 1 | 01,02 |
| 06 | C2384 | | ----- | NDC31HJ-101X | C CAPACITOR | (Addition) | 1 | 01,02 |
| 06 | C2385 | | ----- | NDC31HJ-101X | C CAPACITOR | (Addition) | 1 | 01,02 |
| 06 | C2386 | | ----- | NDC31HJ-101X | C CAPACITOR | (Addition) | 1 | 01,02 |
| 06 | C2387 | | ----- | NDC31HJ-470X | C CAPACITOR | (Addition) | 1 | 01,02 |
| 06 | C2388 | | ----- | NDC31HJ-470X | C CAPACITOR | (Addition) | 1 | 01,02 |
| 06 | C2389 | | ----- | NDC31HJ-470X | C CAPACITOR | (Addition) | 1 | 01,02 |
| 06 | C2390 | | ----- | NDC31HJ-470X | C CAPACITOR | (Addition) | 1 | 01,02 |
| 06 | C2401 | | ----- | NDC31HJ-471X | C CAPACITOR | (Addition) | 1 | 01,02 |
| 06 | C2402 | | ----- | QETN1EM-476Z | E CAPACITOR | (Addition) | 1 | 01,02 |
| 06 | C2403 | | ----- | NDC31HJ-471X | C CAPACITOR | (Addition) | 1 | 01,02 |
| 06 | C2404 | | ----- | QETN1EM-476Z | E CAPACITOR | (Addition) | 1 | 01,02 |
| 06 | C2405 | | ----- | QETN1HM-106Z | E CAPACITOR | (Addition) | 1 | 01,02 |
| 06 | C2406 | | ----- | NCB31HK-104X | C CAPACITOR | (Addition) | 1 | 01,02 |
| 06 | C2407 | | ----- | NCB31CK-104X | C CAPACITOR | (Addition) | 1 | 01,02 |
| 06 | C2408 | | ----- | NCB31HK-103X | C CAPACITOR | (Addition) | 1 | 01,02 |
| 06 | C2409 | | ----- | NCB31CK-104X | C CAPACITOR | (Addition) | 1 | 01,02 |
| 06 | C2503 | | ----- | NCB11EK-105X | C CAPACITOR | (Addition) | 1 | 01,02 |
| 06 | C2504 | | ----- | NCB31AK-105X | C CAPACITOR | (Addition) | 1 | 01,02 |
| 06 | C2505 | | ----- | QETN1CM-107Z | E CAPACITOR | (Addition) | 1 | 01,02 |
| 06 | C2506 | | ----- | QETN1CM-107Z | E CAPACITOR | (Addition) | 1 | 01,02 |
| 06 | C2507 | | ----- | QETN1HM-226Z | E CAPACITOR | (Addition) | 1 | 01,02 |
| 06 | C2508 | | ----- | NCB31CK-105X | C CAPACITOR | (Addition) | 1 | 01,02 |
| 06 | C2509 | | ----- | NDC31HJ-101X | C CAPACITOR | (Addition) | 1 | 01,02 |
| 06 | C2510 | | ----- | NCB31CK-105X | C CAPACITOR | (Addition) | 1 | 01,02 |
| 06 | C2511 | | ----- | NCB31CK-105X | C CAPACITOR | (Addition) | 1 | 01,02 |
| 06 | C2512 | | ----- | NCB31CK-105X | C CAPACITOR | (Addition) | 1 | 01,02 |
| 06 | C2601 | | ----- | QETN1HM-106Z | E CAPACITOR | (Addition) | 1 | 02 |
| 06 | C2602 | | ----- | QETN1CM-107Z | E CAPACITOR | (Addition) | 1 | 02 |
| 06 | C2603 | | ----- | NCB31CK-105X | C CAPACITOR | (Addition) | 1 | 02 |
| 06 | C2604 | | ----- | NCB31HK-103X | C CAPACITOR | (Addition) | 1 | 02 |
| 06 | C2801 | | ----- | NCB31EK-473X | C CAPACITOR | (Addition) | 1 | 01,02 |
| 06 | C2802 | | ----- | QETN1EM-476Z | E CAPACITOR | (Addition) | 1 | 01,02 |
| 06 | C2803 | | ----- | NDC31HJ-220X | C CAPACITOR | (Addition) | 1 | 01,02 |
| 06 | C2804 | | ----- | NDC31HJ-220X | C CAPACITOR | (Addition) | 1 | 01,02 |
| 06 | C2805 | | ----- | NDC31HJ-120X | C CAPACITOR | (Addition) | 1 | 01,02 |
| 06 | C2806 | | ----- | NDC31HJ-100X | C CAPACITOR | (Addition) | 1 | 01,02 |
| 06 | C2807 | | ----- | NCB31CK-104X | C CAPACITOR | (Addition) | 1 | 01,02 |
| 06 | C2808 | | ----- | QETN1AM-227Z | E CAPACITOR | (Addition) | 1 | 01,02 |
| 06 | C2809 | | ----- | QETN1CM-107Z | E CAPACITOR | (Addition) | 1 | 01,02 |

| △ | Symbol | or | Part No. | | Part Name | Description | Qty | Models |
|----|--------|----|-----------|--------------|-------------|-------------|-----|--------|
| | | | <Rev.001> | <Rev.002> | | | | |
| 06 | C2810 | | ----- | QETN0JM-108Z | E CAPACITOR | (Addition) | 1 | 01,02 |
| 06 | C2811 | | ----- | QETN1AM-227Z | E CAPACITOR | (Addition) | 1 | 01,02 |
| 06 | C2812 | | ----- | NCB31CK-104X | C CAPACITOR | (Addition) | 1 | 01,02 |
| 06 | C2813 | | ----- | NCB31HK-103X | C CAPACITOR | (Addition) | 1 | 01,02 |
| 06 | C2814 | | ----- | NCB31CK-104X | C CAPACITOR | (Addition) | 1 | 02 |
| 06 | C2815 | | ----- | NCB31EK-473X | C CAPACITOR | (Addition) | 1 | 01,02 |
| 06 | C2816 | | ----- | NCB31CK-104X | C CAPACITOR | (Addition) | 1 | 01,02 |
| 06 | C2817 | | ----- | NDC31HJ-222X | C CAPACITOR | (Addition) | 1 | 02 |
| 06 | C2818 | | ----- | NCB31CK-104X | C CAPACITOR | (Addition) | 1 | 01,02 |
| 06 | C2819 | | ----- | NCB31CK-104X | C CAPACITOR | (Addition) | 1 | 01,02 |
| 06 | C2901 | | ----- | QEZ0870-278 | E CAPACITOR | (Addition) | 1 | 01,02 |
| 06 | C2902 | | ----- | QEKJ1HM-225Z | E CAPACITOR | (Addition) | 1 | 01,02 |
| 06 | C2903 | | ----- | QETN1EM-476Z | E CAPACITOR | (Addition) | 1 | 01,02 |
| 06 | C2904 | | ----- | QETN1HM-106Z | E CAPACITOR | (Addition) | 1 | 01,02 |
| 06 | C2905 | | ----- | QETN1EM-476Z | E CAPACITOR | (Addition) | 1 | 01,02 |
| 06 | C2906 | | ----- | QETN1CM-107Z | E CAPACITOR | (Addition) | 1 | 01,02 |
| 06 | C2907 | | ----- | NCB31CK-104X | C CAPACITOR | (Addition) | 1 | 01,02 |
| 06 | C2908 | | ----- | NCB31CK-104X | C CAPACITOR | (Addition) | 1 | 01,02 |
| 06 | C2909 | | ----- | QETN1HM-106Z | E CAPACITOR | (Addition) | 1 | 01,02 |
| 06 | C2910 | | ----- | NCB31EK-104X | C CAPACITOR | (Addition) | 1 | 01 |
| 06 | C2911 | | ----- | QETN1HM-106Z | E CAPACITOR | (Addition) | 1 | 01,02 |
| 06 | C2912 | | ----- | NCB31EK-104X | C CAPACITOR | (Addition) | 1 | 01 |
| 06 | C2913 | | ----- | NCB31EK-104X | C CAPACITOR | (Addition) | 1 | 01,02 |
| 06 | C2914 | | ----- | QETN1CM-108Z | E CAPACITOR | (Addition) | 1 | 01,02 |
| 06 | C2921 | | ----- | NDC31HJ-470X | C CAPACITOR | (Addition) | 1 | 01,02 |
| 06 | C2923 | | ----- | NDC31HJ-470X | C CAPACITOR | (Addition) | 1 | 01,02 |
| 06 | C2925 | | ----- | NDC31HJ-470X | C CAPACITOR | (Addition) | 1 | 01,02 |
| 06 | C2928 | | ----- | QEKJ1HM-225Z | E CAPACITOR | (Addition) | 1 | 01,02 |
| 06 | C2931 | | ----- | NDC31HJ-470X | C CAPACITOR | (Addition) | 1 | 01,02 |
| 06 | C2933 | | ----- | NDC31HJ-470X | C CAPACITOR | (Addition) | 1 | 01,02 |
| 06 | C2934 | | ----- | NDC31HJ-470X | C CAPACITOR | (Addition) | 1 | 01,02 |
| 06 | C2937 | | ----- | NDC31HJ-470X | C CAPACITOR | (Addition) | 1 | 01,02 |
| 06 | C2938 | | ----- | NDC31HJ-470X | C CAPACITOR | (Addition) | 1 | 01,02 |
| 06 | C2941 | | ----- | NDC31HJ-470X | C CAPACITOR | (Addition) | 1 | 01,02 |
| 06 | C2943 | | ----- | NDC31HJ-470X | C CAPACITOR | (Addition) | 1 | 01,02 |
| 06 | C2945 | | ----- | NDC31HJ-470X | C CAPACITOR | (Addition) | 1 | 01,02 |
| 06 | C2947 | | ----- | NDC31HJ-470X | C CAPACITOR | (Addition) | 1 | 01,02 |
| 06 | C2949 | | ----- | NDC31HJ-470X | C CAPACITOR | (Addition) | 1 | 01,02 |
| 06 | C4841 | | ----- | NCB31CK-104X | C CAPACITOR | (Addition) | 1 | 02 |
| 06 | C4842 | | ----- | NDC31HJ-101X | C CAPACITOR | (Addition) | 1 | 02 |
| 06 | R2001 | | ----- | NRSA63J-101X | MG RESISTOR | (Addition) | 1 | 01,02 |
| 06 | R2002 | | ----- | NRSA63J-102X | MG RESISTOR | (Addition) | 1 | 01,02 |
| 06 | R2003 | | ----- | NRSA63J-102X | MG RESISTOR | (Addition) | 1 | 01,02 |
| 06 | R2004 | | ----- | NRSA63J-101X | MG RESISTOR | (Addition) | 1 | 01,02 |
| 06 | R2005 | | ----- | NRSA63J-102X | MG RESISTOR | (Addition) | 1 | 01,02 |
| 06 | R2006 | | ----- | NRSA63J-101X | MG RESISTOR | (Addition) | 1 | 01,02 |
| 06 | R2007 | | ----- | NRSA63J-472X | MG RESISTOR | (Addition) | 1 | 01,02 |
| 06 | R2008 | | ----- | NRSA63J-101X | MG RESISTOR | (Addition) | 1 | 01,02 |
| 06 | R2009 | | ----- | NRSA63J-101X | MG RESISTOR | (Addition) | 1 | 01,02 |
| 06 | R2010 | | ----- | NRSA63J-472X | MG RESISTOR | (Addition) | 1 | 01,02 |
| 06 | R2011 | | ----- | NRSA63J-472X | MG RESISTOR | (Addition) | 1 | 01,02 |
| 06 | R2012 | | ----- | NRSA63J-102X | MG RESISTOR | (Addition) | 1 | 01,02 |
| 06 | R2013 | | ----- | NRSA63J-102X | MG RESISTOR | (Addition) | 1 | 01,02 |
| 06 | R2014 | | ----- | NRSA63J-102X | MG RESISTOR | (Addition) | 1 | 01,02 |
| 06 | R2015 | | ----- | NRSA63J-102X | MG RESISTOR | (Addition) | 1 | 01,02 |
| 06 | R2016 | | ----- | NRSA63J-101X | MG RESISTOR | (Addition) | 1 | 01,02 |
| 06 | R2017 | | ----- | NRSA63J-101X | MG RESISTOR | (Addition) | 1 | 01,02 |
| 06 | R2018 | | ----- | NRSA63J-102X | MG RESISTOR | (Addition) | 1 | 01,02 |
| 06 | R2019 | | ----- | NRSA63J-102X | MG RESISTOR | (Addition) | 1 | 01,02 |
| 06 | R2020 | | ----- | NRSA63J-102X | MG RESISTOR | (Addition) | 1 | 01,02 |
| 06 | R2021 | | ----- | NRSA63J-102X | MG RESISTOR | (Addition) | 1 | 01,02 |
| 06 | R2022 | | ----- | NRSA63J-101X | MG RESISTOR | (Addition) | 1 | 01,02 |
| 06 | R2023 | | ----- | NRSA63J-101X | MG RESISTOR | (Addition) | 1 | 01,02 |
| 06 | R2024 | | ----- | NRSA63J-101X | MG RESISTOR | (Addition) | 1 | 01,02 |
| 06 | R2025 | | ----- | NRSA63J-101X | MG RESISTOR | (Addition) | 1 | 01,02 |
| 06 | R2026 | | ----- | NRSA63J-101X | MG RESISTOR | (Addition) | 1 | 01,02 |
| 06 | R2027 | | ----- | NRSA63J-101X | MG RESISTOR | (Addition) | 1 | 01,02 |
| 06 | R2028 | | ----- | NRSA63J-101X | MG RESISTOR | (Addition) | 1 | 01,02 |

| △ | Symbol | or | Part No. | | Part Name | Description | Qty | Models |
|----|--------|----|-----------|--------------|-------------|-------------|-----|--------|
| | | | <Rev.001> | <Rev.002> | | | | |
| 06 | R2029 | | ----- | NRSA63J-102X | MG RESISTOR | (Addition) | 1 | 01,02 |
| 06 | R2030 | | ----- | NRSA63J-102X | MG RESISTOR | (Addition) | 1 | 01,02 |
| 06 | R2031 | | ----- | NRSA63J-272X | MG RESISTOR | (Addition) | 1 | 01,02 |
| 06 | R2032 | | ----- | NRSA63J-102X | MG RESISTOR | (Addition) | 1 | 01,02 |
| 06 | R2033 | | ----- | NRSA63J-101X | MG RESISTOR | (Addition) | 1 | 01,02 |
| 06 | R2034 | | ----- | NRSA63J-102X | MG RESISTOR | (Addition) | 1 | 01,02 |
| 06 | R2035 | | ----- | NRSA63J-102X | MG RESISTOR | (Addition) | 1 | 01,02 |
| 06 | R2036 | | ----- | NRSA63J-102X | MG RESISTOR | (Addition) | 1 | 01,02 |
| 06 | R2037 | | ----- | NRSA63J-101X | MG RESISTOR | (Addition) | 1 | 01,02 |
| 06 | R2038 | | ----- | NRSA63J-101X | MG RESISTOR | (Addition) | 1 | 01,02 |
| 06 | R2039 | | ----- | NRSA63J-101X | MG RESISTOR | (Addition) | 1 | 01,02 |
| 06 | R2040 | | ----- | NRSA63J-101X | MG RESISTOR | (Addition) | 1 | 01,02 |
| 06 | R2041 | | ----- | NRSA63J-101X | MG RESISTOR | (Addition) | 1 | 01,02 |
| 06 | R2042 | | ----- | NRSA63J-102X | MG RESISTOR | (Addition) | 1 | 02 |
| 06 | R2043 | | ----- | NRSA63J-102X | MG RESISTOR | (Addition) | 1 | 01,02 |
| 06 | R2044 | | ----- | NRSA63J-102X | MG RESISTOR | (Addition) | 1 | 01,02 |
| 06 | R2045 | | ----- | NRSA63J-102X | MG RESISTOR | (Addition) | 1 | 01,02 |
| 06 | R2046 | | ----- | NRSA63J-221X | MG RESISTOR | (Addition) | 1 | 01,02 |
| 06 | R2047 | | ----- | NRSA63J-103X | MG RESISTOR | (Addition) | 1 | 01,02 |
| 06 | R2048 | | ----- | NRSA63J-102X | MG RESISTOR | (Addition) | 1 | 01,02 |
| 06 | R2049 | | ----- | NRSA63J-102X | MG RESISTOR | (Addition) | 1 | 01,02 |
| 06 | R2050 | | ----- | NRSA63J-102X | MG RESISTOR | (Addition) | 1 | 01,02 |
| 06 | R2051 | | ----- | NRSA63J-102X | MG RESISTOR | (Addition) | 1 | 01,02 |
| 06 | R2052 | | ----- | NRSA63J-102X | MG RESISTOR | (Addition) | 1 | 01,02 |
| 06 | R2053 | | ----- | NRSA63J-472X | MG RESISTOR | (Addition) | 1 | 01,02 |
| 06 | R2055 | | ----- | NRSA63J-472X | MG RESISTOR | (Addition) | 1 | 01 |
| 06 | R2056 | | ----- | NRSA63J-472X | MG RESISTOR | (Addition) | 1 | 02 |
| 06 | R2057 | | ----- | NRSA63J-102X | MG RESISTOR | (Addition) | 1 | 01,02 |
| 06 | R2058 | | ----- | NRSA63J-102X | MG RESISTOR | (Addition) | 1 | 01,02 |
| 06 | R2059 | | ----- | NRSA63J-102X | MG RESISTOR | (Addition) | 1 | 01,02 |
| 06 | R2060 | | ----- | NRSA63J-102X | MG RESISTOR | (Addition) | 1 | 01,02 |
| 06 | R2061 | | ----- | NRSA63J-102X | MG RESISTOR | (Addition) | 1 | 01,02 |
| 06 | R2062 | | ----- | NRSA63J-101X | MG RESISTOR | (Addition) | 1 | 01,02 |
| 06 | R2063 | | ----- | NRSA63J-101X | MG RESISTOR | (Addition) | 1 | 01,02 |
| 06 | R2064 | | ----- | NRSA63J-102X | MG RESISTOR | (Addition) | 1 | 01,02 |
| 06 | R2065 | | ----- | NRSA63J-101X | MG RESISTOR | (Addition) | 1 | 01,02 |
| 06 | R2066 | | ----- | NRSA63J-101X | MG RESISTOR | (Addition) | 1 | 01,02 |
| 06 | R2067 | | ----- | NRSA63J-101X | MG RESISTOR | (Addition) | 1 | 01,02 |
| 06 | R2068 | | ----- | NRSA63J-101X | MG RESISTOR | (Addition) | 1 | 01,02 |
| 06 | R2069 | | ----- | NRSA63J-102X | MG RESISTOR | (Addition) | 1 | 01,02 |
| 06 | R2070 | | ----- | NRSA63J-102X | MG RESISTOR | (Addition) | 1 | 01,02 |
| 06 | R2071 | | ----- | NRSA63J-101X | MG RESISTOR | (Addition) | 1 | 01,02 |
| 06 | R2072 | | ----- | NRSA63J-101X | MG RESISTOR | (Addition) | 1 | 01,02 |
| 06 | R2073 | | ----- | NRSA63J-473X | MG RESISTOR | (Addition) | 1 | 01,02 |
| 06 | R2074 | | ----- | NRSA63J-102X | MG RESISTOR | (Addition) | 1 | 01,02 |
| 06 | R2075 | | ----- | NRSA63J-102X | MG RESISTOR | (Addition) | 1 | 01,02 |
| 06 | R2076 | | ----- | NRSA63J-102X | MG RESISTOR | (Addition) | 1 | 01,02 |
| 06 | R2077 | | ----- | NRSA63J-472X | MG RESISTOR | (Addition) | 1 | 01,02 |
| 06 | R2078 | | ----- | NRSA63J-472X | MG RESISTOR | (Addition) | 1 | 01,02 |
| 06 | R2079 | | ----- | NRSA63J-101X | MG RESISTOR | (Addition) | 1 | 01,02 |
| 06 | R2080 | | ----- | NRSA63J-101X | MG RESISTOR | (Addition) | 1 | 01,02 |
| 06 | R2081 | | ----- | NRSA63J-102X | MG RESISTOR | (Addition) | 1 | 01,02 |
| 06 | R2082 | | ----- | NRSA63J-102X | MG RESISTOR | (Addition) | 1 | 01,02 |
| 06 | R2083 | | ----- | NRSA63J-102X | MG RESISTOR | (Addition) | 1 | 01,02 |
| 06 | R2084 | | ----- | NRSA63J-101X | MG RESISTOR | (Addition) | 1 | 01,02 |
| 06 | R2085 | | ----- | NRSA63J-102X | MG RESISTOR | (Addition) | 1 | 01,02 |
| 06 | R2086 | | ----- | NRSA63J-0R0X | MG RESISTOR | (Addition) | 1 | 01,02 |
| 06 | R2087 | | ----- | NRSA63J-101X | MG RESISTOR | (Addition) | 1 | 01,02 |
| 06 | R2088 | | ----- | NRSA63J-102X | MG RESISTOR | (Addition) | 1 | 01,02 |
| 06 | R2089 | | ----- | NRSA63J-102X | MG RESISTOR | (Addition) | 1 | 01,02 |
| 06 | R2101 | | ----- | NRSA63J-684X | MG RESISTOR | (Addition) | 1 | 02 |
| 06 | R2101 | | ----- | NRSA63J-474X | MG RESISTOR | (Addition) | 1 | 01 |
| 06 | R2102 | | ----- | NRSA63J-684X | MG RESISTOR | (Addition) | 1 | 02 |
| 06 | R2102 | | ----- | NRSA63J-474X | MG RESISTOR | (Addition) | 1 | 01 |
| 06 | R2103 | | ----- | NRSA63J-472X | MG RESISTOR | (Addition) | 1 | 01,02 |
| 06 | R2104 | | ----- | NRS181J-220X | MG RESISTOR | (Addition) | 1 | 01,02 |
| 06 | R2105 | | ----- | NRSA63J-101X | MG RESISTOR | (Addition) | 1 | 01,02 |
| 06 | R2106 | | ----- | NRSA63J-101X | MG RESISTOR | (Addition) | 1 | 01,02 |

| △ | Symbol | or | Part No. | | Part Name | Description | Qty | Models |
|----|--------|----|-----------|--------------|-------------|-------------|-----|--------|
| | | | <Rev.001> | <Rev.002> | | | | |
| 06 | R2107 | | ----- | NRSA63J-103X | MG RESISTOR | (Addition) | 1 | 01,02 |
| 06 | R2108 | | ----- | NRSA63J-103X | MG RESISTOR | (Addition) | 1 | 01,02 |
| 06 | R2109 | | ----- | NRSA63J-102X | MG RESISTOR | (Addition) | 1 | 02 |
| 06 | R2110 | | ----- | NRSA63J-102X | MG RESISTOR | (Addition) | 1 | 02 |
| 06 | R2112 | | ----- | NRSA63J-102X | MG RESISTOR | (Addition) | 1 | 02 |
| 06 | R2113 | | ----- | NRSA63J-0R0X | MG RESISTOR | (Addition) | 1 | 01,02 |
| 06 | R2114 | | ----- | NRSA63J-0R0X | MG RESISTOR | (Addition) | 1 | 01,02 |
| 06 | R2201 | | ----- | NRSA63J-104X | MG RESISTOR | (Addition) | 1 | 01,02 |
| 06 | R2202 | | ----- | NRSA63J-394X | MG RESISTOR | (Addition) | 1 | 01,02 |
| 06 | R2203 | | ----- | NRSA63J-104X | MG RESISTOR | (Addition) | 1 | 02 |
| 06 | R2204 | | ----- | NRSA63J-823X | MG RESISTOR | (Addition) | 1 | 02 |
| 06 | R2205 | | ----- | NRSA63J-0R0X | MG RESISTOR | (Addition) | 1 | 02 |
| 06 | R2206 | | ----- | NRSA63J-0R0X | MG RESISTOR | (Addition) | 1 | 02 |
| 06 | R2207 | | ----- | NRSA63J-472X | MG RESISTOR | (Addition) | 1 | 02 |
| 06 | R2208 | | ----- | NRSA63J-101X | MG RESISTOR | (Addition) | 1 | 02 |
| 06 | R2209 | | ----- | NRS181J-220X | MG RESISTOR | (Addition) | 1 | 02 |
| 06 | R2210 | | ----- | NRSA63J-101X | MG RESISTOR | (Addition) | 1 | 02 |
| 06 | R2211 | | ----- | NRSA63J-103X | MG RESISTOR | (Addition) | 1 | 02 |
| 06 | R2212 | | ----- | NRSA63J-103X | MG RESISTOR | (Addition) | 1 | 02 |
| 06 | R2213 | | ----- | NRSA63J-102X | MG RESISTOR | (Addition) | 1 | 02 |
| 06 | R2214 | | ----- | NRSA63J-102X | MG RESISTOR | (Addition) | 1 | 02 |
| 06 | R2215 | | ----- | NRSA63J-102X | MG RESISTOR | (Addition) | 1 | 02 |
| 06 | R2301 | | ----- | NRSA63J-0R0X | MG RESISTOR | (Addition) | 1 | 02 |
| 06 | R2302 | | ----- | NRSA63J-0R0X | MG RESISTOR | (Addition) | 1 | 02 |
| 06 | R2303 | | ----- | NRSA63J-104X | MG RESISTOR | (Addition) | 1 | 01 |
| 06 | R2304 | | ----- | NRSA63J-104X | MG RESISTOR | (Addition) | 1 | 01 |
| 06 | R2305 | | ----- | NRSA63J-473X | MG RESISTOR | (Addition) | 1 | 01,02 |
| 06 | R2306 | | ----- | NRSA63J-473X | MG RESISTOR | (Addition) | 1 | 01,02 |
| 06 | R2309 | | ----- | NRSA63J-471X | MG RESISTOR | (Addition) | 1 | 01,02 |
| 06 | R2310 | | ----- | NRSA63J-473X | MG RESISTOR | (Addition) | 1 | 01,02 |
| 06 | R2311 | | ----- | NRSA63J-473X | MG RESISTOR | (Addition) | 1 | 01,02 |
| 06 | R2312 | | ----- | NRSA63J-222X | MG RESISTOR | (Addition) | 1 | 01,02 |
| 06 | R2313 | | ----- | NRSA63J-101X | MG RESISTOR | (Addition) | 1 | 01,02 |
| 06 | R2314 | | ----- | NRSA63J-101X | MG RESISTOR | (Addition) | 1 | 01,02 |
| 06 | R2316 | | ----- | NRSA63J-222X | MG RESISTOR | (Addition) | 1 | 01,02 |
| 06 | R2317 | | ----- | NRSA63J-473X | MG RESISTOR | (Addition) | 1 | 01,02 |
| 06 | R2318 | | ----- | NRSA63J-473X | MG RESISTOR | (Addition) | 1 | 01,02 |
| 06 | R2319 | | ----- | NRSA63J-102X | MG RESISTOR | (Addition) | 1 | 01,02 |
| 06 | R2320 | | ----- | NRSA63J-154X | MG RESISTOR | (Addition) | 1 | 01,02 |
| 06 | R2321 | | ----- | NRSA63J-822X | MG RESISTOR | (Addition) | 1 | 01,02 |
| 06 | R2323 | | ----- | NRSA63J-102X | MG RESISTOR | (Addition) | 1 | 01,02 |
| 06 | R2324 | | ----- | NRSA63J-473X | MG RESISTOR | (Addition) | 1 | 01,02 |
| 06 | R2325 | | ----- | NRSA63J-102X | MG RESISTOR | (Addition) | 1 | 01,02 |
| 06 | R2326 | | ----- | NRSA63J-221X | MG RESISTOR | (Addition) | 1 | 01,02 |
| 06 | R2327 | | ----- | NRSA63J-221X | MG RESISTOR | (Addition) | 1 | 01,02 |
| 06 | R2328 | | ----- | NRSA63J-473X | MG RESISTOR | (Addition) | 1 | 01,02 |
| 06 | R2329 | | ----- | NRSA63J-473X | MG RESISTOR | (Addition) | 1 | 01,02 |
| 06 | R2330 | | ----- | NRSA63J-473X | MG RESISTOR | (Addition) | 1 | 01,02 |
| 06 | R2331 | | ----- | NRSA63J-473X | MG RESISTOR | (Addition) | 1 | 01,02 |
| 06 | R2332 | | ----- | NRSA63J-102X | MG RESISTOR | (Addition) | 1 | 01,02 |
| 06 | R2333 | | ----- | NRSA63J-102X | MG RESISTOR | (Addition) | 1 | 01,02 |
| 06 | R2334 | | ----- | NRSA63J-102X | MG RESISTOR | (Addition) | 1 | 01,02 |
| 06 | R2335 | | ----- | NRSA63J-102X | MG RESISTOR | (Addition) | 1 | 01,02 |
| 06 | R2336 | | ----- | NRSA63J-102X | MG RESISTOR | (Addition) | 1 | 01,02 |
| 06 | R2337 | | ----- | NRSA63J-102X | MG RESISTOR | (Addition) | 1 | 01,02 |
| 06 | R2338 | | ----- | NRSA63J-102X | MG RESISTOR | (Addition) | 1 | 01,02 |
| 06 | R2339 | | ----- | NRSA63J-221X | MG RESISTOR | (Addition) | 1 | 01,02 |
| 06 | R2340 | | ----- | NRSA63J-102X | MG RESISTOR | (Addition) | 1 | 01,02 |
| 06 | R2341 | | ----- | NRSA63J-221X | MG RESISTOR | (Addition) | 1 | 01,02 |
| 06 | R2342 | | ----- | NRSA63J-221X | MG RESISTOR | (Addition) | 1 | 01,02 |
| 06 | R2343 | | ----- | NRSA63J-221X | MG RESISTOR | (Addition) | 1 | 01,02 |
| 06 | R2344 | | ----- | NRSA63J-221X | MG RESISTOR | (Addition) | 1 | 01,02 |
| 06 | R2345 | | ----- | NRSA63J-221X | MG RESISTOR | (Addition) | 1 | 01,02 |
| 06 | R2346 | | ----- | NRSA63J-221X | MG RESISTOR | (Addition) | 1 | 01,02 |
| 06 | R2347 | | ----- | NRSA63J-221X | MG RESISTOR | (Addition) | 1 | 01,02 |
| 06 | R2348 | | ----- | NRSA63J-273X | MG RESISTOR | (Addition) | 1 | 01,02 |
| 06 | R2349 | | ----- | NRSA63J-100X | MG RESISTOR | (Addition) | 1 | 01,02 |
| 06 | R2401 | | ----- | NRSA63J-104X | MG RESISTOR | (Addition) | 1 | 01,02 |

| △ | Symbol | or | Part No. | | Part Name | Description | Qty | Models |
|----|--------|----|-----------|--------------|-------------|-------------|-----|--------|
| | | | <Rev.001> | <Rev.002> | | | | |
| 06 | R2802 | | ----- | NRSA63J-222X | MG RESISTOR | (Addition) | 1 | 01,02 |
| 06 | R2803 | | ----- | NRSA63J-473X | MG RESISTOR | (Addition) | 1 | 01,02 |
| 06 | R2804 | | ----- | NRSA63J-473X | MG RESISTOR | (Addition) | 1 | 01,02 |
| 06 | R2805 | | ----- | NRSA63J-106X | MG RESISTOR | (Addition) | 1 | 01,02 |
| 06 | R2806 | | ----- | NRSA63J-0R0X | MG RESISTOR | (Addition) | 1 | 01,02 |
| 06 | R2807 | | ----- | NRSA63J-0R0X | MG RESISTOR | (Addition) | 1 | 01,02 |
| 06 | R2808 | | ----- | NRSA63J-106X | MG RESISTOR | (Addition) | 1 | 01,02 |
| 06 | R2809 | | ----- | NRSA63J-472X | MG RESISTOR | (Addition) | 1 | 01,02 |
| 06 | R2810 | | ----- | NRSA63J-472X | MG RESISTOR | (Addition) | 1 | 01,02 |
| 06 | R2811 | | ----- | NRSA63J-472X | MG RESISTOR | (Addition) | 1 | 01,02 |
| 06 | R2812 | | ----- | NRSA63J-472X | MG RESISTOR | (Addition) | 1 | 01,02 |
| 06 | R2813 | | ----- | NRSA63J-472X | MG RESISTOR | (Addition) | 1 | 01,02 |
| 06 | R2814 | | ----- | NRSA63J-472X | MG RESISTOR | (Addition) | 1 | 01,02 |
| 06 | R2815 | | ----- | NRSA63J-0R0X | MG RESISTOR | (Addition) | 1 | 01 |
| 06 | R2816 | | ----- | NRSA63J-0R0X | MG RESISTOR | (Addition) | 1 | 01 |
| 06 | R2817 | | ----- | NRSA63J-472X | MG RESISTOR | (Addition) | 1 | 01,02 |
| 06 | R2818 | | ----- | NRSA63J-472X | MG RESISTOR | (Addition) | 1 | 01,02 |
| 06 | R2819 | | ----- | NRSA63J-103X | MG RESISTOR | (Addition) | 1 | 01 |
| 06 | R2820 | | ----- | NRSA63J-103X | MG RESISTOR | (Addition) | 1 | 01 |
| 06 | R2821 | | ----- | NRSA63J-103X | MG RESISTOR | (Addition) | 1 | 01,02 |
| 06 | R2822 | | ----- | NRSA63J-104X | MG RESISTOR | (Addition) | 1 | 01,02 |
| 06 | R2823 | | ----- | NRSA63J-273X | MG RESISTOR | (Addition) | 1 | 01,02 |
| 06 | R2824 | | ----- | NRSA63J-473X | MG RESISTOR | (Addition) | 1 | 01,02 |
| 06 | R2825 | | ----- | NRSA63J-103X | MG RESISTOR | (Addition) | 1 | 01 |
| 06 | R2826 | | ----- | NRSA63J-103X | MG RESISTOR | (Addition) | 1 | 01 |
| 06 | R2827 | | ----- | NRSA63J-103X | MG RESISTOR | (Addition) | 1 | 01,02 |
| 06 | R2828 | | ----- | NRSA63J-101X | MG RESISTOR | (Addition) | 1 | 01,02 |
| 06 | R2829 | | ----- | NRSA63J-101X | MG RESISTOR | (Addition) | 1 | 01,02 |
| 06 | R2830 | | ----- | NRSA63J-473X | MG RESISTOR | (Addition) | 1 | 01,02 |
| 06 | R2831 | | ----- | NRSA63J-472X | MG RESISTOR | (Addition) | 1 | 01,02 |
| 06 | R2832 | | ----- | NRSA63J-472X | MG RESISTOR | (Addition) | 1 | 01,02 |
| 06 | R2833 | | ----- | NRSA63J-472X | MG RESISTOR | (Addition) | 1 | 01,02 |
| 06 | R2834 | | ----- | NRSA63J-472X | MG RESISTOR | (Addition) | 1 | 01,02 |
| 06 | R2835 | | ----- | NRSA63J-822X | MG RESISTOR | (Addition) | 1 | 01,02 |
| 06 | R2836 | | ----- | NRSA63D-472X | MG RESISTOR | (Addition) | 1 | 01,02 |
| 06 | R2837 | | ----- | NRSA63D-472X | MG RESISTOR | (Addition) | 1 | 01,02 |
| 06 | R2838 | | ----- | NRSA63D-472X | MG RESISTOR | (Addition) | 1 | 02 |
| 06 | R2839 | | ----- | NRSA63D-243X | MG RESISTOR | (Addition) | 1 | 01,02 |
| 06 | R2840 | | ----- | NRSA63D-104X | MG RESISTOR | (Addition) | 1 | 01,02 |
| 06 | R2843 | | ----- | NRSA63J-472X | MG RESISTOR | (Addition) | 1 | 01,02 |
| 06 | R2844 | | ----- | NRSA63J-153X | MG RESISTOR | (Addition) | 1 | 02 |
| 06 | R2844 | | ----- | NRSA63J-333X | MG RESISTOR | (Addition) | 1 | 01 |
| 06 | R2901 | | ----- | NRSA63J-103X | MG RESISTOR | (Addition) | 1 | 01,02 |
| 06 | R2902 | | ----- | NRSA63J-472X | MG RESISTOR | (Addition) | 1 | 01,02 |
| 06 | R2903 | | ----- | NRSA63J-203X | MG RESISTOR | (Addition) | 1 | 01,02 |
| 06 | R2904 | | ----- | NRSA63J-473X | MG RESISTOR | (Addition) | 1 | 01,02 |
| 06 | R2905 | | ----- | NRSA63J-153X | MG RESISTOR | (Addition) | 1 | 01,02 |
| 06 | R2906 | | ----- | NRSA63J-473X | MG RESISTOR | (Addition) | 1 | 01,02 |
| 06 | R2907 | | ----- | NRS181J-472X | MG RESISTOR | (Addition) | 1 | 01 |
| 06 | R2909 | | ----- | NRS181J-332X | MG RESISTOR | (Addition) | 1 | 01,02 |
| 06 | L2101 | | ----- | NQL093K-R22X | COIL | (Addition) | 1 | 01,02 |
| 06 | L2102 | | ----- | NQL093K-4R7X | COIL | (Addition) | 1 | 01,02 |
| 06 | L2103 | | ----- | NQL093K-R47X | COIL | (Addition) | 1 | 01,02 |
| 06 | L2104 | | ----- | NQL093K-1R8X | COIL | (Addition) | 1 | 01,02 |
| 06 | L2105 | | ----- | NQL093K-R47X | COIL | (Addition) | 1 | 01,02 |
| 06 | L2106 | | ----- | NQL114K-561X | P COIL | (Addition) | 1 | 01,02 |
| 06 | L2107 | | ----- | NQL114K-561X | P COIL | (Addition) | 1 | 01,02 |
| 06 | L2201 | | ----- | NQL093K-2R7X | COIL | (Addition) | 1 | 02 |
| 06 | L2202 | | ----- | NQL093K-R22X | COIL | (Addition) | 1 | 02 |
| 06 | L2501 | | ----- | NQL79GM-4R7X | COIL | (Addition) | 1 | 01,02 |
| 06 | L2801 | | ----- | NQL79GK-470X | COIL | (Addition) | 1 | 01,02 |
| 06 | L2901 | | ----- | QQR0703-001 | CHOKE COIL | (Addition) | 1 | 01,02 |
| 06 | L2902 | | ----- | NQL79GK-101X | COIL | (Addition) | 1 | 01,02 |
| 06 | T2101 | | ----- | QQR1813-001 | COIL | (Addition) | 1 | 01,02 |
| 06 | T2201 | | ----- | QQR1813-001 | COIL | (Addition) | 1 | 02 |
| 06 | BK233 | | ----- | LV43967-001A | IC BRACKET | (Addition) | 1 | 01 |
| 06 | BK241 | | ----- | LV38635-001A | GPS BKT | (Addition) | 1 | 01 |
| 06 | BK291 | | ----- | LV37825-004A | REG. IC BKT | (Addition) | 1 | 01 |

| △ | Symbol | or | Part No. | | Part Name | Description | Qty | Models |
|---|--------|-------|-----------|----------------|----------------|-------------|-----|--------|
| | | | <Rev.001> | <Rev.002> | | | | |
| | 06 | BZ251 | ----- | QAN0023-001Z | BUZZER | (Addition) | 1 | 01,02 |
| | 06 | CN231 | ----- | QGA2501C1-02 | CONNECTOR | (Addition) | 1 | 01,02 |
| | 06 | CN241 | ----- | QNZ0984-002 | CAR CONNECTOR | (Addition) | 1 | 01,02 |
| | 06 | CN251 | ----- | QGB1004K2-30W | CONNECTOR | (Addition) | 1 | 01,02 |
| | 06 | CN252 | ----- | QGB0815K1-60X | CONNECTOR | (Addition) | 1 | 01,02 |
| | 06 | CN261 | ----- | QGA1217C2-03X | CONNECTOR | (Addition) | 1 | 02 |
| | 06 | CN291 | ----- | QNZ0090-001 | CAR CONNECTOR | (Addition) | 1 | 01,02 |
| | 06 | CN481 | ----- | QGA1217C2-03X | CONNECTOR | (Addition) | 1 | 02 |
| | 06 | EP201 | ----- | NNZ0165-001X | EARTH TERMINAL | (Addition) | 1 | 01,02 |
| | 06 | EP202 | ----- | NNZ0165-001X | EARTH TERMINAL | (Addition) | 1 | 01,02 |
| | 06 | EP203 | ----- | NNZ0165-001X | EARTH TERMINAL | (Addition) | 1 | 01,02 |
| | 06 | EP204 | ----- | NNZ0165-001X | EARTH TERMINAL | (Addition) | 1 | 01,02 |
| | 06 | EP205 | ----- | NNZ0165-001X | EARTH TERMINAL | (Addition) | 1 | 01,02 |
| | 06 | EP481 | ----- | NNZ0165-001X | EARTH TERMINAL | (Addition) | 1 | 02 |
| | 06 | F2900 | ----- | QMFZ039-150-T | FUSE | (Addition) | 1 | 01 |
| △ | 06 | F2901 | ----- | NMFZ018-5R0X-E | FUSE | (Addition) | 1 | 02 |
| | 06 | F2901 | ----- | NMFZ018-5R0X-E | FUSE | (Addition) | 1 | 01 |
| △ | 06 | F2902 | ----- | NMFZ018-5R0X-E | FUSE | (Addition) | 1 | 02 |
| | 06 | F2902 | ----- | NMFZ018-5R0X-E | FUSE | (Addition) | 1 | 01 |
| | 06 | J2301 | ----- | QNN0775-001 | PIN JACK | (Addition) | 1 | 01,02 |
| | 06 | K2401 | ----- | NQR0201-004X | FERRITE BEADS | (Addition) | 1 | 01,02 |
| | 06 | K2402 | ----- | NQR0201-004X | FERRITE BEADS | (Addition) | 1 | 01,02 |
| | 06 | K2403 | ----- | NQR0389-001X | FERRITE BEADS | (Addition) | 1 | 01,02 |
| | 06 | K2404 | ----- | NQR0389-001X | FERRITE BEADS | (Addition) | 1 | 01,02 |
| | 06 | PP1 | ----- | QZW0010-001 | STYLE PIN | (Addition) | 1 | 01,02 |
| | 06 | PP2 | ----- | QZW0010-001 | STYLE PIN | (Addition) | 1 | 01,02 |
| | 06 | TH201 | ----- | NAD0028-103X | N THERMISTOR | (Addition) | 1 | 01,02 |
| | 06 | TH231 | ----- | NAD0028-103X | N THERMISTOR | (Addition) | 1 | 01,02 |
| | 06 | W2101 | ----- | QAM1233-001 | CAR CABLE | (Addition) | 1 | 01,02 |
| | 06 | X2001 | ----- | QAX0401-001 | CRYSTAL | (Addition) | 1 | 01,02 |
| | 06 | X2002 | ----- | NAX0981-001X | CRYSTAL | (Addition) | 1 | 01,02 |
| | 06 | X2101 | ----- | QAX0928-001Z | CRYSTAL | (Addition) | 1 | 01,02 |
| | 06 | X2102 | ----- | QAX0263-001Z | CRYSTAL | (Addition) | 1 | 02 |
| | 06 | X2201 | ----- | QAX0928-001Z | CRYSTAL | (Addition) | 1 | 02 |

Sub board common [07]

| △ | Symbol | or | Part No. | | Part Name | Description | Qty | Models |
|---|--------|-------|-----------|-----------------|-----------------|-------------|-----|--------|
| | | | <Rev.001> | <Rev.002> | | | | |
| | 07 | IC311 | ----- | JVM4152 | IC(MCU) | (Addition) | 1 | 01,02 |
| | 07 | IC321 | ----- | TC74VHCT126AFTX | IC | (Addition) | 1 | 01 |
| | 07 | IC341 | ----- | NJM2505AF-X | IC | (Addition) | 1 | 01,02 |
| | 07 | IC342 | ----- | NJM2505AF-X | IC | (Addition) | 1 | 01,02 |
| | 07 | IC343 | ----- | NJM2535V-X | IC | (Addition) | 1 | 01,02 |
| | 07 | IC344 | ----- | NJM2535V-X | IC | (Addition) | 1 | 01,02 |
| | 07 | IC345 | ----- | NJM2561F1-X | IC | (Addition) | 1 | 01,02 |
| | 07 | IC351 | ----- | TOTX177L | OPT TRANSMITTER | (Addition) | 1 | 01,02 |
| | 07 | IC371 | ----- | BD9781HFP-W | IC | (Addition) | 1 | 01,02 |
| | 07 | IC372 | ----- | BD9781HFP-W | IC | (Addition) | 1 | 01,02 |
| | 07 | IC374 | ----- | LT1946AEMS8E-X | IC | (Addition) | 1 | 01,02 |
| | 07 | IC381 | ----- | NJM4565E-X | IC | (Addition) | 1 | 01,02 |
| | 07 | IC392 | ----- | NJM2732RB1-X | IC | (Addition) | 1 | 02 |
| | 07 | Q3701 | ----- | 2SA812A/5-6/-X | TRANSISTOR | (Addition) | 1 | 01,02 |
| | 07 | Q3702 | ----- | 2SC1623A/5-6/-X | TRANSISTOR | (Addition) | 1 | 01,02 |
| | 07 | Q3703 | ----- | 2SA812A/5-6/-X | TRANSISTOR | (Addition) | 1 | 01,02 |
| | 07 | Q3901 | ----- | RT1N141C-X | DIGI TRANSISTOR | (Addition) | 1 | 01,02 |
| | 07 | Q3901 | or | UN2211-X | TRANSISTOR | (Addition) | 1 | 01,02 |
| | 07 | D3201 | ----- | MA22D23-X | SB DIODE | (Addition) | 1 | 01 |
| | 07 | D3301 | ----- | MA8062/M/-X | Z DIODE | (Addition) | 1 | 01,02 |
| | 07 | D3302 | ----- | MA8062/M/-X | Z DIODE | (Addition) | 1 | 01,02 |
| | 07 | D3303 | ----- | MA8062/M/-X | Z DIODE | (Addition) | 1 | 01,02 |
| | 07 | D3304 | ----- | MA8062/M/-X | Z DIODE | (Addition) | 1 | 01,02 |
| | 07 | D3305 | ----- | MA8062/M/-X | Z DIODE | (Addition) | 1 | 01,02 |
| | 07 | D3306 | ----- | MA8062/M/-X | Z DIODE | (Addition) | 1 | 01,02 |
| | 07 | D3307 | ----- | MA8062/M/-X | Z DIODE | (Addition) | 1 | 01,02 |
| | 07 | D3308 | ----- | MA8062/M/-X | Z DIODE | (Addition) | 1 | 01,02 |
| | 07 | D3411 | ----- | MA111-X | SI DIODE | (Addition) | 1 | 01,02 |
| | 07 | D3412 | ----- | MA111-X | SI DIODE | (Addition) | 1 | 01,02 |
| | 07 | D3421 | ----- | MA111-X | SI DIODE | (Addition) | 1 | 01,02 |

| △ | Symbol | or | Part No. | | Part Name | Description | Qty | Models |
|----|--------|----|-----------|----------------|-------------|-------------|-----|--------|
| | | | <Rev.001> | <Rev.002> | | | | |
| 07 | D3422 | | ----- | MA111-X | SI DIODE | (Addition) | 1 | 01,02 |
| 07 | D3711 | | ----- | MA24D50-X | DIODE | (Addition) | 1 | 01,02 |
| 07 | D3721 | | ----- | MA24D50-X | DIODE | (Addition) | 1 | 01,02 |
| 07 | D3741 | | ----- | MA8120/M/-X | Z DIODE | (Addition) | 1 | 01,02 |
| 07 | D3742 | | ----- | MA22D39-X | SB DIODE | (Addition) | 1 | 01,02 |
| 07 | D3743 | | ----- | MA8024-X | Z DIODE | (Addition) | 1 | 01,02 |
| 07 | D3744 | | ----- | MA2SD31-X | SB DIODE | (Addition) | 1 | 01,02 |
| 07 | D3745 | | ----- | MA2SD31-X | SB DIODE | (Addition) | 1 | 01,02 |
| 07 | D3746 | | ----- | MA2SD31-X | SB DIODE | (Addition) | 1 | 01,02 |
| 07 | D3747 | | ----- | MA2SD31-X | SB DIODE | (Addition) | 1 | 01,02 |
| 07 | D3748 | | ----- | MA8180/H/-X | Z DIODE | (Addition) | 1 | 01,02 |
| 07 | D3801 | | ----- | MA8110/M/-X | Z DIODE | (Addition) | 1 | 01,02 |
| 07 | D3802 | | ----- | MA8110/M/-X | Z DIODE | (Addition) | 1 | 01,02 |
| 07 | D3922 | | ----- | MA111-X | SI DIODE | (Addition) | 1 | 02 |
| 07 | C3001 | | ----- | NDC31HJ-102X | C CAPACITOR | (Addition) | 1 | 01,02 |
| 07 | C3002 | | ----- | NDC31HJ-102X | C CAPACITOR | (Addition) | 1 | 01,02 |
| 07 | C3003 | | ----- | NDC31HJ-101X | C CAPACITOR | (Addition) | 1 | 01,02 |
| 07 | C3004 | | ----- | NCB31CK-104X | C CAPACITOR | (Addition) | 1 | 01,02 |
| 07 | C3005 | | ----- | NCB31CK-104X | C CAPACITOR | (Addition) | 1 | 01,02 |
| 07 | C3006 | | ----- | NCB31CK-104X | C CAPACITOR | (Addition) | 1 | 01,02 |
| 07 | C3031 | | ----- | NCJ11EK-106X-R | C CAPACITOR | (Addition) | 1 | 01,02 |
| 07 | C3032 | | ----- | NCJ11EK-106X-R | C CAPACITOR | (Addition) | 1 | 01,02 |
| 07 | C3033 | | ----- | QEKJ1CM-107Z | E CAPACITOR | (Addition) | 1 | 01,02 |
| 07 | C3034 | | ----- | NCJ11EK-106X-R | C CAPACITOR | (Addition) | 1 | 01,02 |
| 07 | C3035 | | ----- | QEKJ1CM-107Z | E CAPACITOR | (Addition) | 1 | 01,02 |
| 07 | C3036 | | ----- | NCJ11EK-106X-R | C CAPACITOR | (Addition) | 1 | 01,02 |
| 07 | C3037 | | ----- | QEKJ1CM-107Z | E CAPACITOR | (Addition) | 1 | 01,02 |
| 07 | C3038 | | ----- | NCJ11EK-106X-R | C CAPACITOR | (Addition) | 1 | 01,02 |
| 07 | C3039 | | ----- | NCJ11EK-106X-R | C CAPACITOR | (Addition) | 1 | 01,02 |
| 07 | C3040 | | ----- | NCJ11EK-106X-R | C CAPACITOR | (Addition) | 1 | 01,02 |
| 07 | C3041 | | ----- | QEKJ1CM-107Z | E CAPACITOR | (Addition) | 1 | 01,02 |
| 07 | C3042 | | ----- | NDC31HJ-471X | C CAPACITOR | (Addition) | 1 | 01,02 |
| 07 | C3043 | | ----- | NCJ11EK-106X-R | C CAPACITOR | (Addition) | 1 | 01,02 |
| 07 | C3045 | | ----- | QERF1EM-107Z | E CAPACITOR | (Addition) | 1 | 01,02 |
| 07 | C3046 | | ----- | NCJ11EK-106X-R | C CAPACITOR | (Addition) | 1 | 01,02 |
| 07 | C3101 | | ----- | QEKJ1CM-476Z | E CAPACITOR | (Addition) | 1 | 01,02 |
| 07 | C3102 | | ----- | NCB31CK-104X | C CAPACITOR | (Addition) | 1 | 01,02 |
| 07 | C3105 | | ----- | NCB31CK-104X | C CAPACITOR | (Addition) | 1 | 01,02 |
| 07 | C3106 | | ----- | NCB31CK-104X | C CAPACITOR | (Addition) | 1 | 01,02 |
| 07 | C3201 | | ----- | NCB31HK-102X | C CAPACITOR | (Addition) | 1 | 01 |
| 07 | C3202 | | ----- | NCB31HK-102X | C CAPACITOR | (Addition) | 1 | 01 |
| 07 | C3203 | | ----- | NDC31HJ-101X | C CAPACITOR | (Addition) | 1 | 01 |
| 07 | C3204 | | ----- | NCB31HK-104X | C CAPACITOR | (Addition) | 1 | 01 |
| 07 | C3205 | | ----- | NCB31HK-104X | C CAPACITOR | (Addition) | 1 | 01 |
| 07 | C3206 | | ----- | NCB31HK-104X | C CAPACITOR | (Addition) | 1 | 01 |
| 07 | C3211 | | ----- | NCB31HK-102X | C CAPACITOR | (Addition) | 1 | 01 |
| 07 | C3212 | | ----- | NCB31HK-102X | C CAPACITOR | (Addition) | 1 | 01 |
| 07 | C3213 | | ----- | QEKJ1CM-476Z | E CAPACITOR | (Addition) | 1 | 01,02 |
| 07 | C3214 | | ----- | NCB31EK-473X | C CAPACITOR | (Addition) | 1 | 01 |
| 07 | C3251 | | ----- | NCB31CK-104X | C CAPACITOR | (Addition) | 1 | 01,02 |
| 07 | C3301 | | ----- | NDC31HJ-470X | C CAPACITOR | (Addition) | 1 | 01,02 |
| 07 | C3303 | | ----- | NDC31HJ-101X | C CAPACITOR | (Addition) | 1 | 01,02 |
| 07 | C3304 | | ----- | NDC31HJ-101X | C CAPACITOR | (Addition) | 1 | 01,02 |
| 07 | C3305 | | ----- | NCB31HK-473X | C CAPACITOR | (Addition) | 1 | 01,02 |
| 07 | C3307 | | ----- | NDC31HJ-470X | C CAPACITOR | (Addition) | 1 | 01,02 |
| 07 | C3308 | | ----- | NDC31HJ-101X | C CAPACITOR | (Addition) | 1 | 01,02 |
| 07 | C3309 | | ----- | NDC31HJ-101X | C CAPACITOR | (Addition) | 1 | 02 |
| 07 | C3310 | | ----- | NDC31HJ-101X | C CAPACITOR | (Addition) | 1 | 01,02 |
| 07 | C3311 | | ----- | NDC31HJ-471X | C CAPACITOR | (Addition) | 1 | 01,02 |
| 07 | C3411 | | ----- | QEKJ1EM-106Z | E CAPACITOR | (Addition) | 1 | 01,02 |
| 07 | C3412 | | ----- | QEKJ1EM-106Z | E CAPACITOR | (Addition) | 1 | 01,02 |
| 07 | C3413 | | ----- | NCB31HK-102X | C CAPACITOR | (Addition) | 1 | 01,02 |
| 07 | C3414 | | ----- | QEKJ1CM-476Z | E CAPACITOR | (Addition) | 1 | 01,02 |
| 07 | C3415 | | ----- | NCB31CK-104X | C CAPACITOR | (Addition) | 1 | 01,02 |
| 07 | C3421 | | ----- | QEKJ1EM-106Z | E CAPACITOR | (Addition) | 1 | 01,02 |
| 07 | C3422 | | ----- | QEKJ1EM-106Z | E CAPACITOR | (Addition) | 1 | 01,02 |
| 07 | C3423 | | ----- | NCB31HK-102X | C CAPACITOR | (Addition) | 1 | 01,02 |
| 07 | C3425 | | ----- | NCB31CK-104X | C CAPACITOR | (Addition) | 1 | 01,02 |

| △ | Symbol | or | Part No. | | Part Name | Description | Qty | Models |
|----|--------|----|-----------|----------------|-------------|-------------|-----|--------|
| | | | <Rev.001> | <Rev.002> | | | | |
| 07 | C3431 | | ----- | NCB31CK-105X | C CAPACITOR | (Addition) | 1 | 01,02 |
| 07 | C3432 | | ----- | NCB31CK-105X | C CAPACITOR | (Addition) | 1 | 01,02 |
| 07 | C3433 | | ----- | NCB31CK-105X | C CAPACITOR | (Addition) | 1 | 01,02 |
| 07 | C3435 | | ----- | NCB31HK-104X | C CAPACITOR | (Addition) | 1 | 01,02 |
| 07 | C3441 | | ----- | NCB31CK-105X | C CAPACITOR | (Addition) | 1 | 01,02 |
| 07 | C3442 | | ----- | NCB31CK-105X | C CAPACITOR | (Addition) | 1 | 01,02 |
| 07 | C3443 | | ----- | NCB31CK-105X | C CAPACITOR | (Addition) | 1 | 01,02 |
| 07 | C3444 | | ----- | QEKJ1CM-476Z | E CAPACITOR | (Addition) | 1 | 01,02 |
| 07 | C3445 | | ----- | NCB31HK-104X | C CAPACITOR | (Addition) | 1 | 01,02 |
| 07 | C3451 | | ----- | QEKJ0JM-337Z | E CAPACITOR | (Addition) | 1 | 01,02 |
| 07 | C3453 | | ----- | NCB31CK-105X | C CAPACITOR | (Addition) | 1 | 01,02 |
| 07 | C3454 | | ----- | NCB31HK-104X | C CAPACITOR | (Addition) | 1 | 01,02 |
| 07 | C3501 | | ----- | QEKJ1CM-476Z | E CAPACITOR | (Addition) | 1 | 01,02 |
| 07 | C3504 | | ----- | NCB31CK-104X | C CAPACITOR | (Addition) | 1 | 01,02 |
| 07 | C3505 | | ----- | QEKJ1CM-107Z | E CAPACITOR | (Addition) | 1 | 01,02 |
| 07 | C3507 | | ----- | NCB31CK-104X | C CAPACITOR | (Addition) | 1 | 01,02 |
| 07 | C3551 | | ----- | QEKJ1EM-106Z | E CAPACITOR | (Addition) | 1 | 01,02 |
| 07 | C3552 | | ----- | NCB31HK-103X | C CAPACITOR | (Addition) | 1 | 01,02 |
| 07 | C3553 | | ----- | NDC31HJ-101X | C CAPACITOR | (Addition) | 1 | 01,02 |
| 07 | C3701 | | ----- | QETN1EM-477Z | E CAPACITOR | (Addition) | 1 | 01,02 |
| 07 | C3702 | | ----- | QERF1EM-107Z | E CAPACITOR | (Addition) | 1 | 01,02 |
| 07 | C3703 | | ----- | NCJ11EK-106X-R | C CAPACITOR | (Addition) | 1 | 01,02 |
| 07 | C3711 | | ----- | NCJ11EK-106X-R | C CAPACITOR | (Addition) | 1 | 01,02 |
| 07 | C3712 | | ----- | QEKJ1CM-107Z | E CAPACITOR | (Addition) | 1 | 01,02 |
| 07 | C3713 | | ----- | NCJ11EK-106X-R | C CAPACITOR | (Addition) | 1 | 01,02 |
| 07 | C3714 | | ----- | NCB31CK-104X | C CAPACITOR | (Addition) | 1 | 01,02 |
| 07 | C3715 | | ----- | NCB31HK-472X | C CAPACITOR | (Addition) | 1 | 01,02 |
| 07 | C3721 | | ----- | NCJ11EK-106X-R | C CAPACITOR | (Addition) | 1 | 01,02 |
| 07 | C3722 | | ----- | QEKJ1CM-107Z | E CAPACITOR | (Addition) | 1 | 01,02 |
| 07 | C3723 | | ----- | NCJ11EK-106X-R | C CAPACITOR | (Addition) | 1 | 01,02 |
| 07 | C3724 | | ----- | NCB31CK-104X | C CAPACITOR | (Addition) | 1 | 01,02 |
| 07 | C3725 | | ----- | NCB31HK-472X | C CAPACITOR | (Addition) | 1 | 01,02 |
| 07 | C3732 | | ----- | QEKJ1EM-106Z | E CAPACITOR | (Addition) | 1 | 01,02 |
| 07 | C3741 | | ----- | NCB11EK-105X | C CAPACITOR | (Addition) | 1 | 01,02 |
| 07 | C3742 | | ----- | NCJ11EK-106X-R | C CAPACITOR | (Addition) | 1 | 01,02 |
| 07 | C3743 | | ----- | NCB11EK-105X | C CAPACITOR | (Addition) | 1 | 01,02 |
| 07 | C3744 | | ----- | NDC31HJ-220X | C CAPACITOR | (Addition) | 1 | 01,02 |
| 07 | C3745 | | ----- | NCB11EK-105X | C CAPACITOR | (Addition) | 1 | 01,02 |
| 07 | C3746 | | ----- | NCB11EK-105X | C CAPACITOR | (Addition) | 1 | 01,02 |
| 07 | C3747 | | ----- | NCB31HK-103X | C CAPACITOR | (Addition) | 1 | 01,02 |
| 07 | C3748 | | ----- | NCB11EK-105X | C CAPACITOR | (Addition) | 1 | 01,02 |
| 07 | C3749 | | ----- | NCJ11EK-106X-R | C CAPACITOR | (Addition) | 1 | 01,02 |
| 07 | C3750 | | ----- | NCJ11EK-106X-R | C CAPACITOR | (Addition) | 1 | 01,02 |
| 07 | C3751 | | ----- | NCB31HK-103X | C CAPACITOR | (Addition) | 1 | 01,02 |
| 07 | C3752 | | ----- | NCB31CK-105X | C CAPACITOR | (Addition) | 1 | 01,02 |
| 07 | C3753 | | ----- | NCJ11EK-106X-R | C CAPACITOR | (Addition) | 1 | 01,02 |
| 07 | C3754 | | ----- | NCB11EK-105X | C CAPACITOR | (Addition) | 1 | 01,02 |
| 07 | C3755 | | ----- | NDC31HJ-471X | C CAPACITOR | (Addition) | 1 | 01,02 |
| 07 | C3756 | | ----- | NCB31CK-105X | C CAPACITOR | (Addition) | 1 | 01,02 |
| 07 | C3802 | | ----- | NDC31HJ-101X | C CAPACITOR | (Addition) | 1 | 01,02 |
| 07 | C3803 | | ----- | NCB31CK-105X | C CAPACITOR | (Addition) | 1 | 01,02 |
| 07 | C3804 | | ----- | NCB31CK-105X | C CAPACITOR | (Addition) | 1 | 01,02 |
| 07 | C3805 | | ----- | NDC31HJ-561X | C CAPACITOR | (Addition) | 1 | 01,02 |
| 07 | C3806 | | ----- | QEKJ1CM-476Z | E CAPACITOR | (Addition) | 1 | 01,02 |
| 07 | C3807 | | ----- | NCB31EK-333X | C CAPACITOR | (Addition) | 1 | 01,02 |
| 07 | C3808 | | ----- | NCB31EK-333X | C CAPACITOR | (Addition) | 1 | 01,02 |
| 07 | C3809 | | ----- | NCB31HK-104X | C CAPACITOR | (Addition) | 1 | 01,02 |
| 07 | C3810 | | ----- | NDC31HJ-561X | C CAPACITOR | (Addition) | 1 | 01,02 |
| 07 | C3811 | | ----- | NCJ11EK-106X-R | C CAPACITOR | (Addition) | 1 | 01,02 |
| 07 | C3812 | | ----- | NCB31CK-105X | C CAPACITOR | (Addition) | 1 | 01,02 |
| 07 | C3813 | | ----- | NCJ11EK-106X-R | C CAPACITOR | (Addition) | 1 | 01,02 |
| 07 | C3814 | | ----- | NCB31HK-104X | C CAPACITOR | (Addition) | 1 | 01,02 |
| 07 | C3911 | | ----- | NCB31CK-104X | C CAPACITOR | (Addition) | 1 | 01,02 |
| 07 | C3912 | | ----- | NDC31HJ-101X | C CAPACITOR | (Addition) | 1 | 01,02 |
| 07 | C3921 | | ----- | NDC31HJ-101X | C CAPACITOR | (Addition) | 1 | 02 |
| 07 | C3922 | | ----- | NCB31HK-472X | C CAPACITOR | (Addition) | 1 | 02 |
| 07 | C3923 | | ----- | NCB31HK-102X | C CAPACITOR | (Addition) | 1 | 02 |
| 07 | C3924 | | ----- | NCB31HK-104X | C CAPACITOR | (Addition) | 1 | 02 |

| △ | Symbol | or | Part No. | | Part Name | Description | Qty | Models |
|----|--------|----|-----------|--------------|-------------|-------------|-----|--------|
| | | | <Rev.001> | <Rev.002> | | | | |
| 07 | R3002 | | ----- | NRSA63J-101X | MG RESISTOR | (Addition) | 1 | 01,02 |
| 07 | R3003 | | ----- | NRSA63J-101X | MG RESISTOR | (Addition) | 1 | 01,02 |
| 07 | R3004 | | ----- | NRSA63J-101X | MG RESISTOR | (Addition) | 1 | 01,02 |
| 07 | R3005 | | ----- | NRSA63J-101X | MG RESISTOR | (Addition) | 1 | 01,02 |
| 07 | R3006 | | ----- | NRSA63J-101X | MG RESISTOR | (Addition) | 1 | 01,02 |
| 07 | R3007 | | ----- | NRSA63J-101X | MG RESISTOR | (Addition) | 1 | 01,02 |
| 07 | R3008 | | ----- | NRSA63J-101X | MG RESISTOR | (Addition) | 1 | 01,02 |
| 07 | R3009 | | ----- | NRSA63J-101X | MG RESISTOR | (Addition) | 1 | 01,02 |
| 07 | R3010 | | ----- | NRSA63J-101X | MG RESISTOR | (Addition) | 1 | 01,02 |
| 07 | R3011 | | ----- | NRSA63J-101X | MG RESISTOR | (Addition) | 1 | 01,02 |
| 07 | R3012 | | ----- | NRSA63J-101X | MG RESISTOR | (Addition) | 1 | 01,02 |
| 07 | R3013 | | ----- | NRSA63J-101X | MG RESISTOR | (Addition) | 1 | 01,02 |
| 07 | R3014 | | ----- | NRSA63J-101X | MG RESISTOR | (Addition) | 1 | 01,02 |
| 07 | R3015 | | ----- | NRSA63J-101X | MG RESISTOR | (Addition) | 1 | 01,02 |
| 07 | R3016 | | ----- | NRSA63J-101X | MG RESISTOR | (Addition) | 1 | 01,02 |
| 07 | R3017 | | ----- | NRSA63J-101X | MG RESISTOR | (Addition) | 1 | 01,02 |
| 07 | R3018 | | ----- | NRSA63J-101X | MG RESISTOR | (Addition) | 1 | 01,02 |
| 07 | R3019 | | ----- | NRSA63J-101X | MG RESISTOR | (Addition) | 1 | 01,02 |
| 07 | R3020 | | ----- | NRSA63J-101X | MG RESISTOR | (Addition) | 1 | 01,02 |
| 07 | R3021 | | ----- | NRSA63J-101X | MG RESISTOR | (Addition) | 1 | 01,02 |
| 07 | R3022 | | ----- | NRSA63J-101X | MG RESISTOR | (Addition) | 1 | 01,02 |
| 07 | R3023 | | ----- | NRSA63J-101X | MG RESISTOR | (Addition) | 1 | 01,02 |
| 07 | R3031 | | ----- | NRSA63J-101X | MG RESISTOR | (Addition) | 1 | 01,02 |
| 07 | R3032 | | ----- | NRSA63J-101X | MG RESISTOR | (Addition) | 1 | 01,02 |
| 07 | R3033 | | ----- | NRS125J-R22X | MG RESISTOR | (Addition) | 1 | 01,02 |
| 07 | R3034 | | ----- | NRS125J-R22X | MG RESISTOR | (Addition) | 1 | 01,02 |
| 07 | R3035 | | ----- | NRSA63J-104X | MG RESISTOR | (Addition) | 1 | 01,02 |
| 07 | R3036 | | ----- | NRSA63J-104X | MG RESISTOR | (Addition) | 1 | 01,02 |
| 07 | R3037 | | ----- | NRS125J-R22X | MG RESISTOR | (Addition) | 1 | 01,02 |
| 07 | R3038 | | ----- | NRS125J-R22X | MG RESISTOR | (Addition) | 1 | 01,02 |
| 07 | R3101 | | ----- | NRSA63J-0R0X | MG RESISTOR | (Addition) | 1 | 01,02 |
| 07 | R3102 | | ----- | NRSA63J-103X | MG RESISTOR | (Addition) | 1 | 01,02 |
| 07 | R3103 | | ----- | NRSA63J-0R0X | MG RESISTOR | (Addition) | 1 | 01,02 |
| 07 | R3104 | | ----- | NRSA63J-103X | MG RESISTOR | (Addition) | 1 | 01,02 |
| 07 | R3105 | | ----- | NRSA63J-102X | MG RESISTOR | (Addition) | 1 | 01,02 |
| 07 | R3106 | | ----- | NRSA63J-102X | MG RESISTOR | (Addition) | 1 | 01 |
| 07 | R3107 | | ----- | NRSA63J-102X | MG RESISTOR | (Addition) | 1 | 01 |
| 07 | R3108 | | ----- | NRSA63J-102X | MG RESISTOR | (Addition) | 1 | 01 |
| 07 | R3109 | | ----- | NRSA63J-102X | MG RESISTOR | (Addition) | 1 | 01,02 |
| 07 | R3110 | | ----- | NRSA63J-103X | MG RESISTOR | (Addition) | 1 | 01,02 |
| 07 | R3111 | | ----- | NRSA63J-102X | MG RESISTOR | (Addition) | 1 | 01,02 |
| 07 | R3113 | | ----- | NRSA63J-102X | MG RESISTOR | (Addition) | 1 | 01 |
| 07 | R3114 | | ----- | NRSA63J-102X | MG RESISTOR | (Addition) | 1 | 01 |
| 07 | R3115 | | ----- | NRSA63J-102X | MG RESISTOR | (Addition) | 1 | 01 |
| 07 | R3116 | | ----- | NRSA63J-103X | MG RESISTOR | (Addition) | 1 | 01,02 |
| 07 | R3117 | | ----- | NRSA63J-103X | MG RESISTOR | (Addition) | 1 | 01,02 |
| 07 | R3118 | | ----- | NRSA63J-102X | MG RESISTOR | (Addition) | 1 | 01,02 |
| 07 | R3124 | | ----- | NRSA63J-103X | MG RESISTOR | (Addition) | 1 | 01,02 |
| 07 | R3125 | | ----- | NRSA63J-101X | MG RESISTOR | (Addition) | 1 | 01,02 |
| 07 | R3126 | | ----- | NRSA63J-472X | MG RESISTOR | (Addition) | 1 | 01,02 |
| 07 | R3127 | | ----- | NRSA63J-102X | MG RESISTOR | (Addition) | 1 | 01,02 |
| 07 | R3128 | | ----- | NRSA63J-0R0X | MG RESISTOR | (Addition) | 1 | 01,02 |
| 07 | R3129 | | ----- | NRSA63J-103X | MG RESISTOR | (Addition) | 1 | 01,02 |
| 07 | R3130 | | ----- | NRSA63J-103X | MG RESISTOR | (Addition) | 1 | 02 |
| 07 | R3131 | | ----- | NRSA63J-103X | MG RESISTOR | (Addition) | 1 | 02 |
| 07 | R3132 | | ----- | NRSA63J-103X | MG RESISTOR | (Addition) | 1 | 02 |
| 07 | R3134 | | ----- | NRSA63J-223X | MG RESISTOR | (Addition) | 1 | 01,02 |
| 07 | R3135 | | ----- | NRSA63J-101X | MG RESISTOR | (Addition) | 1 | 01,02 |
| 07 | R3136 | | ----- | NRSA63J-103X | MG RESISTOR | (Addition) | 1 | 01,02 |
| 07 | R3137 | | ----- | NRSA63J-103X | MG RESISTOR | (Addition) | 1 | 01,02 |
| 07 | R3201 | | ----- | NRSA63J-151X | MG RESISTOR | (Addition) | 1 | 01 |
| 07 | R3202 | | ----- | NRSA63J-151X | MG RESISTOR | (Addition) | 1 | 01 |
| 07 | R3203 | | ----- | NRSA63J-0R0X | MG RESISTOR | (Addition) | 1 | 01 |
| 07 | R3211 | | ----- | NRSA63J-102X | MG RESISTOR | (Addition) | 1 | 01 |
| 07 | R3212 | | ----- | NRSA63J-104X | MG RESISTOR | (Addition) | 1 | 01 |
| 07 | R3213 | | ----- | NRSA63J-104X | MG RESISTOR | (Addition) | 1 | 01 |
| 07 | R3214 | | ----- | NRSA63J-392X | MG RESISTOR | (Addition) | 1 | 01 |
| 07 | R3215 | | ----- | NRSA63J-682X | MG RESISTOR | (Addition) | 1 | 01 |

| △ | Symbol | or | Part No. | | Part Name | Description | Qty | Models |
|----|--------|----|-----------|--------------|-------------|-------------|-----|--------|
| | | | <Rev.001> | <Rev.002> | | | | |
| 07 | R3216 | | ----- | NRSA63J-102X | MG RESISTOR | (Addition) | 1 | 01 |
| 07 | R3217 | | ----- | NRSA63J-104X | MG RESISTOR | (Addition) | 1 | 01 |
| 07 | R3218 | | ----- | NRSA63J-101X | MG RESISTOR | (Addition) | 1 | 01 |
| 07 | R3219 | | ----- | NRSA63J-101X | MG RESISTOR | (Addition) | 1 | 01 |
| 07 | R3220 | | ----- | NRSA63J-104X | MG RESISTOR | (Addition) | 1 | 01 |
| 07 | R3221 | | ----- | NRSA63J-102X | MG RESISTOR | (Addition) | 1 | 01 |
| 07 | R3222 | | ----- | NRSA63J-104X | MG RESISTOR | (Addition) | 1 | 01 |
| 07 | R3223 | | ----- | NRSA63J-392X | MG RESISTOR | (Addition) | 1 | 01 |
| 07 | R3224 | | ----- | NRSA63J-682X | MG RESISTOR | (Addition) | 1 | 01 |
| 07 | R3251 | | ----- | NRS181J-0R0X | MG RESISTOR | (Addition) | 1 | 01,02 |
| 07 | R3301 | | ----- | NRSA63J-750X | MG RESISTOR | (Addition) | 1 | 01,02 |
| 07 | R3303 | | ----- | NRSA63J-222X | MG RESISTOR | (Addition) | 1 | 01,02 |
| 07 | R3304 | | ----- | NRSA63J-222X | MG RESISTOR | (Addition) | 1 | 01,02 |
| 07 | R3305 | | ----- | NRSA63J-223X | MG RESISTOR | (Addition) | 1 | 01,02 |
| 07 | R3306 | | ----- | NRSA63J-223X | MG RESISTOR | (Addition) | 1 | 01,02 |
| 07 | R3307 | | ----- | NRSA63J-471X | MG RESISTOR | (Addition) | 1 | 01,02 |
| 07 | R3308 | | ----- | NRSA63J-0R0X | MG RESISTOR | (Addition) | 1 | 01,02 |
| 07 | R3309 | | ----- | NRSA63J-0R0X | MG RESISTOR | (Addition) | 1 | 01,02 |
| 07 | R3310 | | ----- | NRSA63J-0R0X | MG RESISTOR | (Addition) | 1 | 01,02 |
| 07 | R3311 | | ----- | NRSA63J-0R0X | MG RESISTOR | (Addition) | 1 | 01,02 |
| 07 | R3312 | | ----- | NRSA63J-0R0X | MG RESISTOR | (Addition) | 1 | 01,02 |
| 07 | R3313 | | ----- | NRSA63J-271X | MG RESISTOR | (Addition) | 1 | 01,02 |
| 07 | R3314 | | ----- | NRSA63J-101X | MG RESISTOR | (Addition) | 1 | 02 |
| 07 | R3315 | | ----- | NRSA63J-101X | MG RESISTOR | (Addition) | 1 | 01,02 |
| 07 | R3411 | | ----- | NRSA63J-471X | MG RESISTOR | (Addition) | 1 | 01,02 |
| 07 | R3412 | | ----- | NRSA63J-471X | MG RESISTOR | (Addition) | 1 | 01,02 |
| 07 | R3414 | | ----- | NRSA63J-390X | MG RESISTOR | (Addition) | 1 | 01,02 |
| 07 | R3421 | | ----- | NRSA63J-471X | MG RESISTOR | (Addition) | 1 | 01,02 |
| 07 | R3422 | | ----- | NRSA63J-471X | MG RESISTOR | (Addition) | 1 | 01,02 |
| 07 | R3424 | | ----- | NRSA63J-390X | MG RESISTOR | (Addition) | 1 | 01,02 |
| 07 | R3431 | | ----- | NRSA63J-332X | MG RESISTOR | (Addition) | 1 | 01,02 |
| 07 | R3432 | | ----- | NRSA63J-181X | MG RESISTOR | (Addition) | 1 | 01,02 |
| 07 | R3434 | | ----- | NRSA63J-0R0X | MG RESISTOR | (Addition) | 1 | 01,02 |
| 07 | R3451 | | ----- | NRSA63J-0R0X | MG RESISTOR | (Addition) | 1 | 01,02 |
| 07 | R3452 | | ----- | NRSA63J-0R0X | MG RESISTOR | (Addition) | 1 | 01,02 |
| 07 | R3504 | | ----- | NRSA63J-473X | MG RESISTOR | (Addition) | 1 | 01,02 |
| 07 | R3508 | | ----- | NRSA63J-473X | MG RESISTOR | (Addition) | 1 | 01,02 |
| 07 | R3510 | | ----- | NRSA63J-473X | MG RESISTOR | (Addition) | 1 | 01,02 |
| 07 | R3513 | | ----- | NRSA63J-473X | MG RESISTOR | (Addition) | 1 | 01,02 |
| 07 | R3515 | | ----- | NRSA63J-473X | MG RESISTOR | (Addition) | 1 | 01,02 |
| 07 | R3516 | | ----- | NRSA63J-0R0X | MG RESISTOR | (Addition) | 1 | 01,02 |
| 07 | R3517 | | ----- | NRSA63J-0R0X | MG RESISTOR | (Addition) | 1 | 01,02 |
| 07 | R3518 | | ----- | NRSA63J-224X | MG RESISTOR | (Addition) | 1 | 01,02 |
| 07 | R3519 | | ----- | NRSA63J-224X | MG RESISTOR | (Addition) | 1 | 01,02 |
| 07 | R3551 | | ----- | NRSA63J-0R0X | MG RESISTOR | (Addition) | 1 | 01,02 |
| 07 | R3711 | | ----- | NRSA63D-224X | MG RESISTOR | (Addition) | 1 | 01,02 |
| 07 | R3712 | | ----- | NRSA63J-154X | MG RESISTOR | (Addition) | 1 | 01,02 |
| 07 | R3713 | | ----- | NRSA63D-623X | MG RESISTOR | (Addition) | 1 | 01,02 |
| 07 | R3714 | | ----- | NRSA63D-224X | MG RESISTOR | (Addition) | 1 | 01,02 |
| 07 | R3715 | | ----- | NRSA63D-103X | MG RESISTOR | (Addition) | 1 | 01,02 |
| 07 | R3721 | | ----- | NRSA63D-224X | MG RESISTOR | (Addition) | 1 | 01,02 |
| 07 | R3722 | | ----- | NRSA63J-154X | MG RESISTOR | (Addition) | 1 | 01,02 |
| 07 | R3723 | | ----- | NRSA63D-243X | MG RESISTOR | (Addition) | 1 | 01,02 |
| 07 | R3725 | | ----- | NRSA63D-103X | MG RESISTOR | (Addition) | 1 | 01,02 |
| 07 | R3741 | | ----- | NRSA63J-154X | MG RESISTOR | (Addition) | 1 | 01,02 |
| 07 | R3742 | | ----- | NRSA63J-473X | MG RESISTOR | (Addition) | 1 | 01,02 |
| 07 | R3743 | | ----- | NRSA63J-104X | MG RESISTOR | (Addition) | 1 | 01,02 |
| 07 | R3744 | | ----- | NRSA63J-682X | MG RESISTOR | (Addition) | 1 | 01,02 |
| 07 | R3745 | | ----- | NRSA63D-184X | MG RESISTOR | (Addition) | 1 | 01,02 |
| 07 | R3746 | | ----- | NRSA63D-203X | MG RESISTOR | (Addition) | 1 | 01,02 |
| 07 | R3747 | | ----- | NRSA63J-331X | MG RESISTOR | (Addition) | 1 | 01,02 |
| 07 | R3748 | | ----- | NRSA63J-104X | MG RESISTOR | (Addition) | 1 | 01,02 |
| 07 | R3749 | | ----- | NRSA63J-102X | MG RESISTOR | (Addition) | 1 | 01,02 |
| 07 | R3750 | | ----- | NRSA63J-0R0X | MG RESISTOR | (Addition) | 1 | 01,02 |
| 07 | R3751 | | ----- | NRSA63J-202X | MG RESISTOR | (Addition) | 1 | 01,02 |
| 07 | R3752 | | ----- | NRSA63J-223X | MG RESISTOR | (Addition) | 1 | 01,02 |
| 07 | R3753 | | ----- | NRSA63J-562X | MG RESISTOR | (Addition) | 1 | 01,02 |
| 07 | R3801 | | ----- | NRSA63J-122X | MG RESISTOR | (Addition) | 1 | 01,02 |

| △ | Symbol | or | Part No. | | Part Name | Description | Qty | Models |
|---|--------|-------|-----------|----------------|-----------------|-------------|-----|--------|
| | | | <Rev.001> | <Rev.002> | | | | |
| | 07 | R3802 | ----- | NRSA63J-122X | MG RESISTOR | (Addition) | 1 | 01,02 |
| | 07 | R3803 | ----- | NRSA63J-333X | MG RESISTOR | (Addition) | 1 | 01,02 |
| | 07 | R3804 | ----- | NRSA63J-822X | MG RESISTOR | (Addition) | 1 | 01,02 |
| | 07 | R3805 | ----- | NRSA63J-822X | MG RESISTOR | (Addition) | 1 | 01,02 |
| | 07 | R3806 | ----- | NRSA63J-223X | MG RESISTOR | (Addition) | 1 | 01,02 |
| | 07 | R3807 | ----- | NRSA63J-223X | MG RESISTOR | (Addition) | 1 | 01,02 |
| | 07 | R3808 | ----- | NRSA63J-333X | MG RESISTOR | (Addition) | 1 | 01,02 |
| | 07 | R3809 | ----- | NRSA63J-822X | MG RESISTOR | (Addition) | 1 | 01,02 |
| | 07 | R3810 | ----- | NRSA63J-333X | MG RESISTOR | (Addition) | 1 | 01,02 |
| | 07 | R3811 | ----- | NRSA63J-100X | MG RESISTOR | (Addition) | 1 | 01,02 |
| | 07 | R3812 | ----- | NRSA63J-680X | MG RESISTOR | (Addition) | 1 | 01,02 |
| | 07 | R3813 | ----- | NRSA63J-680X | MG RESISTOR | (Addition) | 1 | 01,02 |
| | 07 | R3911 | ----- | NRSA63J-0R0X | MG RESISTOR | (Addition) | 1 | 01,02 |
| | 07 | R3912 | ----- | NRSA63J-103X | MG RESISTOR | (Addition) | 1 | 01,02 |
| | 07 | R3914 | ----- | NRSA63J-473X | MG RESISTOR | (Addition) | 1 | 01,02 |
| | 07 | R3921 | ----- | NRSA63J-513X | MG RESISTOR | (Addition) | 1 | 02 |
| | 07 | R3922 | ----- | NRSA63J-513X | MG RESISTOR | (Addition) | 1 | 02 |
| | 07 | R3923 | ----- | NRSA63J-513X | MG RESISTOR | (Addition) | 1 | 02 |
| | 07 | R3924 | ----- | NRSA63J-683X | MG RESISTOR | (Addition) | 1 | 02 |
| | 07 | R3925 | ----- | NRSA63J-683X | MG RESISTOR | (Addition) | 1 | 02 |
| | 07 | R3926 | ----- | NRSA63J-103X | MG RESISTOR | (Addition) | 1 | 02 |
| | 07 | R3927 | ----- | NRSA63J-513X | MG RESISTOR | (Addition) | 1 | 02 |
| | 07 | R3928 | ----- | NRSA63J-563X | MG RESISTOR | (Addition) | 1 | 02 |
| | 07 | R3929 | ----- | NRSA63J-683X | MG RESISTOR | (Addition) | 1 | 02 |
| | 07 | R3930 | ----- | NRSA63J-104X | MG RESISTOR | (Addition) | 1 | 02 |
| | 07 | R3931 | ----- | NRSA63J-822X | MG RESISTOR | (Addition) | 1 | 02 |
| | 07 | RA341 | ----- | NRZ0065-301X | MG RESISTOR | (Addition) | 1 | 01,02 |
| | 07 | RA342 | ----- | NRZ0065-301X | MG RESISTOR | (Addition) | 1 | 01,02 |
| | 07 | L3101 | ----- | NQL79GK-100X | COIL | (Addition) | 1 | 01,02 |
| | 07 | L3201 | ----- | NQLC8CN-4R9X | COIL | (Addition) | 1 | 01 |
| | 07 | L3401 | ----- | NQL79GK-470X | COIL | (Addition) | 1 | 01,02 |
| | 07 | L3701 | ----- | NQLC8CN-4R9X | COIL | (Addition) | 1 | 01,02 |
| | 07 | L3711 | ----- | NQL71EM-330X | COIL | (Addition) | 1 | 01,02 |
| | 07 | L3721 | ----- | NQL71EM-330X | COIL | (Addition) | 1 | 01,02 |
| | 07 | L3741 | ----- | NQL79GK-100X | COIL | (Addition) | 1 | 01,02 |
| | 07 | L3742 | ----- | NQLZ007-4R7X | COIL | (Addition) | 1 | 01,02 |
| | 07 | L3743 | ----- | NQL79GK-470X | COIL | (Addition) | 1 | 01,02 |
| | 07 | L3801 | ----- | NQL79GK-470X | COIL | (Addition) | 1 | 01,02 |
| | 07 | BK331 | ----- | LV36554-002A | CONNECTOR BKT | (Addition) | 1 | 01 |
| | 07 | BK381 | ----- | LV38639-001A | MIC BKT | (Addition) | 1 | 01 |
| | 07 | CN301 | ----- | QGB0815K1-60X | CONNECTOR | (Addition) | 1 | 01,02 |
| | 07 | CN302 | ----- | QGB1004K2-30W | CONNECTOR | (Addition) | 1 | 01,02 |
| | 07 | CN321 | ----- | QNZ0095-001 | CONNECTOR | (Addition) | 1 | 01 |
| | 07 | CN325 | ----- | QGA2001C7-02X | CONNECTOR | (Addition) | 1 | 01,02 |
| | 07 | CN331 | ----- | QGA2015F1-14 | CONNECTOR | (Addition) | 1 | 01,02 |
| | 07 | CN351 | ----- | QGB2027M4-30S | CONNECTOR | (Addition) | 1 | 01,02 |
| | 07 | EP301 | ----- | NNZ0165-001X | EARTH TERMINAL | (Addition) | 1 | 01,02 |
| | 07 | EP302 | ----- | NNZ0165-001X | EARTH TERMINAL | (Addition) | 1 | 01,02 |
| | 07 | EP303 | ----- | NNZ0165-001X | EARTH TERMINAL | (Addition) | 1 | 01,02 |
| | 07 | EP304 | ----- | NNZ0165-001X | EARTH TERMINAL | (Addition) | 1 | 01,02 |
| | 07 | EP305 | ----- | NNZ0165-001X | EARTH TERMINAL | (Addition) | 1 | 01,02 |
| △ | 07 | F3001 | ----- | NMFZ018-R75X-E | FUSE | (Addition) | 1 | 02 |
| | 07 | F3001 | ----- | NMFZ018-R75X-E | FUSE | (Addition) | 1 | 01 |
| △ | 07 | F3031 | ----- | NMFZ018-4R0X-E | FUSE | (Addition) | 1 | 02 |
| | 07 | F3031 | ----- | NMFZ018-4R0X-E | FUSE | (Addition) | 1 | 01 |
| △ | 07 | F3032 | ----- | NMFZ018-4R0X-E | FUSE | (Addition) | 1 | 02 |
| | 07 | F3032 | ----- | NMFZ018-4R0X-E | FUSE | (Addition) | 1 | 01 |
| | 07 | J3801 | ----- | QNS0283-001 | STEERING REMOTE | (Addition) | 1 | 01,02 |
| | 07 | K3001 | ----- | NQR0201-004X | FERRITE BEADS | (Addition) | 1 | 01,02 |
| | 07 | K3002 | ----- | NQR0201-004X | FERRITE BEADS | (Addition) | 1 | 01,02 |
| | 07 | K3551 | ----- | NQR0022-005X | FERRITE BEADS | (Addition) | 1 | 01,02 |
| | 07 | K3801 | ----- | NRSA63J-0R0X | MG RESISTOR | (Addition) | 1 | 01,02 |
| | 07 | K3802 | ----- | NRSA63J-0R0X | MG RESISTOR | (Addition) | 1 | 01,02 |
| | 07 | PP3 | ----- | QZW0010-001 | STYLE PIN | (Addition) | 1 | 01,02 |
| | 07 | S3001 | ----- | NSW0126-001X | DETECT SWITCH | (Addition) | 1 | 01,02 |

Detach board common [08]

| △ | Symbol | or | Part No. | | Part Name | Description | Qty | Models |
|----|--------|----|-----------|-----------------|-------------|-------------|-----|--------|
| | | | <Rev.001> | <Rev.002> | | | | |
| 08 | IC401 | | ----- | RUQ050N02-W | MOS FET | (Addition) | 1 | 01,02 |
| 08 | IC451 | | ----- | BA00CC0WFP-X | IC | (Addition) | 1 | 01,02 |
| 08 | IC452 | | ----- | BA00CC0WFP-X | IC | (Addition) | 1 | 01,02 |
| 08 | IC453 | | ----- | NJM4580E-X | IC | (Addition) | 1 | 01,02 |
| 08 | Q451 | | ----- | 2SC1623A/5-6/-X | TRANSISTOR | (Addition) | 1 | 01,02 |
| 08 | D401 | | ----- | MA8062/M/-X | Z DIODE | (Addition) | 1 | 01,02 |
| 08 | D402 | | ----- | MA8062/M/-X | Z DIODE | (Addition) | 1 | 01,02 |
| 08 | D403 | | ----- | MA8062/M/-X | Z DIODE | (Addition) | 1 | 01,02 |
| 08 | D404 | | ----- | MA8062/M/-X | Z DIODE | (Addition) | 1 | 01,02 |
| 08 | D405 | | ----- | MA8062/M/-X | Z DIODE | (Addition) | 1 | 01,02 |
| 08 | D406 | | ----- | MA8062/M/-X | Z DIODE | (Addition) | 1 | 01,02 |
| 08 | D407 | | ----- | MA8062/M/-X | Z DIODE | (Addition) | 1 | 01,02 |
| 08 | D408 | | ----- | MA8062/M/-X | Z DIODE | (Addition) | 1 | 01,02 |
| 08 | D409 | | ----- | MA8062/M/-X | Z DIODE | (Addition) | 1 | 01,02 |
| 08 | D410 | | ----- | MA8062/M/-X | Z DIODE | (Addition) | 1 | 01,02 |
| 08 | D411 | | ----- | MA8062/M/-X | Z DIODE | (Addition) | 1 | 01,02 |
| 08 | D412 | | ----- | MA8062/M/-X | Z DIODE | (Addition) | 1 | 01,02 |
| 08 | D413 | | ----- | MA8062/M/-X | Z DIODE | (Addition) | 1 | 01,02 |
| 08 | D414 | | ----- | MA8062/M/-X | Z DIODE | (Addition) | 1 | 01,02 |
| 08 | D415 | | ----- | MA8062/M/-X | Z DIODE | (Addition) | 1 | 01,02 |
| 08 | D416 | | ----- | MA8062/M/-X | Z DIODE | (Addition) | 1 | 01,02 |
| 08 | D417 | | ----- | MA8062/M/-X | Z DIODE | (Addition) | 1 | 01,02 |
| 08 | D418 | | ----- | MA8062/M/-X | Z DIODE | (Addition) | 1 | 01,02 |
| 08 | D419 | | ----- | MA8062/M/-X | Z DIODE | (Addition) | 1 | 01,02 |
| 08 | D420 | | ----- | MA8062/M/-X | Z DIODE | (Addition) | 1 | 01,02 |
| 08 | D421 | | ----- | MA8062/M/-X | Z DIODE | (Addition) | 1 | 01,02 |
| 08 | D422 | | ----- | MA8062/M/-X | Z DIODE | (Addition) | 1 | 01,02 |
| 08 | D423 | | ----- | MA8062/M/-X | Z DIODE | (Addition) | 1 | 01,02 |
| 08 | D451 | | ----- | CRS03-W | SB DIODE | (Addition) | 1 | 01,02 |
| 08 | D452 | | ----- | CRS03-W | SB DIODE | (Addition) | 1 | 01,02 |
| 08 | D453 | | ----- | CRS03-W | SB DIODE | (Addition) | 1 | 01,02 |
| 08 | D454 | | ----- | MA8056/H/-X | Z DIODE | (Addition) | 1 | 01,02 |
| 08 | D458 | | ----- | CRS03-W | SB DIODE | (Addition) | 1 | 01,02 |
| 08 | D459 | | ----- | CRS03-W | SB DIODE | (Addition) | 1 | 01,02 |
| 08 | D491 | | ----- | NECBB205/WPQR/X | LED | (Addition) | 1 | 01,02 |
| 08 | D4531 | | ----- | MA8051/M/-X | Z DIODE | (Addition) | 1 | 01,02 |
| 08 | D4541 | | ----- | MA8051/M/-X | Z DIODE | (Addition) | 1 | 01,02 |
| 08 | C451 | | ----- | NEAF1CM-476X | E CAPACITOR | (Addition) | 1 | 01,02 |
| 08 | C452 | | ----- | NEAF1CM-107X | E CAPACITOR | (Addition) | 1 | 01,02 |
| 08 | C453 | | ----- | NCB31CK-104X | C CAPACITOR | (Addition) | 1 | 01,02 |
| 08 | C454 | | ----- | NEAF1CM-476X | E CAPACITOR | (Addition) | 1 | 01,02 |
| 08 | C455 | | ----- | NEAF1CM-107X | E CAPACITOR | (Addition) | 1 | 01,02 |
| 08 | C456 | | ----- | NCB31CK-104X | C CAPACITOR | (Addition) | 1 | 01,02 |
| 08 | C457 | | ----- | NEAF1CM-107X | E CAPACITOR | (Addition) | 1 | 01,02 |
| 08 | C458 | | ----- | NEAF1CM-107X | E CAPACITOR | (Addition) | 1 | 01,02 |
| 08 | C4501 | | ----- | NCB31CK-104X | C CAPACITOR | (Addition) | 1 | 01,02 |
| 08 | C4503 | | ----- | NDC31HJ-471X | C CAPACITOR | (Addition) | 1 | 01,02 |
| 08 | C4504 | | ----- | NCB31CK-104X | C CAPACITOR | (Addition) | 1 | 01,02 |
| 08 | C4505 | | ----- | NCB31CK-104X | C CAPACITOR | (Addition) | 1 | 01,02 |
| 08 | C4506 | | ----- | NCB31CK-104X | C CAPACITOR | (Addition) | 1 | 01,02 |
| 08 | C4507 | | ----- | NCB31HK-103X | C CAPACITOR | (Addition) | 1 | 01,02 |
| 08 | C4508 | | ----- | NDC31HJ-101X | C CAPACITOR | (Addition) | 1 | 01,02 |
| 08 | C4509 | | ----- | NCB31CK-104X | C CAPACITOR | (Addition) | 1 | 01,02 |
| 08 | C4531 | | ----- | NEAF1EM-475X | E CAPACITOR | (Addition) | 1 | 01,02 |
| 08 | C4532 | | ----- | NDC31HJ-821X | C CAPACITOR | (Addition) | 1 | 01,02 |
| 08 | C4533 | | ----- | NDC31HJ-681X | C CAPACITOR | (Addition) | 1 | 01,02 |
| 08 | C4534 | | ----- | NEAF1CM-107X | E CAPACITOR | (Addition) | 1 | 01,02 |
| 08 | C4535 | | ----- | NEAF1EM-475X | E CAPACITOR | (Addition) | 1 | 01,02 |
| 08 | C4536 | | ----- | NEAF1CM-107X | E CAPACITOR | (Addition) | 1 | 01,02 |
| 08 | C4538 | | ----- | NDC31HJ-331X | C CAPACITOR | (Addition) | 1 | 01,02 |
| 08 | C4541 | | ----- | NEAF1EM-475X | E CAPACITOR | (Addition) | 1 | 01,02 |
| 08 | C4542 | | ----- | NDC31HJ-821X | C CAPACITOR | (Addition) | 1 | 01,02 |
| 08 | C4543 | | ----- | NDC31HJ-681X | C CAPACITOR | (Addition) | 1 | 01,02 |
| 08 | C4544 | | ----- | NEAF1CM-107X | E CAPACITOR | (Addition) | 1 | 01,02 |
| 08 | C4545 | | ----- | NEAF1EM-475X | E CAPACITOR | (Addition) | 1 | 01,02 |
| 08 | C4548 | | ----- | NDC31HJ-331X | C CAPACITOR | (Addition) | 1 | 01,02 |

| △ | Symbol | or | Part No. | | Part Name | Description | Qty | Models |
|----|--------|----|-----------|---------------|----------------|-------------|-----|--------|
| | | | <Rev.001> | <Rev.002> | | | | |
| 08 | R401 | | ----- | NRSA63J-0R0X | MG RESISTOR | (Addition) | 1 | 01,02 |
| 08 | R402 | | ----- | NRSA63J-0R0X | MG RESISTOR | (Addition) | 1 | 01,02 |
| 08 | R403 | | ----- | NRSA63J-102X | MG RESISTOR | (Addition) | 1 | 01,02 |
| 08 | R451 | | ----- | NRSA63D-682X | MG RESISTOR | (Addition) | 1 | 01,02 |
| 08 | R452 | | ----- | NRSA63D-302X | MG RESISTOR | (Addition) | 1 | 01,02 |
| 08 | R453 | | ----- | NRSA63D-682X | MG RESISTOR | (Addition) | 1 | 01,02 |
| 08 | R454 | | ----- | NRSA63D-222X | MG RESISTOR | (Addition) | 1 | 01,02 |
| 08 | R455 | | ----- | NRSA63J-681X | MG RESISTOR | (Addition) | 1 | 01,02 |
| 08 | R457 | | ----- | NRSA63J-104X | MG RESISTOR | (Addition) | 1 | 01,02 |
| 08 | R4501 | | ----- | NRSA63J-101X | MG RESISTOR | (Addition) | 1 | 01,02 |
| 08 | R4531 | | ----- | NRSA63J-104X | MG RESISTOR | (Addition) | 1 | 01,02 |
| 08 | R4532 | | ----- | NRSA63J-182X | MG RESISTOR | (Addition) | 1 | 01,02 |
| 08 | R4533 | | ----- | NRSA63J-182X | MG RESISTOR | (Addition) | 1 | 01,02 |
| 08 | R4534 | | ----- | NRSA63J-104X | MG RESISTOR | (Addition) | 1 | 01,02 |
| 08 | R4535 | | ----- | NRSA63J-102X | MG RESISTOR | (Addition) | 1 | 01,02 |
| 08 | R4536 | | ----- | NRSA63J-752X | MG RESISTOR | (Addition) | 1 | 01,02 |
| 08 | R4537 | | ----- | NRSA63J-472X | MG RESISTOR | (Addition) | 1 | 01,02 |
| 08 | R4541 | | ----- | NRSA63J-104X | MG RESISTOR | (Addition) | 1 | 01,02 |
| 08 | R4542 | | ----- | NRSA63J-182X | MG RESISTOR | (Addition) | 1 | 01,02 |
| 08 | R4543 | | ----- | NRSA63J-182X | MG RESISTOR | (Addition) | 1 | 01,02 |
| 08 | R4544 | | ----- | NRSA63J-104X | MG RESISTOR | (Addition) | 1 | 01,02 |
| 08 | R4545 | | ----- | NRSA63J-102X | MG RESISTOR | (Addition) | 1 | 01,02 |
| 08 | R4546 | | ----- | NRSA63J-752X | MG RESISTOR | (Addition) | 1 | 01,02 |
| 08 | R4547 | | ----- | NRSA63J-472X | MG RESISTOR | (Addition) | 1 | 01,02 |
| 08 | CN401 | | ----- | NNZ0230-003 | CAR CONNECTOR | (Addition) | 1 | 01,02 |
| 08 | CN402 | | ----- | QGA1002F1-02X | CONNECTOR | (Addition) | 1 | 01,02 |
| 08 | CN411 | | ----- | QGB0815J1-60X | CONNECTOR | (Addition) | 1 | 01,02 |
| 08 | CN412 | | ----- | QGB1004J4-30X | CONNECTOR | (Addition) | 1 | 01,02 |
| 08 | CN421 | | ----- | QGB0815J1-60X | CONNECTOR | (Addition) | 1 | 01,02 |
| 08 | CN422 | | ----- | QGB1004J4-30X | CONNECTOR | (Addition) | 1 | 01,02 |
| 08 | CN451 | | ----- | QGB2027L9-30X | CONNECTOR | (Addition) | 1 | 01,02 |
| 08 | CN461 | | ----- | QGF0534F3-50X | CONNECTOR | (Addition) | 1 | 01,02 |
| 08 | CN491 | | ----- | QGA1002F1-02X | CONNECTOR | (Addition) | 1 | 01,02 |
| 08 | EP401 | | ----- | NNZ0165-001X | EARTH TERMINAL | (Addition) | 1 | 01,02 |
| 08 | EP402 | | ----- | NNZ0165-001X | EARTH TERMINAL | (Addition) | 1 | 01,02 |
| 08 | EP403 | | ----- | NNZ0165-001X | EARTH TERMINAL | (Addition) | 1 | 01,02 |
| 08 | EP451 | | ----- | NNZ0165-001X | EARTH TERMINAL | (Addition) | 1 | 01,02 |
| 08 | EP452 | | ----- | NNZ0165-001X | EARTH TERMINAL | (Addition) | 1 | 01,02 |
| 08 | EP453 | | ----- | NNZ0165-001X | EARTH TERMINAL | (Addition) | 1 | 01,02 |
| 08 | EP454 | | ----- | NNZ0165-001X | EARTH TERMINAL | (Addition) | 1 | 01,02 |

Panel board common [09]

| △ | Symbol | or | Part No. | | Part Name | Description | Qty | Models |
|----|--------|----|-----------|-----------------|-------------|-------------|-----|--------|
| | | | <Rev.001> | <Rev.002> | | | | |
| 09 | IC801 | | ----- | BU21010MUV-X | IC | (Addition) | 1 | 01,02 |
| 09 | IC901 | | ----- | JVM4233 | IC(MCU) | (Addition) | 1 | 01,02 |
| 09 | IC921 | | ----- | KE455U2557MFP | IC | (Addition) | 1 | 01,02 |
| 09 | IC941 | | ----- | NJM072BV-X | IC | (Addition) | 1 | 01,02 |
| 09 | IC945 | | ----- | TC74VHCT04AFT-X | IC | (Addition) | 1 | 01,02 |
| 09 | IC951 | | ----- | TPS61500PWP-X | IC | (Addition) | 1 | 01,02 |
| 09 | IC952 | | ----- | TC7S08FU-X | IC C.M. | (Addition) | 1 | 01,02 |
| 09 | IC970 | | ----- | TC4066BFT-X | IC(DIGITAL) | (Addition) | 1 | 01,02 |
| 09 | IC973 | | ----- | NJM4565E-X | IC | (Addition) | 1 | 01,02 |
| 09 | IC975 | | ----- | TC4066BFT-X | IC(DIGITAL) | (Addition) | 1 | 01,02 |
| 09 | IC980 | | ----- | NAU0004-005 | RF MODULE | (Addition) | 1 | 01,02 |
| 09 | IC983 | | ----- | NJM4565E-X | IC | (Addition) | 1 | 01,02 |
| 09 | IC985 | | ----- | NJM2229M-X | IC | (Addition) | 1 | 01,02 |
| 09 | IC986 | | ----- | NJM2505AF-X | IC | (Addition) | 1 | 01,02 |
| 09 | IC987 | | ----- | NJM2505AF-X | IC | (Addition) | 1 | 01,02 |
| 09 | IC991 | | ----- | BA50BC0FP-X | IC | (Addition) | 1 | 01,02 |
| 09 | IC992 | | ----- | NJM2871BF33-X | IC | (Addition) | 1 | 01,02 |
| 09 | IC993 | | ----- | BA00BC0WFP-X | IC(DIGITAL) | (Addition) | 1 | 01,02 |
| 09 | Q9101 | | ----- | 2SA2119K-X | TRANSISTOR | (Addition) | 1 | 01,02 |
| 09 | Q9102 | | ----- | 2SC5938A/B/-X | TRANSISTOR | (Addition) | 1 | 01,02 |
| 09 | Q9111 | | ----- | 2SA2119K-X | TRANSISTOR | (Addition) | 1 | 01,02 |
| 09 | Q9112 | | ----- | 2SC5938A/B/-X | TRANSISTOR | (Addition) | 1 | 01,02 |
| 09 | Q9121 | | ----- | ISA1530AC1/R/-X | TRANSISTOR | (Addition) | 1 | 01,02 |
| 09 | Q9401 | | ----- | 2SD601A/QR/-X | TRANSISTOR | (Addition) | 1 | 01,02 |

| △ | Symbol | or | Part No. | | Part Name | Description | Qty | Models |
|----|--------|----|-----------|----------------|-----------------|-------------|-----|--------|
| | | | <Rev.001> | <Rev.002> | | | | |
| 09 | Q9402 | | ----- | 2SB709A/QR/-X | TRANSISTOR | (Addition) | 1 | 01,02 |
| 09 | Q9403 | | ----- | 2SD601A/QR/-X | TRANSISTOR | (Addition) | 1 | 01,02 |
| 09 | Q9404 | | ----- | 2SB709A/QR/-X | TRANSISTOR | (Addition) | 1 | 01,02 |
| 09 | Q9511 | | ----- | RSQ025P03-W | TRANSISTOR | (Addition) | 1 | 01,02 |
| 09 | Q9512 | | ----- | 2SK3019-X | MOS FET | (Addition) | 1 | 01,02 |
| 09 | Q9601 | | ----- | RT1N141C-X | DIGI TRANSISTOR | (Addition) | 1 | 01,02 |
| 09 | Q9602 | | ----- | RT1N141C-X | DIGI TRANSISTOR | (Addition) | 1 | 01,02 |
| 09 | Q9701 | | ----- | RT1N141C-X | DIGI TRANSISTOR | (Addition) | 1 | 01,02 |
| 09 | Q9702 | | ----- | RT1N441C-X | TRANSISTOR | (Addition) | 1 | 01,02 |
| 09 | Q9711 | | ----- | RT1N141C-X | DIGI TRANSISTOR | (Addition) | 1 | 01,02 |
| 09 | Q9712 | | ----- | 2SB709A/QR/-X | TRANSISTOR | (Addition) | 1 | 01,02 |
| 09 | Q9713 | | ----- | 2SC5938A/B/-X | TRANSISTOR | (Addition) | 1 | 01,02 |
| 09 | Q9714 | | ----- | 2SB709A/QR/-X | TRANSISTOR | (Addition) | 1 | 01,02 |
| 09 | Q9715 | | ----- | 2SC5938A/B/-X | TRANSISTOR | (Addition) | 1 | 01,02 |
| 09 | Q9751 | | ----- | RT1N141C-X | DIGI TRANSISTOR | (Addition) | 1 | 01,02 |
| 09 | Q9752 | | ----- | RT1N441C-X | TRANSISTOR | (Addition) | 1 | 01,02 |
| 09 | D8401 | | ----- | CL-260S-HB8-X | LED | (Addition) | 1 | 01,02 |
| 09 | D8402 | | ----- | CL-260S-HB8-X | LED | (Addition) | 1 | 01,02 |
| 09 | D8403 | | ----- | CL-260S-HB8-X | LED | (Addition) | 1 | 01,02 |
| 09 | D8404 | | ----- | CL-260S-HB8-X | LED | (Addition) | 1 | 01,02 |
| 09 | D9004 | | ----- | MA2SD31-X | SB DIODE | (Addition) | 1 | 01,02 |
| 09 | D9501 | | ----- | MA22D39-X | SB DIODE | (Addition) | 1 | 01,02 |
| 09 | D9812 | | ----- | MA8033-X | Z DIODE | (Addition) | 1 | 01,02 |
| 09 | C8301 | | ----- | NBE20JM-476X | TA E CAPACITOR | (Addition) | 1 | 01,02 |
| 09 | C8302 | | ----- | NCB31CK-104X | C CAPACITOR | (Addition) | 1 | 01,02 |
| 09 | C8303 | | ----- | NBE20JM-476X | TA E CAPACITOR | (Addition) | 1 | 01,02 |
| 09 | C8304 | | ----- | NCB31CK-104X | C CAPACITOR | (Addition) | 1 | 01,02 |
| 09 | C8305 | | ----- | NDC31HJ-150X-G | C CAPACITOR | (Addition) | 1 | 01,02 |
| 09 | C8306 | | ----- | NCB31HK-103X | C CAPACITOR | (Addition) | 1 | 01,02 |
| 09 | C8501 | | ----- | NCB31HK-103X | C CAPACITOR | (Addition) | 1 | 01,02 |
| 09 | C8504 | | ----- | NCB31HK-103X | C CAPACITOR | (Addition) | 1 | 01,02 |
| 09 | C8505 | | ----- | NCJ11EK-106X-R | C CAPACITOR | (Addition) | 1 | 01,02 |
| 09 | C8601 | | ----- | NDC31HJ-101X | C CAPACITOR | (Addition) | 1 | 01,02 |
| 09 | C8602 | | ----- | NDC31HJ-101X | C CAPACITOR | (Addition) | 1 | 01,02 |
| 09 | C8603 | | ----- | NDC31HJ-101X | C CAPACITOR | (Addition) | 1 | 01,02 |
| 09 | C8604 | | ----- | NCB31HK-102X | C CAPACITOR | (Addition) | 1 | 01,02 |
| 09 | C9031 | | ----- | NCB31CK-104X | C CAPACITOR | (Addition) | 1 | 01,02 |
| 09 | C9061 | | ----- | NCB31CK-104X | C CAPACITOR | (Addition) | 1 | 01,02 |
| 09 | C9062 | | ----- | NDC31HJ-8R0X | C CAPACITOR | (Addition) | 1 | 01,02 |
| 09 | C9063 | | ----- | NDC31HJ-8R0X | C CAPACITOR | (Addition) | 1 | 01,02 |
| 09 | C9064 | | ----- | NCB31CK-474X | C CAPACITOR | (Addition) | 1 | 01,02 |
| 09 | C9065 | | ----- | NCB31CK-104X | C CAPACITOR | (Addition) | 1 | 01,02 |
| 09 | C9071 | | ----- | NCB31CK-104X | C CAPACITOR | (Addition) | 1 | 01,02 |
| 09 | C9072 | | ----- | NBE40JM-476X | TA E CAPACITOR | (Addition) | 1 | 01,02 |
| 09 | C9092 | | ----- | NCB31HK-103X | C CAPACITOR | (Addition) | 1 | 01,02 |
| 09 | C9101 | | ----- | NCB31AK-105X | C CAPACITOR | (Addition) | 1 | 01,02 |
| 09 | C9111 | | ----- | NCB31AK-105X | C CAPACITOR | (Addition) | 1 | 01,02 |
| 09 | C9131 | | ----- | NCB31HK-103X | C CAPACITOR | (Addition) | 1 | 01,02 |
| 09 | C9132 | | ----- | NCB31HK-103X | C CAPACITOR | (Addition) | 1 | 01,02 |
| 09 | C9133 | | ----- | NCB31HK-103X | C CAPACITOR | (Addition) | 1 | 01,02 |
| 09 | C9134 | | ----- | NCB31HK-103X | C CAPACITOR | (Addition) | 1 | 01,02 |
| 09 | C9201 | | ----- | NCB31CK-104X | C CAPACITOR | (Addition) | 1 | 01,02 |
| 09 | C9202 | | ----- | NCB31CK-104X | C CAPACITOR | (Addition) | 1 | 01,02 |
| 09 | C9231 | | ----- | NCB31CK-104X | C CAPACITOR | (Addition) | 1 | 01,02 |
| 09 | C9232 | | ----- | NCB31CK-104X | C CAPACITOR | (Addition) | 1 | 01,02 |
| 09 | C9233 | | ----- | NCB31CK-104X | C CAPACITOR | (Addition) | 1 | 01,02 |
| 09 | C9234 | | ----- | NCB31CK-104X | C CAPACITOR | (Addition) | 1 | 01,02 |
| 09 | C9261 | | ----- | NCB31CK-104X | C CAPACITOR | (Addition) | 1 | 01,02 |
| 09 | C9262 | | ----- | NCB31CK-104X | C CAPACITOR | (Addition) | 1 | 01,02 |
| 09 | C9291 | | ----- | NCB31CK-104X | C CAPACITOR | (Addition) | 1 | 01,02 |
| 09 | C9292 | | ----- | NCB31CK-104X | C CAPACITOR | (Addition) | 1 | 01,02 |
| 09 | C9301 | | ----- | NBE41AM-226X | TA E CAPACITOR | (Addition) | 1 | 01,02 |
| 09 | C9401 | | ----- | NBE41DM-106X | TA E CAPACITOR | (Addition) | 1 | 01,02 |
| 09 | C9402 | | ----- | NCJ11EK-106X-R | C CAPACITOR | (Addition) | 1 | 01,02 |
| 09 | C9403 | | ----- | NCB31CK-104X | C CAPACITOR | (Addition) | 1 | 01,02 |
| 09 | C9404 | | ----- | NCB31CK-104X | C CAPACITOR | (Addition) | 1 | 01,02 |
| 09 | C9405 | | ----- | NCB31EK-104X | C CAPACITOR | (Addition) | 1 | 01,02 |
| 09 | C9406 | | ----- | NCJ11EK-106X-R | C CAPACITOR | (Addition) | 1 | 01,02 |

| △ | Symbol | or | Part No. | | Part Name | Description | Qty | Models |
|----|--------|----|-----------|----------------|----------------|-------------|-----|--------|
| | | | <Rev.001> | <Rev.002> | | | | |
| 09 | C9407 | | ----- | NCB31EK-104X | C CAPACITOR | (Addition) | 1 | 01,02 |
| 09 | C9408 | | ----- | NCJ11EK-106X-R | C CAPACITOR | (Addition) | 1 | 01,02 |
| 09 | C9409 | | ----- | NCB31AK-474X | C CAPACITOR | (Addition) | 1 | 01,02 |
| 09 | C9410 | | ----- | NCB31HK-104X | C CAPACITOR | (Addition) | 1 | 01,02 |
| 09 | C9411 | | ----- | NCB31CK-104X | C CAPACITOR | (Addition) | 1 | 01,02 |
| 09 | C9451 | | ----- | NCB31CK-104X | C CAPACITOR | (Addition) | 1 | 01,02 |
| 09 | C9481 | | ----- | NCB31CK-104X | C CAPACITOR | (Addition) | 1 | 01,02 |
| 09 | C9482 | | ----- | NCB31HK-104X | C CAPACITOR | (Addition) | 1 | 01,02 |
| 09 | C9483 | | ----- | NCB31CK-104X | C CAPACITOR | (Addition) | 1 | 01,02 |
| 09 | C9484 | | ----- | NCB31CK-104X | C CAPACITOR | (Addition) | 1 | 01,02 |
| 09 | C9501 | | ----- | NBE41DM-106X | TA E CAPACITOR | (Addition) | 1 | 01,02 |
| 09 | C9502 | | ----- | NCJ11EK-106X-R | C CAPACITOR | (Addition) | 1 | 01,02 |
| 09 | C9503 | | ----- | NCJ11EK-106X-R | C CAPACITOR | (Addition) | 1 | 01,02 |
| 09 | C9504 | | ----- | NCB31CK-105X | C CAPACITOR | (Addition) | 1 | 01,02 |
| 09 | C9505 | | ----- | NCB31EK-223X | C CAPACITOR | (Addition) | 1 | 01,02 |
| 09 | C9507 | | ----- | NCB31CK-474X | C CAPACITOR | (Addition) | 1 | 01,02 |
| 09 | C9508 | | ----- | NEAG1CM-476X | E CAPACITOR | (Addition) | 1 | 01,02 |
| 09 | C9509 | | ----- | NEAG1CM-476X | E CAPACITOR | (Addition) | 1 | 01,02 |
| 09 | C9510 | | ----- | NEAF1CM-107X | E CAPACITOR | (Addition) | 1 | 01,02 |
| 09 | C9511 | | ----- | NEAG1CM-476X | E CAPACITOR | (Addition) | 1 | 01,02 |
| 09 | C9512 | | ----- | NCB31CK-104X | C CAPACITOR | (Addition) | 1 | 01,02 |
| 09 | C9513 | | ----- | NCJ11EK-106X-R | C CAPACITOR | (Addition) | 1 | 01,02 |
| 09 | C9514 | | ----- | NCJ11EK-106X-R | C CAPACITOR | (Addition) | 1 | 01,02 |
| 09 | C9515 | | ----- | NCJ11EK-106X-R | C CAPACITOR | (Addition) | 1 | 01,02 |
| 09 | C9516 | | ----- | NCJ11EK-106X-R | C CAPACITOR | (Addition) | 1 | 01,02 |
| 09 | C9702 | | ----- | NCB31CK-104X | C CAPACITOR | (Addition) | 1 | 01,02 |
| 09 | C9703 | | ----- | NCJ21CK-106X-R | C CAPACITOR | (Addition) | 1 | 01,02 |
| 09 | C9704 | | ----- | NCJ21CK-106X-R | C CAPACITOR | (Addition) | 1 | 01,02 |
| 09 | C9705 | | ----- | NCB31HK-103X | C CAPACITOR | (Addition) | 1 | 01,02 |
| 09 | C9731 | | ----- | NCB31CK-104X | C CAPACITOR | (Addition) | 1 | 01,02 |
| 09 | C9733 | | ----- | NBE41AM-476X | TA E CAPACITOR | (Addition) | 1 | 01,02 |
| 09 | C9736 | | ----- | NCB31CK-105X | C CAPACITOR | (Addition) | 1 | 01,02 |
| 09 | C9737 | | ----- | NCB31CK-105X | C CAPACITOR | (Addition) | 1 | 01,02 |
| 09 | C9742 | | ----- | NCB31CK-105X | C CAPACITOR | (Addition) | 1 | 01,02 |
| 09 | C9743 | | ----- | NCB31CK-105X | C CAPACITOR | (Addition) | 1 | 01,02 |
| 09 | C9744 | | ----- | NDC31HJ-101X | C CAPACITOR | (Addition) | 1 | 01,02 |
| 09 | C9745 | | ----- | NDC31HJ-101X | C CAPACITOR | (Addition) | 1 | 01,02 |
| 09 | C9746 | | ----- | NDC31HJ-101X | C CAPACITOR | (Addition) | 1 | 01,02 |
| 09 | C9747 | | ----- | NDC31HJ-101X | C CAPACITOR | (Addition) | 1 | 01,02 |
| 09 | C9752 | | ----- | NCB31CK-104X | C CAPACITOR | (Addition) | 1 | 01,02 |
| 09 | C9801 | | ----- | NEAF0JM-107X | E CAPACITOR | (Addition) | 1 | 01,02 |
| 09 | C9802 | | ----- | NCB31CK-104X | C CAPACITOR | (Addition) | 1 | 01,02 |
| 09 | C9811 | | ----- | NCB31CK-105X | C CAPACITOR | (Addition) | 1 | 01,02 |
| 09 | C9812 | | ----- | NCB31CK-105X | C CAPACITOR | (Addition) | 1 | 01,02 |
| 09 | C9813 | | ----- | NCB31CK-105X | C CAPACITOR | (Addition) | 1 | 01,02 |
| 09 | C9814 | | ----- | NCB31CK-105X | C CAPACITOR | (Addition) | 1 | 01,02 |
| 09 | C9815 | | ----- | NCB31HK-103X | C CAPACITOR | (Addition) | 1 | 01,02 |
| 09 | C9831 | | ----- | NCB31CK-104X | C CAPACITOR | (Addition) | 1 | 01,02 |
| 09 | C9833 | | ----- | NBE41AM-226X | TA E CAPACITOR | (Addition) | 1 | 01,02 |
| 09 | C9834 | | ----- | NCB31CK-105X | C CAPACITOR | (Addition) | 1 | 01,02 |
| 09 | C9836 | | ----- | NCB31CK-105X | C CAPACITOR | (Addition) | 1 | 01,02 |
| 09 | C9838 | | ----- | NDC31HJ-101X | C CAPACITOR | (Addition) | 1 | 01,02 |
| 09 | C9840 | | ----- | NDC31HJ-331X | C CAPACITOR | (Addition) | 1 | 01,02 |
| 09 | C9842 | | ----- | NDC31HJ-101X | C CAPACITOR | (Addition) | 1 | 01,02 |
| 09 | C9851 | | ----- | NBE51CM-476X | TA E CAPACITOR | (Addition) | 1 | 01,02 |
| 09 | C9852 | | ----- | NCB31CK-104X | C CAPACITOR | (Addition) | 1 | 01,02 |
| 09 | C9853 | | ----- | NCB31HK-103X | C CAPACITOR | (Addition) | 1 | 01,02 |
| 09 | C9854 | | ----- | NDC31HJ-101X | C CAPACITOR | (Addition) | 1 | 01,02 |
| 09 | C9855 | | ----- | NCB31HK-102X | C CAPACITOR | (Addition) | 1 | 01,02 |
| 09 | C9856 | | ----- | NCB31HK-102X | C CAPACITOR | (Addition) | 1 | 01,02 |
| 09 | C9857 | | ----- | NBE41AM-106X | TA E CAPACITOR | (Addition) | 1 | 01,02 |
| 09 | C9861 | | ----- | NCB31CK-105X | C CAPACITOR | (Addition) | 1 | 01,02 |
| 09 | C9862 | | ----- | NCB31CK-105X | C CAPACITOR | (Addition) | 1 | 01,02 |
| 09 | C9863 | | ----- | NCB31CK-105X | C CAPACITOR | (Addition) | 1 | 01,02 |
| 09 | C9871 | | ----- | NBE41CM-226X | TA E CAPACITOR | (Addition) | 1 | 01,02 |
| 09 | C9872 | | ----- | NCB31CK-105X | C CAPACITOR | (Addition) | 1 | 01,02 |
| 09 | C9873 | | ----- | NCJ21CK-106X-R | C CAPACITOR | (Addition) | 1 | 01,02 |
| 09 | C9874 | | ----- | NCJ21CK-106X-R | C CAPACITOR | (Addition) | 1 | 01,02 |

| △ | Symbol | or | Part No. | | Part Name | Description | Qty | Models |
|----|--------|----|-----------|----------------|----------------|-------------|-----|--------|
| | | | <Rev.001> | <Rev.002> | | | | |
| 09 | C9911 | | ----- | NBE51CM-476X | TA E CAPACITOR | (Addition) | 1 | 01,02 |
| 09 | C9912 | | ----- | NCB31CK-104X | C CAPACITOR | (Addition) | 1 | 01,02 |
| 09 | C9913 | | ----- | NBE41CM-226X | TA E CAPACITOR | (Addition) | 1 | 01,02 |
| 09 | C9914 | | ----- | NCB31HK-103X | C CAPACITOR | (Addition) | 1 | 01,02 |
| 09 | C9921 | | ----- | NCB31CK-104X | C CAPACITOR | (Addition) | 1 | 01,02 |
| 09 | C9922 | | ----- | NBE41AM-226X | TA E CAPACITOR | (Addition) | 1 | 01,02 |
| 09 | C9923 | | ----- | NCB31CK-104X | C CAPACITOR | (Addition) | 1 | 01,02 |
| 09 | C9924 | | ----- | NCB31HK-103X | C CAPACITOR | (Addition) | 1 | 01,02 |
| 09 | C9931 | | ----- | NCB31CK-104X | C CAPACITOR | (Addition) | 1 | 01,02 |
| 09 | C9932 | | ----- | NBE41DM-106X | TA E CAPACITOR | (Addition) | 1 | 01,02 |
| 09 | C9933 | | ----- | NCJ11EK-106X-R | C CAPACITOR | (Addition) | 1 | 01,02 |
| 09 | C9934 | | ----- | NCJ11EK-106X-R | C CAPACITOR | (Addition) | 1 | 01,02 |
| 09 | R8301 | | ----- | NRSA63J-101X | MG RESISTOR | (Addition) | 1 | 01,02 |
| 09 | R8302 | | ----- | NRSA63J-101X | MG RESISTOR | (Addition) | 1 | 01,02 |
| 09 | R8303 | | ----- | NRSA63J-222X | MG RESISTOR | (Addition) | 1 | 01,02 |
| 09 | R8304 | | ----- | NRSA63J-222X | MG RESISTOR | (Addition) | 1 | 01,02 |
| 09 | R8305 | | ----- | NRSA63J-222X | MG RESISTOR | (Addition) | 1 | 01,02 |
| 09 | R8306 | | ----- | NRSA63J-222X | MG RESISTOR | (Addition) | 1 | 01,02 |
| 09 | R8601 | | ----- | NRSA63J-104X | MG RESISTOR | (Addition) | 1 | 01,02 |
| 09 | R8602 | | ----- | NRSA63J-104X | MG RESISTOR | (Addition) | 1 | 01,02 |
| 09 | R8603 | | ----- | NRSA63J-104X | MG RESISTOR | (Addition) | 1 | 01,02 |
| 09 | R9001 | | ----- | NRSA63J-101X | MG RESISTOR | (Addition) | 1 | 01,02 |
| 09 | R9002 | | ----- | NRSA63J-101X | MG RESISTOR | (Addition) | 1 | 01,02 |
| 09 | R9003 | | ----- | NRSA63J-102X | MG RESISTOR | (Addition) | 1 | 01,02 |
| 09 | R9004 | | ----- | NRSA63J-102X | MG RESISTOR | (Addition) | 1 | 01,02 |
| 09 | R9005 | | ----- | NRSA63J-102X | MG RESISTOR | (Addition) | 1 | 01,02 |
| 09 | R9006 | | ----- | NRSA63J-102X | MG RESISTOR | (Addition) | 1 | 01,02 |
| 09 | R9007 | | ----- | NRSA63J-102X | MG RESISTOR | (Addition) | 1 | 01,02 |
| 09 | R9008 | | ----- | NRSA63J-102X | MG RESISTOR | (Addition) | 1 | 01,02 |
| 09 | R9009 | | ----- | NRSA63J-102X | MG RESISTOR | (Addition) | 1 | 01,02 |
| 09 | R9010 | | ----- | NRSA63J-102X | MG RESISTOR | (Addition) | 1 | 01,02 |
| 09 | R9011 | | ----- | NRSA63J-102X | MG RESISTOR | (Addition) | 1 | 01,02 |
| 09 | R9012 | | ----- | NRSA63J-0R0X | MG RESISTOR | (Addition) | 1 | 01,02 |
| 09 | R9013 | | ----- | NRSA63J-472X | MG RESISTOR | (Addition) | 1 | 01,02 |
| 09 | R9014 | | ----- | NRSA63J-472X | MG RESISTOR | (Addition) | 1 | 01,02 |
| 09 | R9015 | | ----- | NRSA63J-103X | MG RESISTOR | (Addition) | 1 | 01,02 |
| 09 | R9021 | | ----- | NRSA63J-0R0X | MG RESISTOR | (Addition) | 1 | 01,02 |
| 09 | R9022 | | ----- | NRSA63J-102X | MG RESISTOR | (Addition) | 1 | 01,02 |
| 09 | R9023 | | ----- | NRSA63J-102X | MG RESISTOR | (Addition) | 1 | 01,02 |
| 09 | R9024 | | ----- | NRSA63J-102X | MG RESISTOR | (Addition) | 1 | 01,02 |
| 09 | R9025 | | ----- | NRSA63J-102X | MG RESISTOR | (Addition) | 1 | 01,02 |
| 09 | R9026 | | ----- | NRSA63J-561X | MG RESISTOR | (Addition) | 1 | 01,02 |
| 09 | R9027 | | ----- | NRSA63J-561X | MG RESISTOR | (Addition) | 1 | 01,02 |
| 09 | R9028 | | ----- | NRSA63J-101X | MG RESISTOR | (Addition) | 1 | 01,02 |
| 09 | R9029 | | ----- | NRSA63J-102X | MG RESISTOR | (Addition) | 1 | 01,02 |
| 09 | R9030 | | ----- | NRSA63J-102X | MG RESISTOR | (Addition) | 1 | 01,02 |
| 09 | R9033 | | ----- | NRSA63J-103X | MG RESISTOR | (Addition) | 1 | 01,02 |
| 09 | R9041 | | ----- | NRSA63J-102X | MG RESISTOR | (Addition) | 1 | 01,02 |
| 09 | R9042 | | ----- | NRSA63J-102X | MG RESISTOR | (Addition) | 1 | 01,02 |
| 09 | R9043 | | ----- | NRSA63J-102X | MG RESISTOR | (Addition) | 1 | 01,02 |
| 09 | R9044 | | ----- | NRSA63J-102X | MG RESISTOR | (Addition) | 1 | 01,02 |
| 09 | R9045 | | ----- | NRSA63J-102X | MG RESISTOR | (Addition) | 1 | 01,02 |
| 09 | R9049 | | ----- | NRSA63J-102X | MG RESISTOR | (Addition) | 1 | 01,02 |
| 09 | R9050 | | ----- | NRSA63J-102X | MG RESISTOR | (Addition) | 1 | 01,02 |
| 09 | R9051 | | ----- | NRSA63J-102X | MG RESISTOR | (Addition) | 1 | 01,02 |
| 09 | R9052 | | ----- | NRSA63J-102X | MG RESISTOR | (Addition) | 1 | 01,02 |
| 09 | R9053 | | ----- | NRSA63J-822X | MG RESISTOR | (Addition) | 1 | 01,02 |
| 09 | R9062 | | ----- | NRSA63J-103X | MG RESISTOR | (Addition) | 1 | 01,02 |
| 09 | R9063 | | ----- | NRSA63J-103X | MG RESISTOR | (Addition) | 1 | 01,02 |
| 09 | R9064 | | ----- | NRSA63J-222X | MG RESISTOR | (Addition) | 1 | 01,02 |
| 09 | R9065 | | ----- | NRSA63J-102X | MG RESISTOR | (Addition) | 1 | 01,02 |
| 09 | R9066 | | ----- | NRSA63J-472X | MG RESISTOR | (Addition) | 1 | 01,02 |
| 09 | R9067 | | ----- | NRSA63J-473X | MG RESISTOR | (Addition) | 1 | 01,02 |
| 09 | R9068 | | ----- | NRSA63J-102X | MG RESISTOR | (Addition) | 1 | 01,02 |
| 09 | R9081 | | ----- | NRSA63J-0R0X | MG RESISTOR | (Addition) | 1 | 01,02 |
| 09 | R9082 | | ----- | NRSA63J-0R0X | MG RESISTOR | (Addition) | 1 | 01,02 |
| 09 | R9091 | | ----- | NRSA02J-101X | MG RESISTOR | (Addition) | 1 | 01,02 |
| 09 | R9101 | | ----- | NRSA63J-332X | MG RESISTOR | (Addition) | 1 | 01,02 |

| △ | Symbol | or | Part No. | | Part Name | Description | Qty | Models |
|----|--------|----|-----------|--------------|-------------|-------------|-----|--------|
| | | | <Rev.001> | <Rev.002> | | | | |
| 09 | R9292 | | ----- | NRSA63J-103X | MG RESISTOR | (Addition) | 1 | 01,02 |
| 09 | R9298 | | ----- | NRSA63J-103X | MG RESISTOR | (Addition) | 1 | 01,02 |
| 09 | R9299 | | ----- | NRSA63J-103X | MG RESISTOR | (Addition) | 1 | 01,02 |
| 09 | R9300 | | ----- | NRSA63J-103X | MG RESISTOR | (Addition) | 1 | 01,02 |
| 09 | R9301 | | ----- | NRSA63J-103X | MG RESISTOR | (Addition) | 1 | 01,02 |
| 09 | R9302 | | ----- | NRSA63J-103X | MG RESISTOR | (Addition) | 1 | 01,02 |
| 09 | R9306 | | ----- | NRSA63J-101X | MG RESISTOR | (Addition) | 1 | 01,02 |
| 09 | R9307 | | ----- | NRSA63J-103X | MG RESISTOR | (Addition) | 1 | 01,02 |
| 09 | R9308 | | ----- | NRSA63J-103X | MG RESISTOR | (Addition) | 1 | 01,02 |
| 09 | R9309 | | ----- | NRSA63J-101X | MG RESISTOR | (Addition) | 1 | 01,02 |
| 09 | R9310 | | ----- | NRSA63J-101X | MG RESISTOR | (Addition) | 1 | 01,02 |
| 09 | R9311 | | ----- | NRSA63J-101X | MG RESISTOR | (Addition) | 1 | 01,02 |
| 09 | R9316 | | ----- | NRSA63J-101X | MG RESISTOR | (Addition) | 1 | 01,02 |
| 09 | R9322 | | ----- | NRSA63J-0R0X | MG RESISTOR | (Addition) | 1 | 01,02 |
| 09 | R9401 | | ----- | NRSA63D-103X | MG RESISTOR | (Addition) | 1 | 01,02 |
| 09 | R9402 | | ----- | NRSA63D-103X | MG RESISTOR | (Addition) | 1 | 01,02 |
| 09 | R9403 | | ----- | NRSA63D-223X | MG RESISTOR | (Addition) | 1 | 01,02 |
| 09 | R9404 | | ----- | NRSA63J-390X | MG RESISTOR | (Addition) | 1 | 01,02 |
| 09 | R9405 | | ----- | NRSA63J-104X | MG RESISTOR | (Addition) | 1 | 01,02 |
| 09 | R9406 | | ----- | NRSA63D-183X | MG RESISTOR | (Addition) | 1 | 01,02 |
| 09 | R9407 | | ----- | NRSA63J-474X | MG RESISTOR | (Addition) | 1 | 01,02 |
| 09 | R9408 | | ----- | NRSA63J-474X | MG RESISTOR | (Addition) | 1 | 01,02 |
| 09 | R9409 | | ----- | NRSA63J-101X | MG RESISTOR | (Addition) | 1 | 01,02 |
| 09 | R9410 | | ----- | NRSA63J-103X | MG RESISTOR | (Addition) | 1 | 01,02 |
| 09 | R9411 | | ----- | NRSA63J-103X | MG RESISTOR | (Addition) | 1 | 01,02 |
| 09 | R9412 | | ----- | NRSA63J-390X | MG RESISTOR | (Addition) | 1 | 01,02 |
| 09 | R9413 | | ----- | NRSA63J-2R2X | MG RESISTOR | (Addition) | 1 | 01,02 |
| 09 | R9414 | | ----- | NRSA63J-2R2X | MG RESISTOR | (Addition) | 1 | 01,02 |
| 09 | R9415 | | ----- | NRSA63J-390X | MG RESISTOR | (Addition) | 1 | 01,02 |
| 09 | R9416 | | ----- | NRSA63D-473X | MG RESISTOR | (Addition) | 1 | 01,02 |
| 09 | R9417 | | ----- | NRSA63D-243X | MG RESISTOR | (Addition) | 1 | 01,02 |
| 09 | R9418 | | ----- | NRSA63J-103X | MG RESISTOR | (Addition) | 1 | 01,02 |
| 09 | R9452 | | ----- | NRSA63J-0R0X | MG RESISTOR | (Addition) | 1 | 01,02 |
| 09 | R9453 | | ----- | NRSA63J-0R0X | MG RESISTOR | (Addition) | 1 | 01,02 |
| 09 | R9461 | | ----- | NRSA63D-240X | MG RESISTOR | (Addition) | 1 | 01,02 |
| 09 | R9462 | | ----- | NRSA63D-221X | MG RESISTOR | (Addition) | 1 | 01,02 |
| 09 | R9463 | | ----- | NRSA63D-820X | MG RESISTOR | (Addition) | 1 | 01,02 |
| 09 | R9464 | | ----- | NRSA63D-470X | MG RESISTOR | (Addition) | 1 | 01,02 |
| 09 | R9465 | | ----- | NRSA63D-390X | MG RESISTOR | (Addition) | 1 | 01,02 |
| 09 | R9466 | | ----- | NRSA63D-430X | MG RESISTOR | (Addition) | 1 | 01,02 |
| 09 | R9467 | | ----- | NRSA63D-470X | MG RESISTOR | (Addition) | 1 | 01,02 |
| 09 | R9468 | | ----- | NRSA63D-680X | MG RESISTOR | (Addition) | 1 | 01,02 |
| 09 | R9469 | | ----- | NRSA63D-161X | MG RESISTOR | (Addition) | 1 | 01,02 |
| 09 | R9470 | | ----- | NRSA63D-201X | MG RESISTOR | (Addition) | 1 | 01,02 |
| 09 | R9471 | | ----- | NRSA63D-100X | MG RESISTOR | (Addition) | 1 | 01,02 |
| 09 | R9472 | | ----- | NRSA63D-100X | MG RESISTOR | (Addition) | 1 | 01,02 |
| 09 | R9501 | | ----- | NRSA63J-205X | MG RESISTOR | (Addition) | 1 | 01,02 |
| 09 | R9502 | | ----- | NRSA63J-134X | MG RESISTOR | (Addition) | 1 | 01,02 |
| 09 | R9503 | | ----- | NRSA63J-2R0X | MG RESISTOR | (Addition) | 1 | 01,02 |
| 09 | R9504 | | ----- | NRSA63J-2R0X | MG RESISTOR | (Addition) | 1 | 01,02 |
| 09 | R9505 | | ----- | NRSA63D-392X | MG RESISTOR | (Addition) | 1 | 01,02 |
| 09 | R9506 | | ----- | NRSA63D-393X | MG RESISTOR | (Addition) | 1 | 01,02 |
| 09 | R9507 | | ----- | NRSA63J-0R0X | MG RESISTOR | (Addition) | 1 | 01,02 |
| 09 | R9511 | | ----- | NRSA63J-222X | MG RESISTOR | (Addition) | 1 | 01,02 |
| 09 | R9512 | | ----- | NRSA63J-222X | MG RESISTOR | (Addition) | 1 | 01,02 |
| 09 | R9513 | | ----- | NRSA63J-102X | MG RESISTOR | (Addition) | 1 | 01,02 |
| 09 | R9514 | | ----- | NRSA63J-1R0X | MG RESISTOR | (Addition) | 1 | 01,02 |
| 09 | R9515 | | ----- | NRSA63J-1R0X | MG RESISTOR | (Addition) | 1 | 01,02 |
| 09 | R9516 | | ----- | NRSA63J-102X | MG RESISTOR | (Addition) | 1 | 01,02 |
| 09 | R9601 | | ----- | NRSA02J-682X | MG RESISTOR | (Addition) | 1 | 01,02 |
| 09 | R9602 | | ----- | NRSA02J-222X | MG RESISTOR | (Addition) | 1 | 01,02 |
| 09 | R9603 | | ----- | NRSA02J-332X | MG RESISTOR | (Addition) | 1 | 01,02 |
| 09 | R9701 | | ----- | NRSA63J-101X | MG RESISTOR | (Addition) | 1 | 01,02 |
| 09 | R9702 | | ----- | NRSA63J-101X | MG RESISTOR | (Addition) | 1 | 01,02 |
| 09 | R9703 | | ----- | NRSA63J-101X | MG RESISTOR | (Addition) | 1 | 01,02 |
| 09 | R9704 | | ----- | NRSA63J-224X | MG RESISTOR | (Addition) | 1 | 01,02 |
| 09 | R9706 | | ----- | NRSA63J-224X | MG RESISTOR | (Addition) | 1 | 01,02 |
| 09 | R9710 | | ----- | NRSA63J-224X | MG RESISTOR | (Addition) | 1 | 01,02 |

| △ | Symbol | or | Part No. | | Part Name | Description | Qty | Models |
|----|--------|----|-----------|---------------|-------------|-------------|-----|--------|
| | | | <Rev.001> | <Rev.002> | | | | |
| 09 | R9712 | | ----- | NRSA63J-103X | MG RESISTOR | (Addition) | 1 | 01,02 |
| 09 | R9713 | | ----- | NRSA63J-103X | MG RESISTOR | (Addition) | 1 | 01,02 |
| 09 | R9714 | | ----- | NRSA63J-222X | MG RESISTOR | (Addition) | 1 | 01,02 |
| 09 | R9715 | | ----- | NRSA63J-103X | MG RESISTOR | (Addition) | 1 | 01,02 |
| 09 | R9716 | | ----- | NRSA63J-750X | MG RESISTOR | (Addition) | 1 | 01,02 |
| 09 | R9717 | | ----- | NRSA63J-222X | MG RESISTOR | (Addition) | 1 | 01,02 |
| 09 | R9718 | | ----- | NRSA63J-222X | MG RESISTOR | (Addition) | 1 | 01,02 |
| 09 | R9719 | | ----- | NRSA63J-103X | MG RESISTOR | (Addition) | 1 | 01,02 |
| 09 | R9720 | | ----- | NRSA63J-750X | MG RESISTOR | (Addition) | 1 | 01,02 |
| 09 | R9721 | | ----- | NRSA63J-222X | MG RESISTOR | (Addition) | 1 | 01,02 |
| 09 | R9723 | | ----- | NRSA63J-0R0X | MG RESISTOR | (Addition) | 1 | 01,02 |
| 09 | R9731 | | ----- | NRSA63J-103X | MG RESISTOR | (Addition) | 1 | 01,02 |
| 09 | R9732 | | ----- | NRSA63J-103X | MG RESISTOR | (Addition) | 1 | 01,02 |
| 09 | R9733 | | ----- | NRSA63J-223X | MG RESISTOR | (Addition) | 1 | 01,02 |
| 09 | R9734 | | ----- | NRSA63J-223X | MG RESISTOR | (Addition) | 1 | 01,02 |
| 09 | R9735 | | ----- | NRSA63J-303X | MG RESISTOR | (Addition) | 1 | 01,02 |
| 09 | R9736 | | ----- | NRSA63J-303X | MG RESISTOR | (Addition) | 1 | 01,02 |
| 09 | R9737 | | ----- | NRSA63J-104X | MG RESISTOR | (Addition) | 1 | 01,02 |
| 09 | R9743 | | ----- | NRSA63J-303X | MG RESISTOR | (Addition) | 1 | 01,02 |
| 09 | R9744 | | ----- | NRSA63J-303X | MG RESISTOR | (Addition) | 1 | 01,02 |
| 09 | R9745 | | ----- | NRSA63J-223X | MG RESISTOR | (Addition) | 1 | 01,02 |
| 09 | R9746 | | ----- | NRSA63J-223X | MG RESISTOR | (Addition) | 1 | 01,02 |
| 09 | R9753 | | ----- | NRSA63J-103X | MG RESISTOR | (Addition) | 1 | 01,02 |
| 09 | R9754 | | ----- | NRSA63J-103X | MG RESISTOR | (Addition) | 1 | 01,02 |
| 09 | R9811 | | ----- | NRSA63J-331X | MG RESISTOR | (Addition) | 1 | 01,02 |
| 09 | R9812 | | ----- | NRSA63J-331X | MG RESISTOR | (Addition) | 1 | 01,02 |
| 09 | R9813 | | ----- | NRSA63J-331X | MG RESISTOR | (Addition) | 1 | 01,02 |
| 09 | R9814 | | ----- | NRSA63J-331X | MG RESISTOR | (Addition) | 1 | 01,02 |
| 09 | R9818 | | ----- | NRSA63J-0R0X | MG RESISTOR | (Addition) | 1 | 01,02 |
| 09 | R9819 | | ----- | NRSA63J-0R0X | MG RESISTOR | (Addition) | 1 | 01,02 |
| 09 | R9820 | | ----- | NRSA63J-0R0X | MG RESISTOR | (Addition) | 1 | 01,02 |
| 09 | R9831 | | ----- | NRSA63J-104X | MG RESISTOR | (Addition) | 1 | 01,02 |
| 09 | R9832 | | ----- | NRSA63J-104X | MG RESISTOR | (Addition) | 1 | 01,02 |
| 09 | R9833 | | ----- | NRSA63J-243X | MG RESISTOR | (Addition) | 1 | 01,02 |
| 09 | R9835 | | ----- | NRSA63J-243X | MG RESISTOR | (Addition) | 1 | 01,02 |
| 09 | R9837 | | ----- | NRSA63J-223X | MG RESISTOR | (Addition) | 1 | 01,02 |
| 09 | R9839 | | ----- | NRSA63J-223X | MG RESISTOR | (Addition) | 1 | 01,02 |
| 09 | R9852 | | ----- | NRSA63J-684X | MG RESISTOR | (Addition) | 1 | 01,02 |
| 09 | R9853 | | ----- | NRSA63J-302X | MG RESISTOR | (Addition) | 1 | 01,02 |
| 09 | R9854 | | ----- | NRSA63J-103X | MG RESISTOR | (Addition) | 1 | 01,02 |
| 09 | R9855 | | ----- | NRSA63J-333X | MG RESISTOR | (Addition) | 1 | 01,02 |
| 09 | R9856 | | ----- | NRSA63J-302X | MG RESISTOR | (Addition) | 1 | 01,02 |
| 09 | R9857 | | ----- | NRSA63J-103X | MG RESISTOR | (Addition) | 1 | 01,02 |
| 09 | R9859 | | ----- | NRSA63J-103X | MG RESISTOR | (Addition) | 1 | 01,02 |
| 09 | R9861 | | ----- | NRSA63J-224X | MG RESISTOR | (Addition) | 1 | 01,02 |
| 09 | R9862 | | ----- | NRSA63J-224X | MG RESISTOR | (Addition) | 1 | 01,02 |
| 09 | R9863 | | ----- | NRSA63J-101X | MG RESISTOR | (Addition) | 1 | 01,02 |
| 09 | R9864 | | ----- | NRSA63J-101X | MG RESISTOR | (Addition) | 1 | 01,02 |
| 09 | R9871 | | ----- | NRSA63J-0R0X | MG RESISTOR | (Addition) | 1 | 01,02 |
| 09 | R9874 | | ----- | NRSA63J-101X | MG RESISTOR | (Addition) | 1 | 01,02 |
| 09 | R9875 | | ----- | NRSA63J-101X | MG RESISTOR | (Addition) | 1 | 01,02 |
| 09 | R9876 | | ----- | NRSA02J-0R0X | MG RESISTOR | (Addition) | 1 | 01,02 |
| 09 | R9931 | | ----- | NRSA63D-133X | MG RESISTOR | (Addition) | 1 | 01,02 |
| 09 | R9932 | | ----- | NRSA63D-222X | MG RESISTOR | (Addition) | 1 | 01,02 |
| 09 | L8501 | | ----- | NQR0536-001X | CHOKE COIL | (Addition) | 1 | 01,02 |
| 09 | L9001 | | ----- | NQL79GM-100X | COIL | (Addition) | 1 | 01,02 |
| 09 | L9201 | | ----- | NQL79GM-100X | COIL | (Addition) | 1 | 01,02 |
| 09 | L9401 | | ----- | NQL79GM-100X | COIL | (Addition) | 1 | 01,02 |
| 09 | L9402 | | ----- | NQL79GM-100X | COIL | (Addition) | 1 | 01,02 |
| 09 | L9501 | | ----- | NQLZ007-101X | CHOKE COIL | (Addition) | 1 | 01,02 |
| 09 | L9502 | | ----- | NQL52EM-100X | COIL | (Addition) | 1 | 01,02 |
| 09 | L9801 | | ----- | NQL79GM-100X | COIL | (Addition) | 1 | 01,02 |
| 09 | L9851 | | ----- | NRSA02J-0R0X | MG RESISTOR | (Addition) | 1 | 01,02 |
| 09 | L9861 | | ----- | NQL79GM-470X | COIL | (Addition) | 1 | 01,02 |
| 09 | L9871 | | ----- | NQL79GM-470X | COIL | (Addition) | 1 | 01,02 |
| 09 | L9911 | | ----- | NQL79GM-1R0X | COIL | (Addition) | 1 | 01,02 |
| 09 | CN801 | | ----- | QGB0525L1-14X | CONNECTOR | (Addition) | 1 | 01,02 |
| 09 | CN802 | | ----- | QGF0536C2-10W | CONNECTOR | (Addition) | 1 | 01,02 |

| △ | Symbol | | or | Part No. | | Part Name | Description | Qty | Models |
|---|--------|-------|----|-----------|----------------|----------------|-------------|-----|--------|
| | | | | <Rev.001> | <Rev.002> | | | | |
| | 09 | CN841 | | ----- | QGB0525M1-14X | CONNECTOR | (Addition) | 1 | 01,02 |
| | 09 | CN851 | | ----- | QGF0536C2-07W | CONNECTOR | (Addition) | 1 | 01,02 |
| | 09 | CN861 | | ----- | QGF0536C2-06W | CONNECTOR | (Addition) | 1 | 01,02 |
| | 09 | CN901 | | ----- | QGF0534F3-40X | CONNECTOR | (Addition) | 1 | 01,02 |
| | 09 | CN902 | | ----- | QGF0534F3-10X | CONNECTOR | (Addition) | 1 | 01,02 |
| | 09 | CN911 | | ----- | QGF1039F2-04X | CONNECTOR | (Addition) | 1 | 01,02 |
| | 09 | CN921 | | ----- | QGB0812L2-30X | CONNECTOR | (Addition) | 1 | 01,02 |
| | 09 | CN941 | | ----- | QGF0534F2-60X | CONNECTOR | (Addition) | 1 | 01,02 |
| | 09 | CN951 | | ----- | QGF0568F1-10W | CONNECTOR | (Addition) | 1 | 01,02 |
| | 09 | CN971 | | ----- | QGF0534F3-06X | CONNECTOR | (Addition) | 1 | 01,02 |
| | 09 | EP851 | | ----- | NNZ0129-001X | EARTH TERMINAL | (Addition) | 1 | 01,02 |
| | 09 | EP861 | | ----- | NNZ0129-001X | EARTH TERMINAL | (Addition) | 1 | 01,02 |
| | 09 | EP991 | | ----- | NNZ0129-001X | EARTH TERMINAL | (Addition) | 1 | 01,02 |
| | 09 | EP992 | | ----- | NNZ0129-001X | EARTH TERMINAL | (Addition) | 1 | 01,02 |
| | 09 | EP993 | | ----- | NNZ0129-001X | EARTH TERMINAL | (Addition) | 1 | 01,02 |
| | 09 | EP994 | | ----- | NNZ0129-001X | EARTH TERMINAL | (Addition) | 1 | 01,02 |
| | 09 | EP995 | | ----- | NNZ0129-001X | EARTH TERMINAL | (Addition) | 1 | 01,02 |
| △ | 09 | F9001 | | ----- | NMFZ018-R75X-E | FUSE | (Addition) | 1 | 02 |
| | 09 | F9001 | | ----- | NMFZ018-R75X-E | FUSE | (Addition) | 1 | 01 |
| △ | 09 | F9801 | | ----- | NMFZ018-R75X-E | FUSE | (Addition) | 1 | 02 |
| | 09 | F9801 | | ----- | NMFZ018-R75X-E | FUSE | (Addition) | 1 | 01 |
| | 09 | J8501 | | ----- | QNZ1007-001 | USB JACK | (Addition) | 1 | 01,02 |
| | 09 | J8601 | | ----- | QNS0288-002 | AUX JACK | (Addition) | 1 | 01,02 |
| | 09 | K8501 | | ----- | NRSA63J-0R0X | MG RESISTOR | (Addition) | 1 | 01,02 |
| | 09 | K8502 | | ----- | NRSA63J-0R0X | MG RESISTOR | (Addition) | 1 | 01,02 |
| | 09 | K8503 | | ----- | NRSA63J-0R0X | MG RESISTOR | (Addition) | 1 | 01,02 |
| | 09 | K8504 | | ----- | NRSA63J-0R0X | MG RESISTOR | (Addition) | 1 | 01,02 |
| | 09 | K8505 | | ----- | NRSA63J-0R0X | MG RESISTOR | (Addition) | 1 | 01,02 |
| | 09 | K8601 | | ----- | NRSA63J-0R0X | MG RESISTOR | (Addition) | 1 | 01,02 |
| | 09 | K8602 | | ----- | NRSA63J-0R0X | MG RESISTOR | (Addition) | 1 | 01,02 |
| | 09 | K8603 | | ----- | NRSA63J-0R0X | MG RESISTOR | (Addition) | 1 | 01,02 |
| | 09 | K8604 | | ----- | NRSA63J-0R0X | MG RESISTOR | (Addition) | 1 | 01,02 |
| | 09 | TH901 | | ----- | NAD0028-103X | N THERMISTOR | (Addition) | 1 | 01,02 |
| | 09 | VA851 | | ----- | NAF0020-001X | VARISTOR | (Addition) | 1 | 01,02 |
| | 09 | VA852 | | ----- | NAF0019-001X | VARISTOR | (Addition) | 1 | 01,02 |
| | 09 | VA853 | | ----- | NAF0019-001X | VARISTOR | (Addition) | 1 | 01,02 |
| | 09 | X9001 | | ----- | NAX0872-001X | CRYSTAL | (Addition) | 1 | 01,02 |

Packing and accessories [M3]

| △ | Symbol | | or | Part No. | | Part Name | Description | Qty | Models |
|---|--------|----|----|--------------|-----------|----------------|-------------|-----|--------|
| | | | | <Rev.001> | <Rev.002> | | | | |
| | M3 | A1 | | LVT1983-007A | ----- | INST BOOK | (Deletion) | 1 | 03 |
| | M3 | A2 | | LVT1983-008A | ----- | INSTALL MANUAL | (Deletion) | 1 | 03 |
| | M3 | P1 | | LV38783-003A | ----- | CARTON | (Deletion) | 1 | 03 |



Victor Company of Japan, Limited

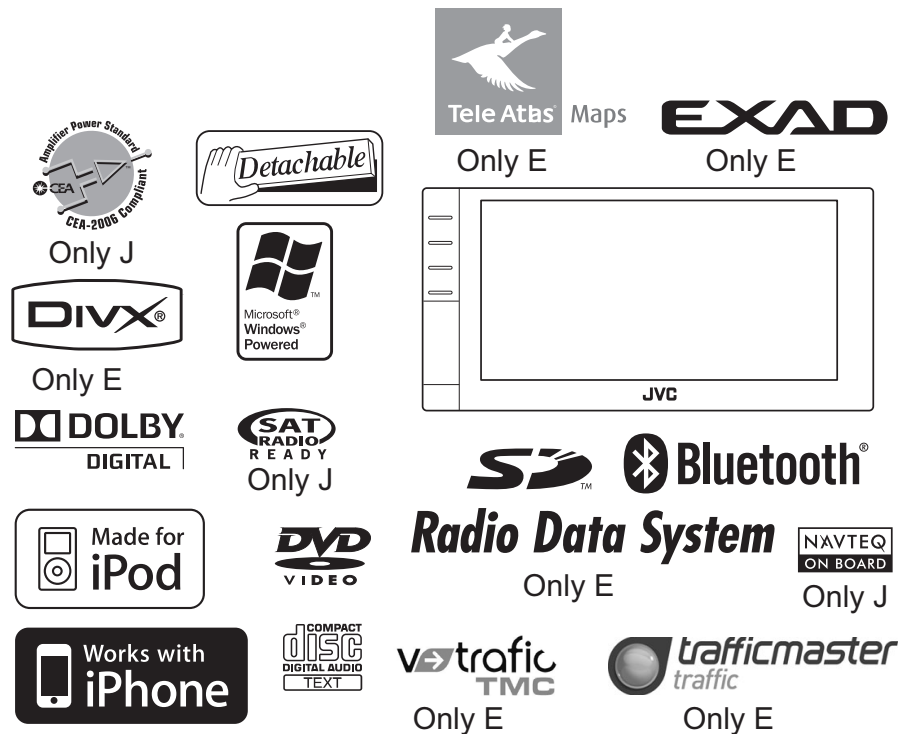
Mobile Entertainment Division 10-1,1chome,Ohwatari-machi,Maebashi-city,371-8543,Japan

JVC

SERVICE MANUAL

NAVIGATION/DVD RECEIVER

KW-NT1J, KW-NT1E



Lead free solder used in the board (material : Sn-Ag-Cu, melting point : 219 Centigrade)
Lead free solder used in the board (material : Sn-Cu, melting point : 230 Centigrade)

TABLE OF CONTENTS

| | | |
|---|-------------------------------|------|
| 1 | PRECAUTION | 1-6 |
| 2 | SPECIFIC SERVICE INSTRUCTIONS | 1-9 |
| 3 | DISASSEMBLY | 1-10 |
| 4 | ADJUSTMENT | 1-18 |
| 5 | TROUBLESHOOTING | 1-24 |

SPECIFICATION

KW-NT1J

| NAVIGATION SYSTEM | | |
|---|--|---|
| System & Service | | L1, C/A code |
| | | Global Positioning System |
| | | Standard Positioning Service |
| Reception System | | 12-channel multi-channel reception system |
| Reception Frequency | | 1 575.42 MHz |
| Sensitivity | | -130 dBm |
| Update Rate | | 1/second, continuous |
| GPS Antenna | Polarization | Right Handed Circular Polarization |
| | Dimensions (approx.) (W × H × D) | 41.0 mm × 15.0 mm × 57.0 mm (1-5/8 inches × 5/8 inch × 2-1/4 inches) |
| | Cable (approx.) | 5.0 m (16.4 feet) |
| AMPLIFIER | | |
| Power Output | | 20 W RMS × 4 Channels at 4 Ω and < or = 1% THD+N |
| Signal-to-Noise Ratio | | 80 dBA (reference: 1 W into 4 Ω) |
| Load Impedance | | 4 Ω (4 Ω to 8 Ω allowance) |
| Equalizer Control Range | Frequencies | 60 Hz, 150 Hz, 400 Hz, 1 kHz, 2.5 kHz, 6.3 kHz, 15 kHz |
| | Level | ±10 dB |
| Audio Output Level LINE OUT (FRONT/REAR), SUBWOOFER | Line-Out Level/Impedance | 2.5 V/20 kΩ load (full scale) |
| | Output Impedance | 1 kΩ |
| Color System | NTSC/PAL | |
| Video Output (composite) | 1 Vp-p/75 Ω | |
| Other Terminals | Input | USB, Front AV-IN, LINE IN, VIDEO IN, CAMERA IN, Antenna input, MIC IN |
| | Output | VIDEO OUT |
| | Others | OE REMOTE, DIGITAL OUT, Satellite unit connector |
| FM/AM TUNER | | |
| Frequency Range | FM (with channel interval set to 100 kHz or 200 kHz) | 87.5 MHz to 107.9 MHz |
| | FM (with channel interval set to 50 kHz) | 87.5 MHz to 108.0 MHz |
| | AM (with channel interval set to 10 kHz) | 530 kHz to 1 710 kHz |
| | AM (with channel interval set to 9 kHz) | 531 kHz to 1 602 kHz |
| FM Tuner | Usable Sensitivity | 11.3 dBf (1.0 μV/75 Ω) |
| | 50 dB Quieting Sensitivity | 16.3 dBf (1.8 μV/75 Ω) |
| | Alternate Channel Selectivity (400 kHz) | 65 dB |
| | Frequency Response | 40 Hz to 15 000 Hz |
| | Stereo Separation | 35 dB |
| AM Tuner | Sensitivity/Selectivity | 20 μV/40 dB |
| DVD/CD | | |
| Signal Detection System | | Non-contact optical pickup (semiconductor laser) |
| Frequency Response | DVD, fs=48 kHz/96 kHz | 16 Hz to 22 000 Hz |
| | CD | 16 Hz to 20 000 Hz |
| Dynamic Range | | 93 dB |
| Signal-to-Noise Ratio | | 95 dB |
| Wow and Flutter | | Less than measurable limit |

| SD | | |
|--|-----------------------------|---|
| Compatible File System | | FAT 32/16/12 |
| Capacity | | 8 Mbytes to 2 Gbytes |
| Data Transfer Rate | | Maximum 10 Mbps |
| USB | | |
| USB Standards | | USB 2.0 Full Speed |
| Data Transfer Rate | | Full Speed: Maximum 12 Mbps |
| | | Low Speed: Maximum 1.5 Mbps |
| Compatible Device | | Mass storage class |
| Compatible File System | | FAT 32/16/12 |
| Max. Current | | DC 5 V 500 mA |
| BLUETOOTH | | |
| Version | | Bluetooth 1.2 certified |
| Output Power | | +4 dBm Max. (Power class 2) |
| Service Area | | Within 10 m (10.9 yd) |
| Profile | | HFP (Hands-Free Profile) 1.5 |
| | | OPP (Object Push Profile) 1.1 |
| MONITOR | | |
| Screen Size | | 6.1 inch wide liquid crystal display |
| Number of Pixel | | 336 960 pixels: 480 × 3 (horizontal) × 234 (vertical) |
| Drive Method | | TFT (Thin Film Transistor) active matrix format |
| Color System | | NTSC/PAL |
| Aspect Ratio | | 16:9 (wide) |
| GENERAL | | |
| Power Requirement | Operating Voltage | DC 14.4 V (11 V to 16 V allowance) |
| Grounding System | | Negative ground |
| Allowable Storage Temperature | | -10°C to +60°C (14°F to 140°F) |
| Allowable Operating Temperature | | 0°C to +40°C (32°F to 104°F) |
| Dimensions (W × H × D) (With trim plate and sleeve attached) | Installation Size (approx.) | 182 mm × 111 mm × 161 mm (7-3/16" × 4-3/8" × 6-3/8") |
| | Panel Size (approx.) | 188 mm × 117 mm × 10 mm (7-7/16" × 4-5/8" × 7/16") |
| Mass (approx.) | | 2.4 kg (5.3 lbs) (including trims and sleeve) |

Design and specifications are subject to change without notice.

KW-NT1E

| NAVIGATION SYSTEM | | |
|---|---|--|
| System & Service | | L1, C/A code |
| | | Global Positioning System |
| | | Standard Positioning Service |
| Reception System | | 12-channel multi-channel reception system |
| Reception Frequency | | 1 575.42 MHz |
| Sensitivity | | -130 dBm |
| Update Rate | | 1/second, continuous |
| GPS Aerial | Polarization | Right Handed Circular Polarization |
| GPS Aerial | Dimensions (approx.) (W × H × D) | 41.0 mm × 15.0 mm × 57.0 mm |
| | Cable (approx.) | 5.0 m |
| AMPLIFIER | | |
| Maximum Power Output | Front/Rear | 50 W per channel |
| Continuous Power Output (RMS) | Front/Rear | 20 W per channel into 4 Ω, 40 Hz to 20 000 Hz at no more than 0.8% total harmonic distortion |
| Load Impedance | | 4 Ω (4 Ω to 8 Ω allowance) |
| Equalizer Control Range | Frequencies | 60 Hz, 150 Hz, 400 Hz, 1 kHz, 2.5 kHz, 6.3 kHz, 15 kHz |
| | Level | ±10 dB |
| Signal-to-Noise Ratio | | 70 dB |
| Audio Output Level LINE OUT (FRONT/REAR), SUBWOOFER | Line-Out Level/Impedance | 2.5 V/20 kΩ load (full scale) |
| | Output Impedance | 1 kΩ |
| Colour System | | PAL |
| Video Output (composite) | | 1 Vp-p/75 Ω |
| Other Terminals | Input | USB, Front AV-IN, LINE IN, VIDEO IN, CAMERA IN, Aerial input, MIC IN |
| | Output | VIDEO OUT |
| | Others | OE REMOTE, DIGITAL OUT |
| FM/AM TUNER | | |
| Frequency Range | FM | 87.5 MHz to 108.0 MHz |
| | AM | (MW) 522 kHz to 1 620 kHz |
| | | (LW) 144 kHz to 279 kHz |
| FM Tuner | Usable Sensitivity | 11.3 dBf (1.0 μV/75 Ω) |
| | 50 dB Quieting Sensitivity | 16.3 dBf (1.8 μV/75 Ω) |
| | Alternate Channel Selectivity (400 kHz) | 65 dB |
| | Frequency Response | 40 Hz to 15 000 Hz |
| | Stereo Separation | 35 dB |
| MW Tuner | Sensitivity/Selectivity | 20 μV/40 dB |
| LW Tuner | Sensitivity | 50 μV |
| DVD/CD | | |
| Frequency Response | DVD, fs=48 kHz/96 kHz | 16 Hz to 22 000 Hz |
| | CD | 16 Hz to 22 000 Hz |
| Dynamic Range | | 93 dB |
| Signal-to-Noise Ratio | | 95 dB |
| Wow and Flutter | | Less than measurable limit |
| SD | | |
| Compatible File System | | FAT 32/16/12 |

| | | |
|-------------------------------------|---|------------------------------------|
| Capacity | 8 Mbytes to 2 Gbytes | |
| Data Transfer Rate | Maximum 10 Mbps | |
| USB | | |
| USB Standards | USB 2.0 Full Speed | |
| Data Transfer Rate | Full Speed: Maximum 12 Mbps | |
| | Low Speed: Maximum 1.5 Mbps | |
| Compatible Device | Mass storage class | |
| Compatible File System | FAT 32/16/12 | |
| Max. Current | DC 5 V 500 mA | |
| BLUETOOTH | | |
| Version | Bluetooth 1.2 certified | |
| Output Power | +4 dBm Max. (Power class 2) | |
| Service Area | Within 10 m (10.9 yd) | |
| Profile | HFP (Hands-Free Profile) 1.5 | |
| | OPP (Object Push Profile) 1.1 | |
| MONITOR | | |
| Screen Size | 6.1 inch wide liquid crystal display | |
| Number of Pixel | 336 960 pixels: 480 × 3 (horizontal) × 234 (vertical) | |
| Drive Method | TFT (Thin Film Transistor) active matrix format | |
| Colour System | PAL/NTSC | |
| Aspect Ratio | 16:9 (wide) | |
| GENERAL | | |
| Power Requirement | Operating Voltage | DC 14.4 V (11 V to 16 V allowance) |
| Grounding System | Negative ground | |
| Allowable Storage Temperature | -10°C to +60°C | |
| Allowable Operating Temperature | 0°C to +40°C | |
| Dimensions (W × H × D) | Installation Size (approx.) | 182 mm × 111 mm × 161 mm |
| With trim plate and sleeve attached | Panel Size (approx.) | 188 mm × 117 mm × 10 mm |
| Mass (approx.) | 2.4 kg (including trims and sleeve) | |

Design and specifications are subject to change without notice.

SECTION 1 PRECAUTION

1.1 Safety Precautions

- (1) This design of this product contains special hardware and many circuits and components specially for safety purposes. For continued protection, no changes should be made to the original design unless authorized in writing by the manufacturer. Replacement parts must be identical to those used in the original circuits. Services should be performed by qualified personnel only.
- (2) Alterations of the design or circuitry of the product should not be made. Any design alterations of the product should not be made. Any design alterations or additions will void the manufacturer's warranty and will further relieve the manufacturer of responsibility for personal injury or property damage resulting therefrom.
- (3) Many electrical and mechanical parts in the products have special safety-related characteristics. These characteristics are often not evident from visual inspection nor can the protection afforded by them necessarily be obtained by using replacement components rated for higher voltage, wattage, etc. Replacement parts which have these special safety characteristics are identified in the Parts List of Service Manual. Electrical components having such features are identified by shading on the schematics and by (Δ) on the Parts List in the Service Manual. The use of a substitute replacement which does not have the same safety characteristics as the recommended replacement parts shown in the Parts List of Service Manual may create shock, fire, or other hazards.
- (4) The leads in the products are routed and dressed with ties, clamps, tubings, barriers and the like to be separated from live parts, high temperature parts, moving parts and/or sharp edges for the prevention of electric shock and fire hazard. When service is required, the original lead routing and dress should be observed, and it should be confirmed that they have been returned to normal, after reassembling.

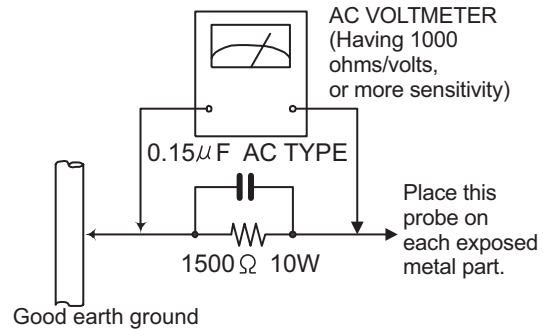
(5) Leakage shock hazard testing

After reassembling the product, always perform an isolation check on the exposed metal parts of the product (antenna terminals, knobs, metal cabinet, screw heads, headphone jack, control shafts, etc.) to be sure the product is safe to operate without danger of electrical shock. Do not use a line isolation transformer during this check.

- Plug the AC line cord directly into the AC outlet. Using a "Leakage Current Tester", measure the leakage current from each exposed metal part of the cabinet, particularly any exposed metal part having a return path to the chassis, to a known good earth ground. Any leakage current must not exceed 0.5mA AC (r.m.s.).
- Alternate check method
Plug the AC line cord directly into the AC outlet. Use an AC voltmeter having, 1,000 Ω per volt or more sensitivity in the following manner. Connect a 1,500 Ω 10W resistor paralleled by a 0.15 μ F AC-type capacitor between an exposed metal part and a known good earth ground. Measure the AC voltage across the resistor with the AC

voltmeter.

Move the resistor connection to each exposed metal part, particularly any exposed metal part having a return path to the chassis, and measure the AC voltage across the resistor. Now, reverse the plug in the AC outlet and repeat each measurement. Voltage measured any must not exceed 0.75 V AC (r.m.s.). This corresponds to 0.5 mA AC (r.m.s.).



1.2 Warning

- (1) This equipment has been designed and manufactured to meet international safety standards.
- (2) It is the legal responsibility of the repairer to ensure that these safety standards are maintained.
- (3) Repairs must be made in accordance with the relevant safety standards.
- (4) It is essential that safety critical components are replaced by approved parts.
- (5) If mains voltage selector is provided, check setting for local voltage.

1.3 Caution

Burrs formed during molding may be left over on some parts of the chassis.

Therefore, pay attention to such burrs in the case of pre-forming repair of this system.

1.4 Critical parts for safety

In regard with component parts appearing on the silk-screen printed side (parts side) of the PWB diagrams, the parts that are printed over with black such as the resistor (■), diode (■) and ICP (●) or identified by the " Δ " mark nearby are critical for safety. When replacing them, be sure to use the parts of the same type and rating as specified by the manufacturer.
(This regulation does not Except the J and C version)

1.5 Preventing static electricity

Electrostatic discharge (ESD), which occurs when static electricity stored in the body, fabric, etc. is discharged, can destroy the laser diode in the traverse unit (optical pickup). Take care to prevent this when performing repairs.

1.5.1 Grounding to prevent damage by static electricity

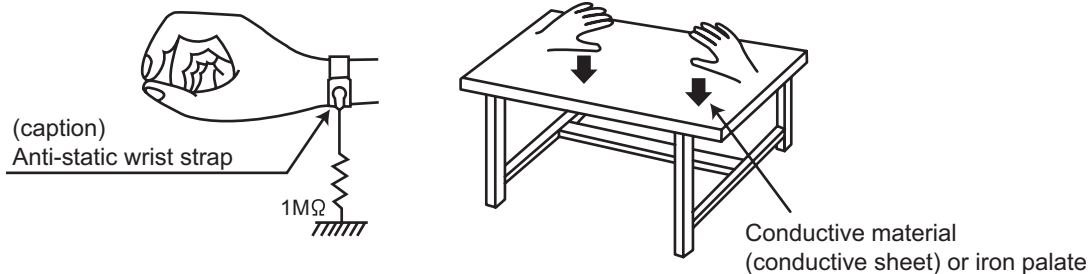
Static electricity in the work area can destroy the optical pickup (laser diode) in devices such as laser products. Be careful to use proper grounding in the area where repairs are being performed.

(1) Ground the workbench

Ground the workbench by laying conductive material (such as a conductive sheet) or an iron plate over it before placing the traverse unit (optical pickup) on it.

(2) Ground yourself

Use an anti-static wrist strap to release any static electricity built up in your body.



(3) Handling the optical pickup

- In order to maintain quality during transport and before installation, both sides of the laser diode on the replacement optical pickup are shorted. After replacement, return the shorted parts to their original condition. (Refer to the text.)
- Do not use a tester to check the condition of the laser diode in the optical pickup. The tester's internal power source can easily destroy the laser diode.

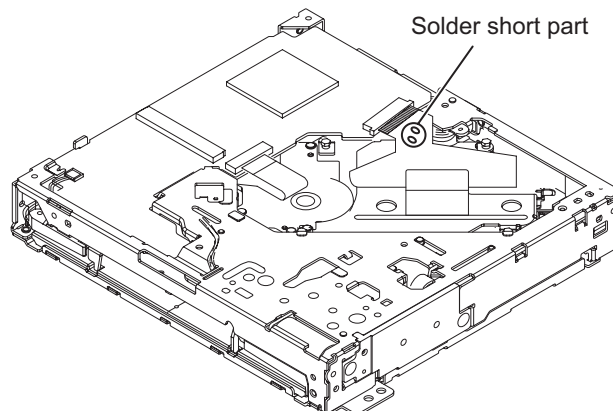
1.6 Handling the traverse unit (optical pickup)

- (1) Do not subject the traverse unit (optical pickup) to strong shocks, as it is a sensitive, complex unit.
- (2) Cut off the shorted part of the flexible cable using nippers, etc. after replacing the optical pickup. For specific details, refer to the replacement procedure in the text. Remove the anti-static pin when replacing the traverse unit. Be careful not to take too long a time when attaching it to the connector.
- (3) Handle the flexible cable carefully as it may break when subjected to strong force.
- (4) It is not possible to adjust the semi-fixed resistor that adjusts the laser power. Do not turn it.

1.7 Attention when traverse unit is decomposed

***Please refer to "Disassembly method" in the text for the pickup unit.**

- Apply solder to the short land sections before the card wire is disconnected from the connector on the servo board. (If the card wire is disconnected without applying solder, the pickup may be destroyed by static electricity.)
- In the assembly, be sure to remove solder from the short land sections after connecting the card wire.



1.8 Important for laser products

1.CLASS 1 LASER PRODUCT

2.CAUTION :

(For U.S.A.) Visible and/or invisible class II laser radiation when open. Do not stare into beam.

(Others) Visible and/or invisible class 1M laser radiation when open. Do not view directly with optical instruments.

3.CAUTION : Visible and/or invisible laser radiation when open and inter lock failed or defeated. Avoid direct exposure to beam.

4.CAUTION : This laser product uses visible and/or invisible laser radiation and is equipped with safety switches which prevent emission of radiation when the drawer is open and the safety interlocks have failed or are defeated. It is dangerous to defeat the safety switches.

(For U.S.A.)

CAUTION : Visible and/or invisible class II laser radiation when open. Do not stare into beam.

(Others)

CAUTION : Visible and/or invisible class 1M laser radiation when open. Do not view directly with optical instruments

ACHTUNG: Sichtbare und/oder unsichtbare Laserstrahlung der Klasse 1M bei offenen Abdeckungen. Nicht direkt mit optischen Instrumenten betrachten.

ATTENTION: Rayonnement laser visible et/ou invisible de classe 1M une fois ouvert. Ne pas regarder directement avec des instruments optiques.

VOORZICHTIG: Zichtbare en/of onzichtbare klasse 1M laserstralen indien geopend. Bekijk niet direct met optische instrumenten.

ATTENZIONE: Radiazione laser in classe 1M visibile e/o invisibile quando aperto. Non osservare direttamente con strumenti ottici.

WARNING: Synlig och/eller osynlig laserstrålning, klass 1M, när denna del är öppnad. Betrakta ej strålen med optiska instrument.

VARO! Avattaessa olet alttiina nakyyvalle ja/tai näkymättömälle luokan 1M lasersateilylle. Älä tarkastele sitä optisen laitteen läpi.

ADVASEL: Synlig og/eller usynlig klasse 1M-laserstråling ved åbning. Se ikke direkte med optiske instrumenter.

AVISO: Radiación láser de clase 1M visible y/o invisible cuando está abierto. No mirar directamente con instrumental óptico.

PRECAUÇÃO: Radiação laser de classe 1M visível e/ou invisível quando aberto. Não olhe diretamente com instrumentos ópticos.

5.CAUTION : If safety switches malfunction, the laser is able to function.

6.CAUTION : Use of controls, adjustments or performance of procedures other than those specified here in may result in hazardous radiation exposure.



CAUTION Please use enough caution not to see the beam directly or touch it in case of an adjustment or operation check.

PRECAUÇÃO: Radiação laser de classe 1M visível e/ou invisível quando aberto. Não olhe diretamente com instrumentos ópticos.

ПРЕДУПРЕЖДЕНИЕ: В открытом состоянии происходит видимое и/или невидимое излучение лазера класса 1M. Не смотрите непосредственно в оптические инструменты.

UWAGA: Otwarcie spowoduje narażenie na widzialne i/lub niewidzialne promieniowanie lasera klasy 1M. Nie patrzeć bezpośrednio w przyrządy optyczne.

UPOZORNĚNÍ: Při otevření vydává viditelné popř. neviditelné laserové ozáření třídy 1M. Nedívejte se do otvoru přímo s optickými nástroji.

FIGYELMEZTETÉS: Látható és/vagy láthatatlan 1M osztályú sugárzás nyitott állapotban. Ne nézze közvetlenül optikai műszerekkel.

注意: 打開蓋板可能會產生可見或不可見的 1M 級鐳射。不要使用光學儀器直接進行窺視。

注意: 打开蓋板可能会产生可见或不可见的 1M 级辐射。不要使用光学仪器直接进行窥视。

تنبيه: يوجد إشعاع ليزري مرئي و/أو غير مرئي من الفئة 1M عندما يكون الجهاز مفتوحاً. تجنب النظر مباشرة داخل الجهاز باستخدام أدوات بصرية.

احتياط: هنگامی که باز گردد، تشعشع مرئی و یا نامرئی کلاس 1M لیزر وجود دارد. با لوازم چشمی مستقیماً به آن نگاه نکنید.

주의: 개방하면 가시 및/또는 비가시 클래스 1M 레이저 방사선이 나옵니다. 광학 기구로 직접 들여다보지 마십시오.

REPRODUCTION AND POSITION OF LABELS and PRINT WARNING LABEL and PRINT

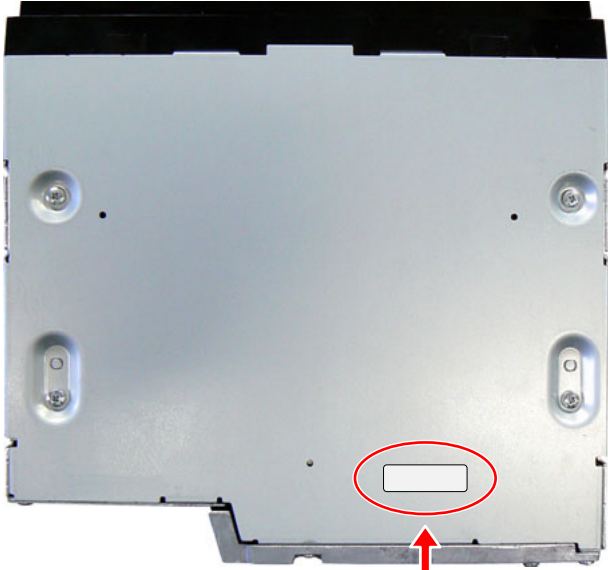


| | | | | | |
|--|--|---|---|--|---|
| CAUTION VISIBLE AND/OR INVISIBLE CLASS 1M LASER RADIATION WHEN OPEN. DO NOT VIEW DIRECTLY WITH OPTICAL INSTRUMENTS. IEC60825-1:2001 (ENG) | ATTENTION RAYONNEMENT LASER VISIBLE ET/OU INVISIBLE DE CLASSE 1M UNE FOIS OUVERT. NE PAS REGARDER DIRECTEMENT AVEC DES INSTRUMENTS OPTIQUES. (FRA) | AVISO RADIACIÓN LASER DE CLASE 1M VISIBLE Y/O INVISIBLE CUANDO ESTÁ ABIERTO. NO MIRAR DIRECTAMENTE CON INSTRUMENTAL ÓPTICO. (ESP) | WARNING SYNLIG OCH/ELLER OSYNLIG LASERSTRÅLNING, KLASS 1M, NÄR DENNA DEL ÄR ÖPPNAD. BETRAKTA EJ STRÅLEN MED OPTISKA INSTRUMENT. (SWE) | 注意 ニごもくく不可視 及び/または不可視 のクラス1M レーザー放射が 出ます。 光学装置で直接 見ないでください。 (JPN) | CAUTION VISIBLE AND/OR INVISIBLE CLASS II LASER RADIATION WHEN OPEN. DO NOT STARE INTO BEAM. FDA 21 CFR (ENG) LV44633-003A |
|--|--|---|---|--|---|

SECTION 2 SPECIFIC SERVICE INSTRUCTIONS

2.1 Identification method

Supported reduction in cost, and board contents or mechanism were changed.
A set put the following label on is an object.



Label position

- M2/R2
LV4542B-001A Change pwb and mechanizm parts
- M2
LV4542B-001A Change mechanizm parts

SECTION 3 DISASSEMBLY

3.1 Main body (Used figure are KW-NT1J)

3.1.1 Removing the Top cover (See Fig.1)

- (1) Remove the five screws **A** attaching the Top cover.

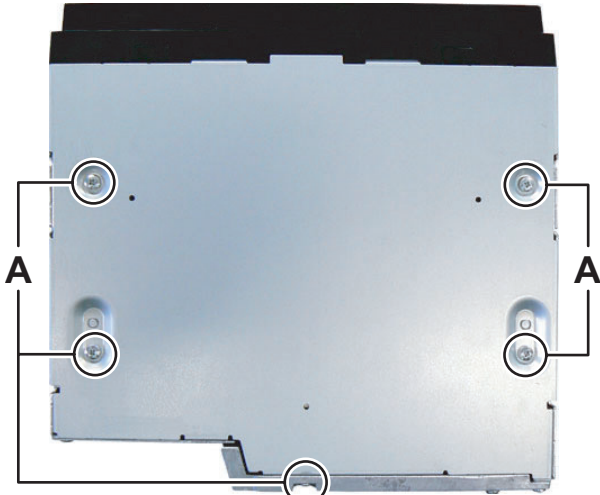


Fig.1

3.1.2 Removing the Front chassis (See Fig.2 to 4)

- (1) Remove the six screw caps **B** attached to Front chassis.
(See Fig.2)

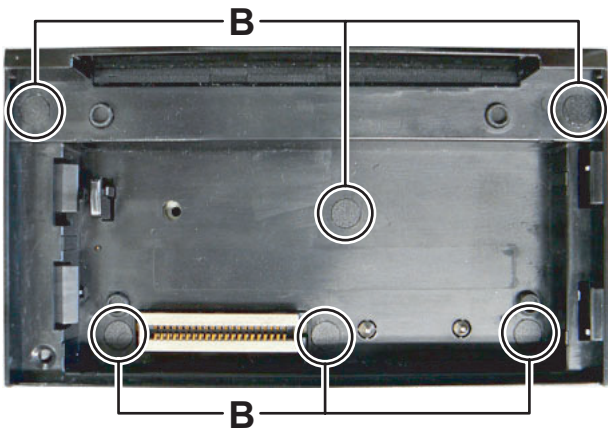


Fig.2

- (2) Remove the six screws **C** attaching the Front chassis. (See Fig.3)

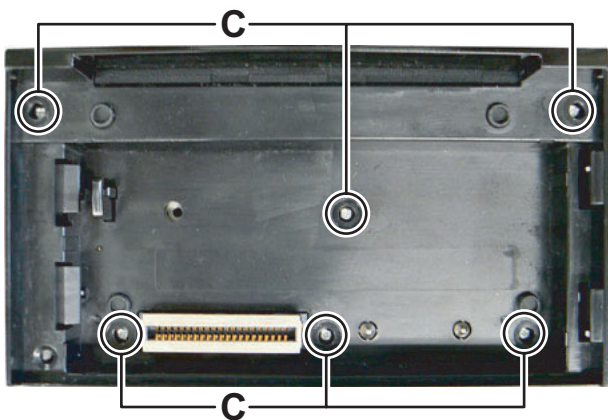


Fig.3

- (3) Disengage four hooks **a** engaged Front chassis. (See Fig.4)

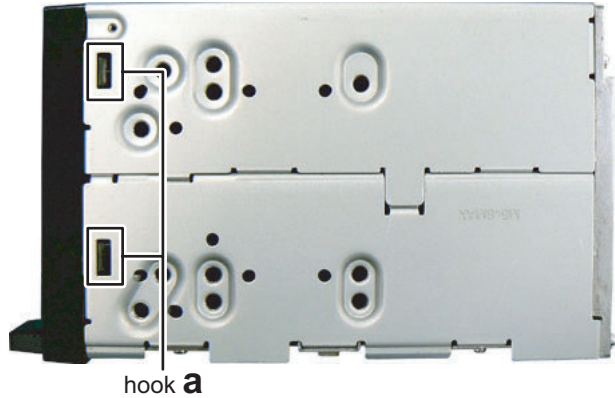


Fig.4

3.1.3 Removing the Detach board (See Fig.5)

- (1) Remove the four screws **D** attaching the NAVI board.

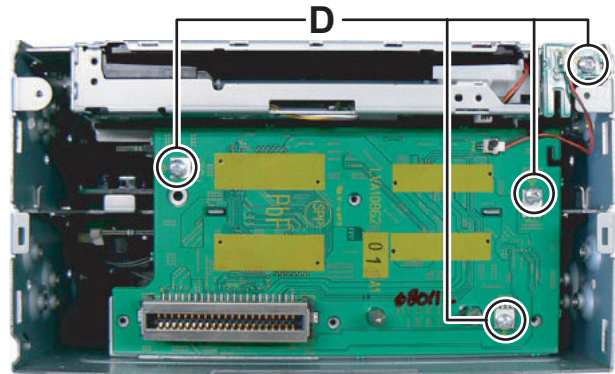


Fig.5

3.1.4 Removing the DVD mechanism (See Fig.6)

- (1) Remove the four screws **E** attaching the DVD mechanism.

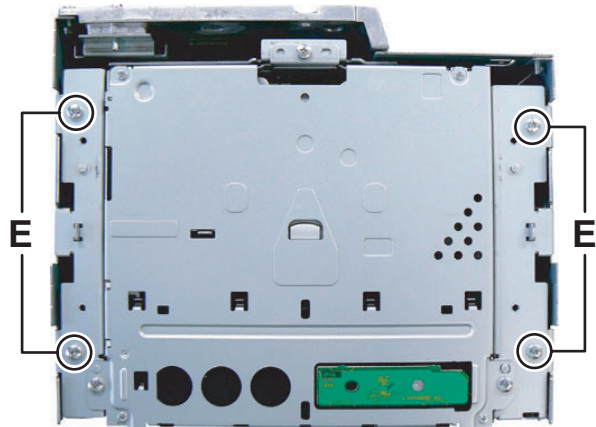


Fig.6

3.1.5 Removing the Front end board (See Fig.7)

- (1) Disconnect the card wire from DVD board connected to connector **CN461** of the Front end board.
- (2) Remove the four screws **F** attaching the Front end board.

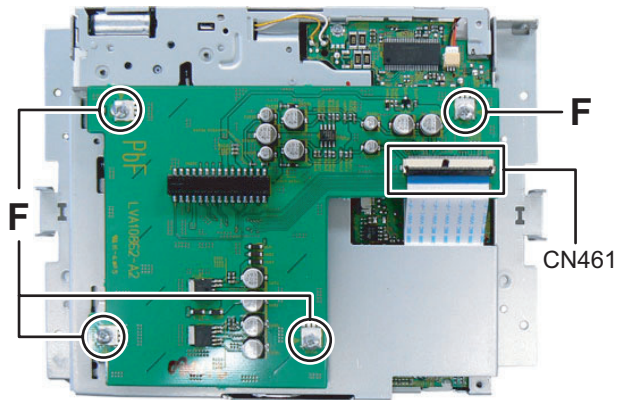


Fig.7

3.1.6 Removing the Heat sink (See Fig.8, 9)

- (1) Disconnect the connector wire from FAN connected to connector **CN325** of the Sub board. (See Fig.8)

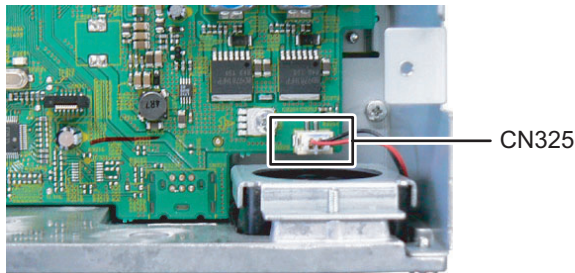


Fig.8

- (2) Remove the three screws **G** and three screws **H** attaching the Heat sink. (See Fig.9)

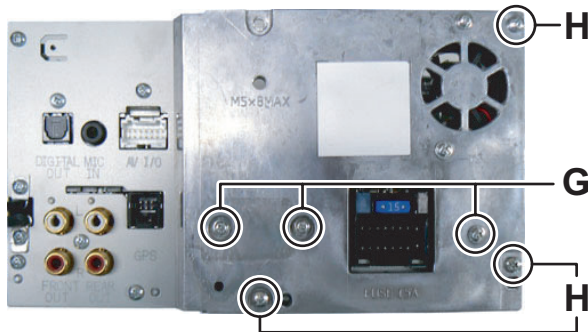


Fig.9

3.1.7 Removing the Rear bracket (See Fig.10)

- (1) Remove the six screws **J** and two screws **K** attaching the Rear bracket.

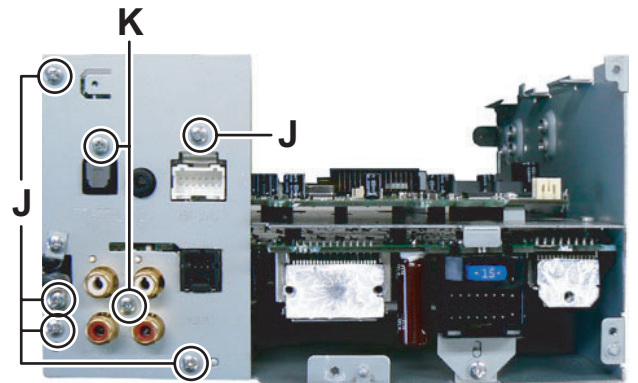


Fig.10

3.1.8 Removing the Sub board (See Fig.11)

- (1) Remove the five screws **L** attaching the Sub board.

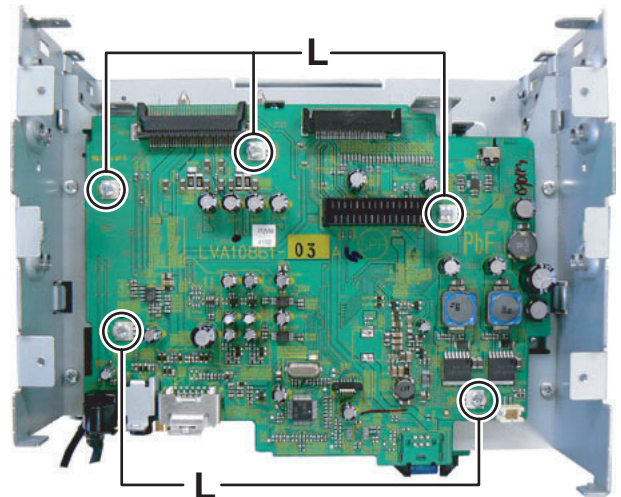


Fig.11

3.1.9 Removing the Bottom chassis (See Fig.12)

- (1) Remove the four screws **M** attaching the Bottom chassis.

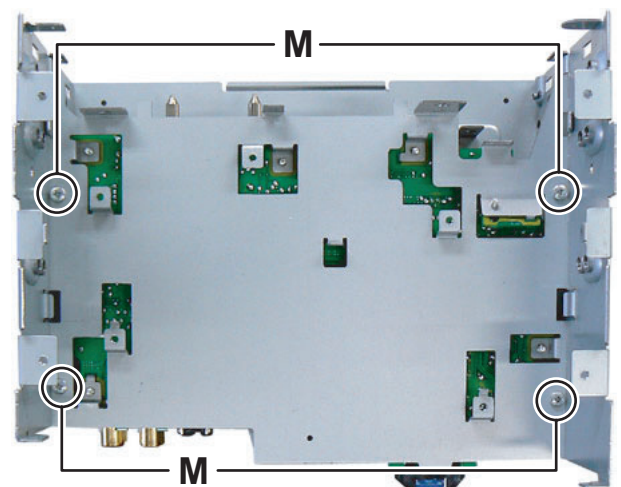


Fig.12

3.1.10 Removing the Main board (See Fig.13)

- (1) Disconnect the connector wire from Gyro sensor board connected to connector [CN261](#) of the Main board.
- (2) Remove the five screws **N** attaching the Main board.

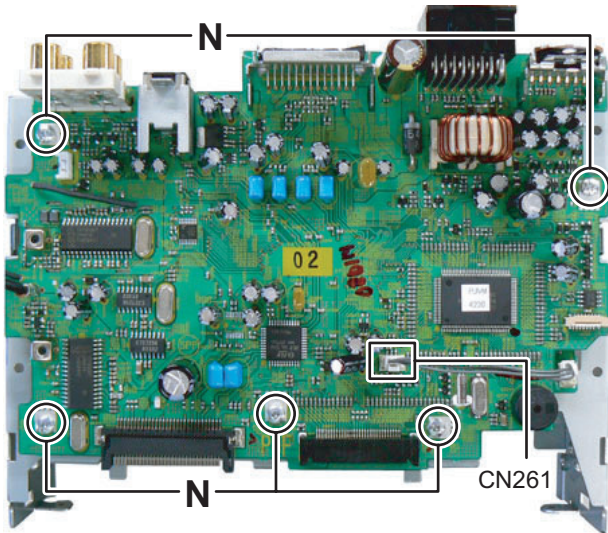


Fig.13

3.1.11 Removing the Gyro sensor board (See Fig.14)

- (1) Remove the one screw **P** attaching the Gyro sensor board.

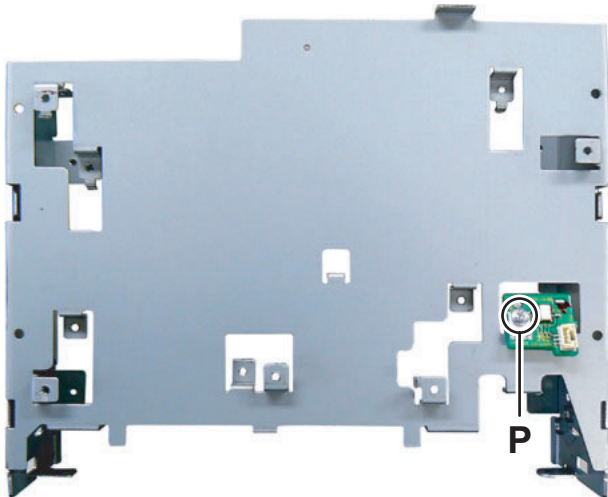


Fig.14

3.1.12 Removing the Rear cover (See Fig.15)

- (1) Remove the six screws **Q** and four screws **R** attaching the Rear cover.
- (2) Disengage ten hooks **b** engaged Rear cover.

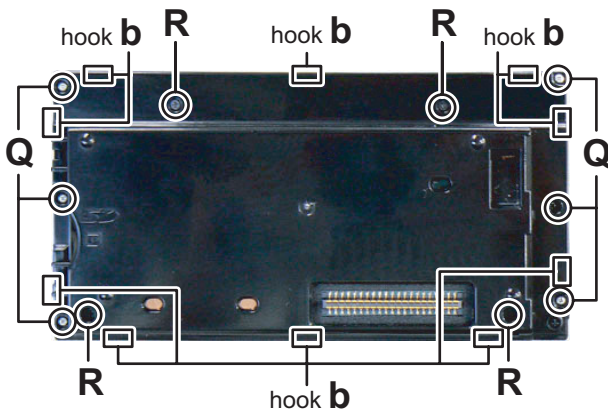


Fig.15

3.1.13 Removing the NAVI board (See Fig.16 to 18)

- (1) Remove the five screws **S** attaching the Shield top. (See Fig.16)

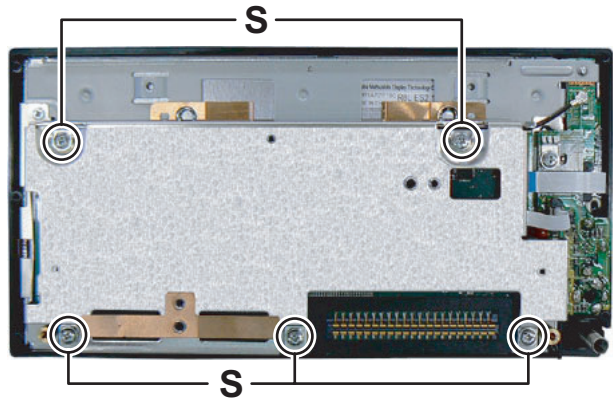


Fig.16

- (2) Disconnect the card wire from Jack board connected to connector [CN671](#) of the NAVI board. (See Fig.17)

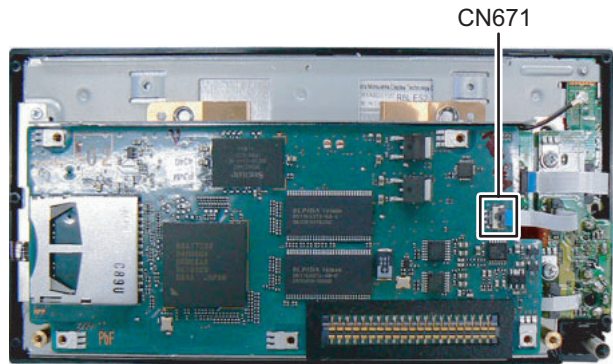


Fig.17

- (3) Turn over the NAVI board, disconnect the card wire from Panel board connected to connector [CN622](#) of the NAVI board. (See Fig.18)

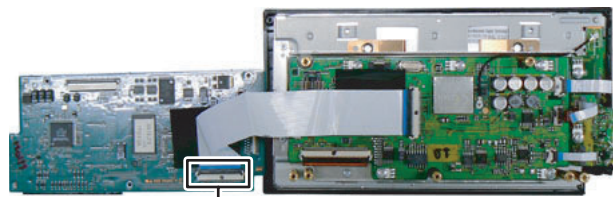


Fig.18

3.1.14 Removing the Panel board (See Fig.19)

- (1) Disconnect the FPC from LCD module connected to connector [CN911](#), [CN941](#) and [CN951](#) of the Panel board.
- (2) Disconnect the card wire from Jack board connected to connector [CN971](#) of the Panel board.
- (3) Disconnect the connector wire from BT antenna board connected to BT module.
- (4) Remove the five screws **T** attaching the Panel board.

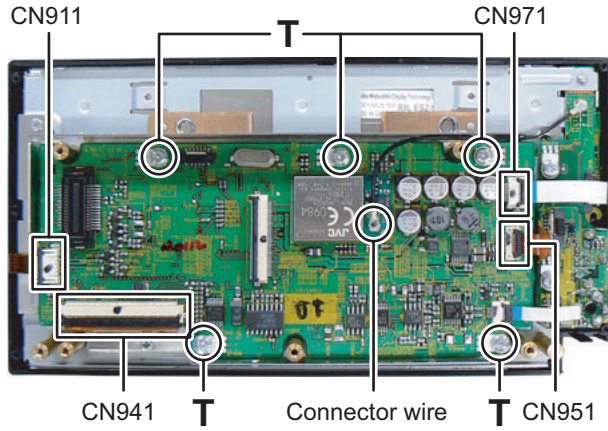


Fig.19

3.1.15 Removing the Jack board (See Fig.20)

- (1) Remove the two screws **U** attaching the Jack board.

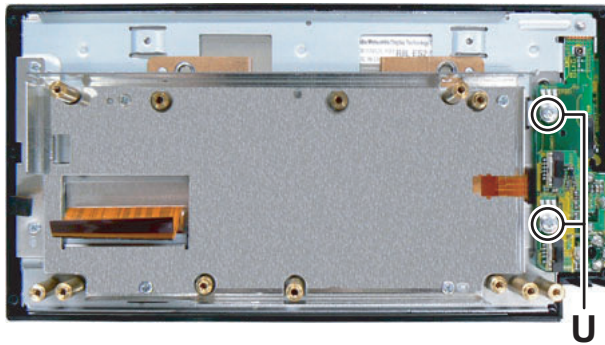


Fig.20

3.2 DVD mechanism assembly section

3.2.1 Removing the Traverse mechanism assembly (See Fig.1 to 6)

- (1) Solder the short land section on the flexible wire of pickup. (See Fig.1)

Caution:

* Solder the short land section on the flexible wire of pickup before disconnecting the flexible wire from the connector **CN101** on the Front end board.

If the flexible wire is disconnected without attaching the solder, the pickup may be destroyed by static electricity.

* When attaching the Traverse mechanism assembly, remove the solder from the short land section after connection the flexible wire to the connector **CN101** on the Front end board.

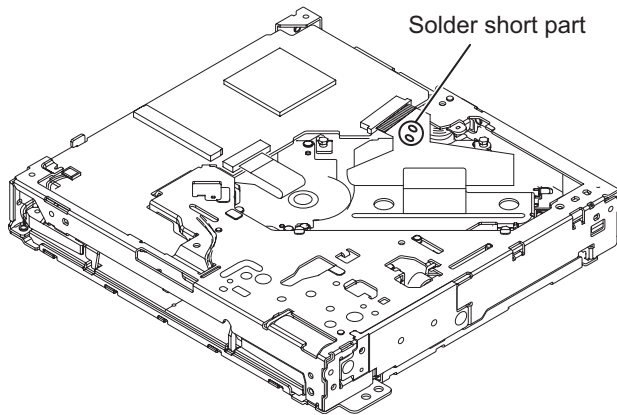


Fig.1

- (2) Voltage supply to **TP79** and **TP81** approx DC 3.0V until Clamper is shift to loading complete position. (See Fig.2)
- (3) Disconnect the flexible wires from Traverse mechanism assembly connected to connector **CN101** and **CN164** of the Front end board. (See Fig.2)

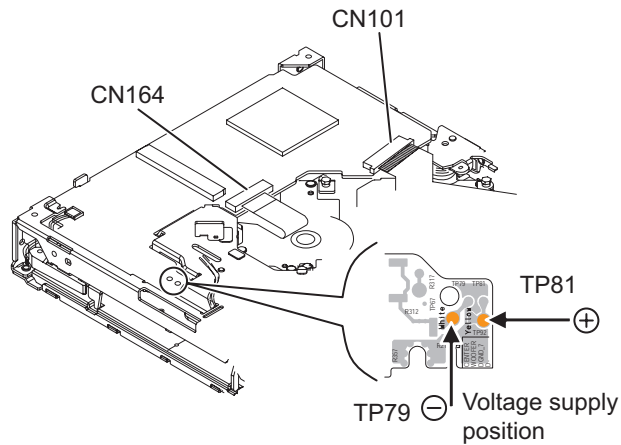


Fig.2

- (4) Remove the five screws **A** attaching the Top cover assembly. (See Fig.3)

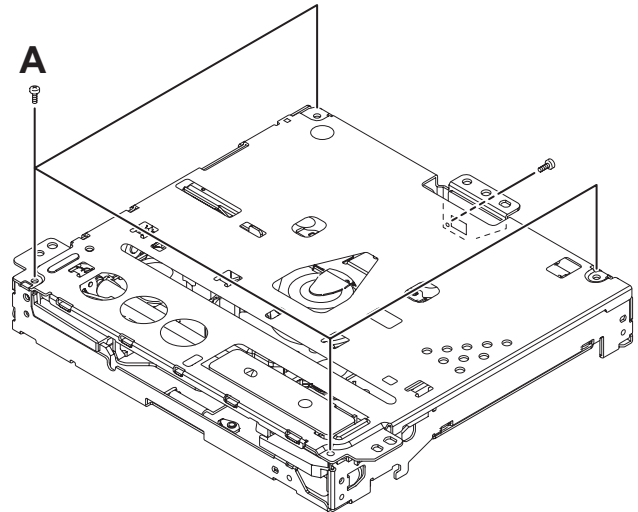


Fig.3

- (5) From the bottom side, disconnect the connector wire from Top cover assembly connected to connector **CN2** of the Front end board. (See Fig.4)

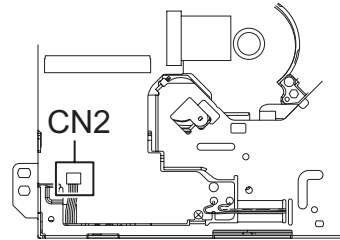


Fig.4

- (6) From the bottom side, remove the spring from Traverse mechanism assembly. (See Fig.5)

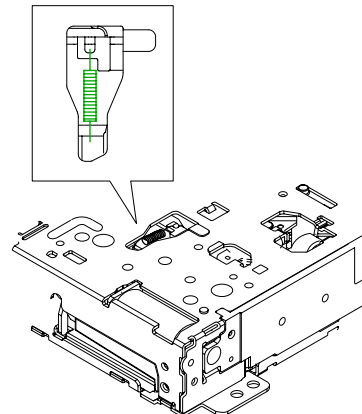


Fig.5

- (7) From the top side, pull up the traverse mechanism and disengage three dumper positions. (See Fig.6)

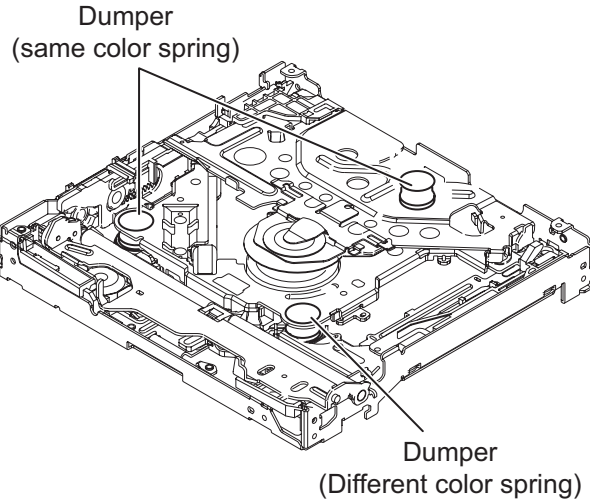


Fig.6

3.2.2 Removing the Front end board (See Fig.7)

- (1) Remove the Motor wires from loading motor soldered to [TP79](#) and [TP81](#) of the Front end board.
- (2) Remove the two screws **B** attaching the Front end board.

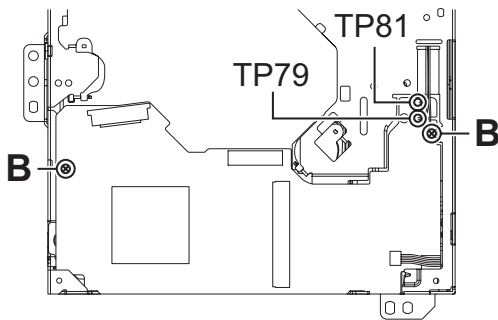


Fig.7

3.2.3 Removing the Loading arm assembly (See Fig.8)

- (1) Remove the Loading arm spring L from Loading arm assembly.
- (2) Slide to left side and then disengage hook **a** then hook **b**.

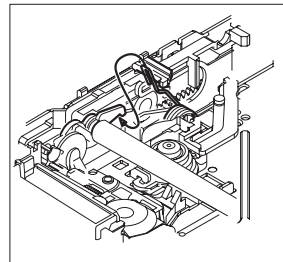
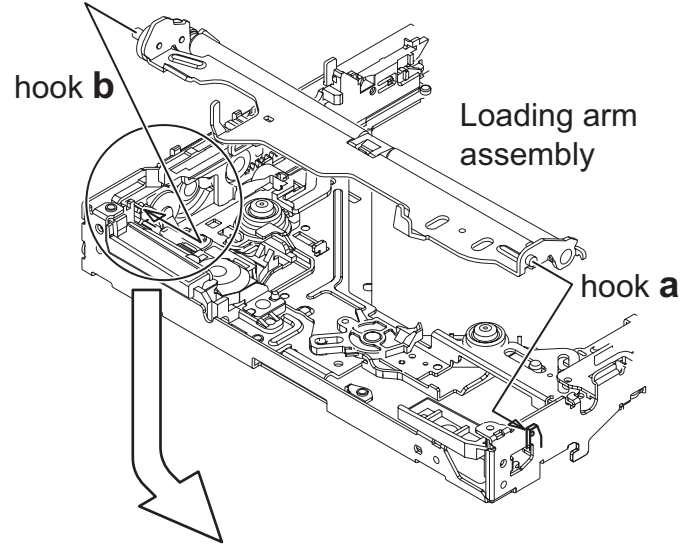


Fig.8

3.2.4 Removing the Gear base assembly (See Fig.9, 10)

- (1) Remove the Loading arm spring L. (See Fig.9)

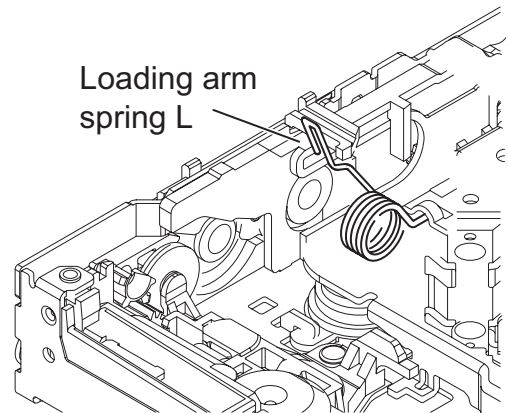


Fig.9

- (2) Remove the two screws **C** attaching the Gear base assembly.
(See Fig.10)

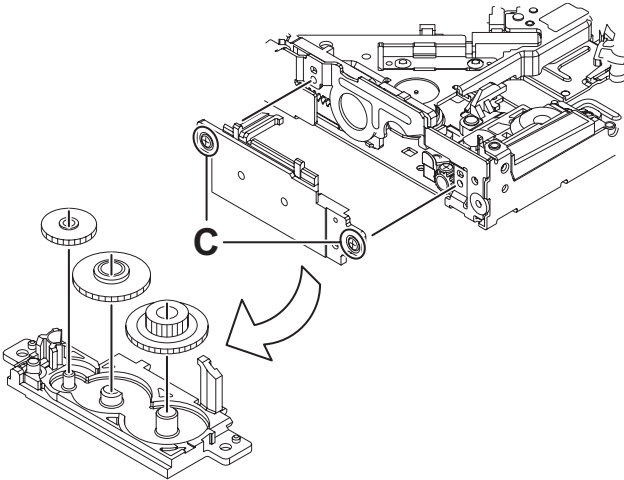


Fig.10

3.2.5 Removing the Loading arm holder. (See Fig.11)

- (1) Remove the two screws **D** attaching the Loading arm holder.
(2) Remove the Loading arm spring **R**.

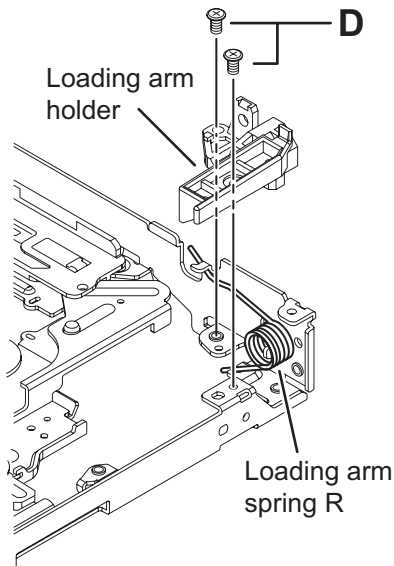


Fig.11

3.2.6 Removing the Loading motor assembly (See Fig.12)

- (1) Remove the three screws **E** attaching the Loading motor assembly.

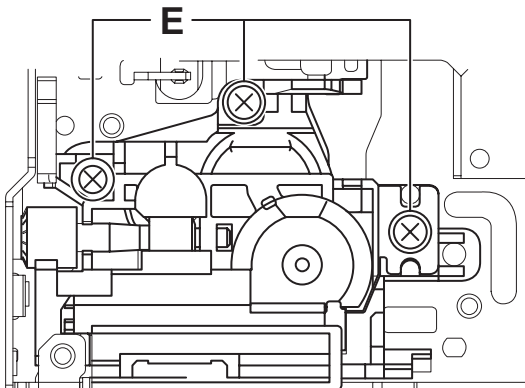


Fig.12

3.2.7 Removing the Slide cam assembly (See Fig.13)

- (1) Slide to backward the Slide cam assembly and the remove the Slide cam spring.
(2) Slide to forward the slide cam assembly, and then take out it.

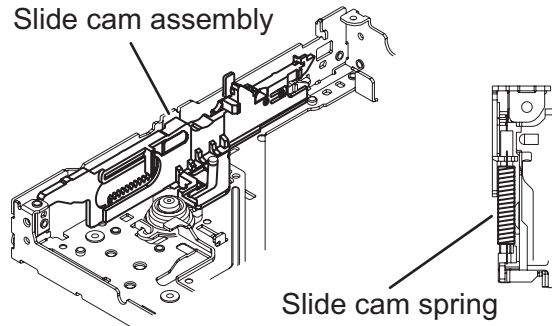


Fig.13

3.2.8 Removing the Photo board (See Fig.14)

- (1) Pressing the hook **c** and then slide to backward (slide to the arrow side) the Disc plate.
(2) Remove the one screw **F** attaching the Photo board.

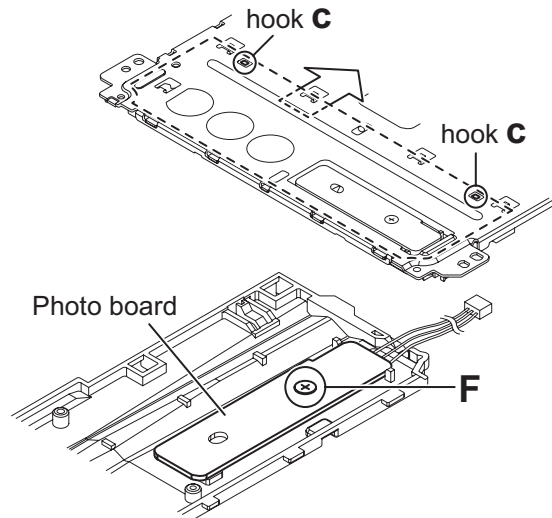


Fig.14

3.2.9 Removing the Loading motor (See Fig.15 to 18)

- (1) Remove the A wheel gear. (See Fig.15)

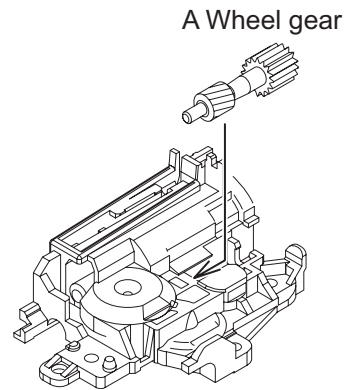


Fig.15

- (2) Remove the A worm gear, M connect gear and M wheel gear by sequentially. (See Fig.16)

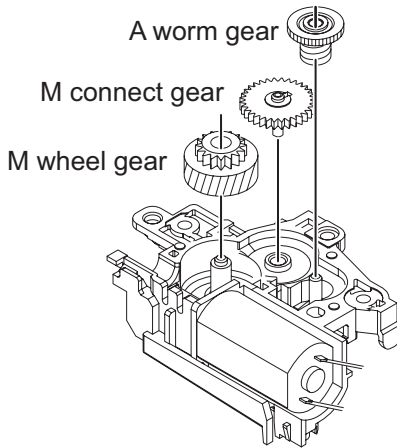


Fig.16

- (3) Remove the two screws **G** attaching the Loading motor. (See Fig.17)

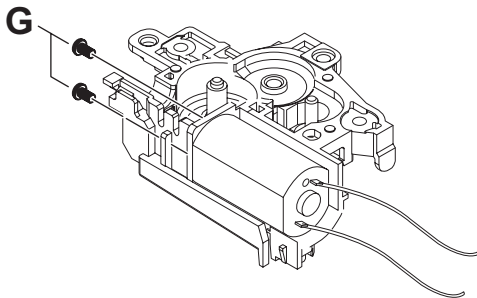


Fig.17

- (4) When attaching the Loading motor, motor wire should arrange to figure. (See Fig.18)

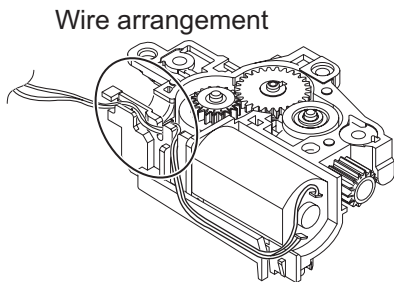


Fig.18

3.2.10 Removing the Roller assembly (See Fig.19)

- (1) Remove the Slit washer.
- (2) Remove the R middle gear.
- (3) Remove the R connect gear.
- (4) Snap off the part **a** of the Roller assembly.
- (5) Lift up the part **b** of the Roller assembly, and then release part **c** (When release part **c**, R collar R is easy to come off, does not lose it).

CAUTION:

When reattach the Roller assembly, Middle gear should keep direction and Slit washer should be change new part.

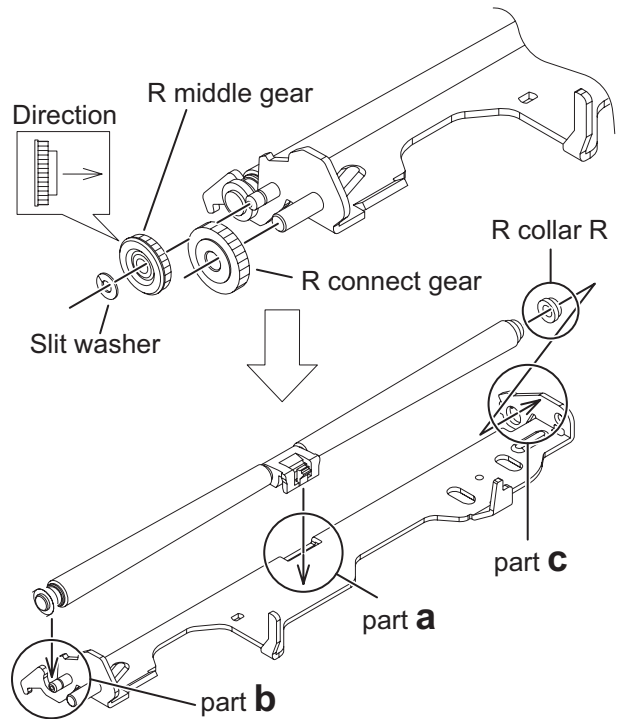


Fig.19

3.2.11 Removing the Roller (See Fig.20)

- (1) Remove the Slit washer.
- (2) Pull out the Roller shaft.

CAUTION:

When reattach the Roller shaft, Slit washer should be change new part.

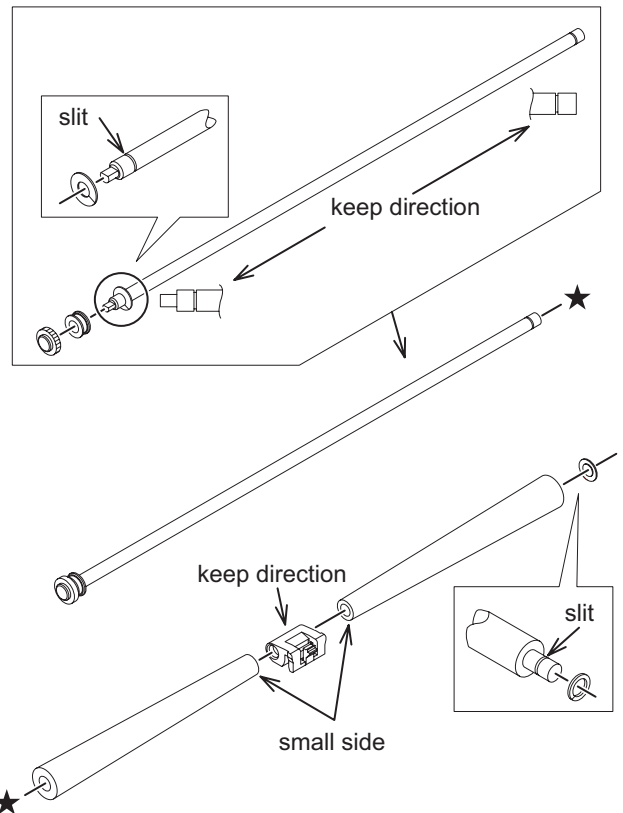


Fig.20

SECTION 4 ADJUSTMENT

4.1 Test instruments required for adjustment

- (1) Digital oscilloscope (100MHz)
- (2) Digital tester
- (3) Test Disc
- (4) Extension cable : EXTXD001-50PF (CN403 - CN461)
 EXTDV002-30P (CN351 - CN451)
 EXTFP001-30P (CN302 - CN442)
 EXTFP001-60PF (CN301 - CN421)
 EXTFP001-42P (CN401 - CN681)
 EXTNT001-30PF (CN921 - CN951)
- (5) Extension stud : STDV001-3P

4.2 Standard measuring conditions

Power supply voltage DC14.4V(10.5 to 16V)
 Load impedance 20K ohm (2 Speakers connection)
 Output Level Line out 2.5V (Vol. MAX)

4.3 Standard volume position

Balance and Bass & Treble volume : Indication "0"
 Loudness : OFF

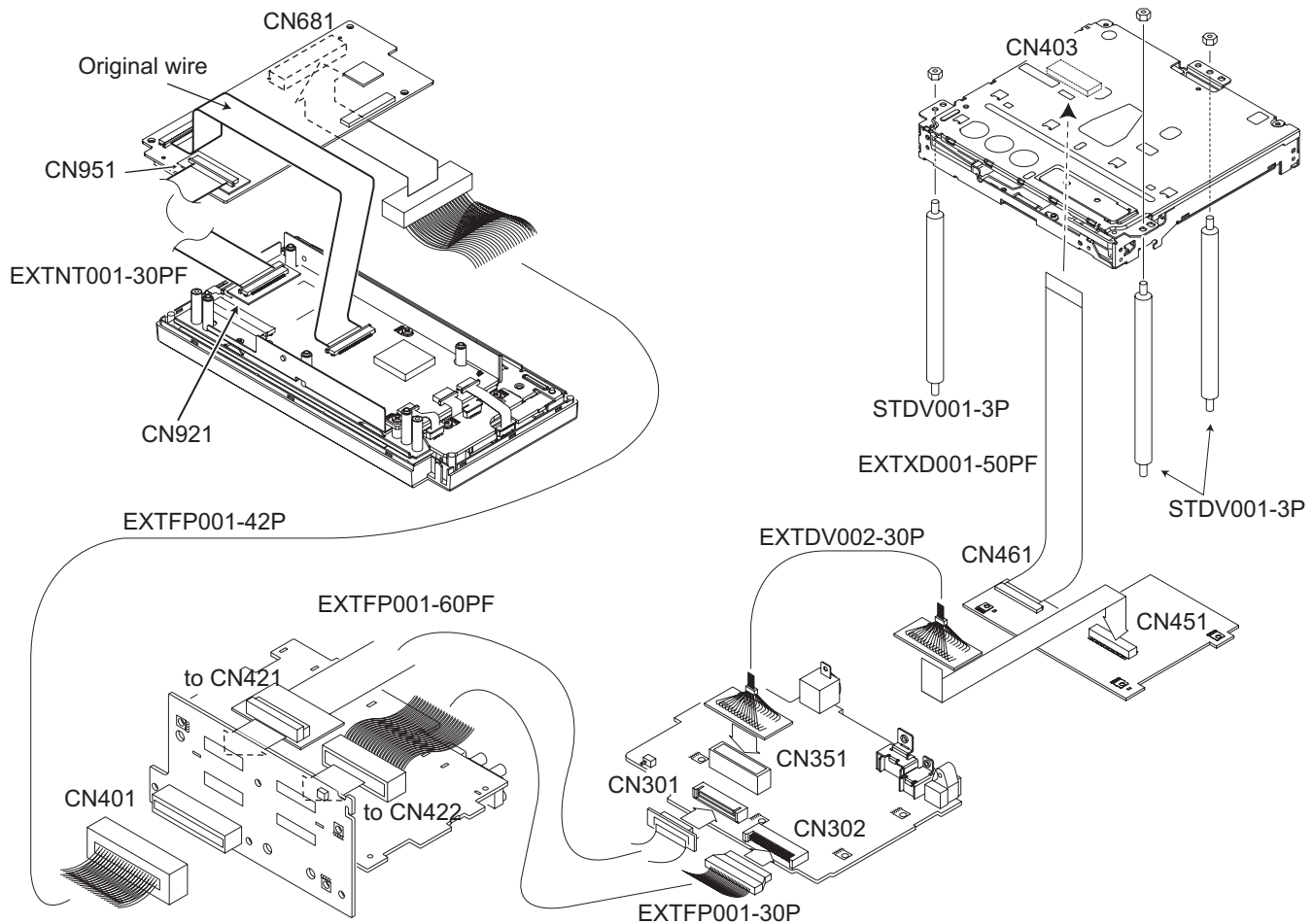
4.4 Dummy load

Exclusive dummy load should be used for AM, and FM.
 For FM dummy load, there is a loss of 6dB between SSG output and antenna input.
 The loss of 6dB need not be considered since direct reading of figures are applied in this working standard.

4.5 How to connect the extension cable for adjusting

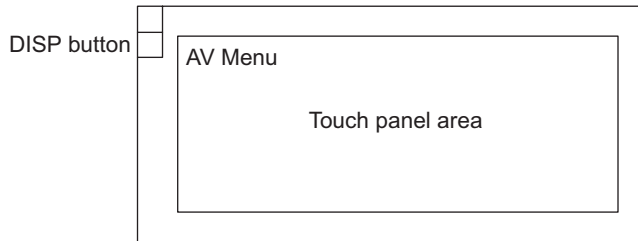
Caution:

Be sure to attach the heat sink and rear bracket onto the power amplifier IC and regulator IC respectively, before supply the power. If voltage is applied without attaching these parts, the power amplifier IC and regulator IC will be destroyed by heat.



4.6 Service Menu

- (1) Set to AV Menu screen.
- (2) Keep this state more 2 seconds while continuing pressing the [DISP] button and [Touch panel (At all area)] sequentially until hear [bip] sound.
- (3) Push the [AV Menu] area of the touch panel within 3 seconds.



Info screen

| | | |
|---------------|------------------|--------|
| Service Menu | Info | Adjust |
| System Info | LCD Test Pattern | |
| Area/Region | DVD Memory Check | |
| Sensor Status | | |
| Temperature | | |
| Error Log | | |
| Return | | |

Display the version of software and database.

| | |
|-------------|-------------|
| System Info | |
| Main CPU | GPS Module |
| Sub CPU | Boot Loader |
| Panel CPU | Navi CPU |
| BT Module | Sysdata |
| DVD Module | map DB |
| Return | Voice DB |

Area and Region indication

| |
|-------------|
| Area/Region |
| Main CPU |
| Navi CPU |
| DVD Module |
| Region Code |
| Return |

Sensor information indication (Gyro and Speed pulse only as for E version)

| | |
|----------------|----------------|
| Sensor Status | |
| GPS Satellites | Gyro |
| GPS Mode | Speed Pulse |
| GPS Lat. | Reverse Signal |
| GPS Lon. | Parking Brake |
| GPS Alt. | Illumination |
| Return | |

Display temperature of system inside at centigrade

| |
|-------------|
| Temperature |
| Main |
| Power Amp |
| Panel |
| DVD Module |
| Return |

Display error history

| |
|-------------|
| Error Log |
| Main Error |
| Sub Error |
| DVD Error |
| Navi Error |
| Panel Error |
| Return |

LCD Test Pattern

Display test pattern

*About cancellation of this mode, press the [AV MAP] button or [DISP] button.

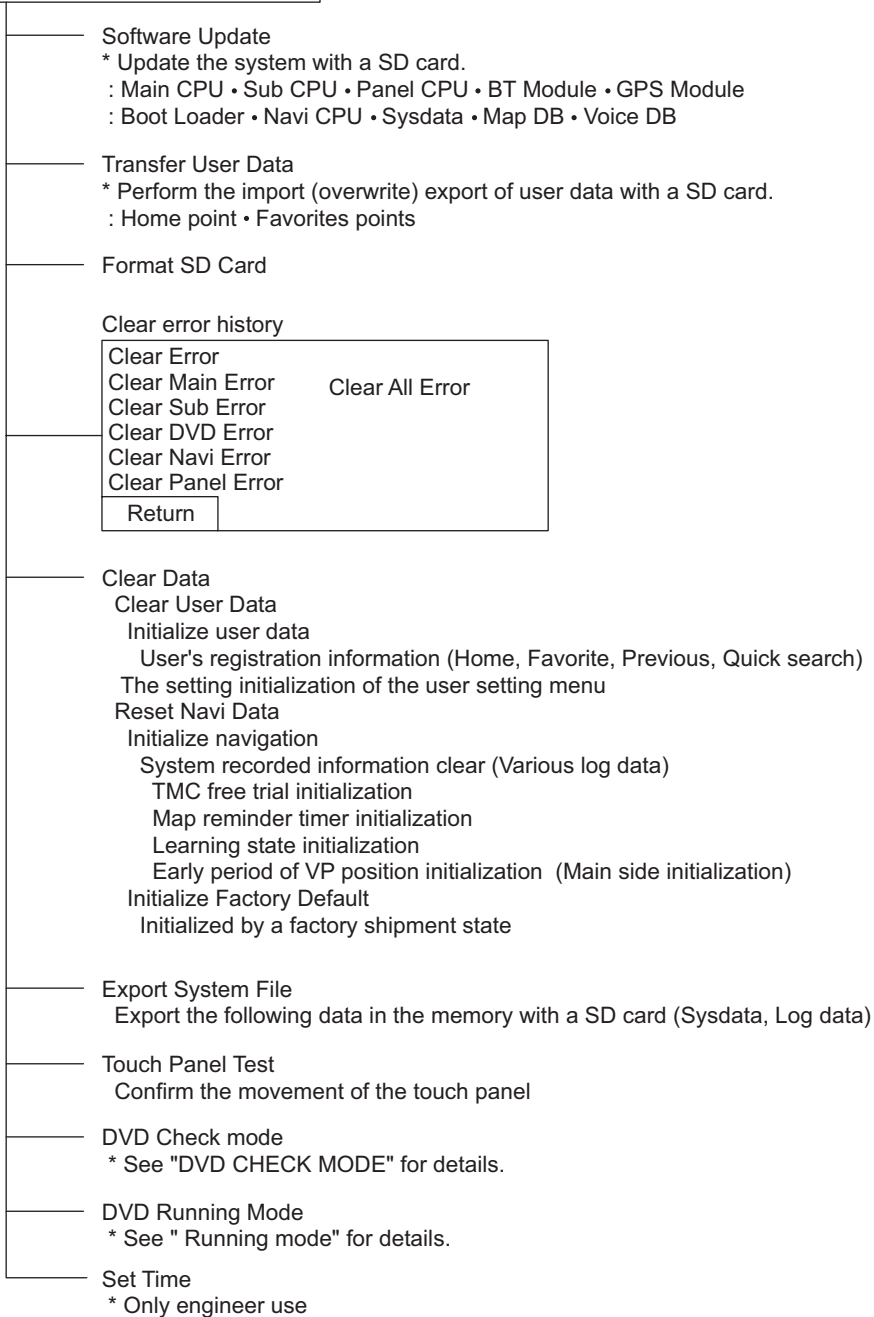
DVD Memory Check

Display a use state of the memory.

*About cancellation of this mode, [ACC] off.

Adjust screen

| | | |
|--------------------|--------------------|--------|
| Service Menu | Info | Adjust |
| Software Update | Export System File | |
| Transfer User Data | Touch Panel Test | |
| Format SD Card | DVD Check mode | |
| Clear Error | DVD Running Mode | |
| Clear Data | Set Time | |
| Return | | |



4.7 DVD check mode

| Command | Mechanism unit operation | Indication contents |
|-----------------|--|--|
| Normal Play | Start at normal speed (After start, jitter is measured by an inner position.) | Laser current value, jitter value |
| EF OUT Tr. Off | Tracking off the outermost position of CD | For EF phase error |
| EF IN Tr. Off | Tracking off the innermost position of CD | For EF phase error |
| CD Laser On | CD_LD lights and laser current is displayed. | Laser current value, jitter value |
| DVD Laser On | DVD_LD lights and laser current is displayed | Laser current value, jitter value |
| DVD×1 Jitter | DVD ×1 jitter measuring mode (for use in mechanism adjustment) | Laser current value, jitter value |
| EEPROM Disp | Contents of EEPROM is displayed. | EEPROM address EEPROM contents |
| EEPROM Clr | Contents of EEPROM is initialized. | EEPROM address EEPROM contents |
| Temperature | Temperature indication | Temperature is displayed in hex numbers. |
| Search & Jitter | The search and jitter measurement to an appointed position of DVD. | Position measured with VT-501 jitter value |
| Monitor | Monitor terminal setting | |
| Play | Play | Not displayed. |
| Stop | Disc stopped, LD-OFF | Not displayed. |
| Open | Eject | Not displayed. |

* Cancellation DVD check mode: ACC off.

4.8 Running mode

| Indication | Explanation | Operation contents of 1 cycle | In mecha error | In disc error |
|----------------|-------------------------|---|----------------|---------------|
| Running Mode 1 | Not use | | | |
| Running Mode 2 | Not use | | | |
| Running Mode 3 | DVD+Door mecha running1 | Loading → Eject → Wait for 5 seconds | Stop | - |
| Running Mode 4 | DVD+Door mecha running2 | Loading → Eject → Wait for 5 seconds | Retry | - |
| Running Mode 5 | DVD+Door mecha running3 | Loading → Playback → Eject → Wait for 5 seconds | Stop | Stop |
| Running Mode 6 | DVD+Door mecha running4 | Loading → Playback → Eject → Wait for 5 seconds | Retry | Stop |
| Running Mode 7 | DVD+Door mecha running5 | Loading → Playback → Eject → Wait for 5 seconds | Stop | Retry |
| Running Mode 8 | DVD+Door mecha running6 | Loading → Playback → Eject → Wait for 5 seconds | Retry | Retry |

* Cancellation of running mode 3 to 8 : ACC off

* The number of count and an error cord are displayed in running.

Playback contents in a running mode

- CD

The first track is played for 30 seconds. → The last track is played for 30 seconds.
(The last track is played in the case of less than till the last for 30 seconds.)

- DVD

2layer disc (Pit disc)

Title 1 (the L0 layer internal circumference) is played for 30 seconds. → Title 12 (L0 layer circumference) is played for 30 seconds.
→ Title 24 (L1layer internal circumference) is played for 30 seconds.

2layer disc (Recordable disc)

Title 1 (the L0 layer internal circumference) is played for 30 seconds. → Title 13 (L0 layer circumference) is played for 30 seconds.
→ Title 24 (L1layer internal circumference) is played for 30 seconds.

1layer disc

First chapter of title 1 is played for 30 seconds. → The last chapter of title 1 is played for 30 seconds.

4.9 Error code tables

4.9.1 Mechanism error code

| Error contents | Details | Error code | Detailed error code |
|---|---|------------|---------------------|
| Disc loading error (3) D1 time out | | 09 | 0013 |
| Eject error (3) B1 time out (4) C1 time out | | 01 01 | 0023 0024 |
| Error in loading wait | Loading of a running mode Disc was pulled out in a wait. | 09 | 0031 |

4.9.2 Disc error code

| Error contents | Details | Error code | Detailed error code |
|--------------------------------------|---|------------|---------------------|
| TOC read error | TOC lead movement of a CD is not completed. | 84 | 0059 |
| First track access error | Even if TOC reading passes after the end with CD running mode for 30 seconds, the first track access is not finished. | 80 | 0060 |
| Last track access error | Even if first track passes after the end with CD running mode for 30 seconds, the last track access is not finished. | 80 | 0061 |
| T1 access error | Even if T1 access passes in a DVD running mode for 30 seconds, it is not finished. | 80 | 0069 |
| T12 access error | Even if T12 access passes in a DVD running mode for 30 seconds, it is not finished. | 80 | 0070 |
| T24 access error | Even if T24 access passes in a DVD running mode for 30 seconds, it is not finished. | 80 | 0071 |
| Read-in area read error | Read-in area read operation of DVD is not completed. | 84 | 0072 |
| DVD L1 layer adjustment error | Adjustment of L1 layer of DVD is not finished normally. (including focus jump failure) | 80 | 0074 |
| DVD L0 layer adjustment error | Adjustment of L0 layer of DVD is not finished normally. (including focus jump failure) | 80 | 0075 |
| NO DISC judgment | Judgment without disc | 80 | 0090 |
| It is NO DISC by start failure | Start is impossible | 80 | 0091 |
| It is stopped by playback inability. | Stop in running mode playback | 80 | 0093 |
| Logic format NG | Logic format analysis inability or non-correspondence logic format | 80 | 0094 |
| Seek access error | It cannot arrive at an aim address even if it passes for 15 seconds. | 80 | 0095 |

4.9.3 Error codes of panel mechanism

* As for two columns of the beginning of the error code, as for error contents, two columns of middle, number of the pulse counts, last two columns are a purpose position and movement directions.

| Error contents | code |
|--------------------------------------|------|
| Time out | OB |
| Position error by the external force | OC |
| Abnormal voltage (1) | F3 |
| Abnormal voltage (2) | F5 |
| Abnormal voltage (3) | F7 |
| Abnormal voltage (4) | F8 |

When assumed last two columns XY;, as for X, as for purpose position, Y, is a movement direction.

| Purpose position | X |
|------------------|---|
| CLOSE | 1 |
| 5 degrees | 2 |
| 10 degrees | 3 |
| 15 degrees | 4 |
| 20 degrees | 5 |
| 25 degrees | 6 |
| 30 degrees | 7 |
| open | 8 |

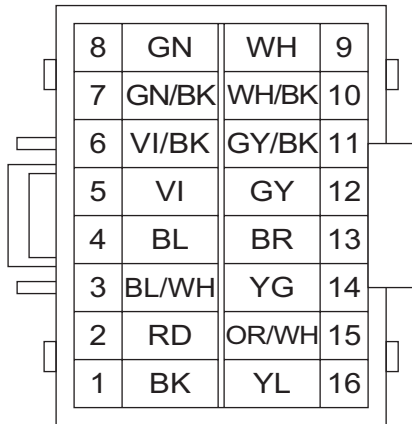
| Movement direction | Y |
|--------------------|---|
| Open direction | 0 |
| Close direction | 1 |

| Detail | Error code (Service mode) |
|--|---------------------------|
| It is time-out during movement to the closed position. | 0B**11 |
| It is time-out during 5 degrees tilt movement.(open direction) | 0B**20 |
| It is time-out during 5 degrees tilt movement.(close direction) | 0B**21 |
| It is time-out during 10 degrees tilt movement.(open direction) | 0B**30 |
| It is time-out during 10 degrees tilt movement.(close direction) | 0B**31 |
| It is time-out during 15 degrees tilt movement.(open direction) | 0B**40 |
| It is time-out during 15 degrees tilt movement.(close direction) | 0B**41 |
| It is time-out during 20 degrees tilt movement.(open direction) | 0B**50 |
| It is time-out during 20 degrees tilt movement.(close direction) | 0B**51 |
| It is time-out during 25 degrees tilt movement.(open direction) | 0B**60 |
| It is time-out during 25 degrees tilt movement.(close direction) | 0B**61 |
| It is time-out during 30 degrees tilt movement.(open direction) | 0B**70 |
| It is time-out during 30 degrees tilt movement.(close direction) | 0B**71 |
| It is time-out during movement to the open position. | 0B**80 |
| It is position error during close position stop. | 0C0011 |
| It is position error during 5 degree tilt position stop. | 0C0020 |
| It is position error during 10 degree tilt position stop. | 0C0030 |
| It is position error during 15 degree tilt position stop. | 0C0040 |
| It is position error during 20 degree tilt position stop. | 0C0050 |
| It is position error during 25 degree tilt position stop. | 0C0060 |
| It is position error during 30 degree tilt position stop. | 0C0070 |
| It is position error during open position stop. | 0C0080 |
| Detect abnormal voltage (1) | F3**XY |
| Detect abnormal voltage (2) | F5**XY |
| Detect abnormal voltage (3) | F7**XY |
| Detect abnormal voltage (4) | F8**XY |

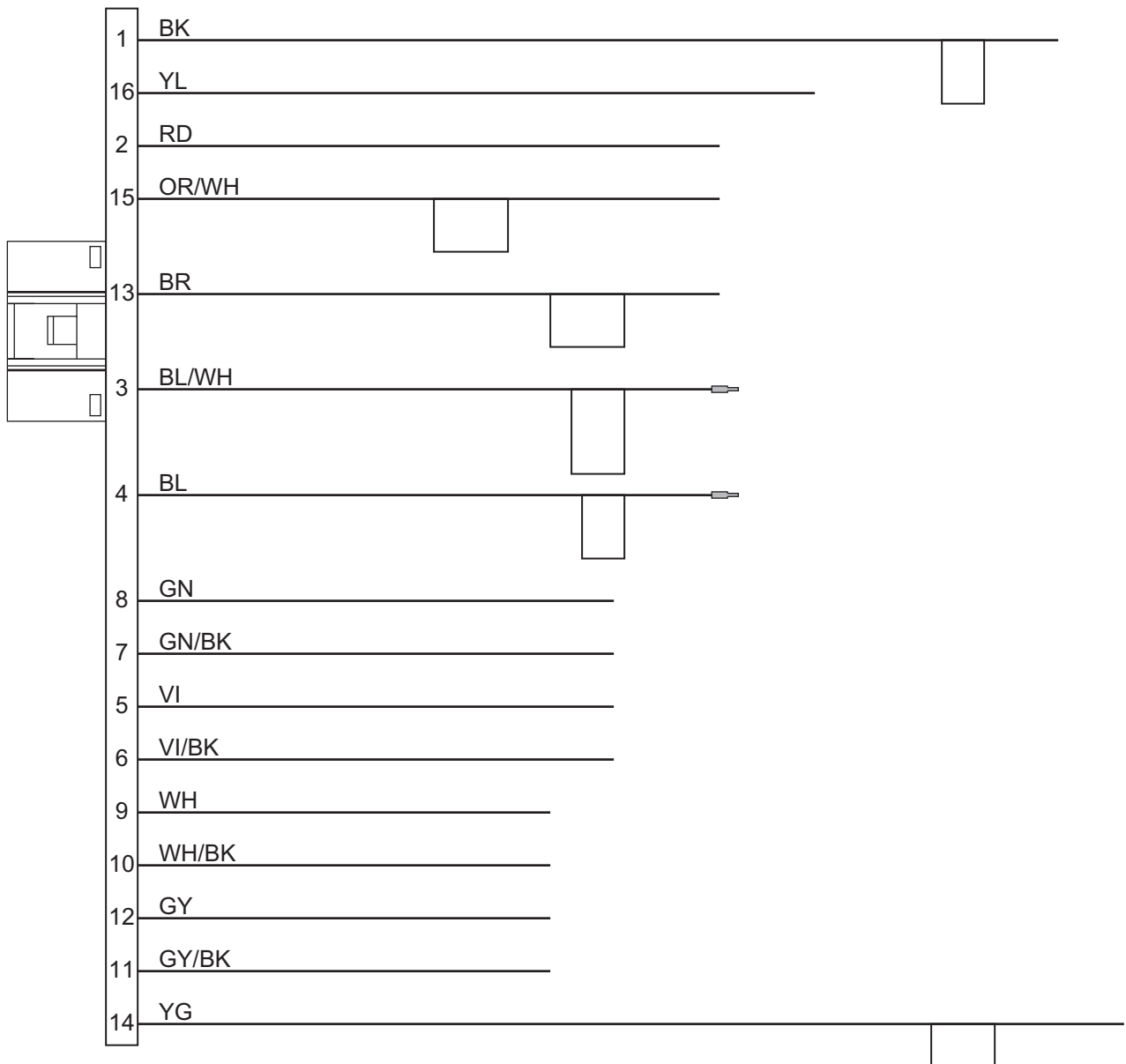
Note: "*" of the above error code is the number of the pulse counts at the time of the error outbreak.

SECTION 5 TROUBLESHOOTING

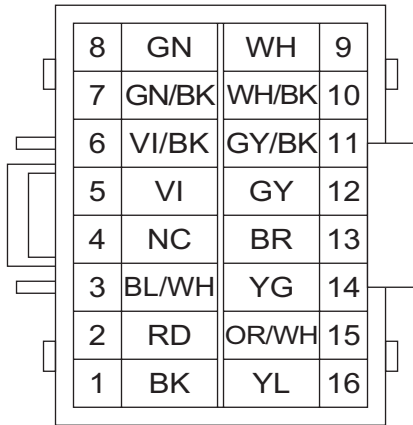
5.1 16 PIN CORD DIAGRAM (For KW-NT1J)



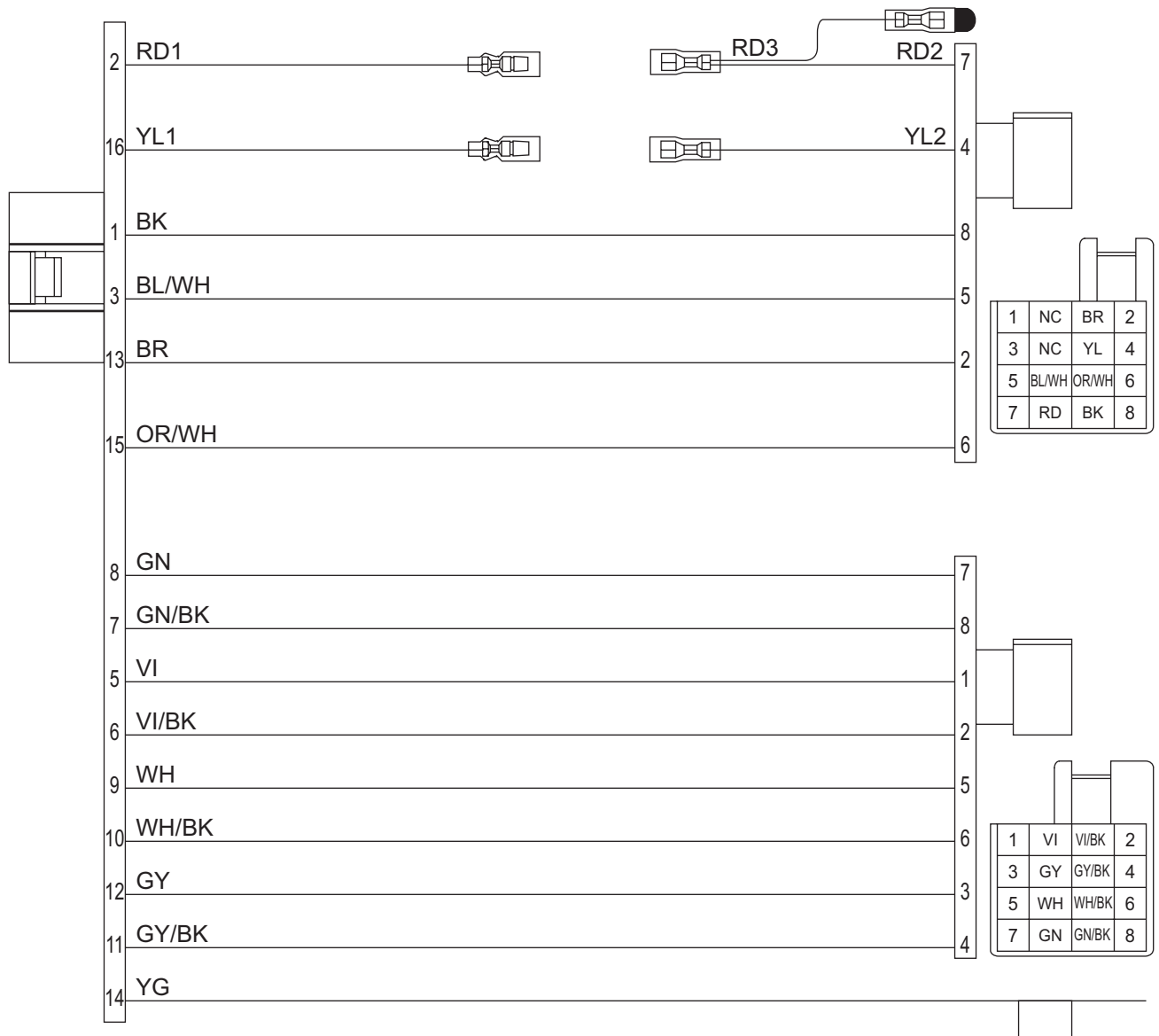
| | | | |
|----|--------|----|--------------|
| BK | Black | GY | Gray |
| RD | Red | BR | Brown |
| BL | Blue | YG | Yellow Green |
| WH | White | OR | Orange |
| VI | Violet | YL | Yellow |
| GN | Green | | |

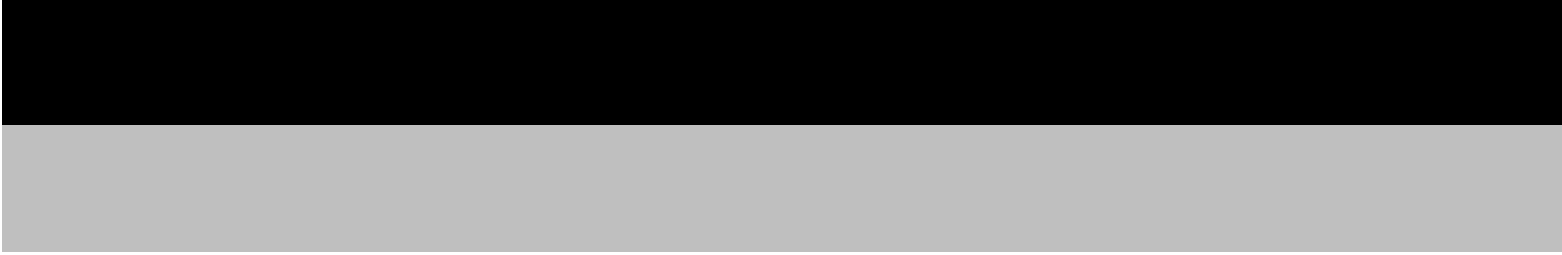


5.2 16 PIN CORD DIAGRAM (For KW-NT1E)



| | | | |
|----|--------|----|--------------|
| BK | Black | GY | Gray |
| RD | Red | BR | Brown |
| BL | Blue | YG | Yellow Green |
| WH | White | OR | Orange |
| VI | Violet | YL | Yellow |
| GN | Green | | |





JVC

Victor Company of Japan, Limited
Mobile Entertainment Division 10-1,1chome,Ohwatari-machi,Maebashi-city,371-8543,Japan

(No.MA453<Rev.003>)

Printed in Japan
VSE



REVISION INFORMATION

NAVIGATION/DVD RECEIVER

KW-NT1J, KW-NT1E

■ OVERVIEW

Supported reductions in cost, and board contents or mechanism were changed.

■ DETAILS

COVER SECTION

| Title | Line | No.MA453<Rev.002> | No.MA453<Rev.003> | Description |
|------------|------|-------------------|-------------------|-------------|
| Revision | | Rev.002 | Rev.003 | |
| Issue Date | | 2009/07 | 2009/11 | |

SECTION 2 SPECIFIC SERVICE INSTRUCTIONS

| Title | Line | No.MA453<Rev.002> | No.MA453<Rev.003> | Description |
|---------------------------|------|---|--|---------------|
| 2.1 Identification method | 1 | Supported reduction in cost, and board contents were changed. | Supported reduction in cost, and board contents or mechanism were changed. | |
| | 3 | ILLUSTRATION(ma453_2001.png) | ILLUSTRATION(ma453_2001.png) | XML Structure |

STANDARD SCHEMATIC DIAGRAMS

Schematic Diagram

| Diagram Name | No.MA453<Rev.002> | No.MA453<Rev.003> | Description |
|--------------|-------------------|--------------------------------|-------------|
| Menu | DVD section | Old DVD section | |
| Menu | - | DVD section ma453_s027.svgz | |

Printed Circuit Board

| Diagram Name | No.MA453<Rev.002> | No.MA453<Rev.003> | Description |
|--------------|-------------------|-------------------------------|-------------|
| Menu | DVD board | Old DVD board | |
| Menu | Photoboard | Old Photoboard | |
| Menu | - | DVD board ma453_p027.svgz | |
| Menu | - | Photoboard ma453_p028.svgz | |

Exploded View

| Diagram Name | No.MA453<Rev.002> | No.MA453<Rev.003> | Description |
|--------------|------------------------|---|-------------|
| Menu | DVD mechanism assembly | Old DVD mechanism assembly | |
| Menu | - | DVD mechanism assembly(common) ma453_mu01.svgz | |

Description of Major ICs

| Diagram Name | No.MA453<Rev.002> | No.MA453<Rev.003> | Description |
|--------------|------------------------|-------------------|-------------|
| Menu | IC398: EN29LV320AT70TP | IC398: JVM440B | |

PARTS LIST

MODEL No. LIST

| Model No. | No.MA453<Rev.003> |
|-----------|-------------------|
| KW-NT1J | 01 |
| KW-NT1E | 02 |

General assembly [M1MM]

| △ | Symbol | or | Part No. | | Part Name | Description | Qty | Models |
|---|--------|----|-----------|--------------|--------------|-------------|-----|--------|
| | | | <Rev.002> | <Rev.003> | | | | |
| | M1MM | 98 | ----- | LV45408-001A | LABEL(M2/R2) | (Addition) | 1 | 01 |
| | M1MM | 99 | ----- | LV45400-001A | LABEL(M2) | (Addition) | 1 | 02 |

FMU-XD3-22D DVD mechanism common [MUMM]

| △ | Symbol | or | Part No. | | Part Name | Description | Qty | Models |
|---|--------|----|-----------|----------------|-----------------|-------------|-----|--------|
| | | | <Rev.002> | <Rev.003> | | | | |
| | MUMM | 1 | ----- | LV11434-008A | FRAME UNIT | (Addition) | 1 | 01,02 |
| | MUMM | 2 | ----- | LV45021-001A | STOPPER | (Addition) | 1 | 01,02 |
| | MUMM | 3 | ----- | LV44959-002A | SPECIAL SCREW | (Addition) | 1 | 01,02 |
| | MUMM | 4 | ----- | LV45249-002A | L A SPRING(R) 2 | (Addition) | 1 | 01,02 |
| | MUMM | 5 | ----- | LV37639-002A | L ARM HOLDER | (Addition) | 1 | 01,02 |
| | MUMM | 6 | ----- | VKZ4539-054 | MINI SCREW | (Addition) | 2 | 01,02 |
| | MUMM | 7 | ----- | LV37640-001A | DAMPER(R) | (Addition) | 1 | 01,02 |
| | MUMM | 8 | ----- | LV37641-001A | DAMPER(F) | (Addition) | 2 | 01,02 |
| | MUMM | 9 | ----- | LV45074-001A | DAMPER SPRING B | (Addition) | 2 | 01,02 |
| | MUMM | 10 | ----- | LV45073-001A | DAMPER SPRING A | (Addition) | 1 | 01,02 |
| | MUMM | 11 | ----- | LV44897-002A | FLOATING SPRING | (Addition) | 1 | 01,02 |
| | MUMM | 12 | ----- | LV44894-001A | LOCK SLIDER SPR | (Addition) | 1 | 01,02 |
| | MUMM | 13 | ----- | LV11436-001A | MOTOR HOLDER | (Addition) | 1 | 01,02 |
| | MUMM | 14 | ----- | LV45135-001A | MINI TAP SCREW | (Addition) | 2 | 01,02 |
| | MUMM | 15 | ----- | QAR0465-001 | LOADING MOTOR | (Addition) | 1 | 01,02 |
| | MUMM | 16 | ----- | QYSPSPU1425MA | SCREW | (Addition) | 2 | 01,02 |
| | MUMM | 17 | ----- | LV37642-001A | MOTOR TH SPRING | (Addition) | 1 | 01,02 |
| | MUMM | 18 | ----- | LV37643-001A | MOTOR WORM | (Addition) | 1 | 01,02 |
| | MUMM | 19 | ----- | LV37644-002A | M WHEEL GEAR | (Addition) | 1 | 01,02 |
| | MUMM | 20 | ----- | LV37645-002A | M CONNECT GEAR | (Addition) | 1 | 01,02 |
| | MUMM | 21 | ----- | LV37646-001A | A WORM GEAR | (Addition) | 1 | 01,02 |
| | MUMM | 22 | ----- | LV37647-001A | A WHEEL GEAR | (Addition) | 1 | 01,02 |
| | MUMM | 23 | ----- | LV37648-001A | ACT GEAR | (Addition) | 1 | 01,02 |
| | MUMM | 24 | ----- | LV37649-001A | A CONNECT GAER | (Addition) | 1 | 01,02 |
| | MUMM | 25 | ----- | LV37650-001A | LOAD GAER | (Addition) | 1 | 01,02 |
| | MUMM | 26 | ----- | LV22553-003A | GEAR BASE | (Addition) | 1 | 01,02 |
| | MUMM | 27 | ----- | VKZ4539-054 | MINI SCREW | (Addition) | 2 | 01,02 |
| | MUMM | 28 | ----- | LV37688-002A | SLIDE CAM ASSY | (Addition) | 1 | 01,02 |
| | MUMM | 29 | ----- | LV45090-001A | S.CAM SPRING | (Addition) | 1 | 01,02 |
| | MUMM | 30 | ----- | LV11437-003A | TOP COVER | (Addition) | 1 | 01,02 |
| | MUMM | 31 | ----- | LV45157-001A | SPACER | (Addition) | 1 | 01,02 |
| | MUMM | 32 | ----- | LV11600-001A | DISC PLATE 2 | (Addition) | 1 | 01,02 |
| | MUMM | 33 | ----- | WJM0515-001A-E | E-SI C WIRE C-F | (Addition) | 1 | 01,02 |
| | MUMM | 34 | ----- | LV44586-001A | SPECIAL SCREW | (Addition) | 1 | 01,02 |
| | MUMM | 35 | ----- | LV22735-001A | LOADING A AS 2 | (Addition) | 1 | 01,02 |
| | MUMM | 36 | ----- | LV44902-002A | ROLLER | (Addition) | 2 | 01,02 |
| | MUMM | 37 | ----- | LV45244-001A | ROLLER SHAFT 2 | (Addition) | 1 | 01,02 |
| | MUMM | 38 | ----- | LV37652-002A | SHAFT GUIDE | (Addition) | 1 | 01,02 |
| | MUMM | 39 | ----- | LV45252-001A | WASHER | (Addition) | 2 | 01,02 |

| △ | Symbol | or | Part No. | | Part Name | Description | Qty | Models |
|---|--------|----|-----------|--------------|-----------------|-------------|-----|--------|
| | | | <Rev.002> | <Rev.003> | | | | |
| | MUMM | 40 | ----- | LV44960-001A | SLIT WASHER | (Addition) | 2 | 01,02 |
| | MUMM | 41 | ----- | LV44904-001A | ROLLER COLLAR L | (Addition) | 1 | 01,02 |
| | MUMM | 42 | ----- | LV45221-001A | R. COLLAR R2 | (Addition) | 1 | 01,02 |
| | MUMM | 43 | ----- | LV45235-001A | L ARM ROD | (Addition) | 1 | 01,02 |
| | MUMM | 44 | ----- | LV37653-001A | CONNECT GEAR | (Addition) | 1 | 01,02 |
| | MUMM | 45 | ----- | LV37654-001A | MIDDLE GEAR | (Addition) | 1 | 01,02 |
| | MUMM | 46 | ----- | QYWDL1735250 | SLIT WASHER | (Addition) | 1 | 01,02 |
| | MUMM | 47 | ----- | LV37655-001A | ROLLER GAER | (Addition) | 1 | 01,02 |
| | MUMM | 48 | ----- | LV45248-001A | L A SPRING(L) 2 | (Addition) | 1 | 01,02 |
| | MUMM | 49 | ----- | VKZ4539-054 | MINI SCREW | (Addition) | 5 | 01,02 |
| | MUMM | 50 | ----- | CM-FMUXD3D | TRA MECHA UNIT | (Addition) | 1 | 01,02 |
| | MUMM | 51 | ----- | LV44910-002A | CLAMPER SPRING | (Addition) | 1 | 01,02 |
| | MUMM | 52 | ----- | LV45289-002A | SPACER(P) | (Addition) | 1 | 01,02 |
| | MUMM | 53 | ----- | VKZ4539-054 | MINI SCREW | (Addition) | 2 | 01,02 |

FMU-XD3-21D Front end board Old All models [05]

| △ | Symbol | or | Part No. | | Part Name | Description | Qty | Models |
|---|--------|-------|-----------------|-----------|-----------|-------------|-----|--------|
| | | | <Rev.002> | <Rev.003> | | | | |
| | 05 | IC398 | EN29LV320AT70TP | JVM4401 | IC | | 1 | 01,02 |

FMU-XD3-22D Front end board common [05]

| △ | Symbol | or | Part No. | | Part Name | Description | Qty | Models |
|---|--------|-------|-----------|-----------------|------------------|-------------|-----|--------|
| | | | <Rev.002> | <Rev.003> | | | | |
| | 05 | IC1 | ----- | BD8215EFV-X | IC | (Addition) | 1 | 01,02 |
| | 05 | IC3 | ----- | MM3233CF-X | IC | (Addition) | 1 | 01,02 |
| | 05 | IC301 | ----- | MN2DS0018MA | IC | (Addition) | 1 | 01,02 |
| | 05 | IC302 | ----- | MM1701CH-X | IC | (Addition) | 1 | 01,02 |
| | 05 | IC304 | ----- | S-80828CNNB-G-W | IC | (Addition) | 1 | 01,02 |
| | 05 | IC398 | ----- | JVM440B | IC | (Addition) | 1 | 01,02 |
| | 05 | IC399 | ----- | V54C3128164VCI7 | IC | (Addition) | 1 | 01,02 |
| | 05 | IC399 | or | HY57V281620FTH | IC(DIGITAL) | (Addition) | 1 | 01,02 |
| | 05 | IC400 | ----- | AK4387ET-X | IC | (Addition) | 1 | 01,02 |
| | 05 | IC481 | ----- | BR24S32FVT-W-X | IC(DIGITAL) | (Addition) | 1 | 01,02 |
| | 05 | IC501 | ----- | TC74LCX373FT-X | IC(DIGITAL) | (Addition) | 1 | 01,02 |
| | 05 | IC502 | ----- | TC74LCX373FT-X | IC(DIGITAL) | (Addition) | 1 | 01,02 |
| | 05 | Q2 | ----- | RT1N141U-X | DIGI TRANSISTOR | (Addition) | 1 | 01,02 |
| | 05 | Q4 | ----- | 2SC3928A/R/-X | TRANSISTOR | (Addition) | 1 | 01,02 |
| | 05 | Q4 | or | 2SD601A/R/-X | TRANSISTOR | (Addition) | 1 | 01,02 |
| | 05 | Q7 | ----- | 2SC3928A/R/-X | TRANSISTOR | (Addition) | 1 | 01,02 |
| | 05 | Q7 | or | 2SD601A/R/-X | TRANSISTOR | (Addition) | 1 | 01,02 |
| | 05 | Q101 | ----- | 2SB1424/R/-W | TRANSISTOR | (Addition) | 1 | 01,02 |
| | 05 | Q102 | ----- | 2SC4617/R/-X | TRANSISTOR | (Addition) | 1 | 01,02 |
| | 05 | Q103 | ----- | 2SB1424/R/-W | TRANSISTOR | (Addition) | 1 | 01,02 |
| | 05 | Q104 | ----- | 2SC4617/R/-X | TRANSISTOR | (Addition) | 1 | 01,02 |
| | 05 | Q105 | ----- | 2SC4617/R/-X | TRANSISTOR | (Addition) | 1 | 01,02 |
| | 05 | Q106 | ----- | 2SK3546J-X | MOS FET | (Addition) | 1 | 01,02 |
| | 05 | Q107 | ----- | 2SK3546J-X | MOS FET | (Addition) | 1 | 01,02 |
| | 05 | Q301 | ----- | RT1N441U-X | DIGI TRANSISTOR | (Addition) | 1 | 01,02 |
| | 05 | Q302 | ----- | RT1N441U-X | DIGI TRANSISTOR | (Addition) | 1 | 01,02 |
| | 05 | D6 | ----- | AN1102W-6-X | IR LED | (Addition) | 1 | 01,02 |
| | 05 | D7 | ----- | AN1102W-6-X | IR LED | (Addition) | 1 | 01,02 |
| | 05 | D9 | ----- | PS1192HB-22-X | PHOTO TRANSISTOR | (Addition) | 1 | 01,02 |
| | 05 | D11 | ----- | PS1192HB-22-X | PHOTO TRANSISTOR | (Addition) | 1 | 01,02 |
| | 05 | C2 | ----- | NCB31CK-104X | C CAPACITOR | (Addition) | 1 | 01,02 |
| | 05 | C3 | ----- | NCB31CK-104X | C CAPACITOR | (Addition) | 1 | 01,02 |
| | 05 | C4 | ----- | NCB31CK-104X | C CAPACITOR | (Addition) | 1 | 01,02 |
| | 05 | C5 | ----- | NCB31CK-104X | C CAPACITOR | (Addition) | 1 | 01,02 |
| | 05 | C6 | ----- | NCB31CK-104X | C CAPACITOR | (Addition) | 1 | 01,02 |
| | 05 | C7 | ----- | NCB31CK-104X | C CAPACITOR | (Addition) | 1 | 01,02 |
| | 05 | C8 | ----- | NCB31CK-104X | C CAPACITOR | (Addition) | 1 | 01,02 |
| | 05 | C9 | ----- | NCB31CK-104X | C CAPACITOR | (Addition) | 1 | 01,02 |
| | 05 | C11 | ----- | NCB31CK-104X | C CAPACITOR | (Addition) | 1 | 01,02 |
| | 05 | C12 | ----- | NCB31CK-104X | C CAPACITOR | (Addition) | 1 | 01,02 |
| | 05 | C13 | ----- | NCB31CK-104X | C CAPACITOR | (Addition) | 1 | 01,02 |
| | 05 | C14 | ----- | NCB31CK-104X | C CAPACITOR | (Addition) | 1 | 01,02 |
| | 05 | C15 | ----- | NCB31CK-104X | C CAPACITOR | (Addition) | 1 | 01,02 |
| | 05 | C16 | ----- | NCB31CK-104X | C CAPACITOR | (Addition) | 1 | 01,02 |

| △ | Symbol | or | Part No. | | Part Name | Description | Qty | Models |
|----|--------|----|-----------|--------------|----------------|-------------|-----|--------|
| | | | <Rev.002> | <Rev.003> | | | | |
| 05 | C17 | | ----- | NCB31CK-104X | C CAPACITOR | (Addition) | 1 | 01,02 |
| 05 | C18 | | ----- | NCB31CK-104X | C CAPACITOR | (Addition) | 1 | 01,02 |
| 05 | C19 | | ----- | NCB31CK-104X | C CAPACITOR | (Addition) | 1 | 01,02 |
| 05 | C20 | | ----- | NCB31CK-104X | C CAPACITOR | (Addition) | 1 | 01,02 |
| 05 | C21 | | ----- | NBE41AM-226X | TA E CAPACITOR | (Addition) | 1 | 01,02 |
| 05 | C22 | | ----- | NBE41AM-476X | TA E CAPACITOR | (Addition) | 1 | 01,02 |
| 05 | C23 | | ----- | NBE41AM-476X | TA E CAPACITOR | (Addition) | 1 | 01,02 |
| 05 | C24 | | ----- | NCB31CK-104X | C CAPACITOR | (Addition) | 1 | 01,02 |
| 05 | C25 | | ----- | NCB31CK-104X | C CAPACITOR | (Addition) | 1 | 01,02 |
| 05 | C26 | | ----- | NCB31CK-104X | C CAPACITOR | (Addition) | 1 | 01,02 |
| 05 | C31 | | ----- | NCB31HK-681X | C CAPACITOR | (Addition) | 1 | 01,02 |
| 05 | C32 | | ----- | NCB31HK-561X | C CAPACITOR | (Addition) | 1 | 01,02 |
| 05 | C60 | | ----- | NCB31HK-103X | C CAPACITOR | (Addition) | 1 | 01,02 |
| 05 | C63 | | ----- | NBE20JM-226X | TA E CAPACITOR | (Addition) | 1 | 01,02 |
| 05 | C65 | | ----- | NCB31CK-104X | C CAPACITOR | (Addition) | 1 | 01,02 |
| 05 | C66 | | ----- | NCB31CK-104X | C CAPACITOR | (Addition) | 1 | 01,02 |
| 05 | C67 | | ----- | NCB31HK-103X | C CAPACITOR | (Addition) | 1 | 01,02 |
| 05 | C68 | | ----- | NCB31CK-104X | C CAPACITOR | (Addition) | 1 | 01,02 |
| 05 | C69 | | ----- | NCB21CK-105X | C CAPACITOR | (Addition) | 1 | 01,02 |
| 05 | C70 | | ----- | NCB31CK-104X | C CAPACITOR | (Addition) | 1 | 01,02 |
| 05 | C71 | | ----- | NCB31CK-104X | C CAPACITOR | (Addition) | 1 | 01,02 |
| 05 | C72 | | ----- | NCB31CK-105X | C CAPACITOR | (Addition) | 1 | 01,02 |
| 05 | C73 | | ----- | NCB31CK-104X | C CAPACITOR | (Addition) | 1 | 01,02 |
| 05 | C74 | | ----- | NCB31CK-104X | C CAPACITOR | (Addition) | 1 | 01,02 |
| 05 | C75 | | ----- | NCB31CK-104X | C CAPACITOR | (Addition) | 1 | 01,02 |
| 05 | C76 | | ----- | NCB31CK-104X | C CAPACITOR | (Addition) | 1 | 01,02 |
| 05 | C77 | | ----- | NCB31CK-104X | C CAPACITOR | (Addition) | 1 | 01,02 |
| 05 | C78 | | ----- | NCB31CK-104X | C CAPACITOR | (Addition) | 1 | 01,02 |
| 05 | C79 | | ----- | NCB31CK-104X | C CAPACITOR | (Addition) | 1 | 01,02 |
| 05 | C80 | | ----- | NCB21CK-105X | C CAPACITOR | (Addition) | 1 | 01,02 |
| 05 | C81 | | ----- | NDC31HJ-120X | C CAPACITOR | (Addition) | 1 | 01,02 |
| 05 | C82 | | ----- | NDC31HJ-150X | C CAPACITOR | (Addition) | 1 | 01,02 |
| 05 | C83 | | ----- | NCB31CK-104X | C CAPACITOR | (Addition) | 1 | 01,02 |
| 05 | C84 | | ----- | NCB31CK-333X | C CAPACITOR | (Addition) | 1 | 01,02 |
| 05 | C85 | | ----- | NCB31CK-104X | C CAPACITOR | (Addition) | 1 | 01,02 |
| 05 | C86 | | ----- | NCB31CK-104X | C CAPACITOR | (Addition) | 1 | 01,02 |
| 05 | C87 | | ----- | NCB31CK-104X | C CAPACITOR | (Addition) | 1 | 01,02 |
| 05 | C88 | | ----- | NCB31CK-104X | C CAPACITOR | (Addition) | 1 | 01,02 |
| 05 | C89 | | ----- | NCB31HK-183X | C CAPACITOR | (Addition) | 1 | 01,02 |
| 05 | C90 | | ----- | NCB31HK-562X | C CAPACITOR | (Addition) | 1 | 01,02 |
| 05 | C91 | | ----- | NCB31CK-104X | C CAPACITOR | (Addition) | 1 | 01,02 |
| 05 | C92 | | ----- | NCB21CK-105X | C CAPACITOR | (Addition) | 1 | 01,02 |
| 05 | C93 | | ----- | NCB21CK-105X | C CAPACITOR | (Addition) | 1 | 01,02 |
| 05 | C99 | | ----- | NCB31CK-104X | C CAPACITOR | (Addition) | 1 | 01,02 |
| 05 | C100 | | ----- | NCB31CK-684X | C CAPACITOR | (Addition) | 1 | 01,02 |
| 05 | C101 | | ----- | NCB31CK-104X | C CAPACITOR | (Addition) | 1 | 01,02 |
| 05 | C102 | | ----- | NCB31CK-684X | C CAPACITOR | (Addition) | 1 | 01,02 |
| 05 | C106 | | ----- | NCB31CK-104X | C CAPACITOR | (Addition) | 1 | 01,02 |
| 05 | C109 | | ----- | NCB21CK-105X | C CAPACITOR | (Addition) | 1 | 01,02 |
| 05 | C113 | | ----- | NCB21CK-105X | C CAPACITOR | (Addition) | 1 | 01,02 |
| 05 | C117 | | ----- | NCB21CK-105X | C CAPACITOR | (Addition) | 1 | 01,02 |
| 05 | C118 | | ----- | NCB31HK-103X | C CAPACITOR | (Addition) | 1 | 01,02 |
| 05 | C121 | | ----- | NCB31CK-104X | C CAPACITOR | (Addition) | 1 | 01,02 |
| 05 | C122 | | ----- | NCB31CK-104X | C CAPACITOR | (Addition) | 1 | 01,02 |
| 05 | C125 | | ----- | NCB31CK-104X | C CAPACITOR | (Addition) | 1 | 01,02 |
| 05 | C126 | | ----- | NCB31CK-104X | C CAPACITOR | (Addition) | 1 | 01,02 |
| 05 | C127 | | ----- | NCB31CK-104X | C CAPACITOR | (Addition) | 1 | 01,02 |
| 05 | C128 | | ----- | NCB31CK-104X | C CAPACITOR | (Addition) | 1 | 01,02 |
| 05 | C129 | | ----- | NCB31CK-104X | C CAPACITOR | (Addition) | 1 | 01,02 |
| 05 | C130 | | ----- | NCB31CK-104X | C CAPACITOR | (Addition) | 1 | 01,02 |
| 05 | C131 | | ----- | NCB31CK-104X | C CAPACITOR | (Addition) | 1 | 01,02 |
| 05 | C132 | | ----- | NCB31CK-104X | C CAPACITOR | (Addition) | 1 | 01,02 |
| 05 | C133 | | ----- | NCB31CK-104X | C CAPACITOR | (Addition) | 1 | 01,02 |
| 05 | C134 | | ----- | NCB31CK-104X | C CAPACITOR | (Addition) | 1 | 01,02 |
| 05 | C135 | | ----- | NCB31CK-104X | C CAPACITOR | (Addition) | 1 | 01,02 |
| 05 | C136 | | ----- | NCB31CK-104X | C CAPACITOR | (Addition) | 1 | 01,02 |
| 05 | C137 | | ----- | NBE20JM-226X | TA E CAPACITOR | (Addition) | 1 | 01,02 |
| 05 | C139 | | ----- | NBE20JM-226X | TA E CAPACITOR | (Addition) | 1 | 01,02 |

| △ | Symbol | or | Part No. | | Part Name | Description | Qty | Models |
|----|--------|----|-----------|--------------|----------------|-------------|-----|--------|
| | | | <Rev.002> | <Rev.003> | | | | |
| 05 | C142 | | ----- | NDC31HJ-471X | C CAPACITOR | (Addition) | 1 | 01,02 |
| 05 | C143 | | ----- | NBE20JM-226X | TA E CAPACITOR | (Addition) | 1 | 01,02 |
| 05 | C145 | | ----- | NBE41AM-476X | TA E CAPACITOR | (Addition) | 1 | 01,02 |
| 05 | C148 | | ----- | NCB31HK-331X | C CAPACITOR | (Addition) | 1 | 01,02 |
| 05 | C149 | | ----- | NDC31HJ-471X | C CAPACITOR | (Addition) | 1 | 01,02 |
| 05 | C151 | | ----- | NCB31CK-473X | C CAPACITOR | (Addition) | 1 | 01,02 |
| 05 | C155 | | ----- | NDC31HJ-101X | C CAPACITOR | (Addition) | 1 | 01,02 |
| 05 | C156 | | ----- | NCB31CK-104X | C CAPACITOR | (Addition) | 1 | 01,02 |
| 05 | C161 | | ----- | NDC31HJ-471X | C CAPACITOR | (Addition) | 1 | 01,02 |
| 05 | C162 | | ----- | NDC31HJ-471X | C CAPACITOR | (Addition) | 1 | 01,02 |
| 05 | C164 | | ----- | NCB21CK-105X | C CAPACITOR | (Addition) | 1 | 01,02 |
| 05 | C167 | | ----- | NDC31HJ-272X | C CAPACITOR | (Addition) | 1 | 01,02 |
| 05 | C170 | | ----- | NCB31CK-104X | C CAPACITOR | (Addition) | 1 | 01,02 |
| 05 | C173 | | ----- | NCB31CK-104X | C CAPACITOR | (Addition) | 1 | 01,02 |
| 05 | C174 | | ----- | NCB31CK-104X | C CAPACITOR | (Addition) | 1 | 01,02 |
| 05 | C175 | | ----- | NBE51CM-476X | TA E CAPACITOR | (Addition) | 1 | 01,02 |
| 05 | C176 | | ----- | NCB31CK-104X | C CAPACITOR | (Addition) | 1 | 01,02 |
| 05 | C177 | | ----- | NCB31CK-104X | C CAPACITOR | (Addition) | 1 | 01,02 |
| 05 | C178 | | ----- | NCB31CK-104X | C CAPACITOR | (Addition) | 1 | 01,02 |
| 05 | C197 | | ----- | NCB31CK-104X | C CAPACITOR | (Addition) | 1 | 01,02 |
| 05 | C199 | | ----- | NCB31CK-104X | C CAPACITOR | (Addition) | 1 | 01,02 |
| 05 | C200 | | ----- | NBE40JM-476X | TA E CAPACITOR | (Addition) | 1 | 01,02 |
| 05 | C201 | | ----- | NCB31CK-104X | C CAPACITOR | (Addition) | 1 | 01,02 |
| 05 | C205 | | ----- | NCB21AK-225X | C CAPACITOR | (Addition) | 1 | 01,02 |
| 05 | C206 | | ----- | NDC31HJ-222X | C CAPACITOR | (Addition) | 1 | 01,02 |
| 05 | C211 | | ----- | NCB31CK-104X | C CAPACITOR | (Addition) | 1 | 01,02 |
| 05 | C215 | | ----- | NDC31HJ-181X | C CAPACITOR | (Addition) | 1 | 01,02 |
| 05 | C216 | | ----- | NCB31CK-104X | C CAPACITOR | (Addition) | 1 | 01,02 |
| 05 | C218 | | ----- | NCB31CK-104X | C CAPACITOR | (Addition) | 1 | 01,02 |
| 05 | C219 | | ----- | NCB31CK-223X | C CAPACITOR | (Addition) | 1 | 01,02 |
| 05 | C220 | | ----- | NCB31HK-102X | C CAPACITOR | (Addition) | 1 | 01,02 |
| 05 | C222 | | ----- | NCB31CK-104X | C CAPACITOR | (Addition) | 1 | 01,02 |
| 05 | C223 | | ----- | NCB31HK-102X | C CAPACITOR | (Addition) | 1 | 01,02 |
| 05 | C224 | | ----- | NCB21AK-225X | C CAPACITOR | (Addition) | 1 | 01,02 |
| 05 | C225 | | ----- | NBE51CM-476X | TA E CAPACITOR | (Addition) | 1 | 01,02 |
| 05 | C228 | | ----- | NCB31HK-102X | C CAPACITOR | (Addition) | 1 | 01,02 |
| 05 | C229 | | ----- | NCB31CK-223X | C CAPACITOR | (Addition) | 1 | 01,02 |
| 05 | C232 | | ----- | NBE51CM-476X | TA E CAPACITOR | (Addition) | 1 | 01,02 |
| 05 | C233 | | ----- | NCB21CK-105X | C CAPACITOR | (Addition) | 1 | 01,02 |
| 05 | C235 | | ----- | NCB31HK-102X | C CAPACITOR | (Addition) | 1 | 01,02 |
| 05 | C237 | | ----- | NDC31HJ-221X | C CAPACITOR | (Addition) | 1 | 01,02 |
| 05 | C238 | | ----- | NCB31CK-104X | C CAPACITOR | (Addition) | 1 | 01,02 |
| 05 | C240 | | ----- | NCB31CK-104X | C CAPACITOR | (Addition) | 1 | 01,02 |
| 05 | C241 | | ----- | NCB31CK-104X | C CAPACITOR | (Addition) | 1 | 01,02 |
| 05 | R34 | | ----- | NRSA63J-0R0X | MG RESISTOR | (Addition) | 1 | 01,02 |
| 05 | R46 | | ----- | NRSA6AD-103W | MG RESISTOR | (Addition) | 1 | 01,02 |
| 05 | R47 | | ----- | NRSA6AD-103W | MG RESISTOR | (Addition) | 1 | 01,02 |
| 05 | R49 | | ----- | NRSA63J-0R0X | MG RESISTOR | (Addition) | 1 | 01,02 |
| 05 | R52 | | ----- | NRSA6AD-103W | MG RESISTOR | (Addition) | 1 | 01,02 |
| 05 | R54 | | ----- | NRSA6AD-910W | MG RESISTOR | (Addition) | 1 | 01,02 |
| 05 | R55 | | ----- | NRSA6AD-910W | MG RESISTOR | (Addition) | 1 | 01,02 |
| 05 | R56 | | ----- | NRSA63D-432X | MG RESISTOR | (Addition) | 1 | 01,02 |
| 05 | R57 | | ----- | NRSA63D-242X | MG RESISTOR | (Addition) | 1 | 01,02 |
| 05 | R58 | | ----- | NRS125J-390X | MG RESISTOR | (Addition) | 1 | 01,02 |
| 05 | R59 | | ----- | NRSA63J-2R2X | MG RESISTOR | (Addition) | 1 | 01,02 |
| 05 | R60 | | ----- | NRSA6AD-102W | MG RESISTOR | (Addition) | 1 | 01,02 |
| 05 | R61 | | ----- | NRSA6AD-471W | MG RESISTOR | (Addition) | 1 | 01,02 |
| 05 | R62 | | ----- | NRSA6AD-471W | MG RESISTOR | (Addition) | 1 | 01,02 |
| 05 | R64 | | ----- | NRSA63D-432X | MG RESISTOR | (Addition) | 1 | 01,02 |
| 05 | R65 | | ----- | NRSA63D-242X | MG RESISTOR | (Addition) | 1 | 01,02 |
| 05 | R66 | | ----- | NRS125J-120X | MG RESISTOR | (Addition) | 1 | 01,02 |
| 05 | R67 | | ----- | NRSA63J-2R2X | MG RESISTOR | (Addition) | 1 | 01,02 |
| 05 | R68 | | ----- | NRSA6AD-102W | MG RESISTOR | (Addition) | 1 | 01,02 |
| 05 | R69 | | ----- | NRSA63J-471X | MG RESISTOR | (Addition) | 1 | 01,02 |
| 05 | R70 | | ----- | NRSA6AD-331W | MG RESISTOR | (Addition) | 1 | 01,02 |
| 05 | R79 | | ----- | NRSA6AD-104W | MG RESISTOR | (Addition) | 1 | 01,02 |
| 05 | R92 | | ----- | NRSA63J-473X | MG RESISTOR | (Addition) | 1 | 01,02 |
| 05 | R93 | | ----- | NRSA63J-203X | MG RESISTOR | (Addition) | 1 | 01,02 |

| △ | Symbol | or | Part No. | | Part Name | Description | Qty | Models |
|----|--------|----|-----------|--------------|---------------|-------------|-----|--------|
| | | | <Rev.002> | <Rev.003> | | | | |
| 05 | R94 | | ----- | NRSA63J-223X | MG RESISTOR | (Addition) | 1 | 01,02 |
| 05 | R99 | | ----- | NRSA63J-0R0X | MG RESISTOR | (Addition) | 1 | 01,02 |
| 05 | R100 | | ----- | NRSA6AD-103W | MG RESISTOR | (Addition) | 1 | 01,02 |
| 05 | R107 | | ----- | NRSA63J-152X | MG RESISTOR | (Addition) | 1 | 01,02 |
| 05 | R112 | | ----- | NRSA63J-223X | MG RESISTOR | (Addition) | 1 | 01,02 |
| 05 | R117 | | ----- | NRSA6AD-103W | MG RESISTOR | (Addition) | 1 | 01,02 |
| 05 | R120 | | ----- | NRSA63J-152X | MG RESISTOR | (Addition) | 1 | 01,02 |
| 05 | R122 | | ----- | NRSA6AD-103W | MG RESISTOR | (Addition) | 1 | 01,02 |
| 05 | R128 | | ----- | NRSA6AD-270W | MG RESISTOR | (Addition) | 1 | 01,02 |
| 05 | R129 | | ----- | NRSA6AD-103W | MG RESISTOR | (Addition) | 1 | 01,02 |
| 05 | R131 | | ----- | NRSA6AD-102W | MG RESISTOR | (Addition) | 1 | 01,02 |
| 05 | R132 | | ----- | NRSA6AD-102W | MG RESISTOR | (Addition) | 1 | 01,02 |
| 05 | R133 | | ----- | NRSA6AD-223W | MG RESISTOR | (Addition) | 1 | 01,02 |
| 05 | R135 | | ----- | NRSA63J-102X | MG RESISTOR | (Addition) | 1 | 01,02 |
| 05 | R137 | | ----- | NRSA63J-0R0X | MG RESISTOR | (Addition) | 1 | 01,02 |
| 05 | R139 | | ----- | NRSA63J-0R0X | MG RESISTOR | (Addition) | 1 | 01,02 |
| 05 | R141 | | ----- | NRSA63D-332X | MG RESISTOR | (Addition) | 1 | 01,02 |
| 05 | R142 | | ----- | NRSA63J-0R0X | MG RESISTOR | (Addition) | 1 | 01,02 |
| 05 | R143 | | ----- | NRSA6AD-101W | MG RESISTOR | (Addition) | 1 | 01,02 |
| 05 | R144 | | ----- | NRSA6AD-103W | MG RESISTOR | (Addition) | 1 | 01,02 |
| 05 | R145 | | ----- | NRSA6AD-103W | MG RESISTOR | (Addition) | 1 | 01,02 |
| 05 | R147 | | ----- | NRSA63J-104X | MG RESISTOR | (Addition) | 1 | 01,02 |
| 05 | R152 | | ----- | NRSA63J-0R0X | MG RESISTOR | (Addition) | 1 | 01,02 |
| 05 | R153 | | ----- | NRSA63D-162X | MG RESISTOR | (Addition) | 1 | 01,02 |
| 05 | R155 | | ----- | NRSA63J-0R0X | MG RESISTOR | (Addition) | 1 | 01,02 |
| 05 | R156 | | ----- | NRSA63J-0R0X | MG RESISTOR | (Addition) | 1 | 01,02 |
| 05 | R160 | | ----- | NRSA63D-303X | MG RESISTOR | (Addition) | 1 | 01,02 |
| 05 | R163 | | ----- | NRSA6AD-103W | MG RESISTOR | (Addition) | 1 | 01,02 |
| 05 | R164 | | ----- | NRSA63J-181X | MG RESISTOR | (Addition) | 1 | 01,02 |
| 05 | R165 | | ----- | NRSA6AD-473W | MG RESISTOR | (Addition) | 1 | 01,02 |
| 05 | R166 | | ----- | NRSA6AD-473W | MG RESISTOR | (Addition) | 1 | 01,02 |
| 05 | R167 | | ----- | NRSA6AD-473W | MG RESISTOR | (Addition) | 1 | 01,02 |
| 05 | R168 | | ----- | NRSA6AD-473W | MG RESISTOR | (Addition) | 1 | 01,02 |
| 05 | R170 | | ----- | NRSA6AD-471W | MG RESISTOR | (Addition) | 1 | 01,02 |
| 05 | R171 | | ----- | NRSA63J-105X | MG RESISTOR | (Addition) | 1 | 01,02 |
| 05 | R172 | | ----- | NRSA6AD-101W | MG RESISTOR | (Addition) | 1 | 01,02 |
| 05 | R173 | | ----- | NRSA6AD-101W | MG RESISTOR | (Addition) | 1 | 01,02 |
| 05 | R174 | | ----- | NRSA6AD-101W | MG RESISTOR | (Addition) | 1 | 01,02 |
| 05 | R177 | | ----- | NRSA63J-0R0X | MG RESISTOR | (Addition) | 1 | 01,02 |
| 05 | R178 | | ----- | NRSA63J-0R0X | MG RESISTOR | (Addition) | 1 | 01,02 |
| 05 | R181 | | ----- | NQR0129-002X | FERRITE BEADS | (Addition) | 1 | 01,02 |
| 05 | R189 | | ----- | NRSA6AD-331W | MG RESISTOR | (Addition) | 1 | 01,02 |
| 05 | R190 | | ----- | NRSA6AD-331W | MG RESISTOR | (Addition) | 1 | 01,02 |
| 05 | R195 | | ----- | NRSA6AD-103W | MG RESISTOR | (Addition) | 1 | 01,02 |
| 05 | R201 | | ----- | NRSA63J-102X | MG RESISTOR | (Addition) | 1 | 01,02 |
| 05 | R205 | | ----- | NRSA6AD-103W | MG RESISTOR | (Addition) | 1 | 01,02 |
| 05 | R211 | | ----- | NRSA6AD-473W | MG RESISTOR | (Addition) | 1 | 01,02 |
| 05 | R213 | | ----- | NRSA63J-100X | MG RESISTOR | (Addition) | 1 | 01,02 |
| 05 | R215 | | ----- | NRSA63D-122X | MG RESISTOR | (Addition) | 1 | 01,02 |
| 05 | R216 | | ----- | NRSA63D-122X | MG RESISTOR | (Addition) | 1 | 01,02 |
| 05 | R217 | | ----- | NRSA6AD-100W | MG RESISTOR | (Addition) | 1 | 01,02 |
| 05 | R219 | | ----- | NRSA63J-150X | MG RESISTOR | (Addition) | 1 | 01,02 |
| 05 | R220 | | ----- | NRSA63J-0R0X | MG RESISTOR | (Addition) | 1 | 01,02 |
| 05 | R223 | | ----- | NRSA63J-4R7X | MG RESISTOR | (Addition) | 1 | 01,02 |
| 05 | R226 | | ----- | NRSA6AD-473W | MG RESISTOR | (Addition) | 1 | 01,02 |
| 05 | R229 | | ----- | NRSA63J-0R0X | MG RESISTOR | (Addition) | 1 | 01,02 |
| 05 | R233 | | ----- | NRSA6AD-103W | MG RESISTOR | (Addition) | 1 | 01,02 |
| 05 | R264 | | ----- | NRSA63J-0R0X | MG RESISTOR | (Addition) | 1 | 01,02 |
| 05 | R265 | | ----- | NRSA6AD-103W | MG RESISTOR | (Addition) | 1 | 01,02 |
| 05 | R267 | | ----- | NRSA63D-472X | MG RESISTOR | (Addition) | 1 | 01,02 |
| 05 | R268 | | ----- | NRSA63J-0R0X | MG RESISTOR | (Addition) | 1 | 01,02 |
| 05 | R309 | | ----- | NRS125J-R47X | MG RESISTOR | (Addition) | 1 | 01,02 |
| 05 | R310 | | ----- | NRSA6AD-333W | MG RESISTOR | (Addition) | 1 | 01,02 |
| 05 | R311 | | ----- | NRSA63J-391X | MG RESISTOR | (Addition) | 1 | 01,02 |
| 05 | R318 | | ----- | NRSA63J-203X | MG RESISTOR | (Addition) | 1 | 01,02 |
| 05 | R319 | | ----- | NRSA6AD-622W | MG RESISTOR | (Addition) | 1 | 01,02 |
| 05 | R323 | | ----- | NRSA6AD-391W | MG RESISTOR | (Addition) | 1 | 01,02 |
| 05 | R324 | | ----- | NRSA63D-682X | MG RESISTOR | (Addition) | 1 | 01,02 |

| △ | Symbol | or | Part No. | | Part Name | Description | Qty | Models |
|----|--------|----|-----------|---------------|---------------|-------------|-----|--------|
| | | | <Rev.002> | <Rev.003> | | | | |
| 05 | R325 | | ----- | NRSA63D-753X | MG RESISTOR | (Addition) | 1 | 01,02 |
| 05 | R329 | | ----- | NRS125J-R47X | MG RESISTOR | (Addition) | 1 | 01,02 |
| 05 | R330 | | ----- | NRSA63J-0R0X | MG RESISTOR | (Addition) | 1 | 01,02 |
| 05 | R352 | | ----- | NRSA6AD-102W | MG RESISTOR | (Addition) | 1 | 01,02 |
| 05 | R357 | | ----- | NRS125J-R22X | MG RESISTOR | (Addition) | 1 | 01,02 |
| 05 | R359 | | ----- | NRSA6AD-243W | MG RESISTOR | (Addition) | 1 | 01,02 |
| 05 | R362 | | ----- | NRSA63J-103X | MG RESISTOR | (Addition) | 1 | 01,02 |
| 05 | R364 | | ----- | NRSA63J-391X | MG RESISTOR | (Addition) | 1 | 01,02 |
| 05 | R365 | | ----- | NRSA6AD-103W | MG RESISTOR | (Addition) | 1 | 01,02 |
| 05 | R366 | | ----- | NRS125J-R22X | MG RESISTOR | (Addition) | 1 | 01,02 |
| 05 | R367 | | ----- | NRSA6AD-104W | MG RESISTOR | (Addition) | 1 | 01,02 |
| 05 | R369 | | ----- | NRS125J-R22X | MG RESISTOR | (Addition) | 1 | 01,02 |
| 05 | R371 | | ----- | NRSA63J-0R0X | MG RESISTOR | (Addition) | 1 | 01,02 |
| 05 | R375 | | ----- | NRSA6AD-152W | MG RESISTOR | (Addition) | 1 | 01,02 |
| 05 | R376 | | ----- | NRSA6AD-822W | MG RESISTOR | (Addition) | 1 | 01,02 |
| 05 | R379 | | ----- | NRSA63D-332X | MG RESISTOR | (Addition) | 1 | 01,02 |
| 05 | R380 | | ----- | NRSA63J-223X | MG RESISTOR | (Addition) | 1 | 01,02 |
| 05 | R382 | | ----- | NRSA6AD-102W | MG RESISTOR | (Addition) | 1 | 01,02 |
| 05 | R383 | | ----- | NRSA63J-223X | MG RESISTOR | (Addition) | 1 | 01,02 |
| 05 | R384 | | ----- | NRSA6AD-104W | MG RESISTOR | (Addition) | 1 | 01,02 |
| 05 | R386 | | ----- | NRSA6AD-184W | MG RESISTOR | (Addition) | 1 | 01,02 |
| 05 | R387 | | ----- | NRSA63D-473X | MG RESISTOR | (Addition) | 1 | 01,02 |
| 05 | R391 | | ----- | NRSA6AD-822W | MG RESISTOR | (Addition) | 1 | 01,02 |
| 05 | R392 | | ----- | NRSA63J-103X | MG RESISTOR | (Addition) | 1 | 01,02 |
| 05 | R393 | | ----- | NRSA6AD-103W | MG RESISTOR | (Addition) | 1 | 01,02 |
| 05 | R394 | | ----- | NRSA63J-273X | MG RESISTOR | (Addition) | 1 | 01,02 |
| 05 | R397 | | ----- | NRSA6AD-101W | MG RESISTOR | (Addition) | 1 | 01,02 |
| 05 | R400 | | ----- | NRSA6AD-153W | MG RESISTOR | (Addition) | 1 | 01,02 |
| 05 | R402 | | ----- | NRSA6AD-473W | MG RESISTOR | (Addition) | 1 | 01,02 |
| 05 | R403 | | ----- | NRSA63J-101X | MG RESISTOR | (Addition) | 1 | 01,02 |
| 05 | R406 | | ----- | NRS125J-R22X | MG RESISTOR | (Addition) | 1 | 01,02 |
| 05 | R417 | | ----- | NRSA63J-183X | MG RESISTOR | (Addition) | 1 | 01,02 |
| 05 | R419 | | ----- | NRSA63D-104X | MG RESISTOR | (Addition) | 1 | 01,02 |
| 05 | R420 | | ----- | NRSA6AD-184W | MG RESISTOR | (Addition) | 1 | 01,02 |
| 05 | L302 | | ----- | NQLJ6GK-100X | COIL | (Addition) | 1 | 01,02 |
| 05 | L303 | | ----- | NRSA02J-0R0X | MG RESISTOR | (Addition) | 1 | 01,02 |
| 05 | CN1 | | ----- | QGF0523F3-20W | CONNECTOR | (Addition) | 1 | 01,02 |
| 05 | CN2 | | ----- | QGA1002F1-03X | CONNECTOR | (Addition) | 1 | 01,02 |
| 05 | CN101 | | ----- | QGF0522F2-26W | CONNECTOR | (Addition) | 1 | 01,02 |
| 05 | CN403 | | ----- | QGF0534F3-50X | CONNECTOR | (Addition) | 1 | 01,02 |
| 05 | K101 | | ----- | NQR0007-002X | FERRITE BEADS | (Addition) | 1 | 01,02 |
| 05 | K102 | | ----- | NQR0007-002X | FERRITE BEADS | (Addition) | 1 | 01,02 |
| 05 | K103 | | ----- | NQR0502-001X | FERRITE BEADS | (Addition) | 1 | 01,02 |
| 05 | K108 | | ----- | NQR0129-002X | FERRITE BEADS | (Addition) | 1 | 01,02 |
| 05 | K113 | | ----- | NQR0502-001X | FERRITE BEADS | (Addition) | 1 | 01,02 |
| 05 | K114 | | ----- | NRSA63J-0R0X | MG RESISTOR | (Addition) | 1 | 01,02 |
| 05 | K115 | | ----- | NRSA63J-0R0X | MG RESISTOR | (Addition) | 1 | 01,02 |
| 05 | K117 | | ----- | NRSA63J-0R0X | MG RESISTOR | (Addition) | 1 | 01,02 |
| 05 | K118 | | ----- | NRSA63J-0R0X | MG RESISTOR | (Addition) | 1 | 01,02 |
| 05 | K119 | | ----- | NRSA63J-0R0X | MG RESISTOR | (Addition) | 1 | 01,02 |
| 05 | K120 | | ----- | NRSA63J-0R0X | MG RESISTOR | (Addition) | 1 | 01,02 |
| 05 | K121 | | ----- | NRSA63J-0R0X | MG RESISTOR | (Addition) | 1 | 01,02 |
| 05 | K131 | | ----- | NQR0022-005X | FERRITE BEADS | (Addition) | 1 | 01,02 |
| 05 | K132 | | ----- | NQR0022-005X | FERRITE BEADS | (Addition) | 1 | 01,02 |
| 05 | K133 | | ----- | NQR0022-005X | FERRITE BEADS | (Addition) | 1 | 01,02 |
| 05 | K135 | | ----- | NRSA63J-0R0X | MG RESISTOR | (Addition) | 1 | 01,02 |
| 05 | K136 | | ----- | NRSA63J-0R0X | MG RESISTOR | (Addition) | 1 | 01,02 |
| 05 | K137 | | ----- | NRSA63J-0R0X | MG RESISTOR | (Addition) | 1 | 01,02 |
| 05 | K141 | | ----- | NRSA63J-0R0X | MG RESISTOR | (Addition) | 1 | 01,02 |
| 05 | K142 | | ----- | NRSA63J-0R0X | MG RESISTOR | (Addition) | 1 | 01,02 |
| 05 | S1 | | ----- | NSW0313-001X | DETECT SWITCH | (Addition) | 1 | 01,02 |
| 05 | TH491 | | ----- | NAD0025-103X | N THERMISTOR | (Addition) | 1 | 01,02 |
| 05 | X351 | | ----- | NAX0741-001X | CRYSTAL | (Addition) | 1 | 01,02 |



JVC

Victor Company of Japan, Limited

Mobile Entertainment Division 10-1,1chome,Ohwatari-machi,Maebashi-city,371-8543,Japan

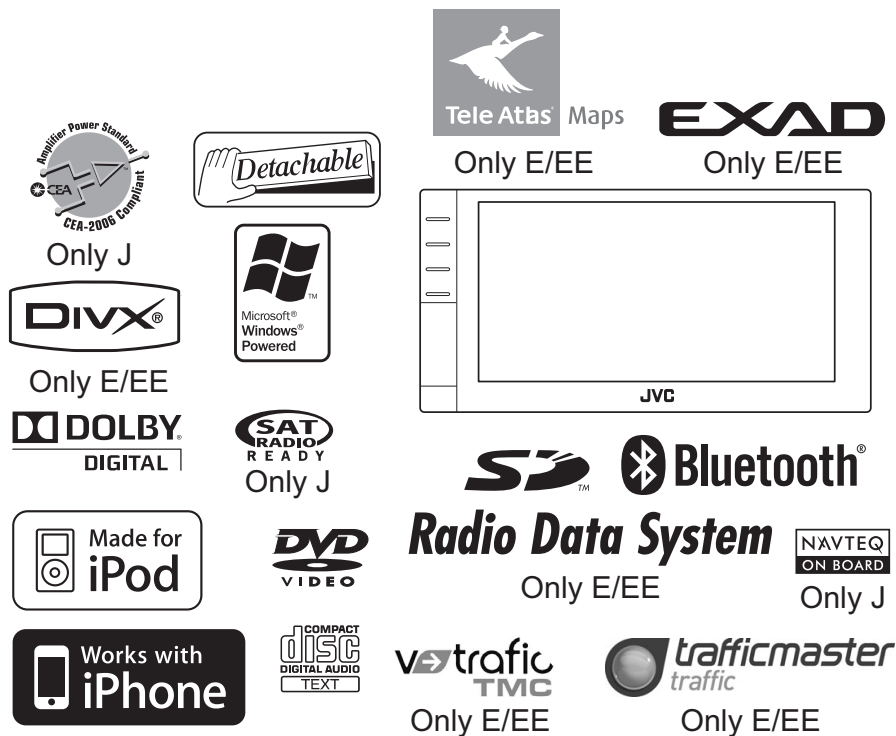
JVC

SCHEMATIC DIAGRAMS

GPS NAVIGATION SYSTEM

KW-NT1J, KW-NT1E

DVD-ROM No.SML2009S2



Lead free solder used in the board (material : Sn-Ag-Cu, melting point : 219 Centigrade)
Lead free solder used in the board (material : Sn-Cu, melting point : 230 Centigrade)

Contents

| | |
|-----------------------------------|------------|
| Block diagram | 2-1 |
| Standard schematic diagrams | 2-3 |
| Printed circuit boards | 2-17 to 22 |

Safety precaution

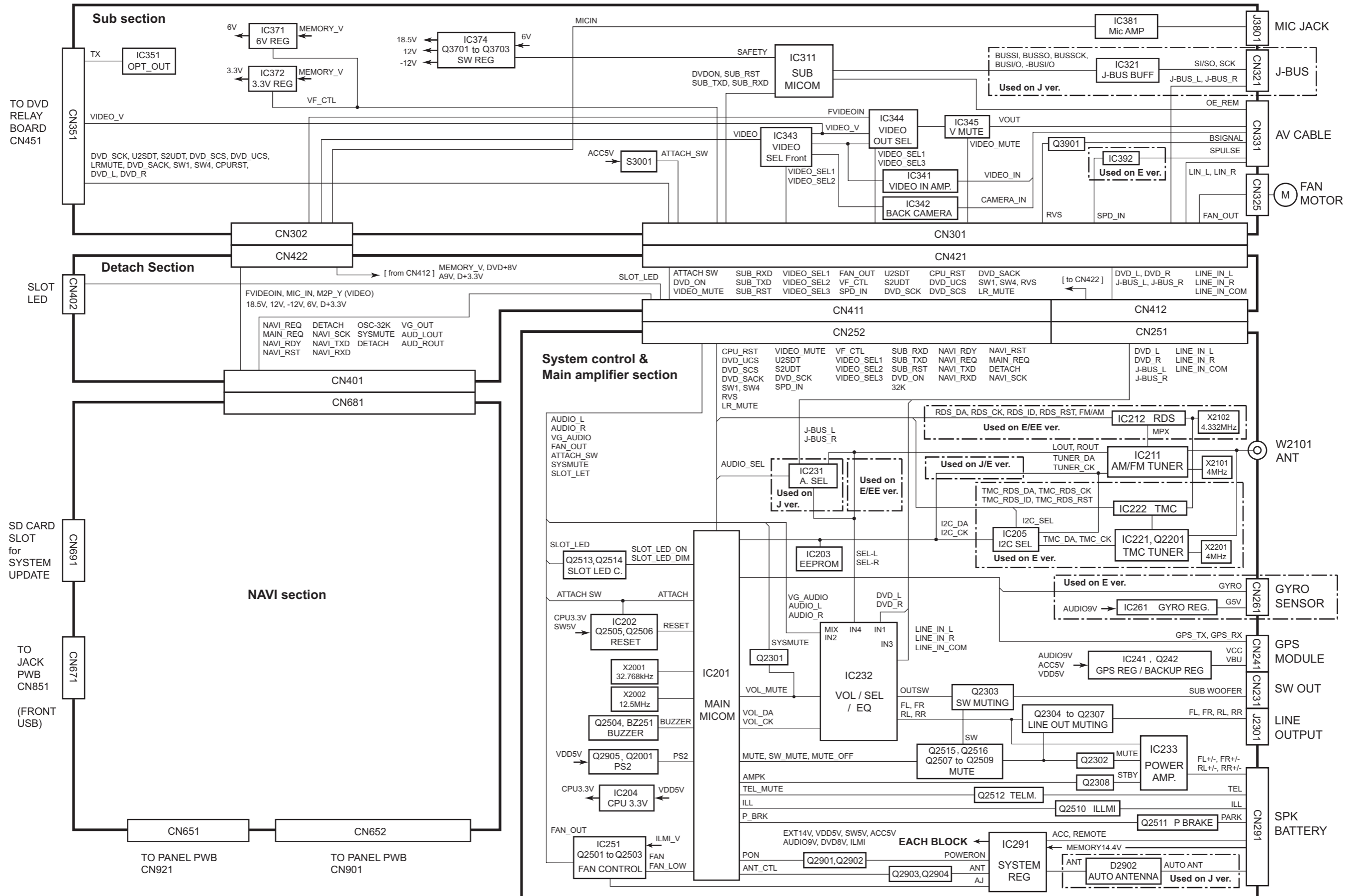


CAUTION Burrs formed during molding may be left over on some parts of the chassis. Therefore, pay attention to such burrs in the case of performing repair of this system.

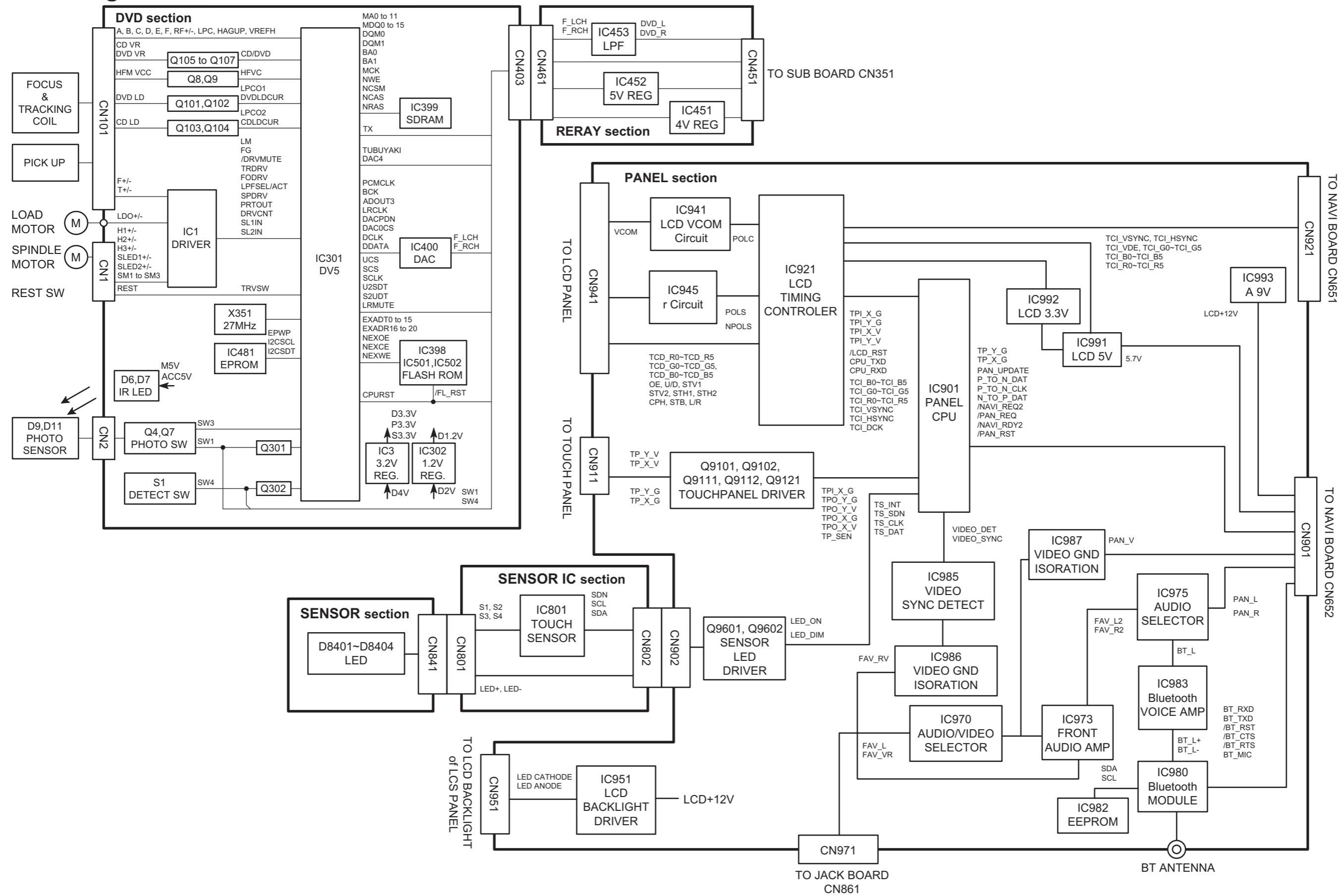


CAUTION Please use enough caution not to see the beam directly or touch it in case of an adjustment or operation check.

Block diagram (Main)

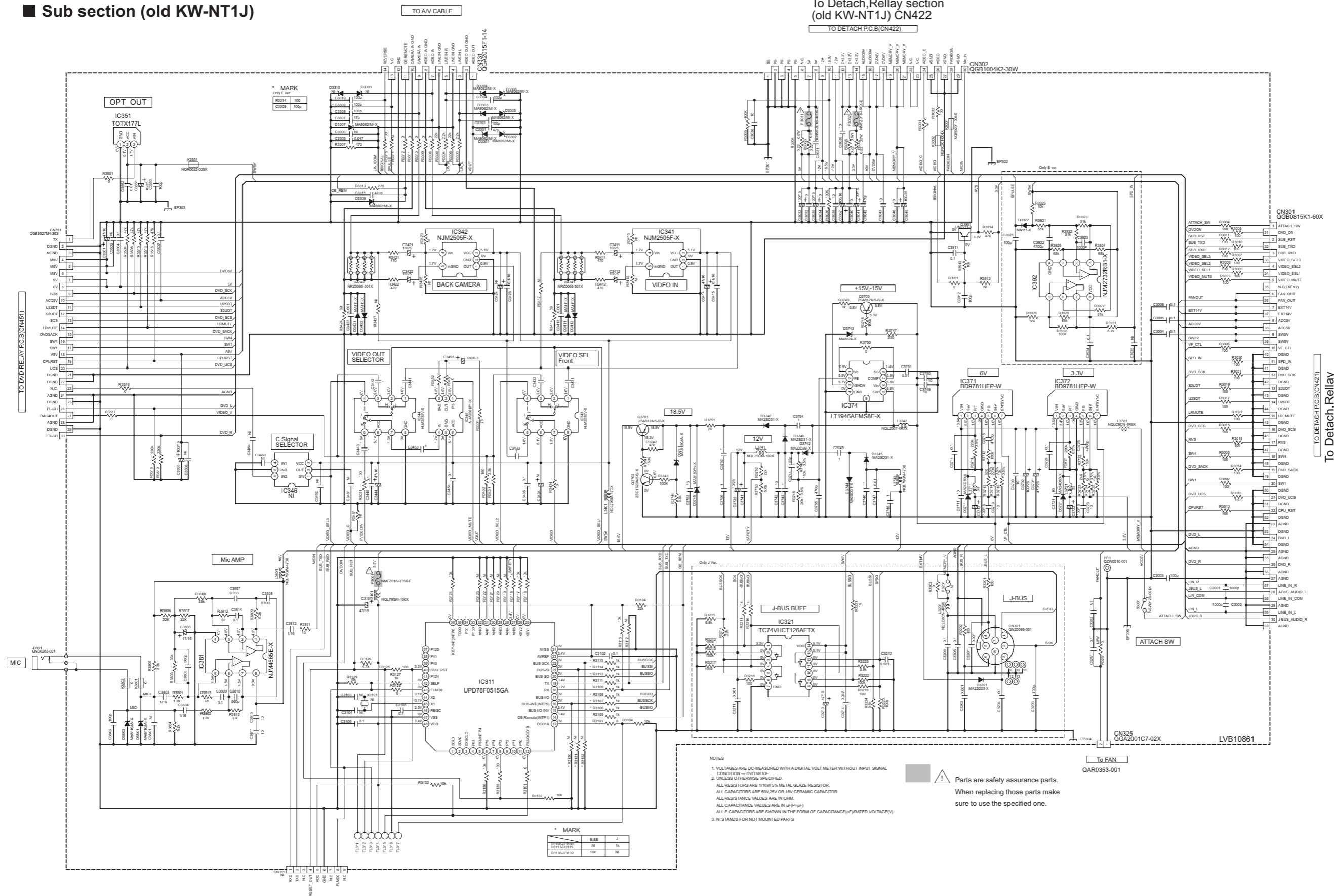


Block diagram (Panel/DVD)



Sub section (old KW-NT1J)

To Detach,Relay section (old KW-NT1J) CN422

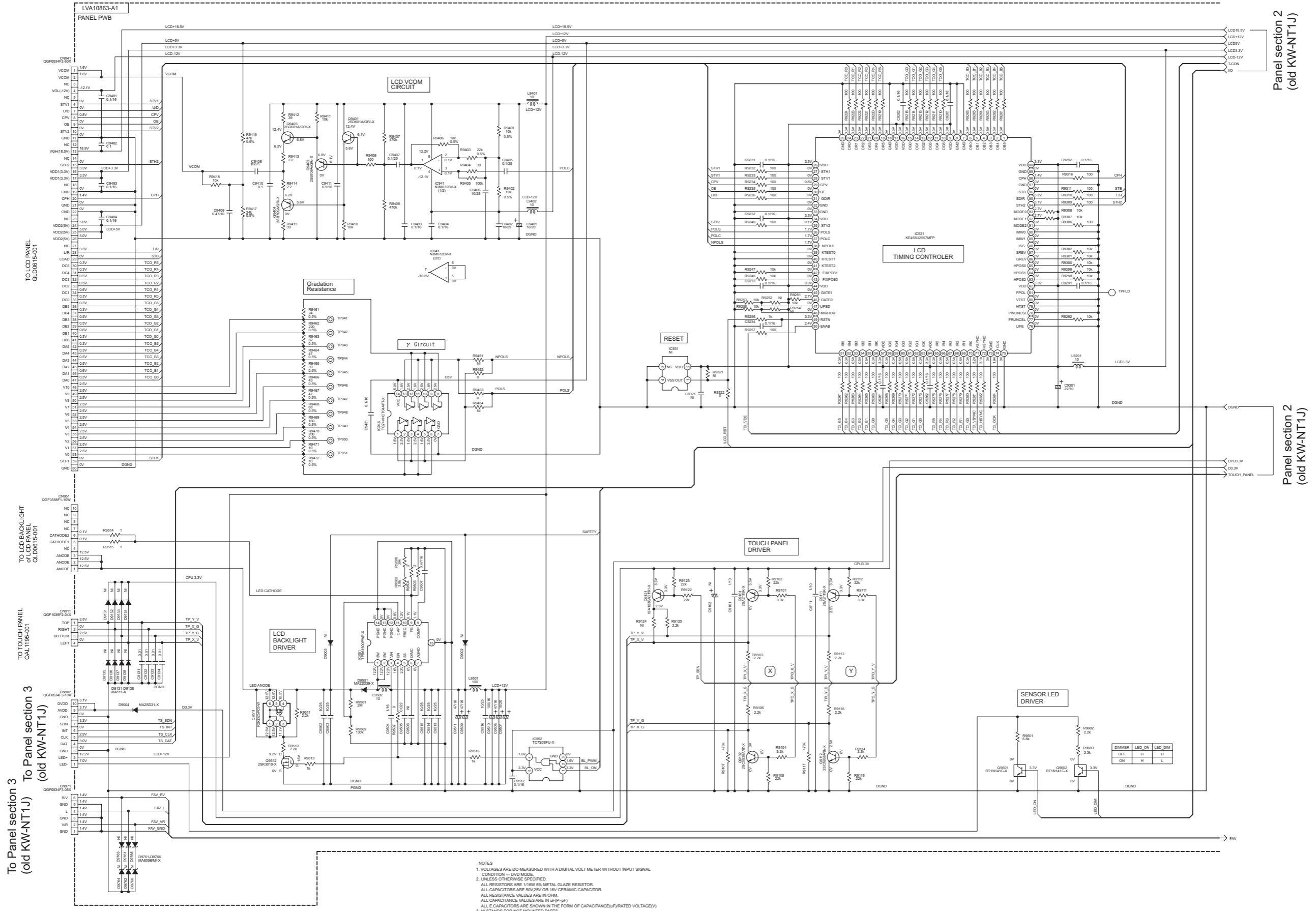


- NOTES
1. VOLTAGES ARE DC-MEASURED WITH A DIGITAL VOLT METER WITHOUT INPUT SIGNAL CONDITION - DVD MODE.
 2. UNLESS OTHERWISE SPECIFIED.
 3. NI STANDS FOR NOT MOUNTED PARTS.
- Parts are safety assurance parts. When replacing those parts make sure to use the specified one.

MARK

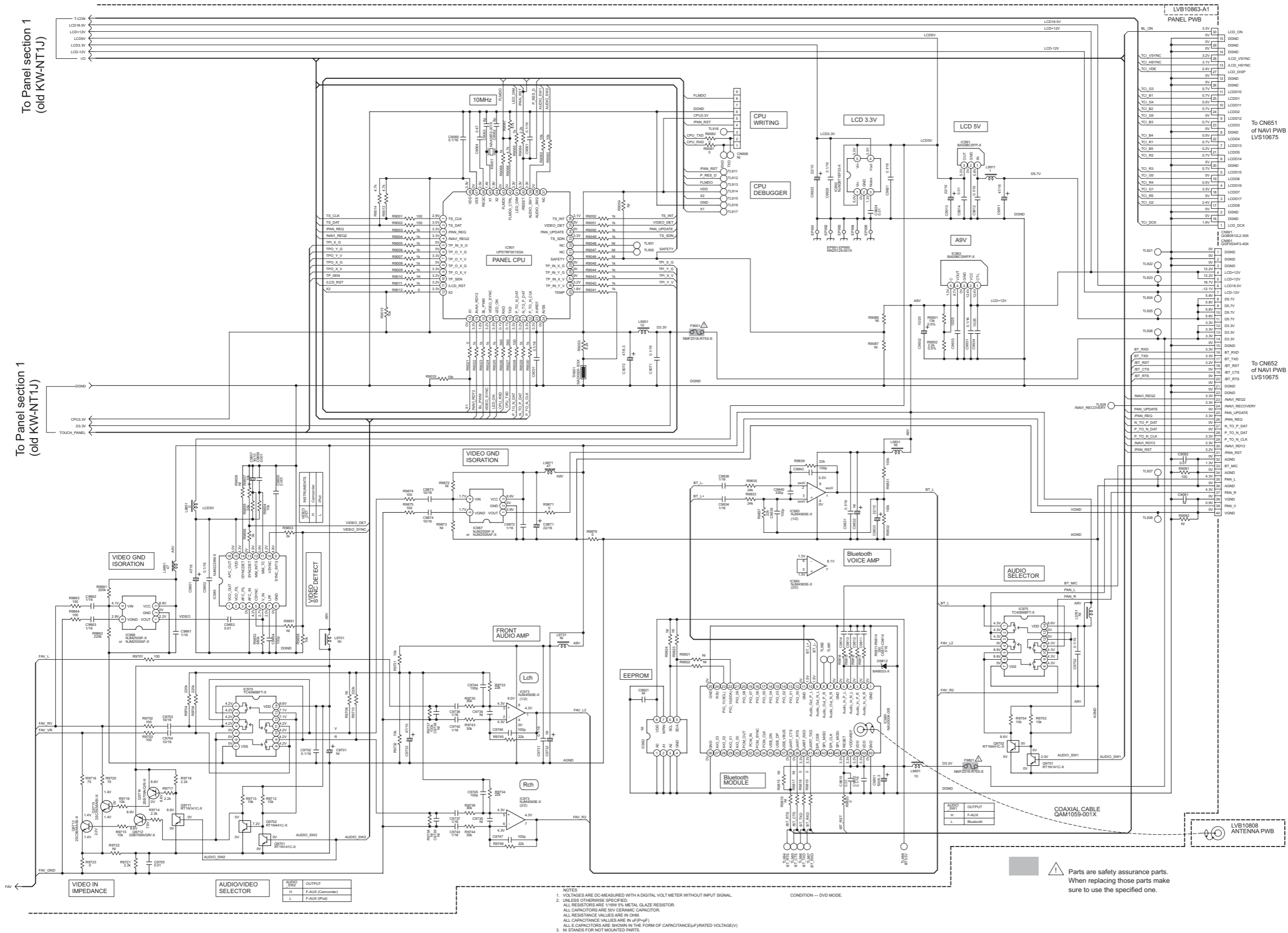
| | | | |
|-------|---|-----|----|
| R3100 | E | 10K | J |
| R3101 | E | 10K | N |
| R3102 | E | 10K | NE |

Panel section 1 (old KW-NT1J)



NOTES
 1. VOLTAGES ARE DC-MEASURED WITH A DIGITAL VOLT METER WITHOUT INPUT SIGNAL.
 CONDITION - DVD MODE.
 2. UNLESS OTHERWISE SPECIFIED,
 ALL RESISTORS ARE 1/16W 5% METAL GLAZE RESISTOR.
 ALL CAPACITORS ARE 50V/25V OR 16V CERAMIC CAPACITOR.
 ALL RESISTANCE VALUES ARE IN OHM.
 ALL CAPACITANCE VALUES ARE IN μF(P-PF)
 ALL CAPACITORS ARE SHOWN IN THE FORM OF CAPACITANCE(μF/RATED VOLTAGE(V))
 3. NI STANDS FOR NOT MOUNTED PARTS

Panel section 2 (old KW-NT1J)

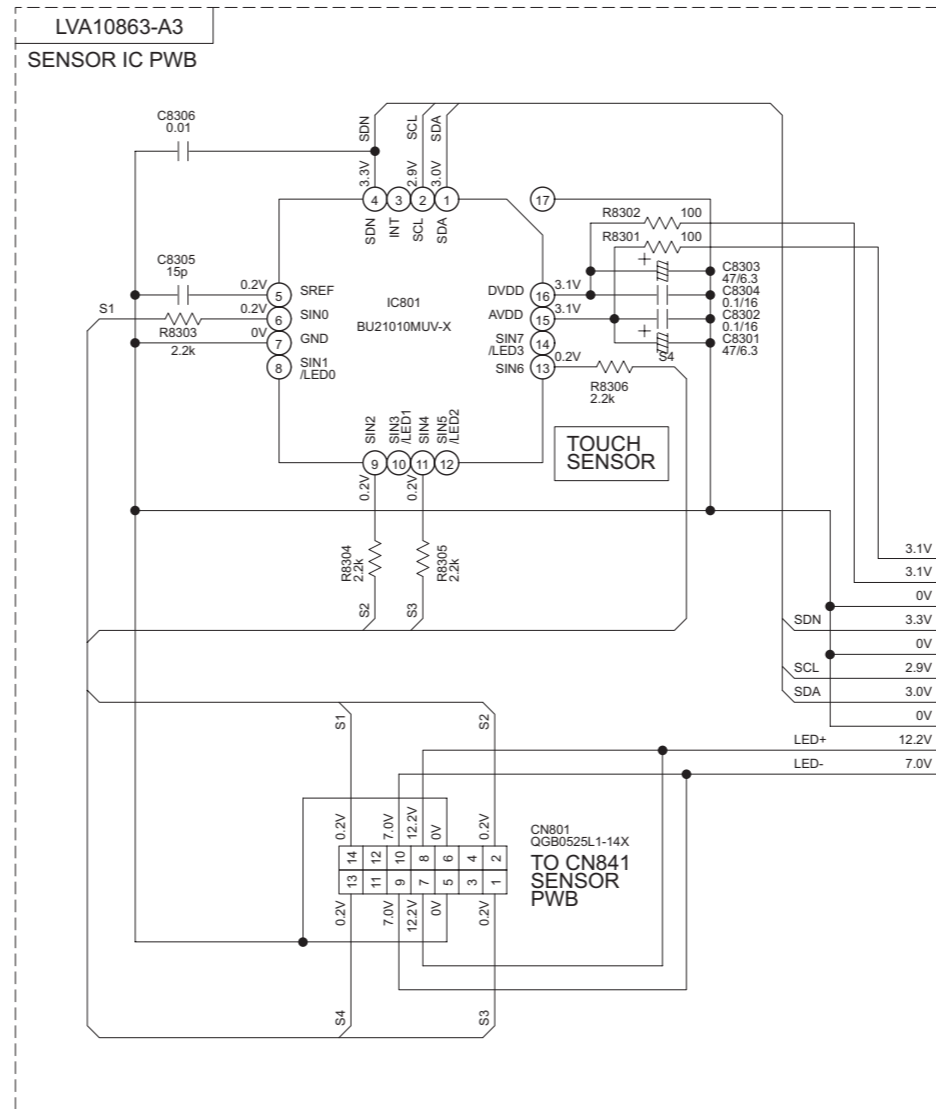
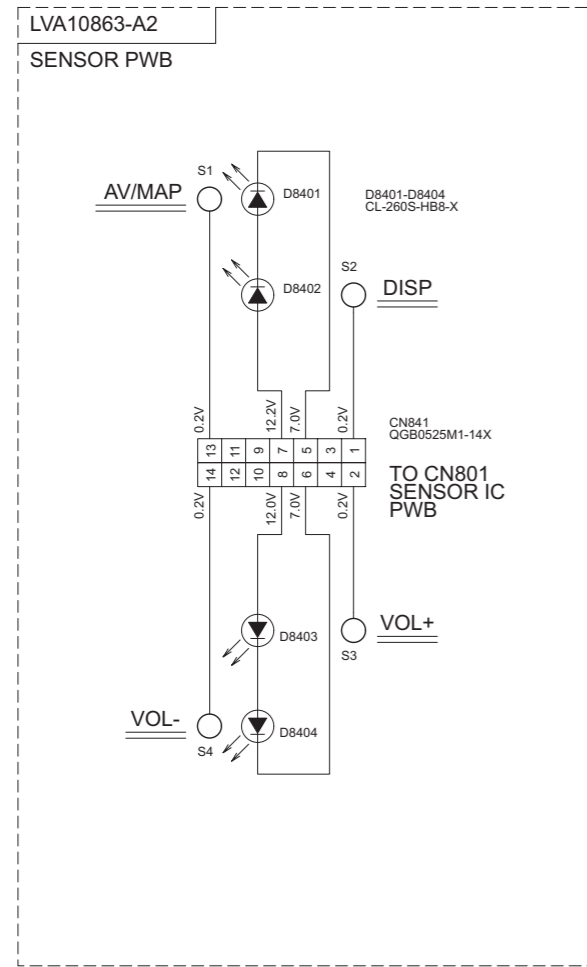


NOTES
 1. VOLTAGES ARE DC-MEASURED WITH A DIGITAL VOLT METER WITHOUT INPUT SIGNAL.
 2. UNLESS OTHERWISE SPECIFIED.
 ALL RESISTORS ARE 1/16W 5% METAL GLAZE RESISTOR.
 ALL CAPACITORS ARE 50V CERAMIC CAPACITOR.
 ALL RESISTANCE VALUES ARE IN OHM.
 ALL CAPACITANCE VALUES ARE IN nF(pF).
 ALL CAPACITORS ARE SHOWN IN THE FORM OF CAPACITANCE(VOLTAJE).
 3. NI STANDS FOR NOT MOUNTED PARTS.

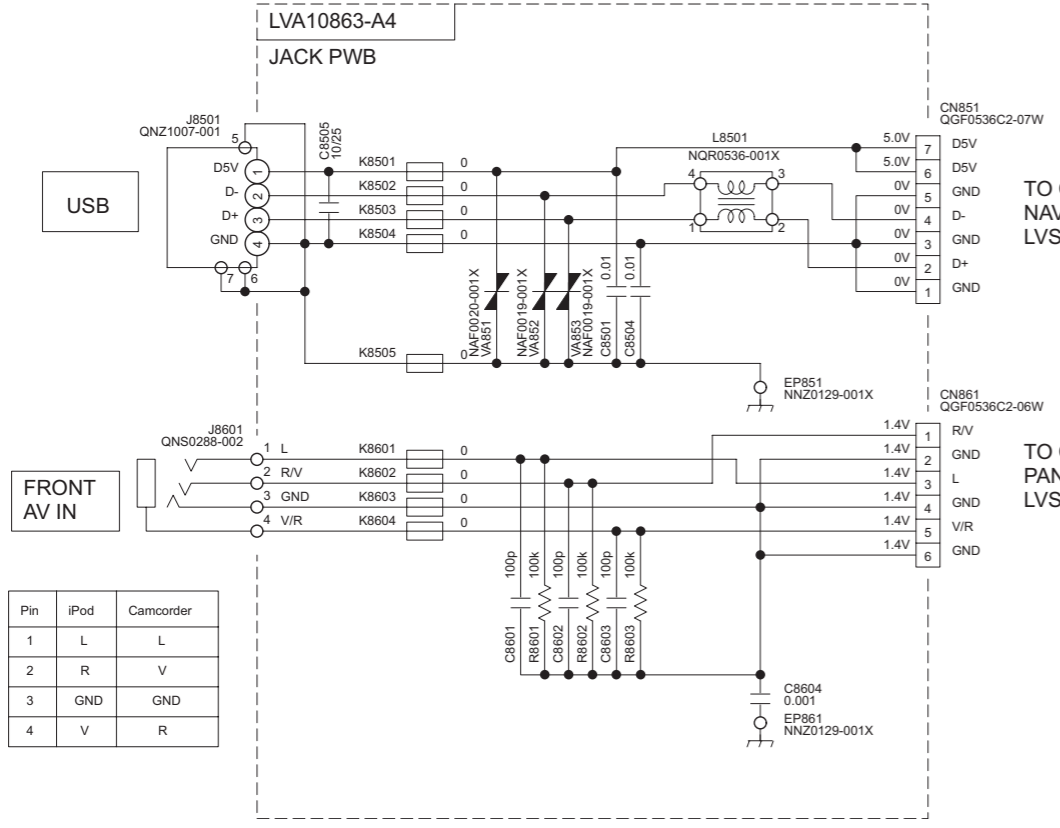
CONDITION - DVD MODE

Parts are safety assurance parts.
 When replacing those parts make
 sure to use the specified one.

■ Panel section 3 (old KW-NT1J)



TO CN902 of
PANEL PWB
LVS10674



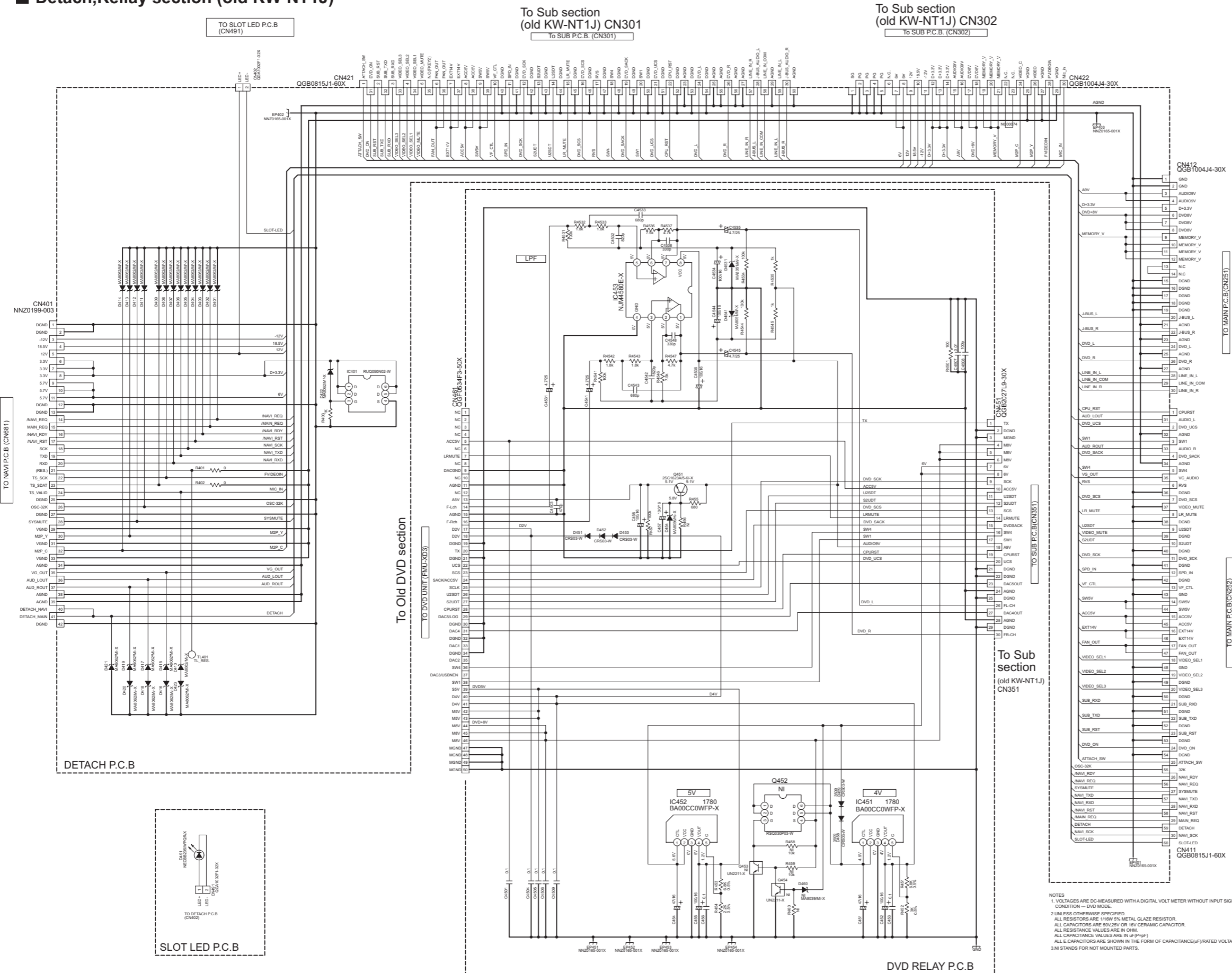
TO CN671 OF
NAVI PWB
LVS10675

TO CN971 OF
PANEL PWB
LVS10674

| Pin | iPod | Camcorder |
|-----|------|-----------|
| 1 | L | L |
| 2 | R | V |
| 3 | GND | GND |
| 4 | V | R |

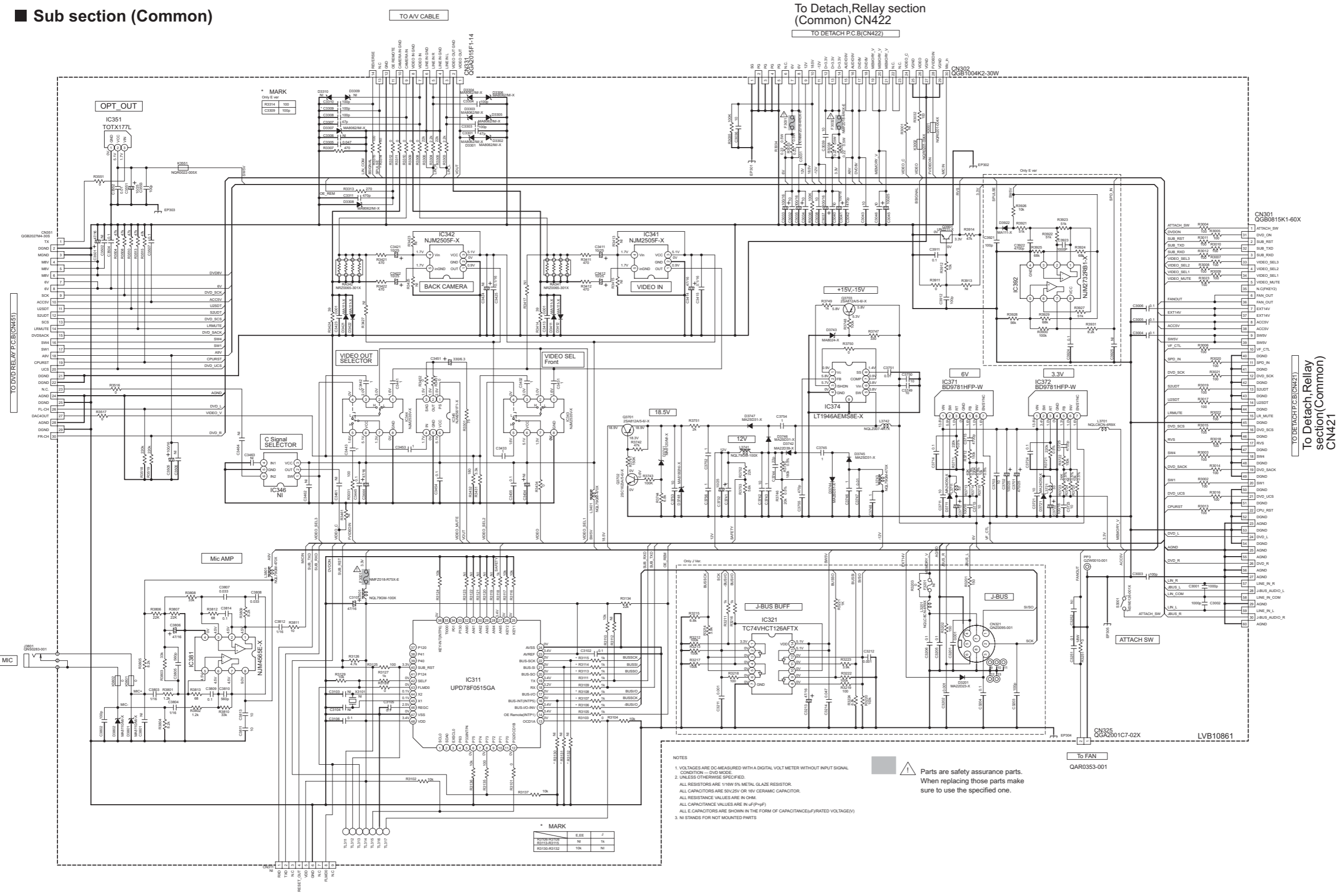
- NOTES
- VOLTAGES ARE DC-MEASURED WITH A DIGITAL VOLT METER WITHOUT INPUT SIGNAL CONDITION -- DVD MODE.
 - UNLESS OTHERWISE SPECIFIED.
ALL RESISTORS ARE 1/16W 5% METAL GLAZE RESISTOR.
ALL CAPACITORS ARE 50V,25V OR 16V CERAMIC CAPACITOR.
ALL RESISTANCE VALUES ARE IN OHM.
ALL CAPACITANCE VALUES ARE IN uF(P=pF)
 - NI STANDS FOR NOT MOUNTED PARTS

■ Detach,Relay section (old KW-NT1J)



NOTES
1. VOLTAGES ARE DC-MEASURED WITH A DIGITAL VOLT METER WITHOUT INPUT SIGNAL CONDITION — DVD MODE.
2. UNLESS OTHERWISE SPECIFIED.
ALL RESISTORS ARE 1/16W 5% METAL GLAZE RESISTOR.
ALL CAPACITORS ARE 50V/25V OR 16V CERAMIC CAPACITOR.
ALL RESISTANCE VALUES ARE IN OHM.
ALL CAPACITANCE VALUES ARE IN μF(μP).
ALL E. CAPACITORS ARE SHOWN IN THE FORM OF CAPACITANCE/(RATED VOLTAGE(V)).
3.NI STANDS FOR NOT MOUNTED PARTS.

■ Sub section (Common)



NOTES

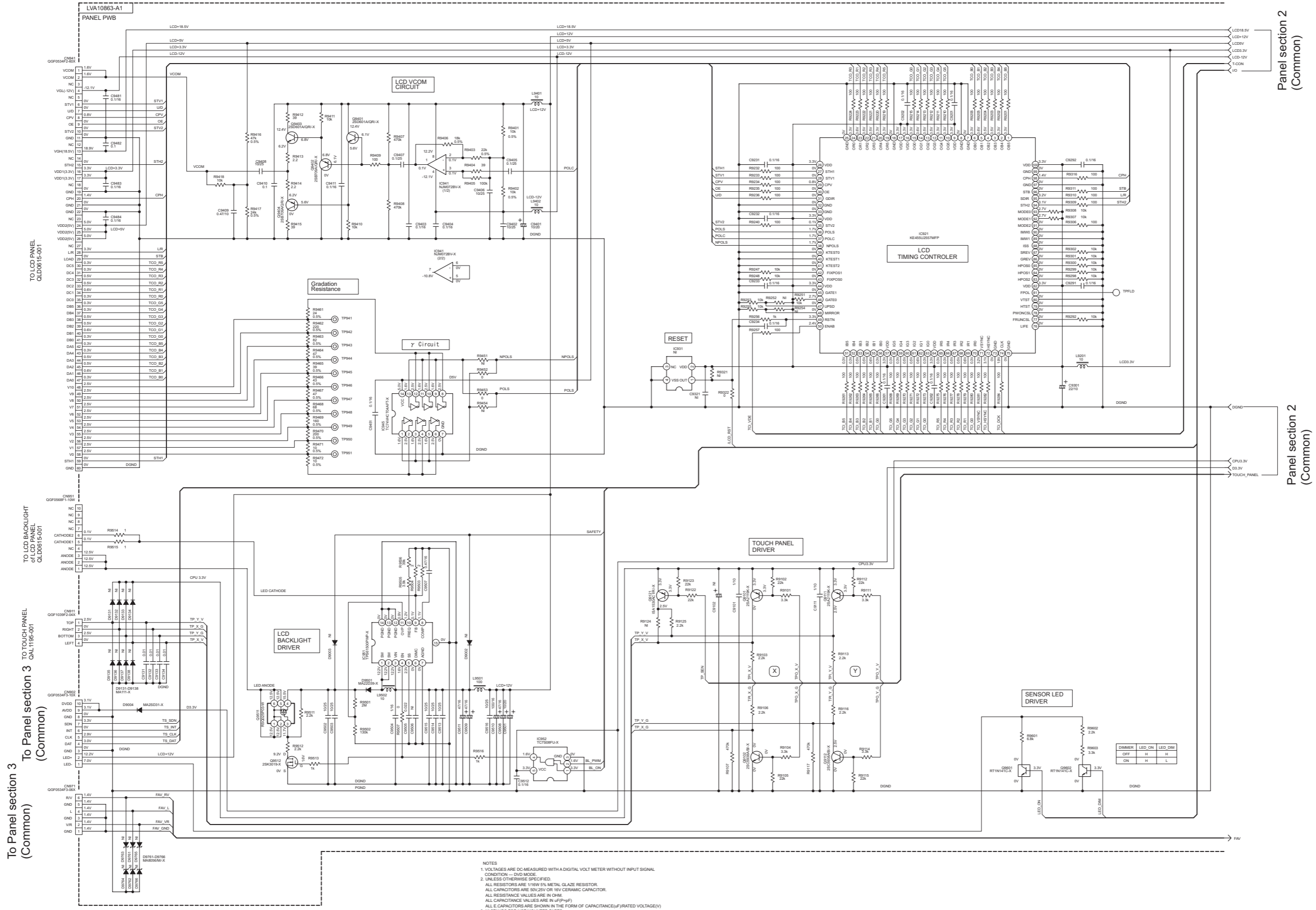
1. VOLTAGES ARE DC-MEASURED WITH A DIGITAL VOLT METER WITHOUT INPUT SIGNAL CONDITION - DVD MODE.
2. UNLESS OTHERWISE SPECIFIED.
3. NI STANDS FOR NOT MOUNTED PARTS.

Parts are safety assurance parts.
When replacing those parts make sure to use the specified one.

* MARK

| REF ID | MARK | QTY |
|-------------|------|-----|
| R3130-R3132 | NI | 14 |
| R3130-R3132 | 10K | NI |

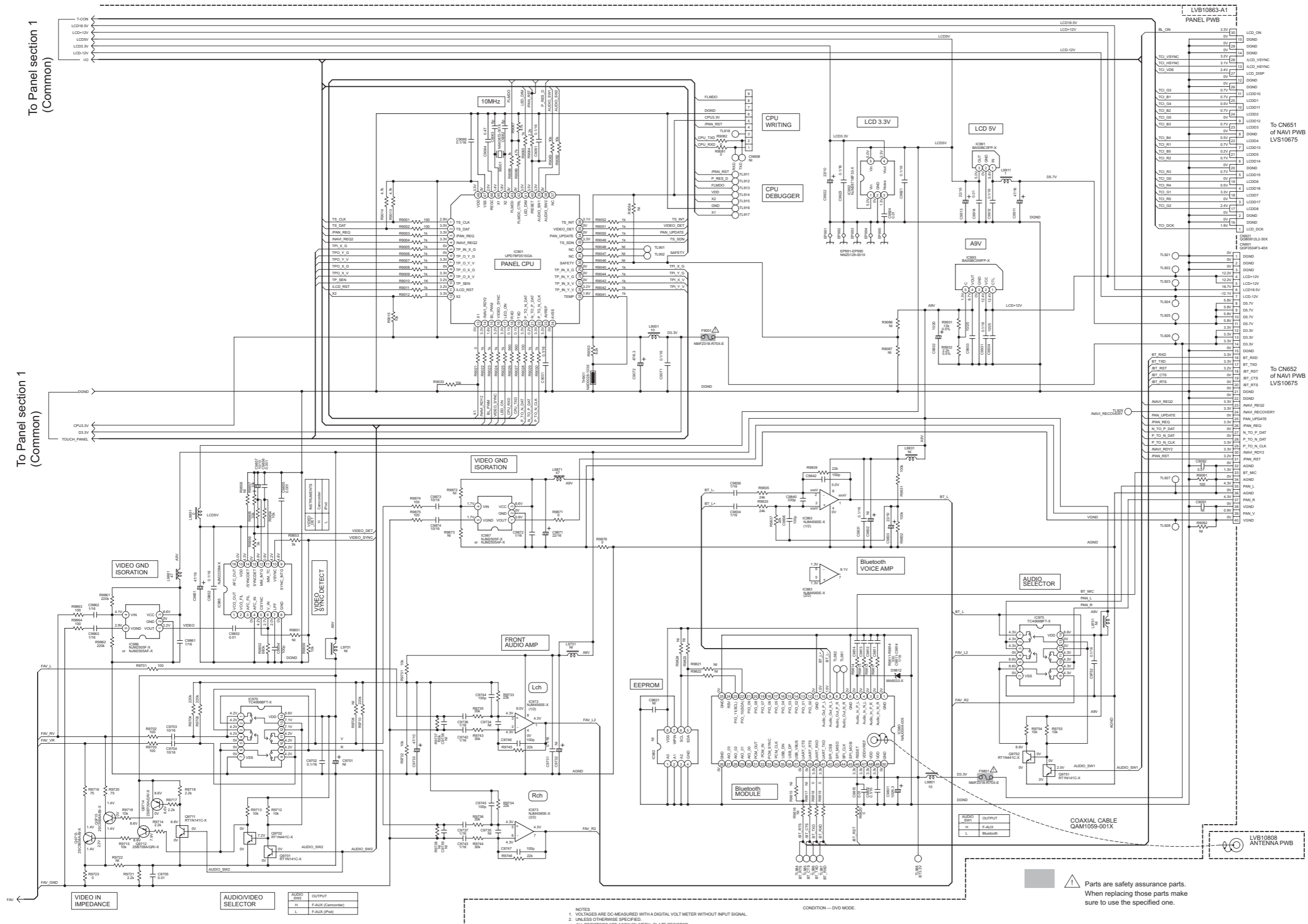
Panel section 1 (Common)



Panel section 2 (Common)

Panel section 2 (Common)

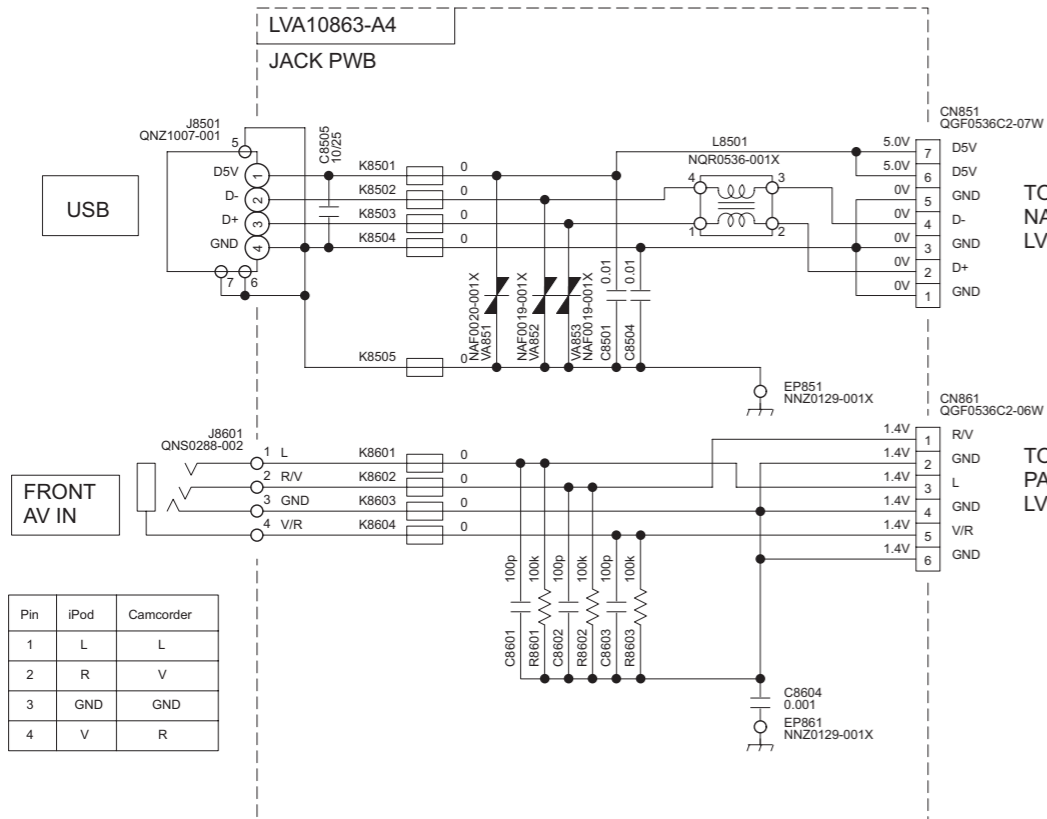
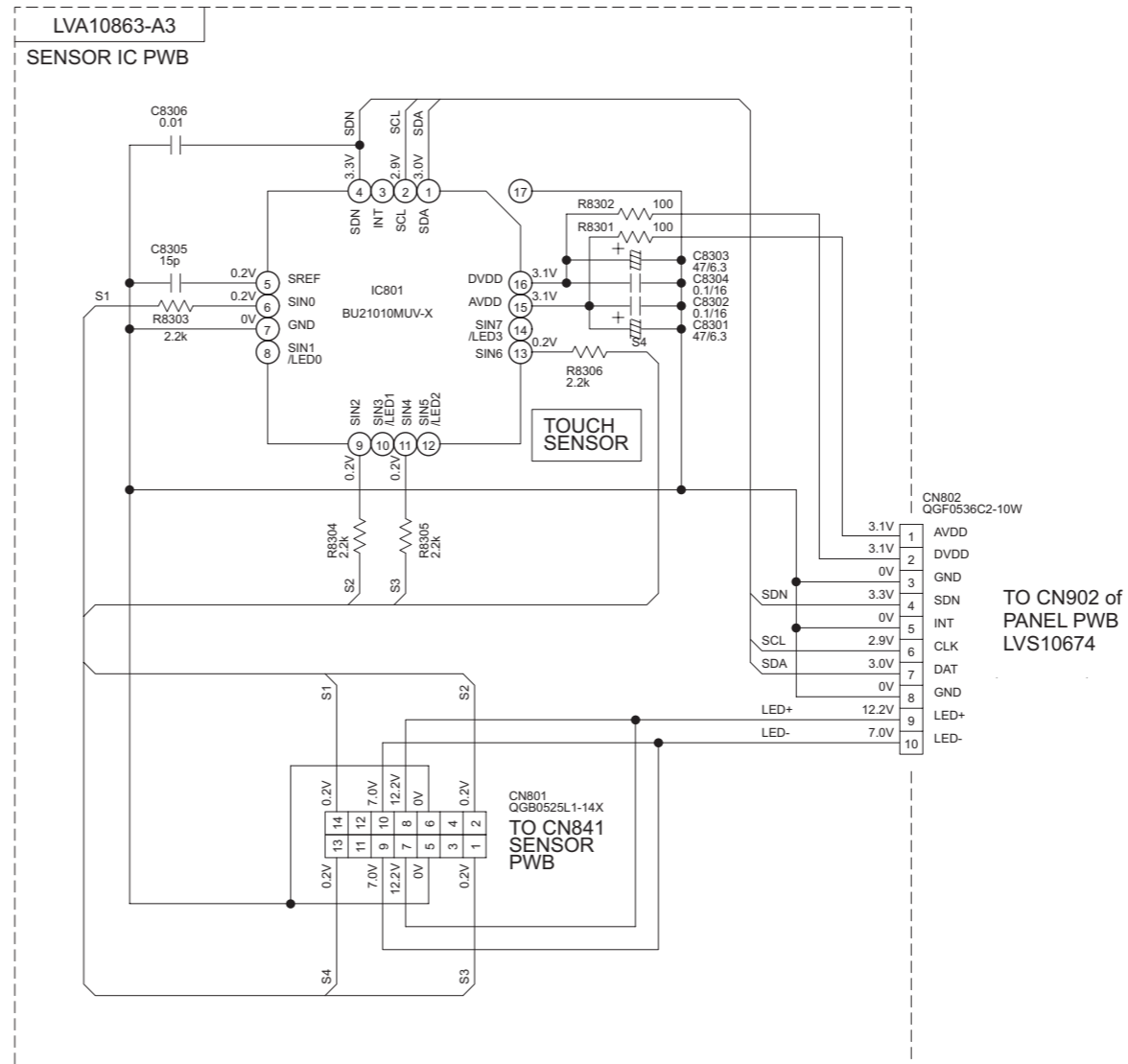
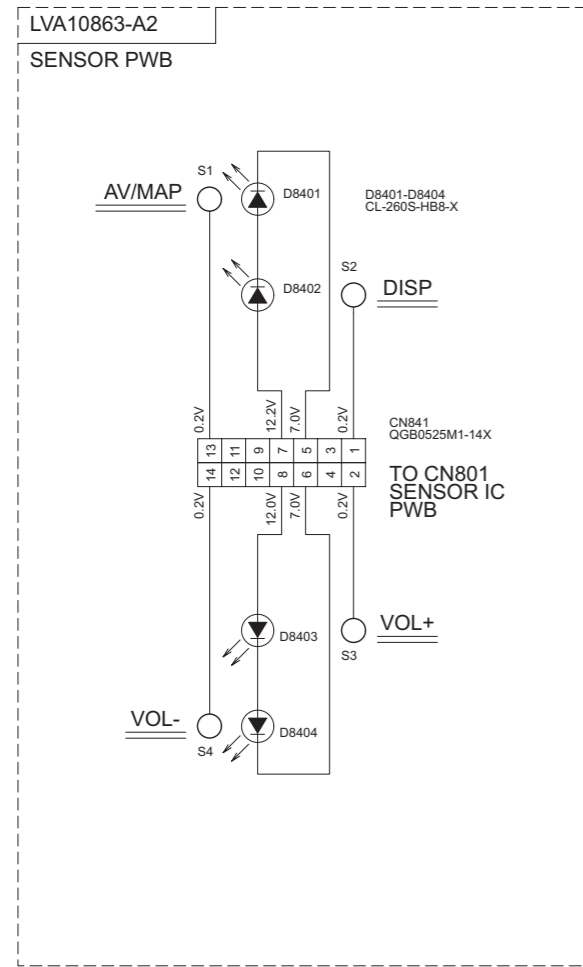
Panel section 2 (Common)



NOTES
 1. VOLTAGES ARE DC-MEASURED WITH A DIGITAL VOLT METER WITHOUT INPUT SIGNAL.
 2. UNLESS OTHERWISE SPECIFIED.
 ALL RESISTORS ARE 1/16W 5% METAL GLAZE RESISTOR.
 ALL CAPACITORS ARE 50V CERAMIC CAPACITOR.
 ALL RESISTANCE VALUES ARE IN OHM.
 ALL CAPACITANCE VALUES ARE IN (uF)(pF)
 ALL E-CAPACITORS ARE SHOWN IN THE FORM OF CAPACITANCE(uF)RATED VOLTAGE(V)
 3. NI STANDS FOR NOT MOUNTED PARTS.

Parts are safety assurance parts.
 When replacing those parts make
 sure to use the specified one.

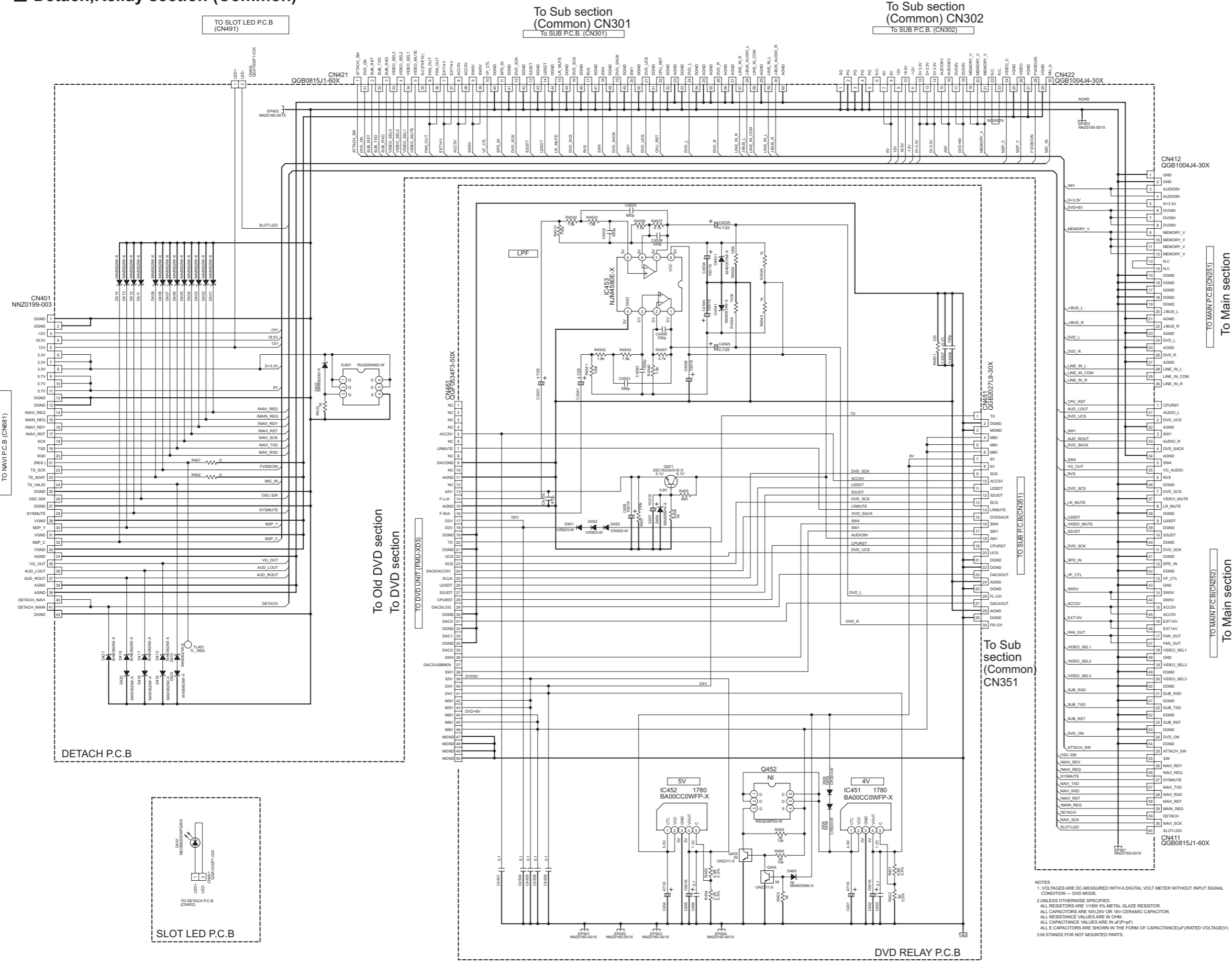
Panel section 3 (Common)



NOTES

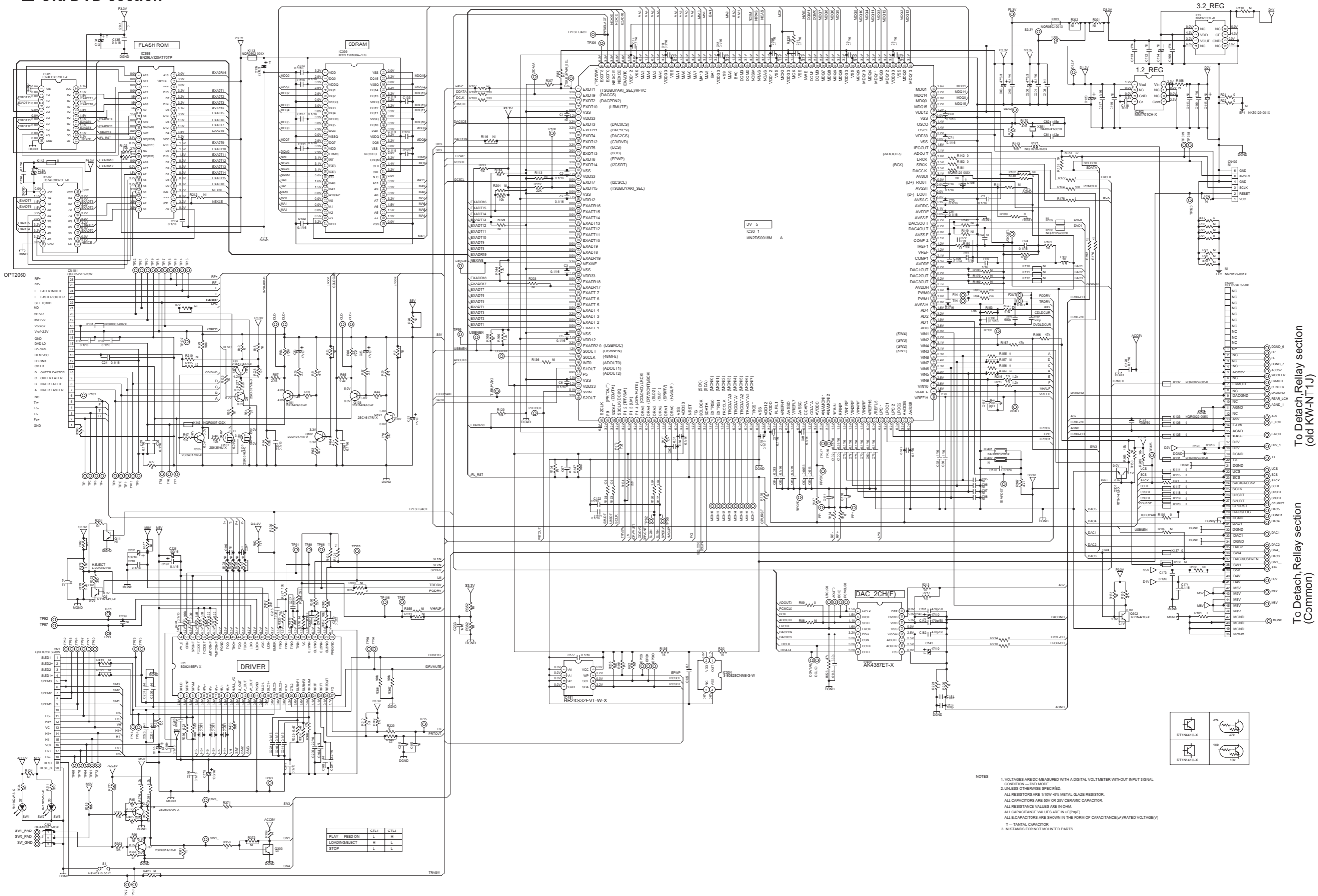
- VOLTAGES ARE DC-MEASURED WITH A DIGITAL VOLT METER WITHOUT INPUT SIGNAL CONDITION -- DVD MODE.
- UNLESS OTHERWISE SPECIFIED.
ALL RESISTORS ARE 1/16W 5% METAL GLAZE RESISTOR.
ALL CAPACITORS ARE 50V 25V OR 16V CERAMIC CAPACITOR.
ALL RESISTANCE VALUES ARE IN OHM.
ALL CAPACITANCE VALUES ARE IN uF (P=pF)
ALL E. CAPACITORS ARE SHOWN IN THE FORM OF CAPACITANCE(uF)/RATED VOLTAGE(V)
- NI STANDS FOR NOT MOUNTED PARTS

■ Detach,Relay section (Common)

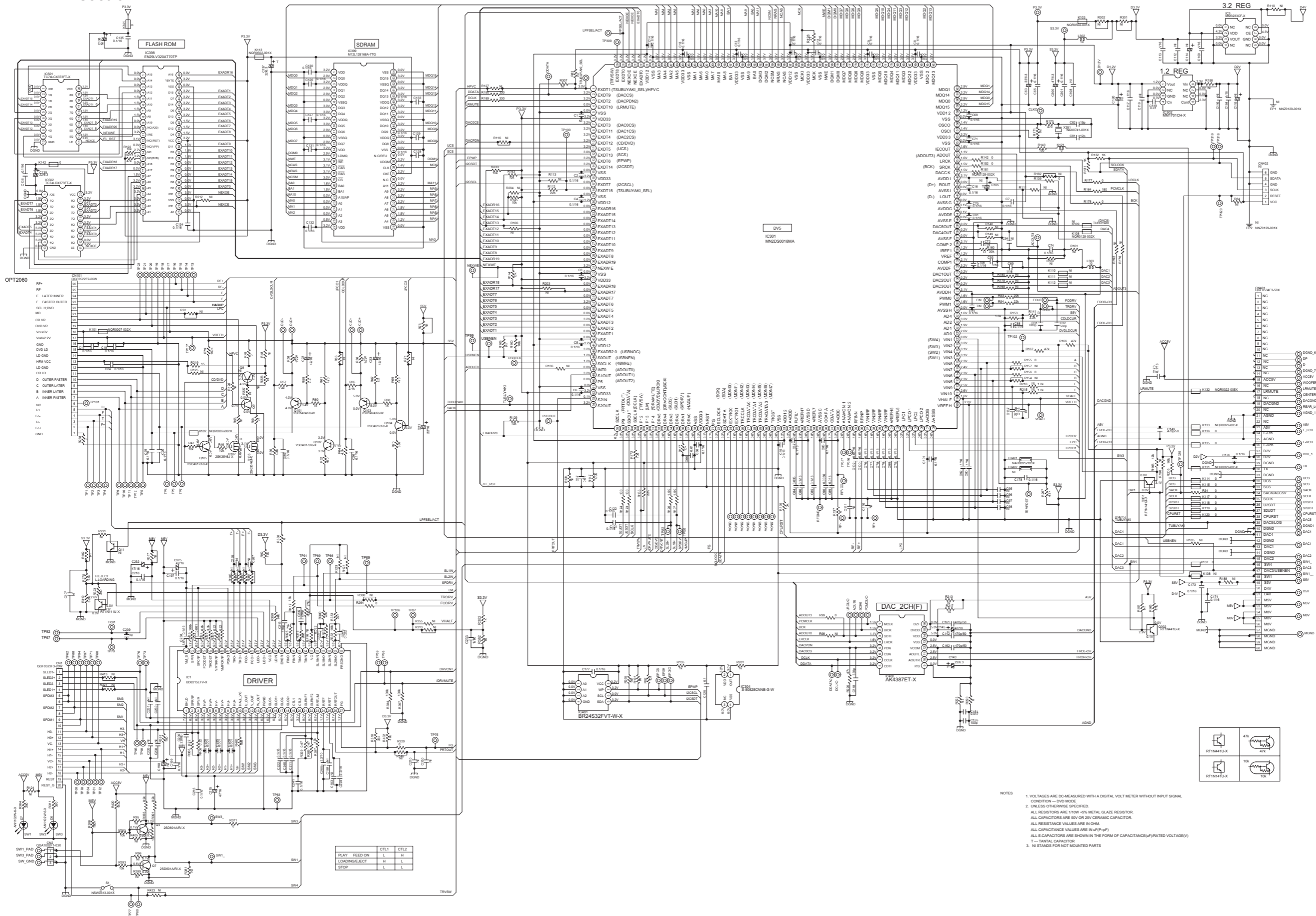


NOTES
 1. VOLTAGES ARE DC-MEASURED WITH A DIGITAL VOLT METER WITHOUT INPUT SIGNAL CONDITION - DVD MODE.
 2. UNLESS OTHERWISE SPECIFIED.
 ALL RESISTORS ARE 1/16W 5% METAL GLAZE RESISTOR.
 ALL CAPACITORS ARE 50V/25V OR 16V CERAMIC CAPACITOR.
 ALL RESISTANCE VALUES ARE IN OHM.
 ALL CAPACITANCE VALUES ARE IN μF (PF).
 ALL E. CAPACITORS ARE SHOWN IN THE FORM OF CAPACITANCE/(RATED VOLTAGE(V))
 3.NI STANDS FOR NOT MOUNTED PARTS.

Old DVD section



DVD section

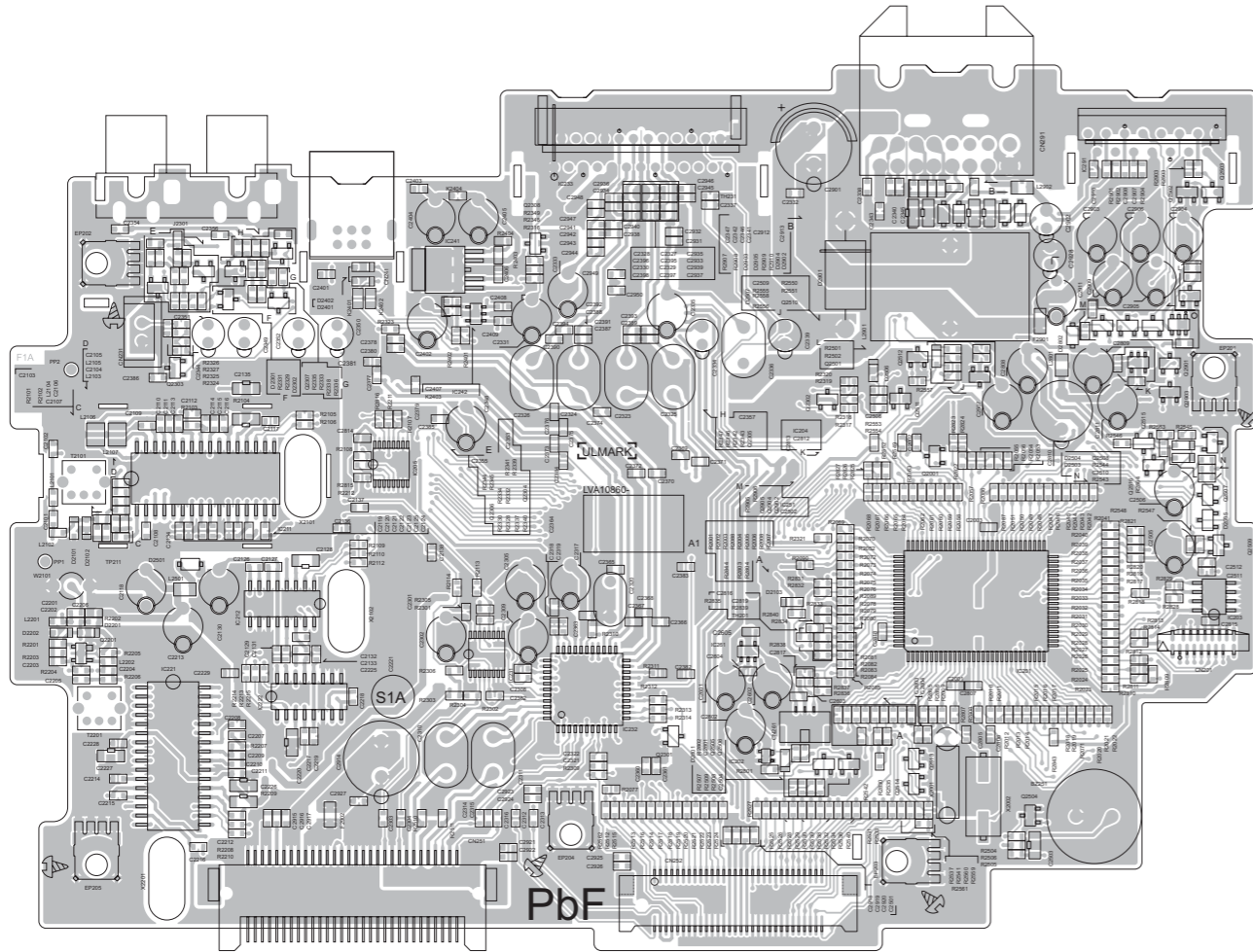


To Detach, Relay section (Common)

Printed circuit boards

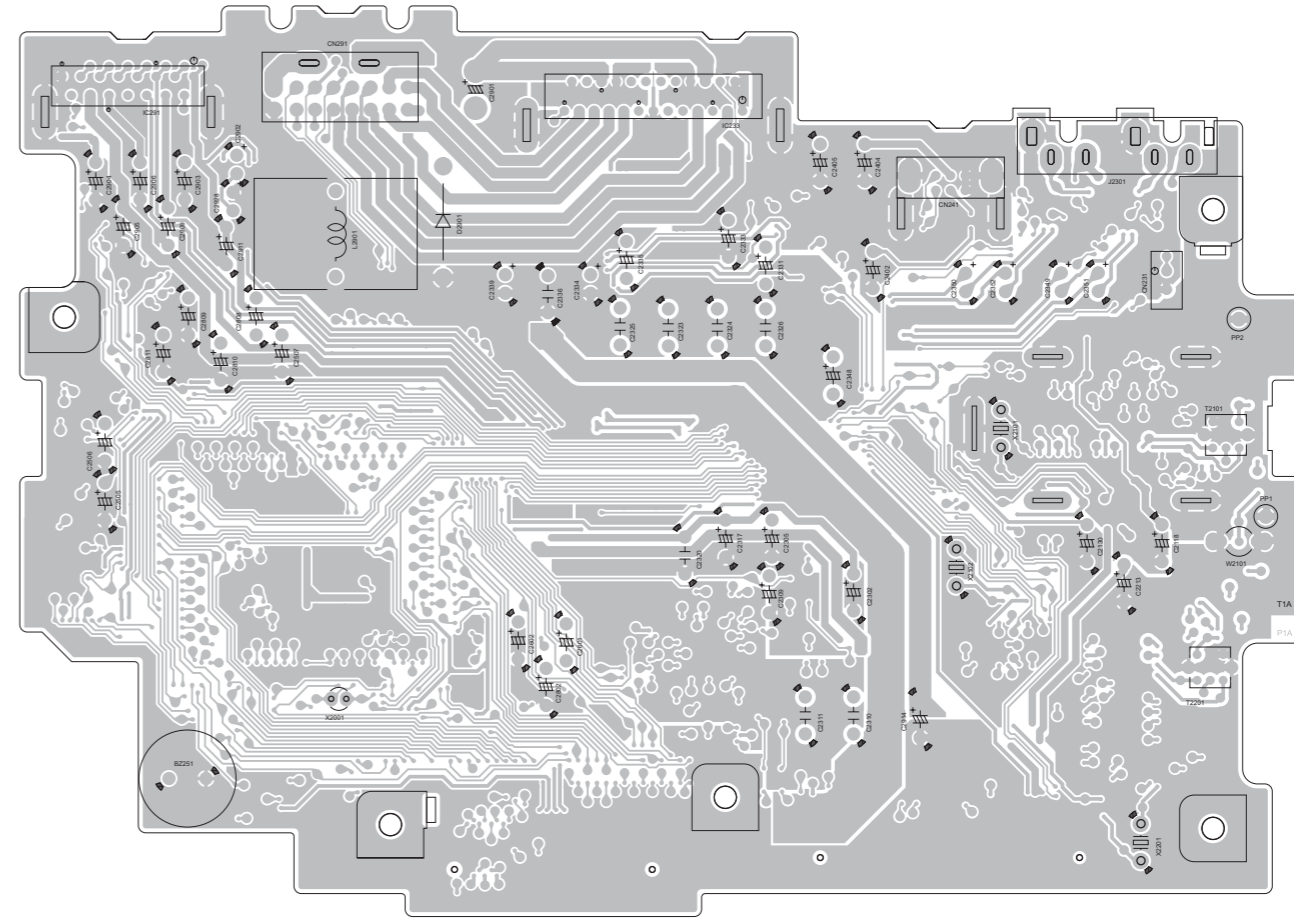
■ Main board (old KW-NT1J) (forward side)

(Lead free solder used in the board (material : Sn-Ag-Cu, melting point : 219 Centigrade))
 (Lead free solder used in the board (material : Sn-Cu, melting point : 230 Centigrade))



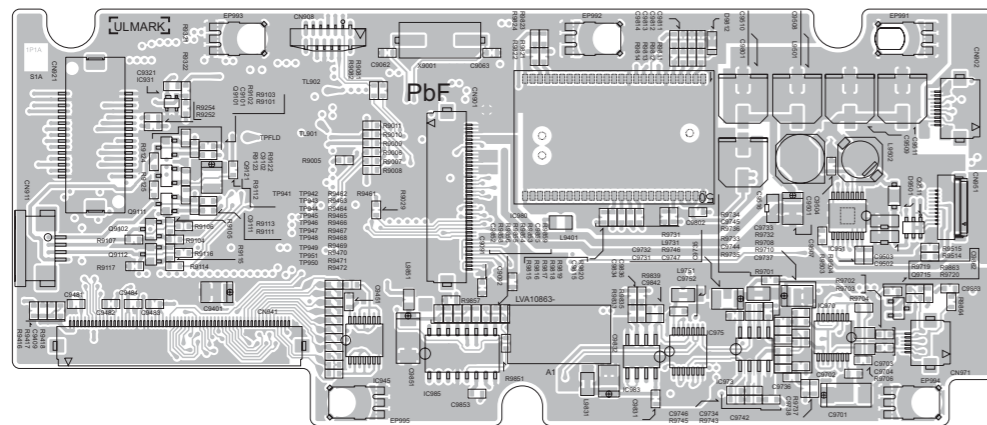
■ Main board (old KW-NT1J) (reverse side)

(Lead free solder used in the board (material : Sn-Ag-Cu, melting point : 219 Centigrade))
 (Lead free solder used in the board (material : Sn-Cu, melting point : 230 Centigrade))



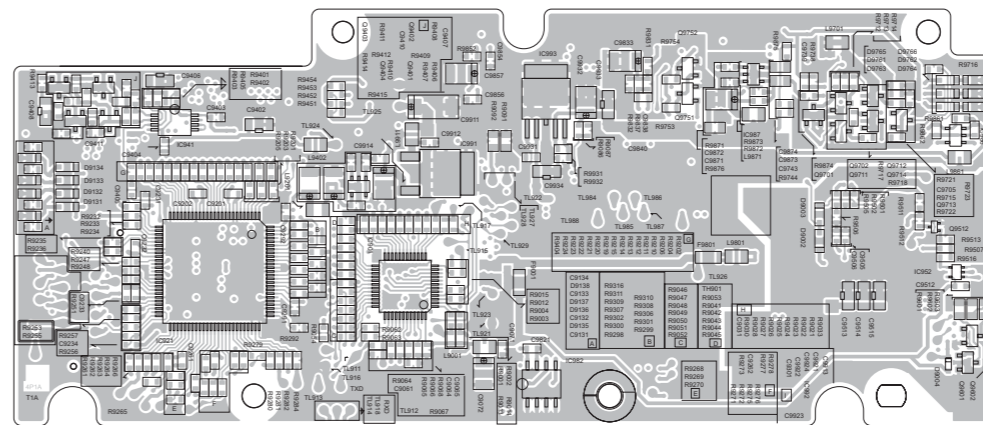
■ Panel board (old KW-NT1J) (forward side)

(Lead free solder used in the board (material : Sn-Ag-Cu, melting point : 219 Centigrade))
 (Lead free solder used in the board (material : Sn-Cu, melting point : 230 Centigrade))



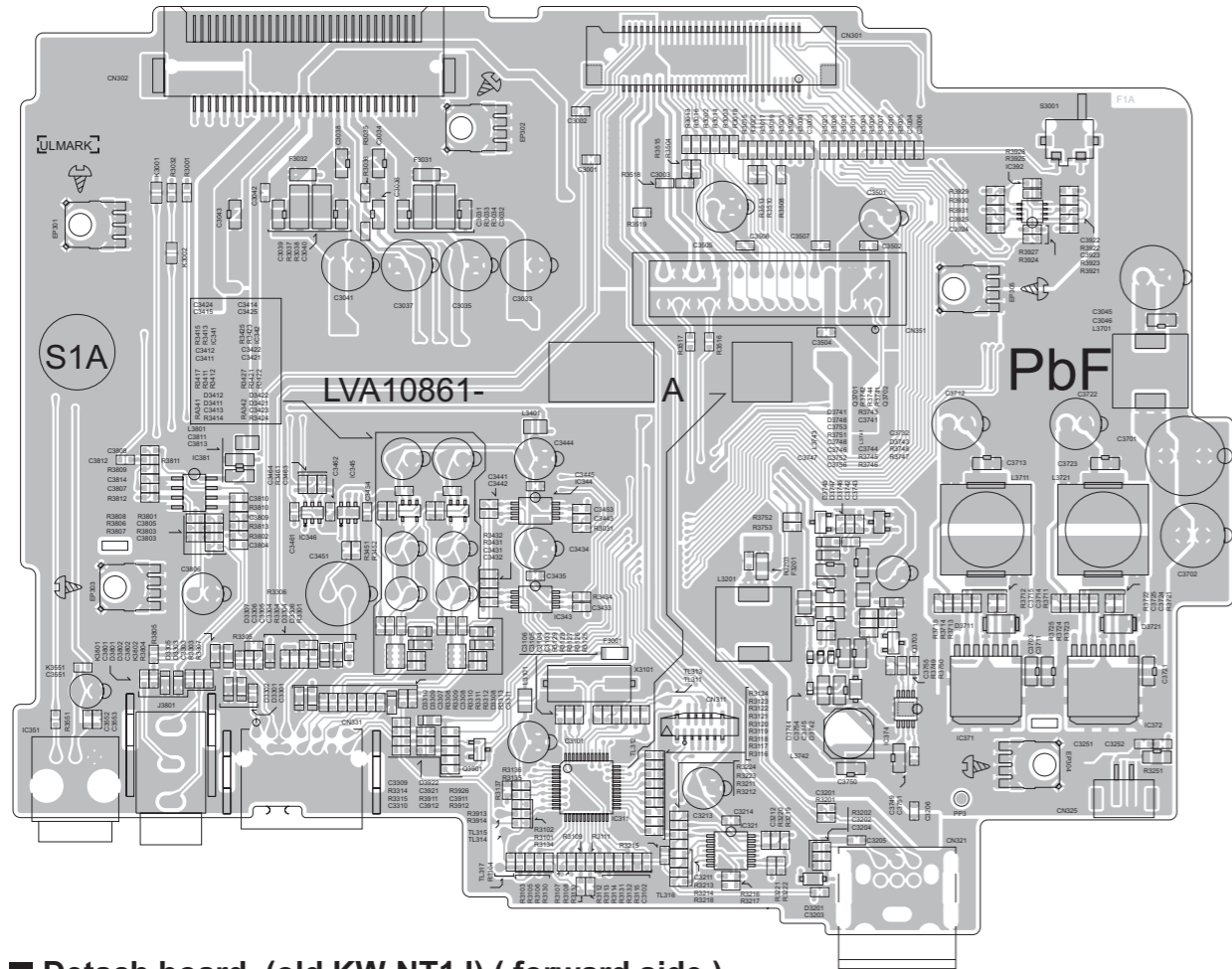
■ Panel board (old KW-NT1J) (reverse side)

(Lead free solder used in the board (material : Sn-Ag-Cu, melting point : 219 Centigrade))
 (Lead free solder used in the board (material : Sn-Cu, melting point : 230 Centigrade))



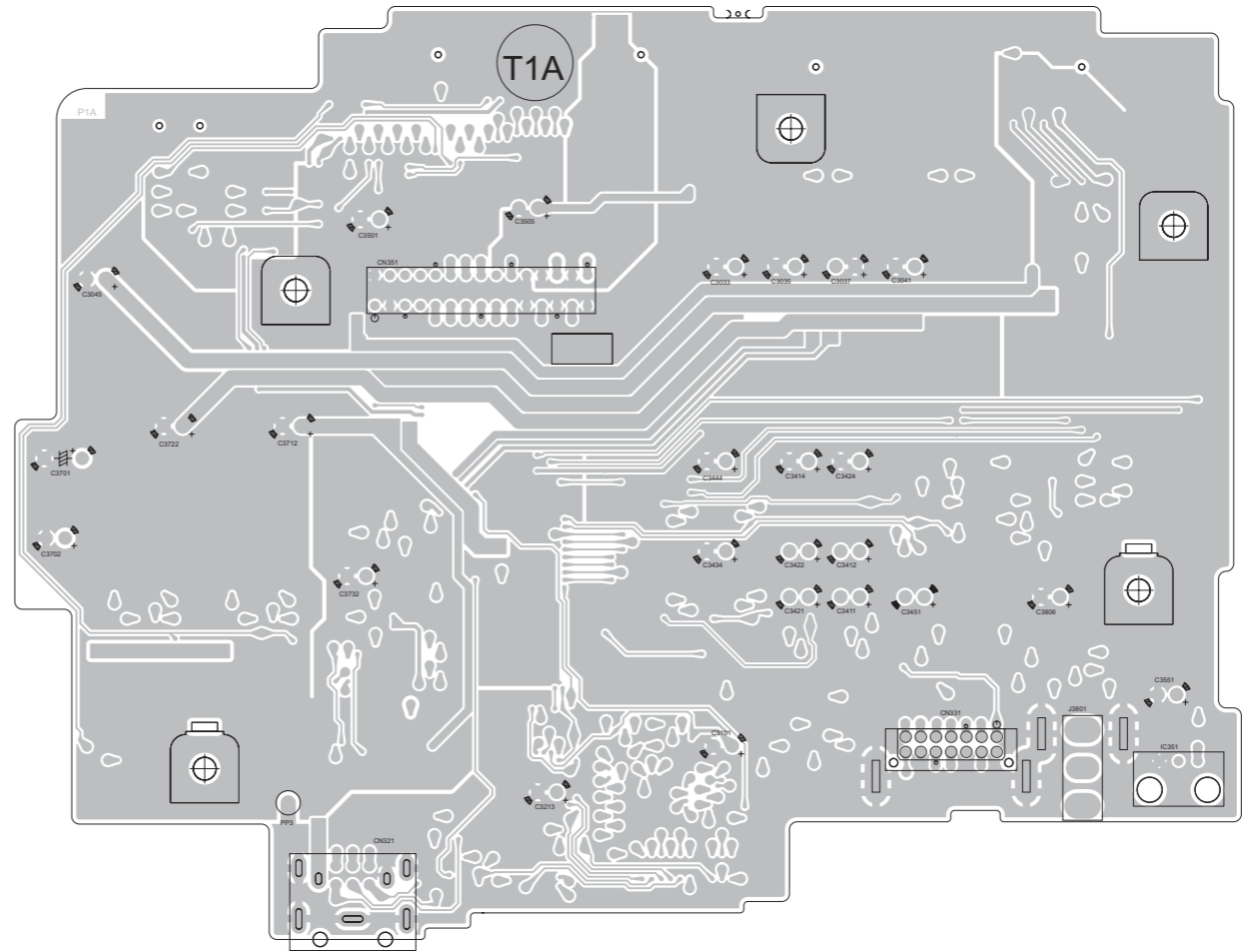
■ **Sub board (old KW-NT1J) (forward side)**

(Lead free solder used in the board (material : Sn-Ag-Cu, melting point : 219 Centigrade))
 (Lead free solder used in the board (material : Sn-Cu, melting point : 230 Centigrade))



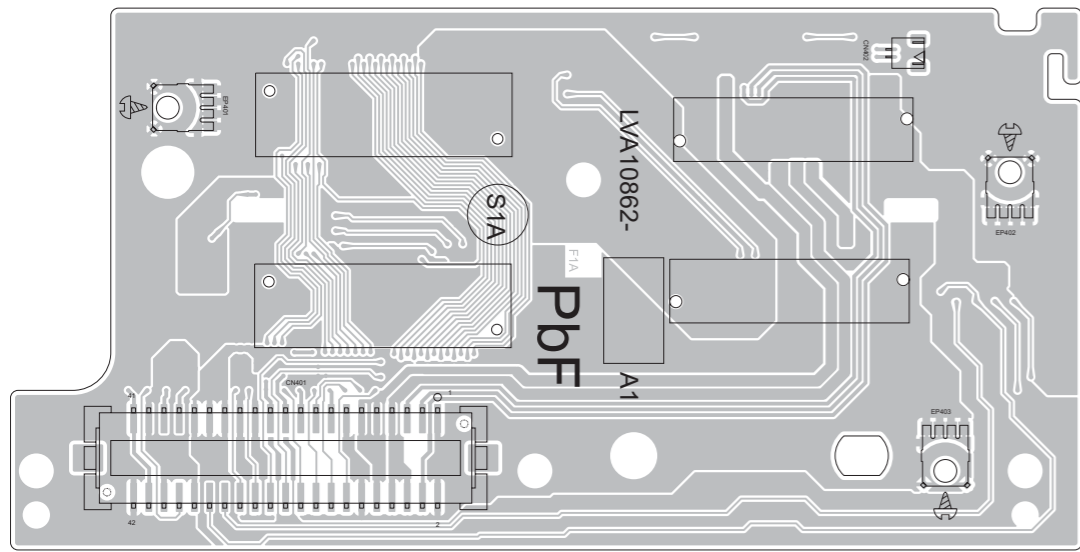
■ **Sub board (old KW-NT1J) (reverse side)**

(Lead free solder used in the board (material : Sn-Ag-Cu, melting point : 219 Centigrade))
 (Lead free solder used in the board (material : Sn-Cu, melting point : 230 Centigrade))



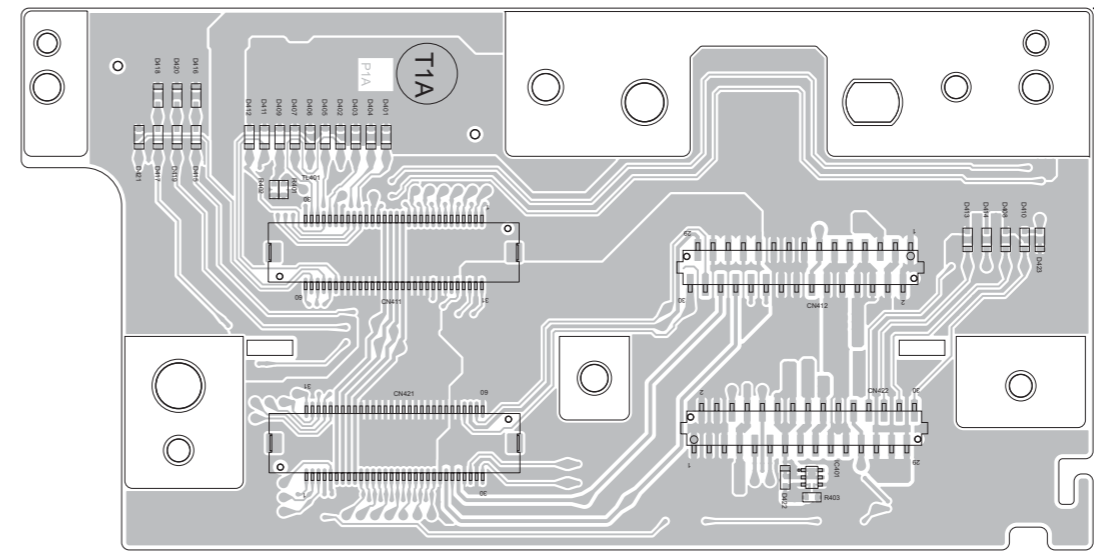
■ **Detach board (old KW-NT1J) (forward side)**

(Lead free solder used in the board (material : Sn-Ag-Cu, melting point : 219 Centigrade))
 (Lead free solder used in the board (material : Sn-Cu, melting point : 230 Centigrade))



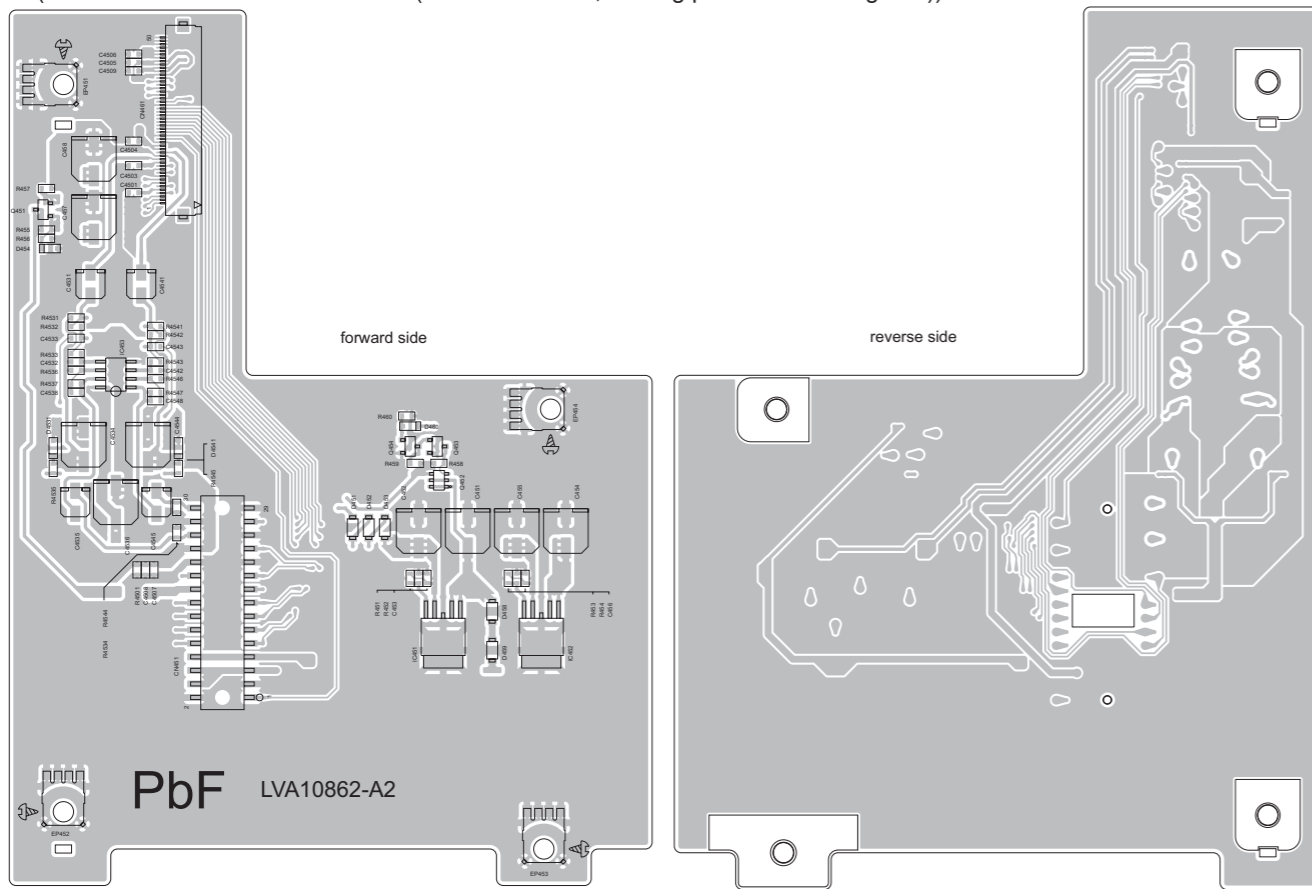
■ **Detach board (old KW-NT1J) (reverse side)**

(Lead free solder used in the board (material : Sn-Ag-Cu, melting point : 219 Centigrade))
 (Lead free solder used in the board (material : Sn-Cu, melting point : 230 Centigrade))



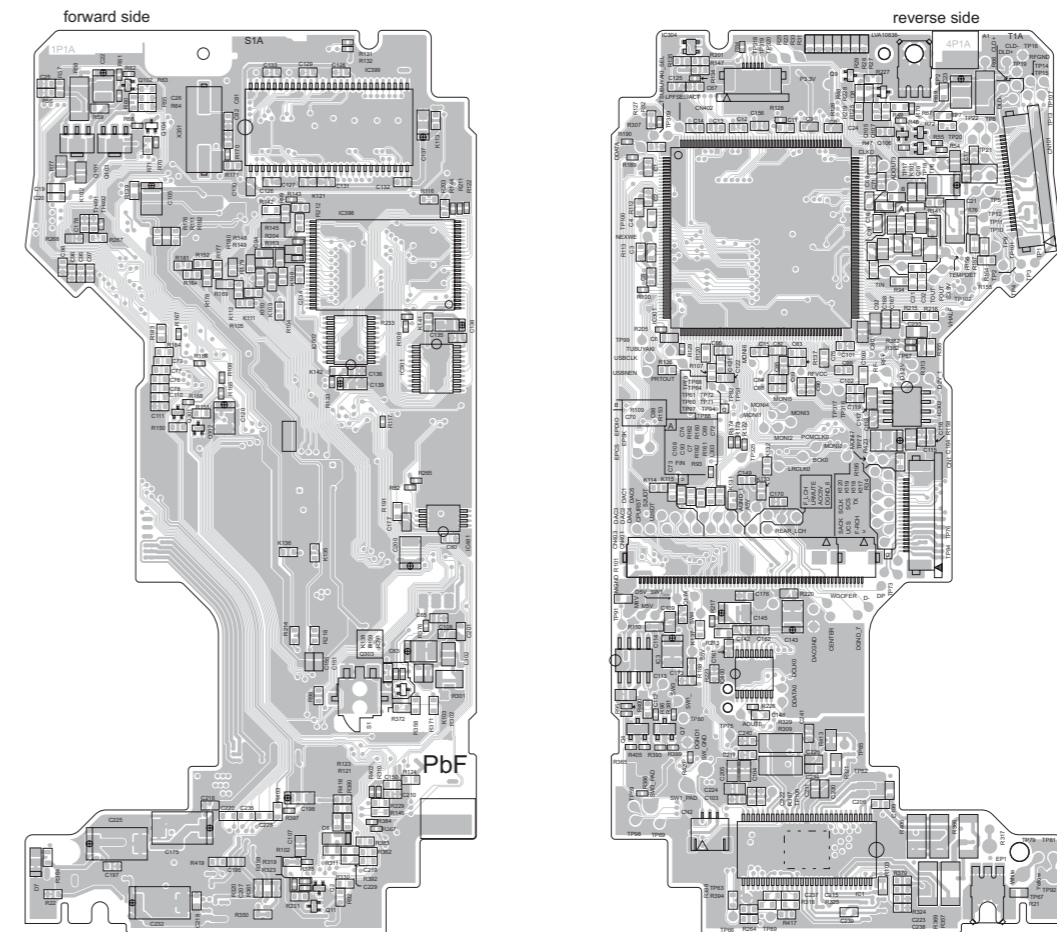
■ **Relay board (old KW-NT1J)**

(Lead free solder used in the board (material : Sn-Ag-Cu, melting point : 219 Centigrade))
 (Lead free solder used in the board (material : Sn-Cu, melting point : 230 Centigrade))



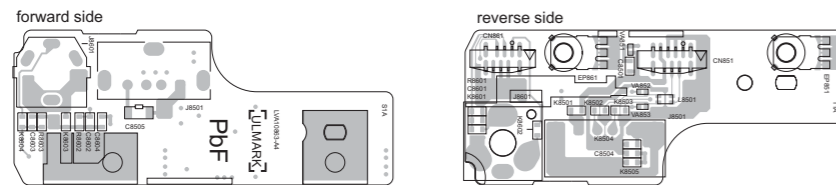
■ **Old DVD board**

(Lead free solder used in the board (material : Sn-Ag-Cu, melting point : 219 Centigrade))
 (Lead free solder used in the board (material : Sn-Cu, melting point : 230 Centigrade))



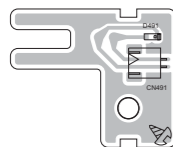
■ **Jack board (old KW-NT1J)**

(Lead free solder used in the board (material : Sn-Ag-Cu, melting point : 219 Centigrade))
 (Lead free solder used in the board (material : Sn-Cu, melting point : 230 Centigrade))



■ **SLOT-LED board (old KW-NT1J)**

(Lead free solder used in the board (material : Sn-Ag-Cu, melting point : 219 Centigrade))
 (Lead free solder used in the board (material : Sn-Cu, melting point : 230 Centigrade))



■ **Gyro board (old KW-NT1J)**

(Lead free solder used in the board (material : Sn-Ag-Cu, melting point : 219 Centigrade))
 (Lead free solder used in the board (material : Sn-Cu, melting point : 230 Centigrade))



■ **Old Photo board**

(Lead free solder used in the board (material : Sn-Ag-Cu, melting point : 219 Centigrade))
 (Lead free solder used in the board (material : Sn-Cu, melting point : 230 Centigrade))



■ **Sensor board (old KW-NT1J)**

(Lead free solder used in the board (material : Sn-Ag-Cu, melting point : 219 Centigrade))
 (Lead free solder used in the board (material : Sn-Cu, melting point : 230 Centigrade))



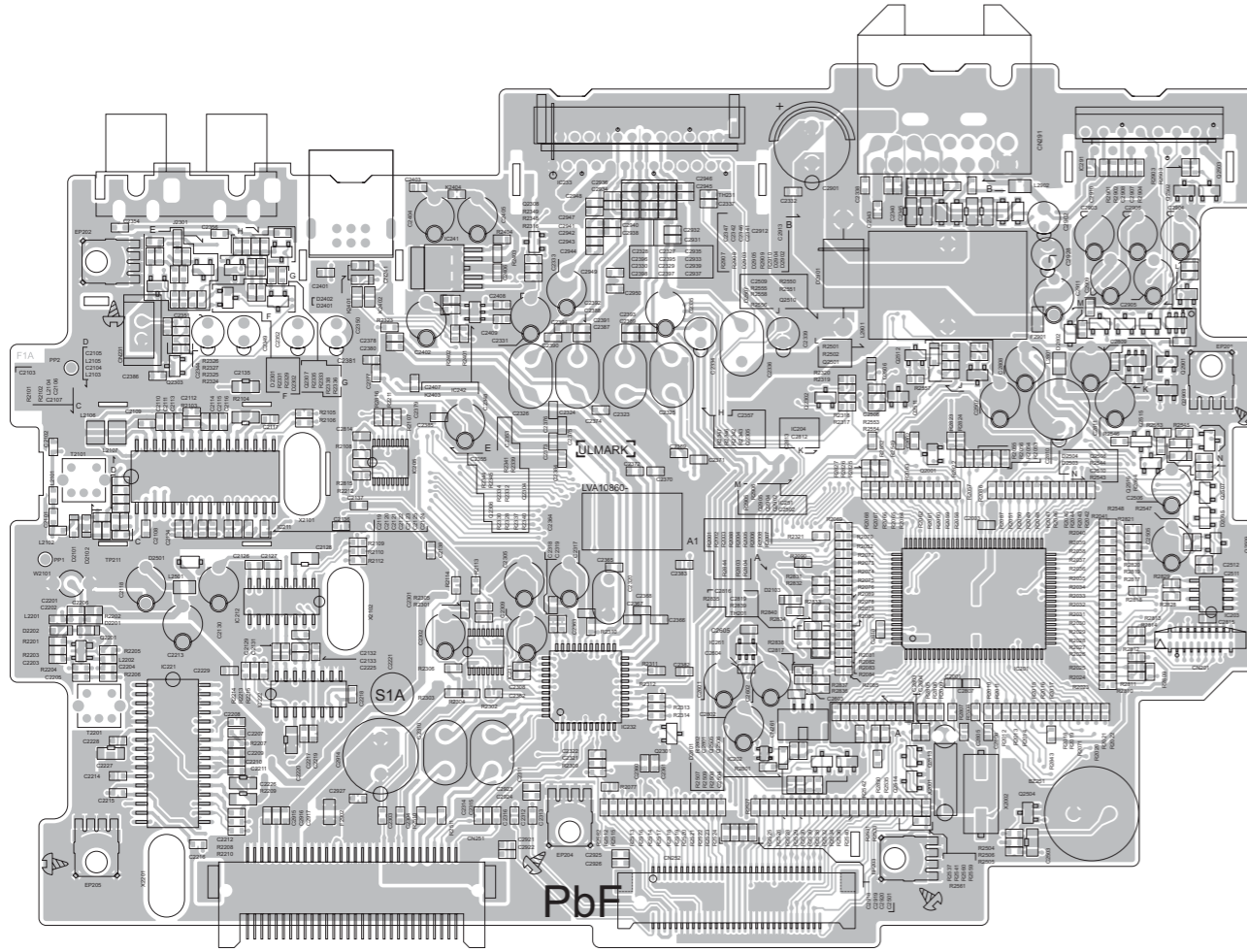
■ **Sensor IC board (old KW-NT1J)**

(Lead free solder used in the board (material : Sn-Ag-Cu, melting point : 219 Centigrade))
 (Lead free solder used in the board (material : Sn-Cu, melting point : 230 Centigrade))



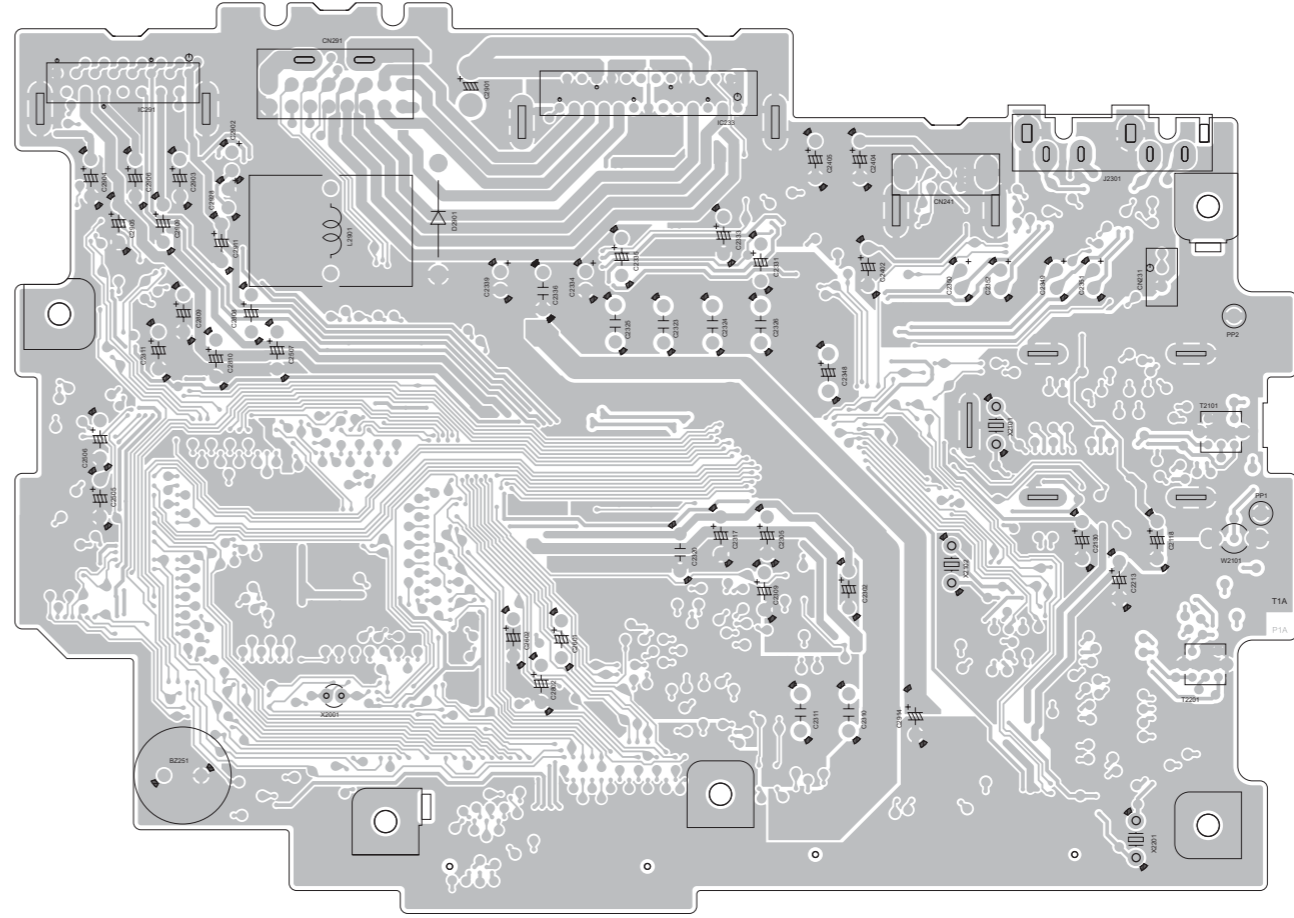
■ Main board (Common) (forward side)

(Lead free solder used in the board (material : Sn-Ag-Cu, melting point : 219 Centigrade))
(Lead free solder used in the board (material : Sn-Cu, melting point : 230 Centigrade))



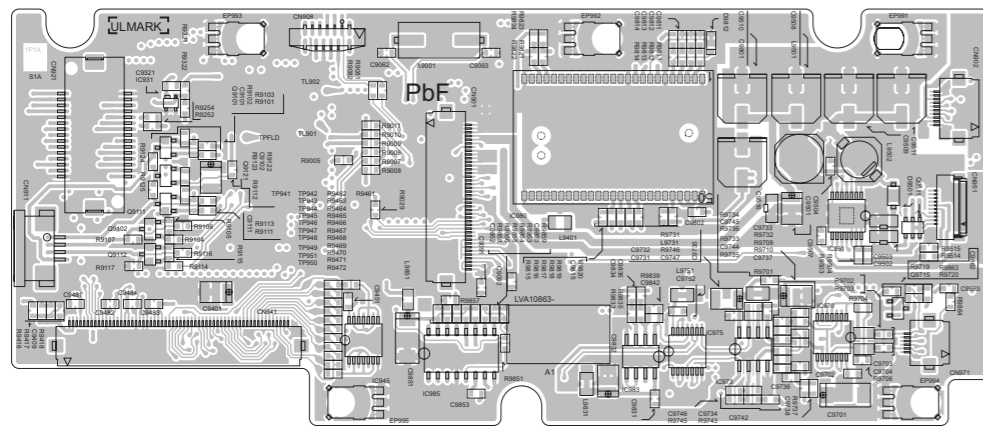
■ Main board (Common) (reverse side)

(Lead free solder used in the board (material : Sn-Ag-Cu, melting point : 219 Centigrade))
(Lead free solder used in the board (material : Sn-Cu, melting point : 230 Centigrade))



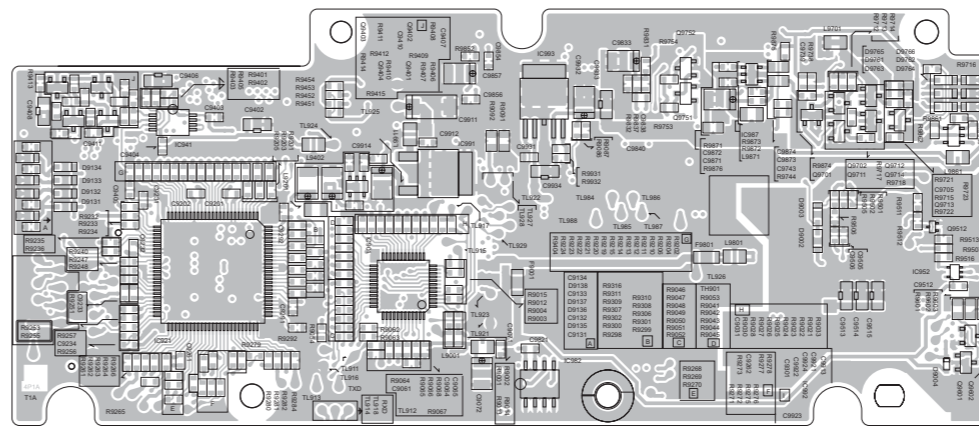
■ Main board (Common) (forward side)

(Lead free solder used in the board (material : Sn-Ag-Cu, melting point : 219 Centigrade))
(Lead free solder used in the board (material : Sn-Cu, melting point : 230 Centigrade))



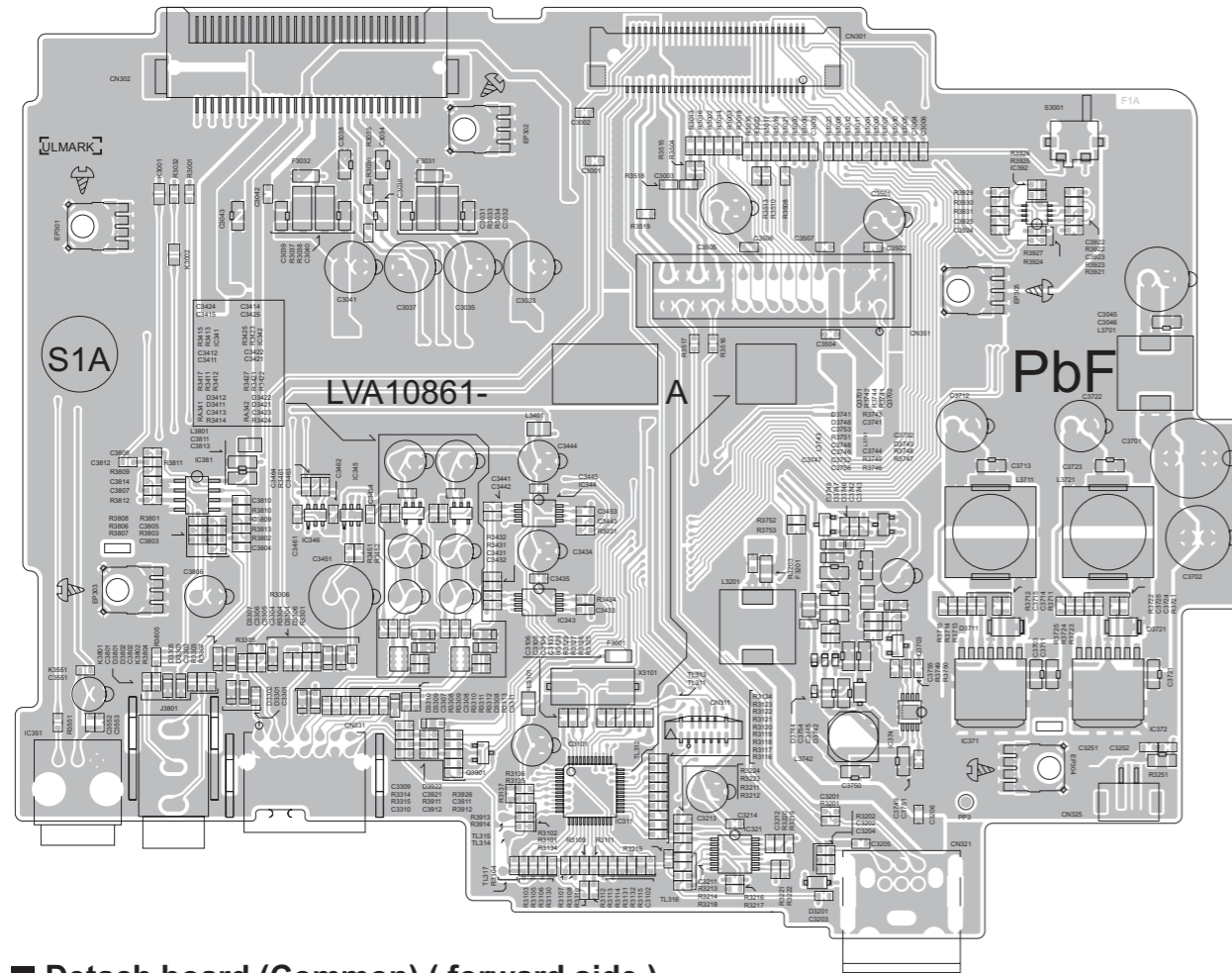
■ Main board (Common) (reverse side)

(Lead free solder used in the board (material : Sn-Ag-Cu, melting point : 219 Centigrade))
(Lead free solder used in the board (material : Sn-Cu, melting point : 230 Centigrade))



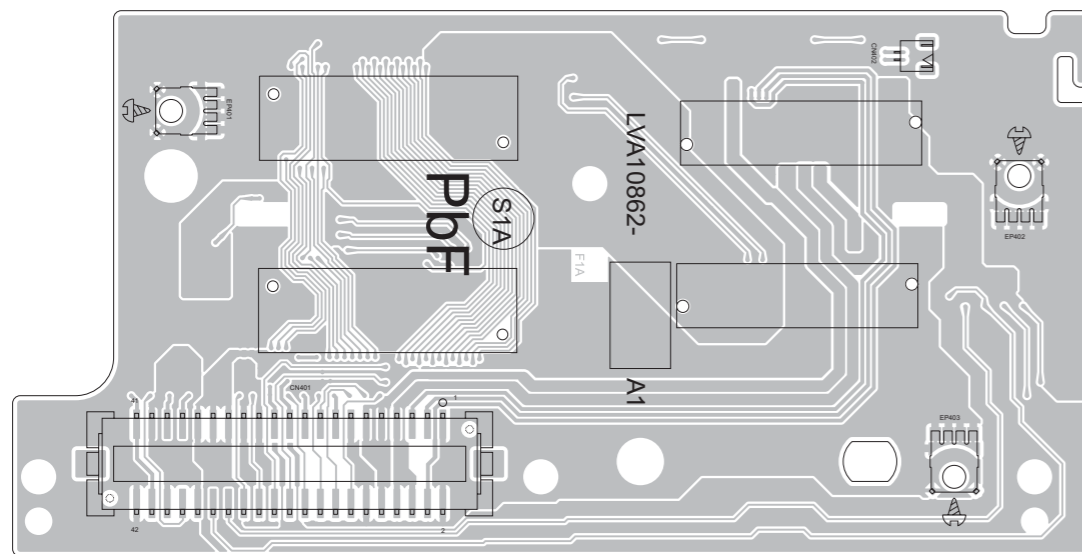
■ **Sub board (Common) (forward side)**

(Lead free solder used in the board (material : Sn-Ag-Cu, melting point : 219 Centigrade))
 (Lead free solder used in the board (material : Sn-Cu, melting point : 230 Centigrade))



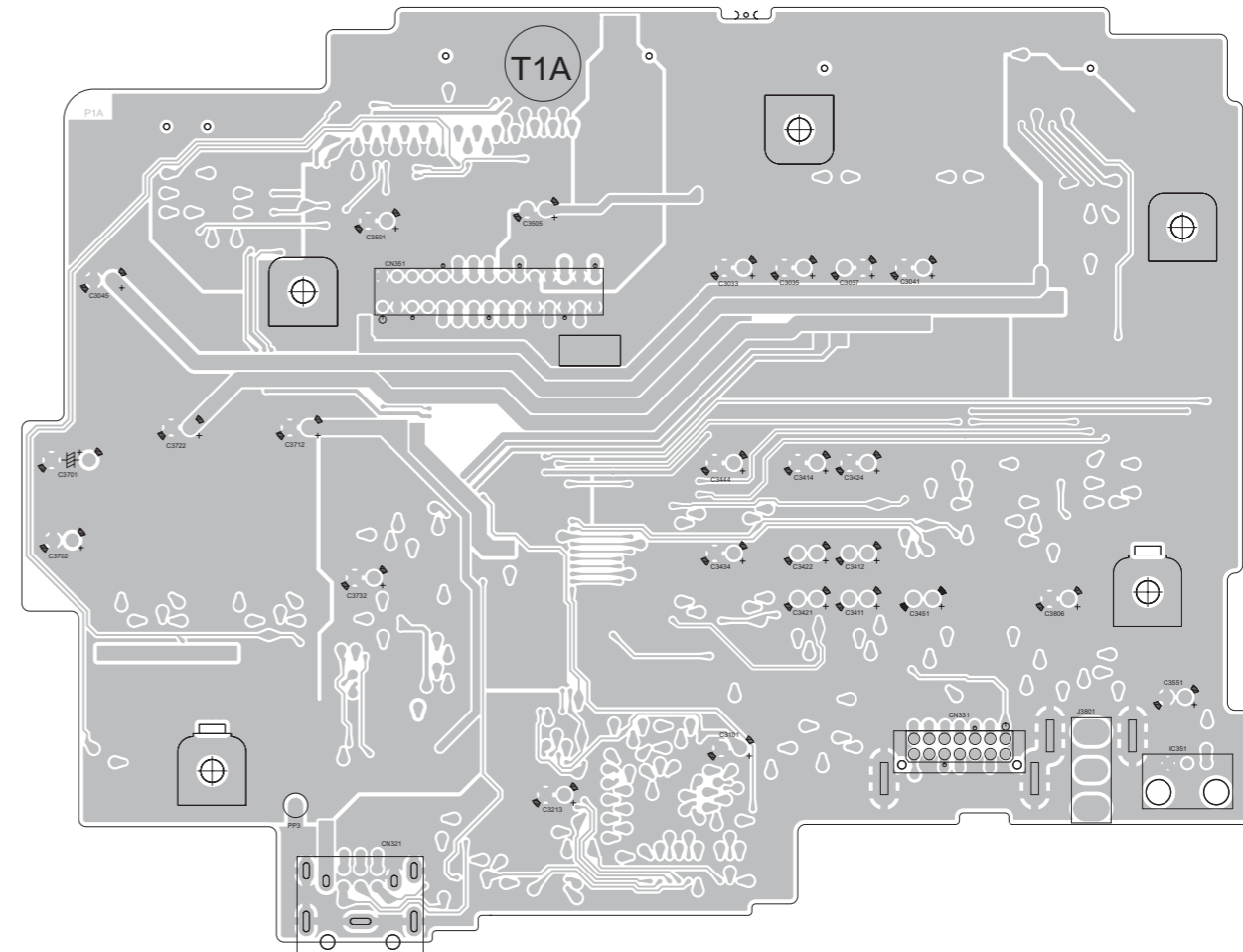
■ **Detach board (Common) (forward side)**

(Lead free solder used in the board (material : Sn-Ag-Cu, melting point : 219 Centigrade))
 (Lead free solder used in the board (material : Sn-Cu, melting point : 230 Centigrade))



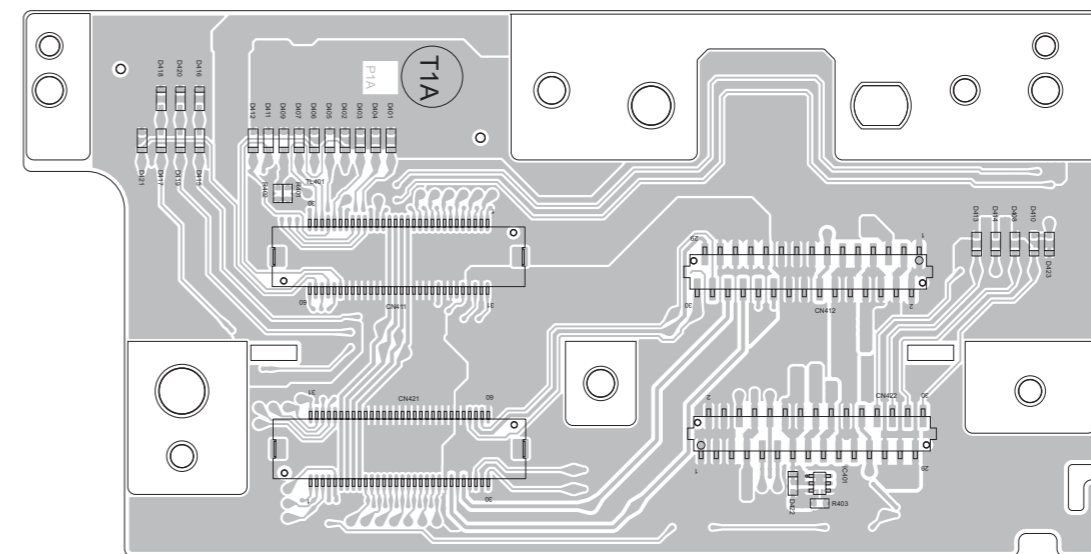
■ **Sub board (Common) (reverse side)**

(Lead free solder used in the board (material : Sn-Ag-Cu, melting point : 219 Centigrade))
 (Lead free solder used in the board (material : Sn-Cu, melting point : 230 Centigrade))



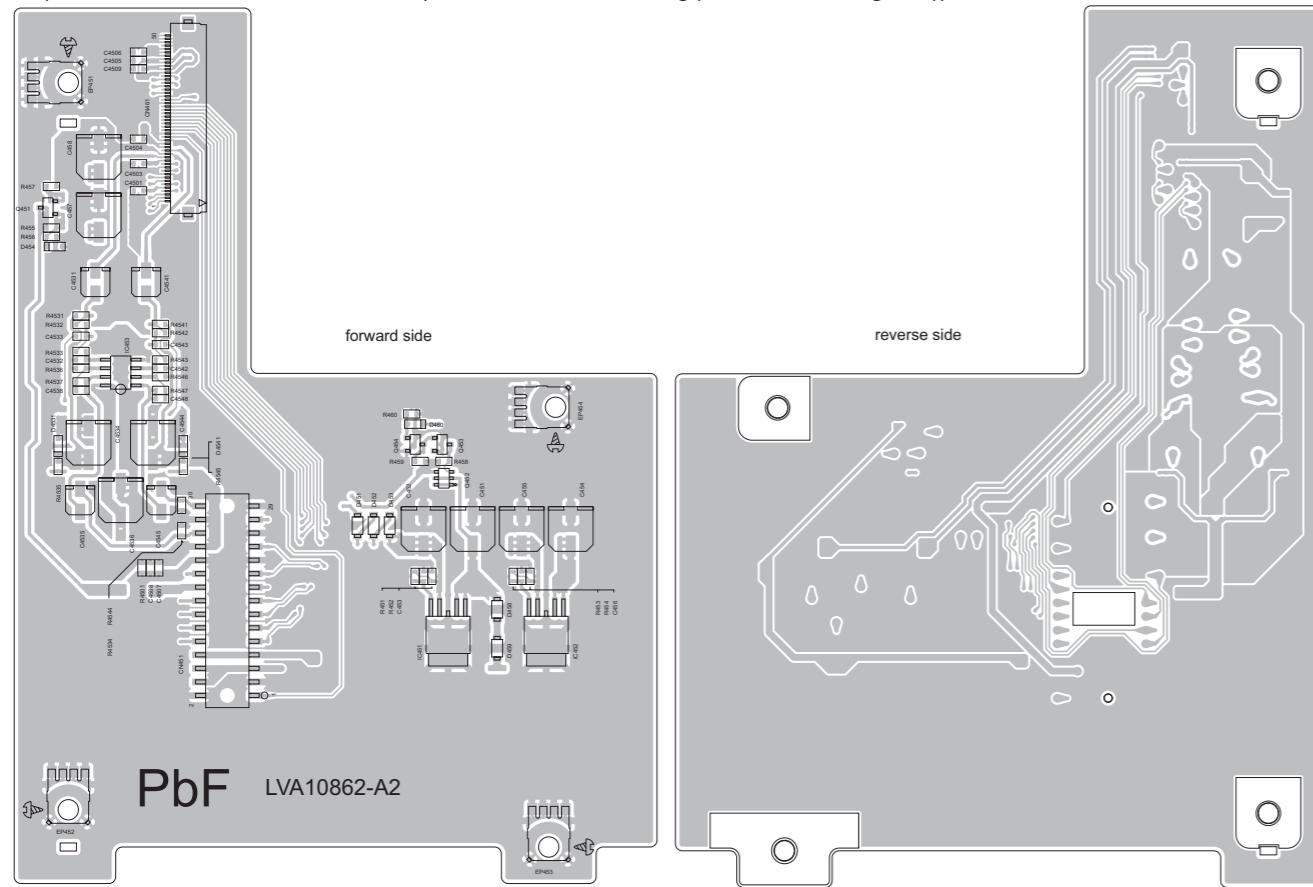
■ **Detach board (Common) (reverse side)**

(Lead free solder used in the board (material : Sn-Ag-Cu, melting point : 219 Centigrade))
 (Lead free solder used in the board (material : Sn-Cu, melting point : 230 Centigrade))



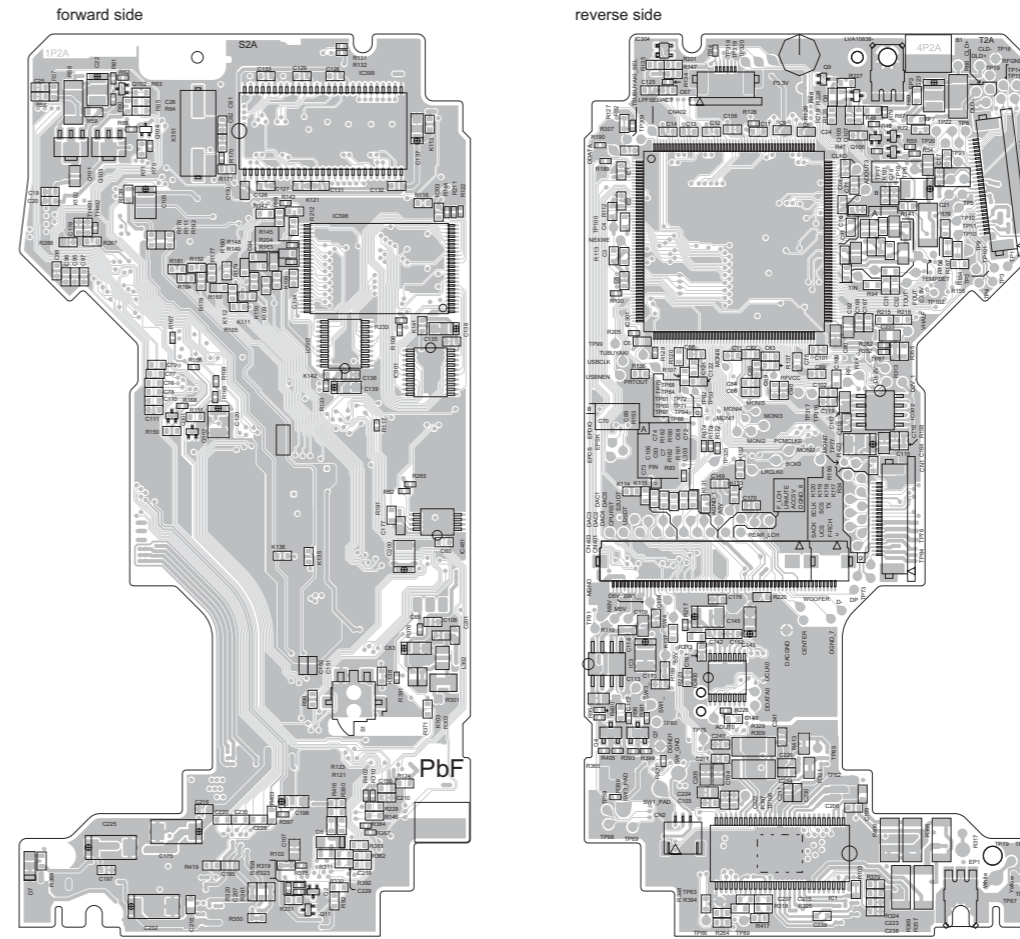
■ **Relay board (Common)**

(Lead free solder used in the board (material : Sn-Ag-Cu, melting point : 219 Centigrade))
 (Lead free solder used in the board (material : Sn-Cu, melting point : 230 Centigrade))



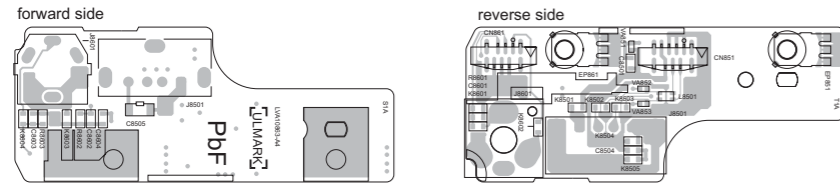
■ **Relay board (Common)**

(Lead free solder used in the board (material : Sn-Ag-Cu, melting point : 219 Centigrade))
 (Lead free solder used in the board (material : Sn-Cu, melting point : 230 Centigrade))



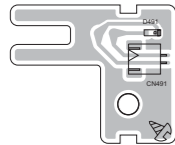
■ **Jack board (Common)**

(Lead free solder used in the board (material : Sn-Ag-Cu, melting point : 219 Centigrade))
 (Lead free solder used in the board (material : Sn-Cu, melting point : 230 Centigrade))



■ **SLOT-LED board (Common)**

(Lead free solder used in the board (material : Sn-Ag-Cu, melting point : 219 Centigrade))
 (Lead free solder used in the board (material : Sn-Cu, melting point : 230 Centigrade))



■ **Gyro board (Common)**

(Lead free solder used in the board (material : Sn-Ag-Cu, melting point : 219 Centigrade))
 (Lead free solder used in the board (material : Sn-Cu, melting point : 230 Centigrade))



■ **Sensor board (Common)**

(Lead free solder used in the board (material : Sn-Ag-Cu, melting point : 219 Centigrade))
 (Lead free solder used in the board (material : Sn-Cu, melting point : 230 Centigrade))



■ **Sensor board (Common)**

(Lead free solder used in the board (material : Sn-Ag-Cu, melting point : 219 Centigrade))
 (Lead free solder used in the board (material : Sn-Cu, melting point : 230 Centigrade))



■ **Sensor IC board (Common)**

(Lead free solder used in the board (material : Sn-Ag-Cu, melting point : 219 Centigrade))
 (Lead free solder used in the board (material : Sn-Cu, melting point : 230 Centigrade))



< MEMO >



Victor Company of Japan, Limited

Mobile Entertainment Division 10-1, 1chome, Ohwatari-machi, Maebashi-city, Gumma-ken, 371-8543, Japan

PARTS LIST

KW-NT1J, KW-NT1E

| MODEL | MARK |
|---------|------|
| KW-NT1J | A |
| KW-NT1E | B |

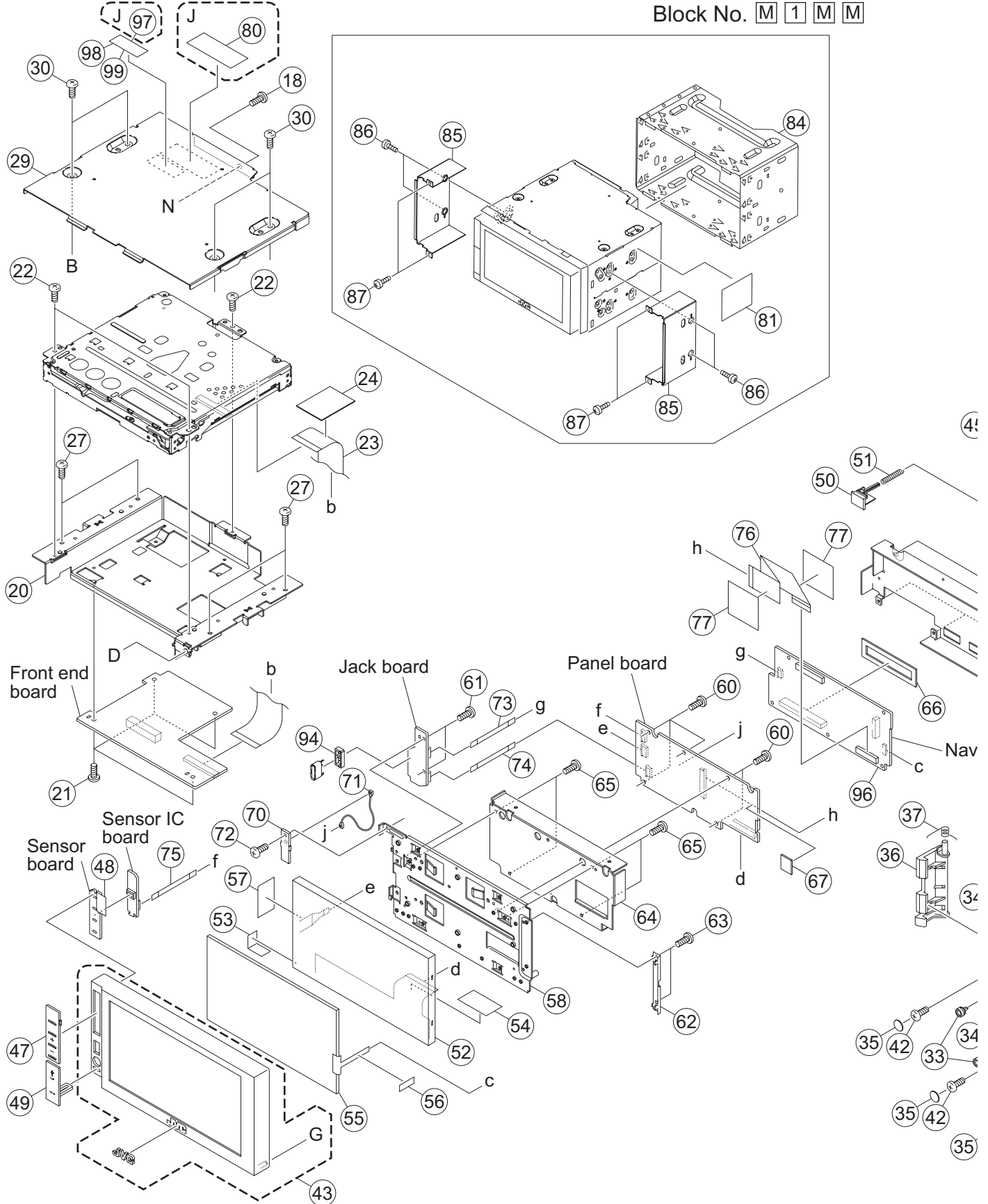
* All printed circuit boards and its assemblies are not available as service parts.

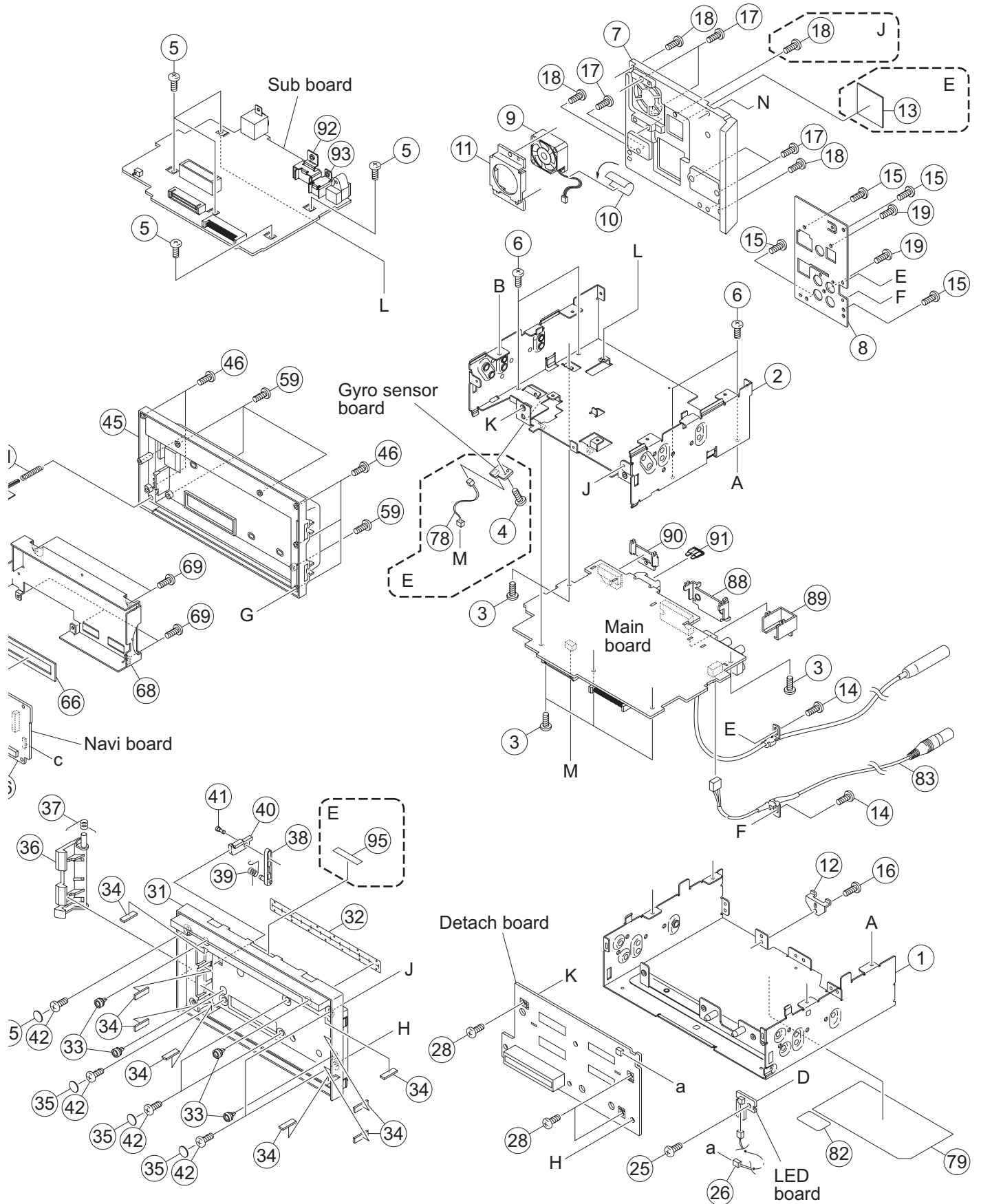
- Contents -

Exploded view of general assembly and parts list (Block No.M1) 3- 2
DVD mechanism assembly and parts list (Block No.MJ) old 3- 6
DVD mechanism assembly and parts list (Block No.MU) common 3- 8
Electrical parts list (Block No.01~10) 3-10
Packing materials and accessories parts list (Block No.M3) 3-36

Exploded view of general assembly and parts list

Block No. M 1 M M





The parts without symbol number are not service.

General Assembly

Block No. [M][1][M][M]

| △ | Symbol No. | Part No. | Part Name | Description | Local |
|---|------------|-----------------|------------------|----------------|-------|
| | 1 | LV22754-002A | B.CHASSIS ASSY | | |
| | 2 | LV11632-002A | TOP CHASSIS | | |
| | 3 | LV44800-005A | SPECIAL SCREW | (x5) | |
| | 4 | LV44800-005A | SPECIAL SCREW | | B |
| | 5 | LV44800-005A | SPECIAL SCREW | (x5) | |
| | 6 | LV44800-005A | SPECIAL SCREW | (x4) | |
| | 7 | LV11636-003A | REAR HEAT SINK | | |
| | 8 | LV45321-002A | REAR BRACKET | | |
| | 9 | QAR0455-001 | COOLING FAN | | |
| | 10 | LV40847-002A | SPACER | | |
| | 11 | LV37313-001A | FAN BKT(IN) | | |
| | 12 | LV45320-001A | POWER BKT | | |
| | 13 | LV45319-001A | COVER SHEET | | B |
| | 14 | LV44800-005A | SPECIAL SCREW | (x2) | |
| | 15 | LV44800-005A | SPECIAL SCREW | (x4) | |
| | 16 | LV44800-005A | SPECIAL SCREW | | |
| | 17 | LV41200-007A | SPECIAL SCREW | (x5) | |
| | 18 | LV44800-005A | SPECIAL SCREW | (x5) | A |
| | 18 | LV44800-005A | SPECIAL SCREW | (x4) | B |
| | 19 | QYSDSF2608ZA | TAP SCREW | M2.6 x 8mm(x2) | |
| | 20 | LV11633-001A | MECHA HOLD BKT | | |
| | 21 | LV44800-005A | SPECIAL SCREW | (x4) | |
| | 22 | LV44800-005A | SPECIAL SCREW | (x3) | |
| | 23 | QUQU05-5007BC-E | FFC WIRE | 50pin 7cm | |
| | 24 | LV44494-004A | PROTECT SHEET | | |
| | 25 | LV44800-005A | SPECIAL SCREW | | |
| | 26 | QJJ075-020702-E | SIN CR C-C WIRE | | |
| | 27 | LV44800-005A | SPECIAL SCREW | (x4) | |
| | 28 | LV44800-005A | SPECIAL SCREW | (x3) | |
| | 29 | LV11635-001A | TOP COVER | | |
| | 30 | LV44800-005A | SPECIAL SCREW | (x4) | |
| | 31 | LV22757-004A | F.CHASSIS ASSY | | |
| | 32 | LV45134-002A | BLIND | | |
| | 33 | LV44748-002A | DUMPER | (x4) | |
| | 34 | LV45314-001A | SHEET(FRONT) | (x8) | |
| | 35 | LV45009-002A | SCREW CAP | (x6) | |
| | 36 | LV22752-001A | LOCK LEVER | | |
| | 37 | LV45281-002A | LOCK SPRING | | |
| | 38 | LV38632-001A | KICK LEVER | | |
| | 39 | LV45282-001A | KICK SPRING | | |
| | 40 | LV38633-001A | RELEASE LEVER | | |
| | 41 | LV38636-001A | SHAFT(RELEASE) | | |
| | 42 | QYSDST2006ZA | TAP SCREW | M2 x 6mm(x6) | |
| | 43 | LV38851-001A | FRONT PANEL ASSY | | A |
| | 43 | LV38851-002A | FRONT PANEL ASSY | | B |
| | 45 | LV11627-003A | REAR COVER | | |
| | 46 | VKZ4777-012 | ANTI-THEFT SRW | (x6) | |
| | 47 | LV38619-002A | SENCOR PLATE | | |
| | 48 | LV40848-088A | SPACER(P) | | |
| | 49 | LV38620-003A | JACK COVER | | |
| | 50 | LV38621-001A | DETACH BUTTON | | |
| | 51 | LV45283-001A | COMP.SPRING | | |
| | 52 | QLD0615-001 | LCD MODULE | | |
| | 53 | LV40848-073A | SPACER(P) | | |
| | 54 | LV40847-053A | SPACER(H) | | |
| | 55 | QAL1195-001 | TOUCH PANEL | | |
| | 56 | LV40847-051A | SPACER(H) | | |
| | 57 | LV40848-089A | SPACER(H) | | |
| | 58 | LV38622-002A | PANEL BKT ASSY | | |
| | 59 | LV44159-005A | MINI SCREW | (x4) | |
| | 60 | LV44615-001A | SPECIAL SCREW | (x5) | |
| | 61 | LV44615-001A | SPECIAL SCREW | (x2) | |
| | 62 | LV38624-001A | LCD HOLDER R | | |
| | 63 | VKZ4539-055 | MINI SCREW | (x2) | |
| | 64 | LV22748-002A | SHIELD CASE | | |
| | 65 | VKZ4539-055 | MINI SCREW | (x4) | |
| | 66 | LV45313-001A | INSULATOR | | |
| | 67 | LV40848-085A | SPACER (P) | | |
| | 68 | LV38625-002A | SHIELD TOP ASSY | | |
| | 69 | LV44615-001A | SPECIAL SCREW | (x5) | |
| | 70 | LVA10808-01AD | BT ANT | | |
| | 71 | QAM1059-001 | COAXIAL CABLE | | |
| | 72 | LV44615-001A | SPECIAL SCREW | | |
| | 73 | QUQU05-0704AC-E | FFC WIRE | 7pin 4cm | |

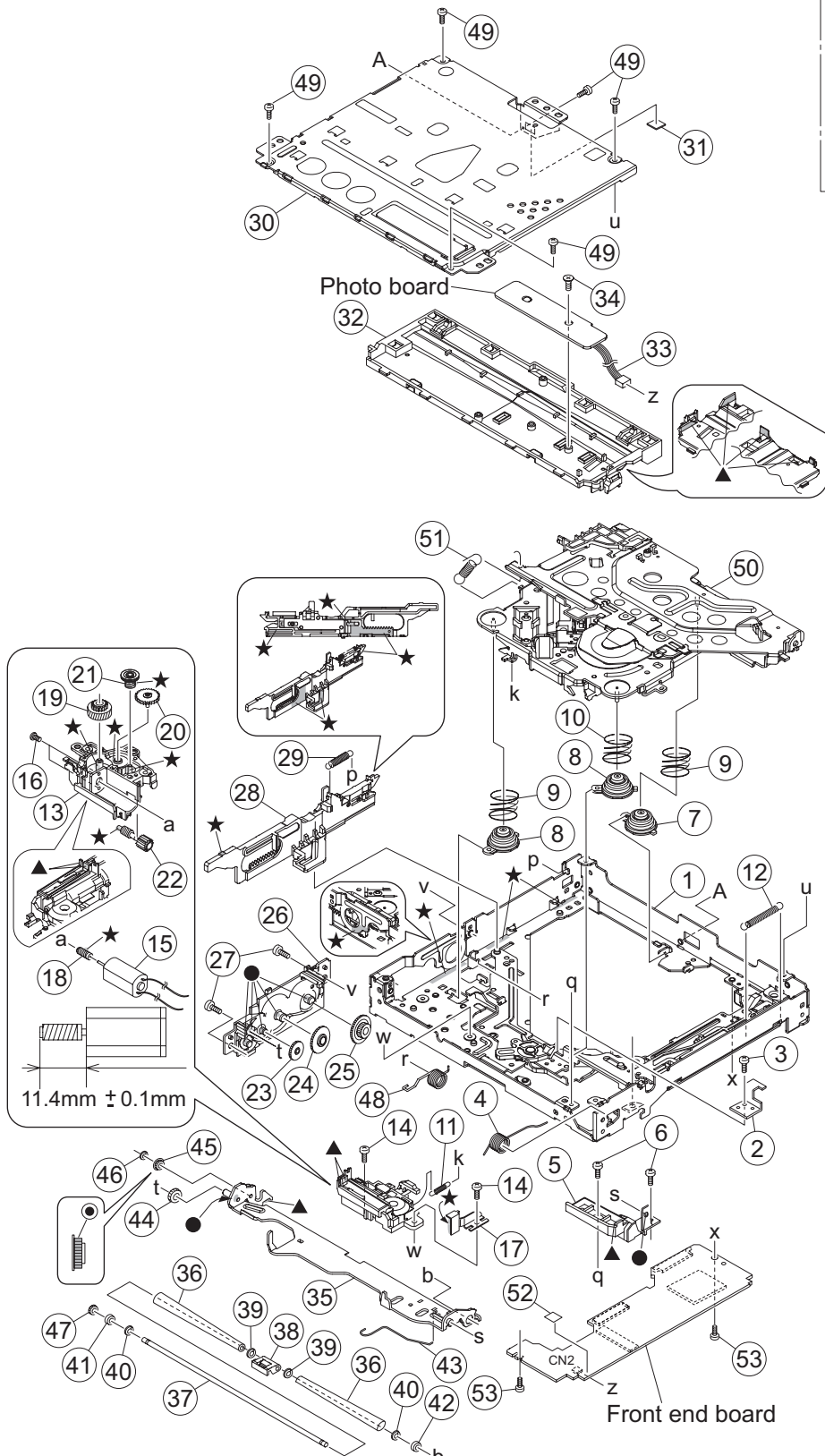
| △ | Symbol No. | Part No. | Part Name | Description | Local |
|---|------------|-----------------|-----------------|--|-------|
| | 74 | QUQU05-0604AC-E | FFC WIRE | 6pin 4cm | |
| | 75 | QUQU05-1004AC-E | FFC WIRE | 10pin 4cm | |
| | 76 | QUQU05-4015AC-E | FFC WIRE | 40pin 15cm | |
| | 77 | LV45315-001A | PROTECT SHEET | (x2) | |
| | 78 | WJJ1060-001A-E | E-SI C WIRE C-C | | B |
| | 79 | LV38717-002A | NAME PLATE | | A |
| | 79 | LV38718-002A | NAME PLATE | | B |
| | 80 | LV45288-001A | FCC ID LABEL | | A |
| | 81 | LV42940-002A | CAUTION LABEL | | |
| | 82 | LV44938-001A | WINDOWS LABEL | | |
| | 83 | QAM1216-001 | CAR CABLE | | |
| | 84 | LV22425-007A | SLEEVE ASSY | | |
| | 85 | LV37151-005A | SUPPORT BKT | (x2) | |
| | 86 | QYSSSP5008ZA | SCREW | M5 x 8mm(x4) | |
| | 87 | QYSDSP2603ZA | SCREW | M2.6 x 3mm(x4) | |
| | 88 | LV43967-001A | IC BRACKET | BK233 | |
| | 89 | LV38635-001A | GPS BKT | BK241 | |
| | 90 | LV37825-004A | REG. IC BKT | BK291 | |
| △ | 91 | QMFZ039-150-T | FUSE | 15A F2900 | |
| | 92 | LV36554-002A | CONNECTOR BKT | BK331 | |
| | 93 | LV38639-001A | MIC BKT | BK381 | |
| | 94 | GE40416-001A | USB HOLDER | J8501 | |
| | 95 | LV40847-054A | SPACER(H) | | B |
| | 96 | CB-NT1JD | NAVI BOARD ASSY | | A |
| | 96 | CB-NT1ED | NAVI BOARD ASSY | | B |
| | 97 | LV45386-001A | LABEL(R2) | When electrical boards of KW-NT1J are exchanged, this label is pasted. | A |
| | 98 | LV45408-001A | LABEL(M2/R2) | When mechanism exchanges from "FMU-XD3-21D" to "FMU-XD3-22D", and Electrical boards are exchanged, this label is pasted. | A |
| | 99 | LV45400-001A | LABEL(M2) | When mechanism of KW-NT1E is exchanged from "FMU-XD3-21D" to "FMU-XD3-22D", this label is pasted. | |

Old DVD mechanism assembly and parts list

FMU-XD3-21D

Block No. M J M M

| Grease | |
|--------|------------|
| ★ | =JVG-31N |
| ◎ | =JVS-1003 |
| ▲ | =CFD-006ZR |
| ● | =JC-803B |
| ■ | =1401C |
| △ | =G332 |



The parts without symbol number are not service.

Old DVD mechanism [FMU-XD3-21D]

Block No. [M][J][M][M]

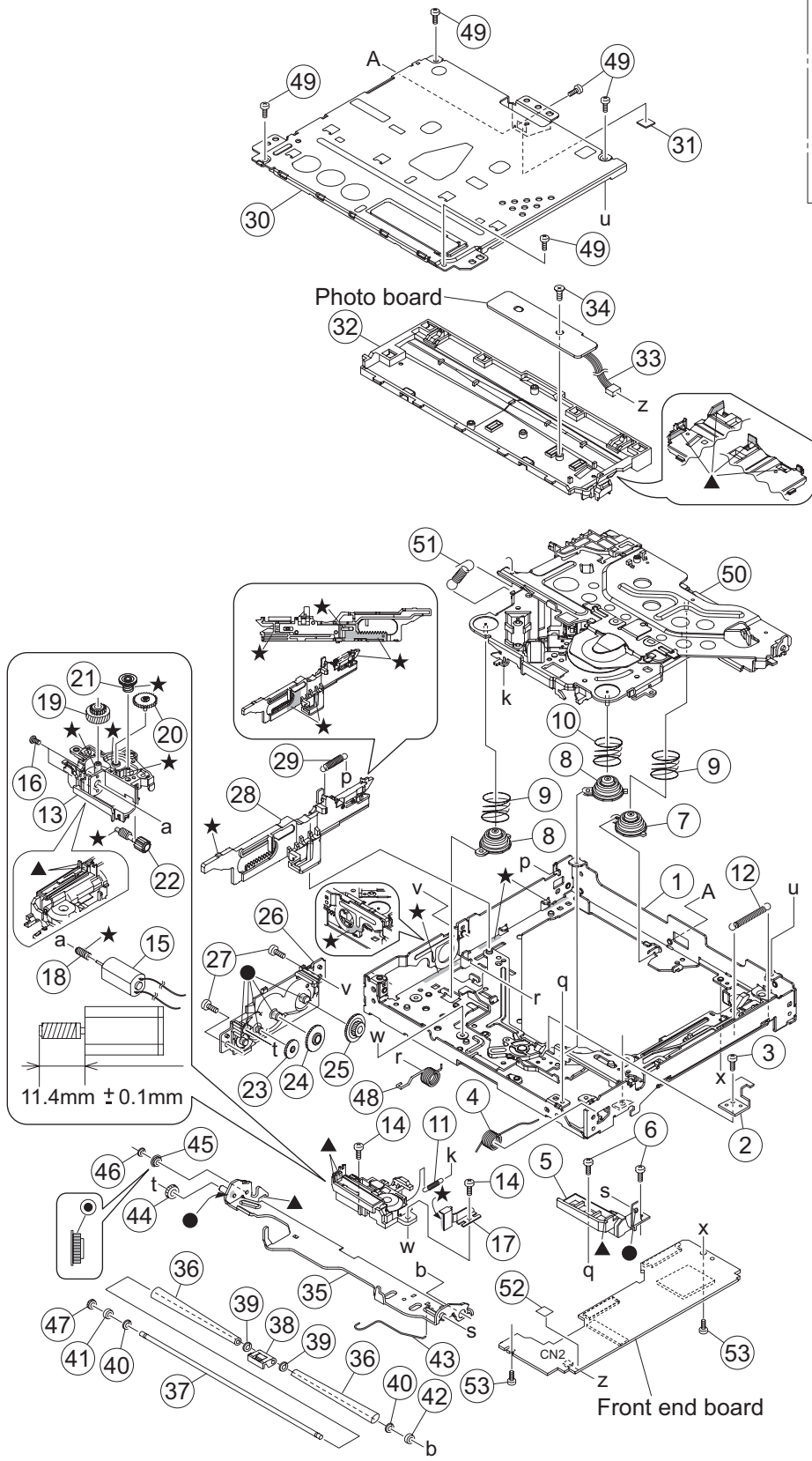
| △ | Symbol No. | Part No. | Part Name | Description | Local |
|---|------------|----------------|-----------------|----------------------|-------|
| | 1 | LV11434-008A | FRAME UNIT | | |
| | 2 | LV45021-001A | STOPPER | | |
| | 3 | LV44959-002A | SPECIAL SCREW | | |
| | 4 | LV45249-002A | L A SPRING(R) 2 | | |
| | 5 | LV37639-002A | L ARM HOLDER | | |
| | 6 | VKZ4539-054 | MINI SCREW | (x2) | |
| | 7 | LV37640-001A | DAMPER(R) | | |
| | 8 | LV37641-001A | DAMPER(F) | (x2) | |
| | 9 | LV45074-001A | DAMPER SPRING B | (x2) | |
| | 10 | LV45073-001A | DAMPER SPRING A | | |
| | 11 | LV44897-002A | FLOATING SPRING | | |
| | 12 | LV44894-001A | LOCK SLIDER SPR | | |
| | 13 | LV11436-001A | MOTOR HOLDER | | |
| | 14 | LV45135-001A | MINI TAP SCREW | (x2) | |
| | 15 | QAR0465-001 | LOADING MOTOR | | |
| | 16 | QYSPSPU1425MA | SCREW | M1.4 x 2.5mm(x2) | |
| | 17 | LV37642-001A | MOTOR TH SPRING | | |
| | 18 | LV37643-001A | MOTOR WORM | | |
| | 19 | LV37644-002A | M WHEEL GEAR | | |
| | 20 | LV37645-002A | M CONNECT GEAR | | |
| | 21 | LV37646-001A | A WORM GEAR | | |
| | 22 | LV37647-001A | A WHEEL GEAR | | |
| | 23 | LV37648-001A | ACT GEAR | | |
| | 24 | LV37649-001A | A CONNECT GAER | | |
| | 25 | LV37650-001A | LOAD GAER | | |
| | 26 | LV22553-003A | GEAR BASE | | |
| | 27 | VKZ4539-054 | MINI SCREW | (x2) | |
| | 28 | LV37688-002A | SLIDE CAM ASSY | | |
| | 29 | LV45090-001A | S.CAM SPRING | | |
| | 30 | LV11437-003A | TOP COVER | | |
| | 31 | LV45157-001A | SPACER | | |
| | 32 | LV11600-001A | DISC PLATE 2 | | |
| | 33 | WJM0515-001A-E | E-SI C WIRE C-F | | |
| | 34 | LV44586-001A | SPECIAL SCREW | | |
| | 35 | LV22735-001A | LOADING A AS 2 | | |
| | 36 | LV44902-002A | ROLLER | (x2) | |
| | 37 | LV45244-001A | ROLLER SHAFT 2 | | |
| | 38 | LV37652-002A | SHAFT GUIDE | | |
| | 39 | LV45252-001A | WASHER | (x2) | |
| | 40 | LV44960-001A | SLIT WASHER | (x2) | |
| | 41 | LV44904-001A | ROLLER COLLAR L | | |
| | 42 | LV45221-001A | R. COLLAR R2 | | |
| | 43 | LV45235-001A | L ARM ROD | | |
| | 44 | LV37653-001A | CONNECT GEAR | | |
| | 45 | LV37654-001A | MIDDLE GEAR | | |
| | 46 | QYWDL1735250 | SLIT WASHER | 3.5mm/1.7mm x 0.25mm | |
| | 47 | LV37655-001A | ROLLER GAER | | |
| | 48 | LV45248-001A | L A SPRING(L) 2 | | |
| | 49 | VKZ4539-054 | MINI SCREW | (x5) | |
| | 50 | CM-FMUXD3D | TRA MECHA UNIT | | |
| | 51 | LV44910-002A | CLAMPER SPRING | | |
| | 52 | LV45289-002A | SPACER(P) | | |
| | 53 | VKZ4539-054 | MINI SCREW | (x2) | |

DVD mechanism assembly and parts list (common)

FMU-XD3-22D

Block No. M U M M

| Grease | |
|--------|------------|
| ★ | =JVG-31N |
| ◎ | =JVS-1003 |
| ▲ | =CFD-006ZR |
| ● | =JC-803B |
| ■ | =1401C |
| △ | =G332 |



The parts without symbol number are not service.

DVD mechanism (common) [FMU-XD3-22D]

Block No. [M][U][M][M]

| △ | Symbol No. | Part No. | Part Name | Description | Local |
|---|------------|----------------|-----------------|----------------------|-------|
| | 1 | LV11434-008A | FRAME UNIT | | |
| | 2 | LV45021-001A | STOPPER | | |
| | 3 | LV44959-002A | SPECIAL SCREW | | |
| | 4 | LV45249-002A | L A SPRING(R) 2 | | |
| | 5 | LV37639-002A | L ARM HOLDER | | |
| | 6 | VKZ4539-054 | MINI SCREW | (x2) | |
| | 7 | LV37640-001A | DAMPER(R) | | |
| | 8 | LV37641-001A | DAMPER(F) | (x2) | |
| | 9 | LV45074-001A | DAMPER SPRING B | (x2) | |
| | 10 | LV45073-001A | DAMPER SPRING A | | |
| | 11 | LV44897-002A | FLOATING SPRING | | |
| | 12 | LV44894-001A | LOCK SLIDER SPR | | |
| | 13 | LV11436-001A | MOTOR HOLDER | | |
| | 14 | LV45135-001A | MINI TAP SCREW | (x2) | |
| | 15 | QAR0465-001 | LOADING MOTOR | | |
| | 16 | QYSPSPU1425MA | SCREW | M1.4 x 2.5mm(x2) | |
| | 17 | LV37642-001A | MOTOR TH SPRING | | |
| | 18 | LV37643-001A | MOTOR WORM | | |
| | 19 | LV37644-002A | M WHEEL GEAR | | |
| | 20 | LV37645-002A | M CONNECT GEAR | | |
| | 21 | LV37646-001A | A WORM GEAR | | |
| | 22 | LV37647-001A | A WHEEL GEAR | | |
| | 23 | LV37648-001A | ACT GEAR | | |
| | 24 | LV37649-001A | A CONNECT GAER | | |
| | 25 | LV37650-001A | LOAD GAER | | |
| | 26 | LV22553-003A | GEAR BASE | | |
| | 27 | VKZ4539-054 | MINI SCREW | (x2) | |
| | 28 | LV37688-002A | SLIDE CAM ASSY | | |
| | 29 | LV45090-001A | S.CAM SPRING | | |
| | 30 | LV11437-003A | TOP COVER | | |
| | 31 | LV45157-001A | SPACER | | |
| | 32 | LV11600-001A | DISC PLATE 2 | | |
| | 33 | WJM0515-001A-E | E-SI C WIRE C-F | | |
| | 34 | LV44586-001A | SPECIAL SCREW | | |
| | 35 | LV22735-001A | LOADING A AS 2 | | |
| | 36 | LV44902-002A | ROLLER | (x2) | |
| | 37 | LV45244-001A | ROLLER SHAFT 2 | | |
| | 38 | LV37652-002A | SHAFT GUIDE | | |
| | 39 | LV45252-001A | WASHER | (x2) | |
| | 40 | LV44960-001A | SLIT WASHER | (x2) | |
| | 41 | LV44904-001A | ROLLER COLLAR L | | |
| | 42 | LV45221-001A | R. COLLAR R2 | | |
| | 43 | LV45235-001A | L ARM ROD | | |
| | 44 | LV37653-001A | CONNECT GEAR | | |
| | 45 | LV37654-001A | MIDDLE GEAR | | |
| | 46 | QYWDL1735250 | SLIT WASHER | 3.5mm/1.7mm x 0.25mm | |
| | 47 | LV37655-001A | ROLLER GAER | | |
| | 48 | LV45248-001A | L A SPRING(L) 2 | | |
| | 49 | VKZ4539-054 | MINI SCREW | (x5) | |
| | 50 | CM-FMUXD3D | TRA MECHA UNIT | | |
| | 51 | LV44910-002A | CLAMPER SPRING | | |
| | 52 | LV45289-002A | SPACER(P) | | |
| | 53 | VKZ4539-054 | MINI SCREW | (x2) | |

Electrical parts list

Old Main board (old KW-NT1J)

Block No. [0][1]

| △ Symbol No. | Part No. | Part Name | Description | Local |
|--------------|-----------------|-----------------|--------------|-------|
| IC201 | JVM4224 | IC(PROGRAMED) | | |
| IC202 | S-80828CNNB-G-W | IC | | |
| IC203 | M24C32-RMN6-X | IC(EEPROM) | | |
| IC204 | NJM2871BF33-X | IC | | |
| IC211 | TEF6606T/V3-X | IC1 | | |
| IC231 | TC74HCT4053AFTX | IC | | |
| IC232 | TDA7416 | IC | | |
| IC233 | TB2926CHQ | IC | | |
| IC241 | BA00CC0WFP-X | IC | | |
| IC242 | NJM2871BF33-X | IC | | |
| IC251 | RSQ030P03-W | MOS FET | | |
| IC291 | R2S25400DS-E | IC | | |
| Q2001 | RT1N441C-X | TRANSISTOR | | |
| Q2001 | or UN2213-X | DIGI TRANSISTOR | | |
| Q2301 | RT1N141C-X | DIGI TRANSISTOR | | |
| Q2302 | 2SC1623A/5-6/-X | TRANSISTOR | | |
| Q2303 | 2SD2114K/VW/-X | TRANSISTOR | | |
| Q2304 | 2SD2114K/VW/-X | TRANSISTOR | | |
| Q2305 | 2SD2114K/VW/-X | TRANSISTOR | | |
| Q2306 | 2SD2114K/VW/-X | TRANSISTOR | | |
| Q2307 | 2SD2114K/VW/-X | TRANSISTOR | | |
| Q2308 | RT1N441C-X | TRANSISTOR | | |
| Q2501 | RT1N441C-X | TRANSISTOR | | |
| Q2501 | or UN2213-X | DIGI TRANSISTOR | | |
| Q2502 | RT1N141C-X | DIGI TRANSISTOR | | |
| Q2503 | RT1P141C-X | DIGI TRANSISTOR | | |
| Q2504 | RT1N141C-X | DIGI TRANSISTOR | | |
| Q2505 | RT1N441C-X | TRANSISTOR | | |
| Q2505 | or UN2213-X | DIGI TRANSISTOR | | |
| Q2506 | RT1N441C-X | TRANSISTOR | | |
| Q2506 | or UN2213-X | DIGI TRANSISTOR | | |
| Q2507 | 2SA812A/5-6/-X | TRANSISTOR | | |
| Q2508 | 2SA812A/5-6/-X | TRANSISTOR | | |
| Q2509 | 2SA812A/5-6/-X | TRANSISTOR | | |
| Q2510 | 2SC1623A/5-6/-X | TRANSISTOR | | |
| Q2511 | RT1N141C-X | DIGI TRANSISTOR | | |
| Q2512 | RT1N141C-X | DIGI TRANSISTOR | | |
| Q2513 | RT1N141C-X | DIGI TRANSISTOR | | |
| Q2514 | RT1N141C-X | DIGI TRANSISTOR | | |
| Q2515 | 2SA812A/5-6/-X | TRANSISTOR | | |
| Q2516 | RT1N141C-X | DIGI TRANSISTOR | | |
| Q2901 | RT1N141C-X | DIGI TRANSISTOR | | |
| Q2902 | RT1P141C-X | DIGI TRANSISTOR | | |
| Q2903 | RT1N141C-X | DIGI TRANSISTOR | | |
| Q2904 | RT1P141C-X | DIGI TRANSISTOR | | |
| Q2905 | 2SA812A/5-6/-X | TRANSISTOR | | |
| D2103 | MA111-X | SI DIODE | | |
| D2201 | MA111-X | SI DIODE | | |
| D2202 | MA111-X | SI DIODE | | |
| D2301 | MC2836-X | DIODE | | |
| D2302 | MC2836-X | DIODE | | |
| D2401 | MA8062/M/-X | Z DIODE | | |
| D2402 | MA8062/M/-X | Z DIODE | | |
| D2501 | MA22D39-X | SB DIODE | | |
| D2503 | MA8110/L/-X | Z DIODE | | |
| D2504 | MA111-X | SI DIODE | | |
| D2505 | MC2836-X | DIODE | | |
| D2506 | MA111-X | SI DIODE | | |
| D2507 | MA111-X | SI DIODE | | |
| D2801 | MA111-X | SI DIODE | | |
| D2802 | MA22D39-X | SB DIODE | | |
| D2901 | 1N5401-04 | SI DIODE | | |
| D2902 | MA22D39-X | SB DIODE | | |
| D2903 | MA22D39-X | SB DIODE | | |
| D2904 | MA22D39-X | SB DIODE | | |
| D2905 | MA22D39-X | SB DIODE | | |
| C2001 | NCB31CK-104X | C CAPACITOR | 0.1uF 16V K | |
| C2002 | NCB31HK-103X | C CAPACITOR | 0.01uF 50V K | |
| C2003 | NCB31CK-104X | C CAPACITOR | 0.1uF 16V K | |

| △ Symbol No. | Part No. | Part Name | Description | Local |
|--------------|--------------|--------------|---------------|-------|
| C2101 | NDC31HJ-150X | C CAPACITOR | 15pF 50V J | |
| C2102 | NDC31HJ-220X | C CAPACITOR | 22pF 50V J | |
| C2103 | NCB31HK-102X | C CAPACITOR | 1000pF 50V K | |
| C2104 | NDC31HJ-7R0X | C CAPACITOR | 7pF 50V J | |
| C2105 | NDC31HJ-6R0X | C CAPACITOR | 6pF 50V J | |
| C2106 | NDC31HJ-2R0X | C CAPACITOR | 2pF 50V J | |
| C2107 | NCB31HK-104X | C CAPACITOR | 0.1uF 50V K | |
| C2108 | NCB31CK-224X | C CAPACITOR | 0.22uF 16V K | |
| C2109 | NCB31CK-105X | C CAPACITOR | 1uF 16V K | |
| C2110 | NCB31HK-103X | C CAPACITOR | 0.01uF 50V K | |
| C2111 | NCB31HK-103X | C CAPACITOR | 0.01uF 50V K | |
| C2112 | NCB31HK-104X | C CAPACITOR | 0.1uF 50V K | |
| C2113 | NCB31HK-103X | C CAPACITOR | 0.01uF 50V K | |
| C2114 | NCB31HK-103X | C CAPACITOR | 0.01uF 50V K | |
| C2115 | NCB31HK-104X | C CAPACITOR | 0.1uF 50V K | |
| C2116 | NCB31CK-105X | C CAPACITOR | 1uF 16V K | |
| C2117 | NCB31HK-104X | C CAPACITOR | 0.1uF 50V K | |
| C2118 | QETN1HM-106Z | E CAPACITOR | 10uF 50V M | |
| C2119 | NCB31CK-224X | C CAPACITOR | 0.22uF 16V K | |
| C2120 | NCB31CK-105X | C CAPACITOR | 1uF 16V K | |
| C2121 | NCB31CK-105X | C CAPACITOR | 1uF 16V K | |
| C2122 | NCB31CK-224X | C CAPACITOR | 0.22uF 16V K | |
| C2123 | NCB31HK-104X | C CAPACITOR | 0.1uF 50V K | |
| C2124 | NDC31HJ-150X | C CAPACITOR | 15pF 50V J | |
| C2136 | NDC31HJ-101X | C CAPACITOR | 100pF 50V J | |
| C2137 | NDC31HJ-101X | C CAPACITOR | 100pF 50V J | |
| C2138 | NDC31HJ-101X | C CAPACITOR | 100pF 50V J | |
| C2201 | NDC31HJ-330X | C CAPACITOR | 33pF 50V J | |
| C2202 | NDC31HJ-330X | C CAPACITOR | 33pF 50V J | |
| C2229 | NDC31HJ-101X | C CAPACITOR | 100pF 50V J | |
| C2301 | NDC31HJ-101X | C CAPACITOR | 100pF 50V J | |
| C2302 | QETN1HM-226Z | E CAPACITOR | 22uF 50V M | |
| C2303 | NCB31CK-105X | C CAPACITOR | 1uF 16V K | |
| C2304 | NCB31CK-105X | C CAPACITOR | 1uF 16V K | |
| C2305 | QETN1CM-107Z | E CAPACITOR | 100uF 16V M | |
| C2309 | QETN1HM-226Z | E CAPACITOR | 22uF 50V M | |
| C2310 | QFV91HJ-474Z | MF CAPACITOR | 0.47uF 50V J | |
| C2311 | QFV91HJ-474Z | MF CAPACITOR | 0.47uF 50V J | |
| C2312 | NCB31CK-105X | C CAPACITOR | 1uF 16V K | |
| C2313 | NCB31CK-105X | C CAPACITOR | 1uF 16V K | |
| C2314 | NCB31CK-105X | C CAPACITOR | 1uF 16V K | |
| C2315 | NCB31CK-105X | C CAPACITOR | 1uF 16V K | |
| C2316 | NCB31CK-105X | C CAPACITOR | 1uF 16V K | |
| C2317 | QETN1CM-107Z | E CAPACITOR | 100uF 16V M | |
| C2320 | QFN31HJ-473Z | M CAPACITOR | 0.047uF 50V J | |
| C2321 | NCB31HK-563X | C CAPACITOR | 0.056uF 50V K | |
| C2322 | NCB31HK-104X | C CAPACITOR | 0.1uF 50V K | |
| C2323 | QFV91HJ-474Z | MF CAPACITOR | 0.47uF 50V J | |
| C2324 | QFV91HJ-474Z | MF CAPACITOR | 0.47uF 50V J | |
| C2325 | QFV91HJ-474Z | MF CAPACITOR | 0.47uF 50V J | |
| C2326 | QFV91HJ-474Z | MF CAPACITOR | 0.47uF 50V J | |
| C2327 | NDC31HJ-470X | C CAPACITOR | 47pF 50V J | |
| C2328 | NDC31HJ-470X | C CAPACITOR | 47pF 50V J | |
| C2329 | NDC31HJ-470X | C CAPACITOR | 47pF 50V J | |
| C2330 | NDC31HJ-470X | C CAPACITOR | 47pF 50V J | |
| C2331 | QETN1HM-226Z | E CAPACITOR | 22uF 50V M | |
| C2332 | NDC31HJ-471X | C CAPACITOR | 470pF 50V J | |
| C2333 | QETN1EM-476Z | E CAPACITOR | 47uF 25V M | |
| C2334 | QEKJ1HM-225Z | E CAPACITOR | 2.2uF 50V M | |
| C2335 | QETN1HM-106Z | E CAPACITOR | 10uF 50V M | |
| C2336 | QFN31HJ-104Z | M CAPACITOR | 0.1uF 50V J | |
| C2337 | NCB31HK-104X | C CAPACITOR | 0.1uF 50V K | |
| C2338 | NDC31HJ-101X | C CAPACITOR | 100pF 50V J | |
| C2339 | QEKJ1HM-225Z | E CAPACITOR | 2.2uF 50V M | |
| C2340 | NDC31HJ-101X | C CAPACITOR | 100pF 50V J | |
| C2341 | NDC31HJ-101X | C CAPACITOR | 100pF 50V J | |
| C2342 | NDC31HJ-101X | C CAPACITOR | 100pF 50V J | |
| C2343 | NDC31HJ-101X | C CAPACITOR | 100pF 50V J | |
| C2344 | NDC31HJ-101X | C CAPACITOR | 100pF 50V J | |
| C2345 | NDC31HJ-101X | C CAPACITOR | 100pF 50V J | |
| C2346 | NDC31HJ-101X | C CAPACITOR | 100pF 50V J | |
| C2347 | NDC31HJ-101X | C CAPACITOR | 100pF 50V J | |
| C2348 | QETN1HM-106Z | E CAPACITOR | 10uF 50V M | |
| C2349 | QEKJ1HM-475Z | E CAPACITOR | 4.7uF 50V M | |
| C2350 | QEKJ1HM-475Z | E CAPACITOR | 4.7uF 50V M | |
| C2351 | QEKJ1HM-475Z | E CAPACITOR | 4.7uF 50V M | |

| △ Symbol No. | Part No. | Part Name | Description | Local | △ Symbol No. | Part No. | Part Name | Description | Local |
|--------------|--------------|-------------|---------------|-------|--------------|--------------|-------------|---------------|-------|
| C2352 | QEKJ1HM-475Z | E CAPACITOR | 4.7uF 50V M | | C2907 | NCB31CK-104X | C CAPACITOR | 0.1uF 16V K | |
| C2353 | NDC31HJ-101X | C CAPACITOR | 100pF 50V J | | C2908 | NCB31CK-104X | C CAPACITOR | 0.1uF 16V K | |
| C2354 | NDC31HJ-101X | C CAPACITOR | 100pF 50V J | | C2909 | QETN1HM-106Z | E CAPACITOR | 10uF 50V M | |
| C2355 | NDC31HJ-101X | C CAPACITOR | 100pF 50V J | | C2910 | NCB31EK-104X | C CAPACITOR | 0.1uF 25V K | |
| C2356 | NDC31HJ-101X | C CAPACITOR | 100pF 50V J | | C2911 | QETN1HM-106Z | E CAPACITOR | 10uF 50V M | |
| C2357 | NCB31HK-223X | C CAPACITOR | 0.022uF 50V K | | C2912 | NCB31EK-104X | C CAPACITOR | 0.1uF 25V K | |
| C2360 | NDC31HJ-470X | C CAPACITOR | 47pF 50V J | | C2913 | NCB31EK-104X | C CAPACITOR | 0.1uF 25V K | |
| C2362 | NDC31HJ-101X | C CAPACITOR | 100pF 50V J | | C2914 | QETN1CM-108Z | E CAPACITOR | 1000uF 16V M | |
| C2363 | NDC31HJ-101X | C CAPACITOR | 100pF 50V J | | C2921 | NDC31HJ-470X | C CAPACITOR | 47pF 50V J | |
| C2364 | NDC31HJ-101X | C CAPACITOR | 100pF 50V J | | C2923 | NDC31HJ-470X | C CAPACITOR | 47pF 50V J | |
| C2365 | NDC31HJ-470X | C CAPACITOR | 47pF 50V J | | C2925 | NDC31HJ-470X | C CAPACITOR | 47pF 50V J | |
| C2366 | NDC31HJ-470X | C CAPACITOR | 47pF 50V J | | C2928 | QEKJ1HM-225Z | E CAPACITOR | 2.2uF 50V M | |
| C2367 | NDC31HJ-470X | C CAPACITOR | 47pF 50V J | | C2931 | NDC31HJ-470X | C CAPACITOR | 47pF 50V J | |
| C2368 | NDC31HJ-470X | C CAPACITOR | 47pF 50V J | | C2933 | NDC31HJ-470X | C CAPACITOR | 47pF 50V J | |
| C2369 | NDC31HJ-470X | C CAPACITOR | 47pF 50V J | | C2934 | NDC31HJ-470X | C CAPACITOR | 47pF 50V J | |
| C2370 | NDC31HJ-470X | C CAPACITOR | 47pF 50V J | | C2937 | NDC31HJ-470X | C CAPACITOR | 47pF 50V J | |
| C2371 | NDC31HJ-470X | C CAPACITOR | 47pF 50V J | | C2938 | NDC31HJ-470X | C CAPACITOR | 47pF 50V J | |
| C2372 | NDC31HJ-470X | C CAPACITOR | 47pF 50V J | | C2941 | NDC31HJ-470X | C CAPACITOR | 47pF 50V J | |
| C2373 | NDC31HJ-470X | C CAPACITOR | 47pF 50V J | | C2943 | NDC31HJ-470X | C CAPACITOR | 47pF 50V J | |
| C2374 | NDC31HJ-470X | C CAPACITOR | 47pF 50V J | | C2945 | NDC31HJ-470X | C CAPACITOR | 47pF 50V J | |
| C2375 | NDC31HJ-470X | C CAPACITOR | 47pF 50V J | | C2947 | NDC31HJ-470X | C CAPACITOR | 47pF 50V J | |
| C2376 | NDC31HJ-470X | C CAPACITOR | 47pF 50V J | | C2949 | NDC31HJ-470X | C CAPACITOR | 47pF 50V J | |
| C2377 | NDC31HJ-101X | C CAPACITOR | 100pF 50V J | | | | | | |
| C2378 | NDC31HJ-101X | C CAPACITOR | 100pF 50V J | | R2001 | NRSA63J-101X | MG RESISTOR | 100Ω 1/16W J | |
| C2379 | NDC31HJ-101X | C CAPACITOR | 100pF 50V J | | R2002 | NRSA63J-102X | MG RESISTOR | 1kΩ 1/16W J | |
| C2380 | NDC31HJ-101X | C CAPACITOR | 100pF 50V J | | R2003 | NRSA63J-102X | MG RESISTOR | 1kΩ 1/16W J | |
| C2381 | NDC31HJ-101X | C CAPACITOR | 100pF 50V J | | R2004 | NRSA63J-101X | MG RESISTOR | 100Ω 1/16W J | |
| C2382 | NDC31HJ-101X | C CAPACITOR | 100pF 50V J | | R2005 | NRSA63J-102X | MG RESISTOR | 1kΩ 1/16W J | |
| C2383 | NDC31HJ-101X | C CAPACITOR | 100pF 50V J | | R2006 | NRSA63J-101X | MG RESISTOR | 100Ω 1/16W J | |
| C2384 | NDC31HJ-101X | C CAPACITOR | 100pF 50V J | | R2007 | NRSA63J-472X | MG RESISTOR | 4.7kΩ 1/16W J | |
| C2385 | NDC31HJ-101X | C CAPACITOR | 100pF 50V J | | R2008 | NRSA63J-101X | MG RESISTOR | 100Ω 1/16W J | |
| C2386 | NDC31HJ-101X | C CAPACITOR | 100pF 50V J | | R2009 | NRSA63J-101X | MG RESISTOR | 100Ω 1/16W J | |
| C2387 | NDC31HJ-470X | C CAPACITOR | 47pF 50V J | | R2010 | NRSA63J-472X | MG RESISTOR | 4.7kΩ 1/16W J | |
| C2388 | NDC31HJ-470X | C CAPACITOR | 47pF 50V J | | R2011 | NRSA63J-472X | MG RESISTOR | 4.7kΩ 1/16W J | |
| C2389 | NDC31HJ-470X | C CAPACITOR | 47pF 50V J | | R2012 | NRSA63J-102X | MG RESISTOR | 1kΩ 1/16W J | |
| C2390 | NDC31HJ-470X | C CAPACITOR | 47pF 50V J | | R2013 | NRSA63J-102X | MG RESISTOR | 1kΩ 1/16W J | |
| C2401 | NDC31HJ-471X | C CAPACITOR | 470pF 50V J | | R2014 | NRSA63J-102X | MG RESISTOR | 1kΩ 1/16W J | |
| C2402 | QETN1EM-476Z | E CAPACITOR | 47uF 25V M | | R2015 | NRSA63J-102X | MG RESISTOR | 1kΩ 1/16W J | |
| C2403 | NDC31HJ-471X | C CAPACITOR | 470pF 50V J | | R2016 | NRSA63J-101X | MG RESISTOR | 100Ω 1/16W J | |
| C2404 | QETN1EM-476Z | E CAPACITOR | 47uF 25V M | | R2017 | NRSA63J-101X | MG RESISTOR | 100Ω 1/16W J | |
| C2405 | QETN1HM-106Z | E CAPACITOR | 10uF 50V M | | R2018 | NRSA63J-102X | MG RESISTOR | 1kΩ 1/16W J | |
| C2406 | NCB31HK-104X | C CAPACITOR | 0.1uF 50V K | | R2019 | NRSA63J-102X | MG RESISTOR | 1kΩ 1/16W J | |
| C2407 | NCB31CK-104X | C CAPACITOR | 0.1uF 16V K | | R2020 | NRSA63J-102X | MG RESISTOR | 1kΩ 1/16W J | |
| C2408 | NCB31HK-103X | C CAPACITOR | 0.01uF 50V K | | R2021 | NRSA63J-102X | MG RESISTOR | 1kΩ 1/16W J | |
| C2409 | NCB31CK-104X | C CAPACITOR | 0.1uF 16V K | | R2022 | NRSA63J-101X | MG RESISTOR | 100Ω 1/16W J | |
| C2503 | NCB11EK-105X | C CAPACITOR | 1uF 25V K | | R2023 | NRSA63J-101X | MG RESISTOR | 100Ω 1/16W J | |
| C2504 | NCB31AK-105X | C CAPACITOR | 1uF 10V K | | R2024 | NRSA63J-101X | MG RESISTOR | 100Ω 1/16W J | |
| C2505 | QETN1CM-107Z | E CAPACITOR | 100uF 16V M | | R2025 | NRSA63J-101X | MG RESISTOR | 100Ω 1/16W J | |
| C2506 | QETN1CM-107Z | E CAPACITOR | 100uF 16V M | | R2026 | NRSA63J-101X | MG RESISTOR | 100Ω 1/16W J | |
| C2507 | QETN1HM-226Z | E CAPACITOR | 22uF 50V M | | R2027 | NRSA63J-101X | MG RESISTOR | 100Ω 1/16W J | |
| C2508 | NCB31CK-105X | C CAPACITOR | 1uF 16V K | | R2028 | NRSA63J-101X | MG RESISTOR | 100Ω 1/16W J | |
| C2509 | NDC31HJ-101X | C CAPACITOR | 100pF 50V J | | R2029 | NRSA63J-102X | MG RESISTOR | 1kΩ 1/16W J | |
| C2510 | NCB31CK-105X | C CAPACITOR | 1uF 16V K | | R2030 | NRSA63J-102X | MG RESISTOR | 1kΩ 1/16W J | |
| C2511 | NCB31CK-105X | C CAPACITOR | 1uF 16V K | | R2031 | NRSA63J-272X | MG RESISTOR | 2.7kΩ 1/16W J | |
| C2512 | NCB31CK-105X | C CAPACITOR | 1uF 16V K | | R2032 | NRSA63J-102X | MG RESISTOR | 1kΩ 1/16W J | |
| C2801 | NCB31EK-473X | C CAPACITOR | 0.047uF 25V K | | R2033 | NRSA63J-101X | MG RESISTOR | 100Ω 1/16W J | |
| C2802 | QETN1EM-476Z | E CAPACITOR | 47uF 25V M | | R2034 | NRSA63J-102X | MG RESISTOR | 1kΩ 1/16W J | |
| C2803 | NDC31HJ-220X | C CAPACITOR | 22pF 50V J | | R2035 | NRSA63J-102X | MG RESISTOR | 1kΩ 1/16W J | |
| C2804 | NDC31HJ-220X | C CAPACITOR | 22pF 50V J | | R2036 | NRSA63J-102X | MG RESISTOR | 1kΩ 1/16W J | |
| C2805 | NDC31HJ-120X | C CAPACITOR | 12pF 50V J | | R2037 | NRSA63J-101X | MG RESISTOR | 100Ω 1/16W J | |
| C2806 | NDC31HJ-100X | C CAPACITOR | 10pF 50V J | | R2038 | NRSA63J-101X | MG RESISTOR | 100Ω 1/16W J | |
| C2807 | NCB31CK-104X | C CAPACITOR | 0.1uF 16V K | | R2039 | NRSA63J-101X | MG RESISTOR | 100Ω 1/16W J | |
| C2808 | QETN1AM-227Z | E CAPACITOR | 220uF 10V M | | R2040 | NRSA63J-101X | MG RESISTOR | 100Ω 1/16W J | |
| C2809 | QETN1CM-107Z | E CAPACITOR | 100uF 16V M | | R2041 | NRSA63J-101X | MG RESISTOR | 100Ω 1/16W J | |
| C2810 | QETN0JM-108Z | E CAPACITOR | 1000uF 6.3V M | | R2043 | NRSA63J-102X | MG RESISTOR | 1kΩ 1/16W J | |
| C2811 | QETN1AM-227Z | E CAPACITOR | 220uF 10V M | | R2044 | NRSA63J-102X | MG RESISTOR | 1kΩ 1/16W J | |
| C2812 | NCB31CK-104X | C CAPACITOR | 0.1uF 16V K | | R2045 | NRSA63J-102X | MG RESISTOR | 1kΩ 1/16W J | |
| C2813 | NCB31HK-103X | C CAPACITOR | 0.01uF 50V K | | R2046 | NRSA63J-221X | MG RESISTOR | 220Ω 1/16W J | |
| C2815 | NCB31EK-473X | C CAPACITOR | 0.047uF 25V K | | R2047 | NRSA63J-103X | MG RESISTOR | 10kΩ 1/16W J | |
| C2816 | NCB31CK-104X | C CAPACITOR | 0.1uF 16V K | | R2048 | NRSA63J-102X | MG RESISTOR | 1kΩ 1/16W J | |
| C2818 | NCB31CK-104X | C CAPACITOR | 0.1uF 16V K | | R2049 | NRSA63J-102X | MG RESISTOR | 1kΩ 1/16W J | |
| C2819 | NCB31CK-104X | C CAPACITOR | 0.1uF 16V K | | R2050 | NRSA63J-102X | MG RESISTOR | 1kΩ 1/16W J | |
| C2901 | QEZ0870-278 | E CAPACITOR | 2700uF | | R2051 | NRSA63J-102X | MG RESISTOR | 1kΩ 1/16W J | |
| C2902 | QEKJ1HM-225Z | E CAPACITOR | 2.2uF 50V M | | R2052 | NRSA63J-102X | MG RESISTOR | 1kΩ 1/16W J | |
| C2903 | QETN1EM-476Z | E CAPACITOR | 47uF 25V M | | R2053 | NRSA63J-472X | MG RESISTOR | 4.7kΩ 1/16W J | |
| C2904 | QETN1HM-106Z | E CAPACITOR | 10uF 50V M | | R2055 | NRSA63J-472X | MG RESISTOR | 4.7kΩ 1/16W J | |
| C2905 | QETN1EM-476Z | E CAPACITOR | 47uF 25V M | | R2057 | NRSA63J-102X | MG RESISTOR | 1kΩ 1/16W J | |
| C2906 | QETN1CM-107Z | E CAPACITOR | 100uF 16V M | | R2058 | NRSA63J-102X | MG RESISTOR | 1kΩ 1/16W J | |

| △ Symbol No. | Part No. | Part Name | Description | Local | △ Symbol No. | Part No. | Part Name | Description | Local |
|--------------|-----------------|-----------------|---------------|-------|--------------|--------------|--------------|-------------|-------|
| R2804 | NRSA63J-473X | MG RESISTOR | 47kΩ 1/16W J | | PP1 | QZW0010-001 | STYLE PIN | | |
| R2805 | NRSA63J-106X | MG RESISTOR | 10MΩ 1/16W J | | PP2 | QZW0010-001 | STYLE PIN | | |
| R2806 | NRSA63J-0R0X | MG RESISTOR | 0Ω 1/10W J | | TH201 | NAD0028-103X | N THERMISTOR | 10kΩ | |
| R2807 | NRSA63J-0R0X | MG RESISTOR | 0Ω 1/10W J | | TH231 | NAD0028-103X | N THERMISTOR | 10kΩ | |
| R2808 | NRSA63J-106X | MG RESISTOR | 10MΩ 1/16W J | | W2101 | QAM1233-001 | CAR CABLE | | |
| R2809 | NRSA63J-472X | MG RESISTOR | 4.7kΩ 1/16W J | | X2001 | QAX0401-001 | CRYSTAL | 32.768KHz | |
| R2810 | NRSA63J-472X | MG RESISTOR | 4.7kΩ 1/16W J | | X2002 | NAX0981-001X | CRYSTAL | | |
| R2811 | NRSA63J-472X | MG RESISTOR | 4.7kΩ 1/16W J | | X2101 | QAX0928-001Z | CRYSTAL | | |
| R2812 | NRSA63J-472X | MG RESISTOR | 4.7kΩ 1/16W J | | | | | | |
| R2813 | NRSA63J-472X | MG RESISTOR | 4.7kΩ 1/16W J | | | | | | |
| R2814 | NRSA63J-472X | MG RESISTOR | 4.7kΩ 1/16W J | | | | | | |
| R2815 | NRSA63J-0R0X | MG RESISTOR | 0Ω 1/10W J | | | | | | |
| R2816 | NRSA63J-0R0X | MG RESISTOR | 0Ω 1/10W J | | | | | | |
| R2817 | NRSA63J-472X | MG RESISTOR | 4.7kΩ 1/16W J | | | | | | |
| R2818 | NRSA63J-472X | MG RESISTOR | 4.7kΩ 1/16W J | | | | | | |
| R2819 | NRSA63J-103X | MG RESISTOR | 10kΩ 1/16W J | | | | | | |
| R2820 | NRSA63J-103X | MG RESISTOR | 10kΩ 1/16W J | | | | | | |
| R2821 | NRSA63J-103X | MG RESISTOR | 10kΩ 1/16W J | | | | | | |
| R2822 | NRSA63J-104X | MG RESISTOR | 100kΩ 1/16W J | | | | | | |
| R2823 | NRSA63J-273X | MG RESISTOR | 27kΩ 1/16W J | | | | | | |
| R2824 | NRSA63J-473X | MG RESISTOR | 47kΩ 1/16W J | | | | | | |
| R2825 | NRSA63J-103X | MG RESISTOR | 10kΩ 1/16W J | | | | | | |
| R2826 | NRSA63J-103X | MG RESISTOR | 10kΩ 1/16W J | | | | | | |
| R2827 | NRSA63J-103X | MG RESISTOR | 10kΩ 1/16W J | | | | | | |
| R2828 | NRSA63J-101X | MG RESISTOR | 100Ω 1/16W J | | | | | | |
| R2829 | NRSA63J-101X | MG RESISTOR | 100Ω 1/16W J | | | | | | |
| R2830 | NRSA63J-473X | MG RESISTOR | 47kΩ 1/16W J | | | | | | |
| R2831 | NRSA63J-472X | MG RESISTOR | 4.7kΩ 1/16W J | | | | | | |
| R2832 | NRSA63J-472X | MG RESISTOR | 4.7kΩ 1/16W J | | | | | | |
| R2833 | NRSA63J-472X | MG RESISTOR | 4.7kΩ 1/16W J | | | | | | |
| R2834 | NRSA63J-472X | MG RESISTOR | 4.7kΩ 1/16W J | | | | | | |
| R2835 | NRSA63J-822X | MG RESISTOR | 8.2kΩ 1/16W J | | | | | | |
| R2836 | NRSA63D-472X | MG RESISTOR | 4.7kΩ 1/16W D | | | | | | |
| R2837 | NRSA63D-472X | MG RESISTOR | 4.7kΩ 1/16W D | | | | | | |
| R2839 | NRSA63D-243X | MG RESISTOR | 24kΩ 1/16W D | | | | | | |
| R2840 | NRSA63D-104X | MG RESISTOR | 100kΩ 1/16W D | | | | | | |
| R2843 | NRSA63J-472X | MG RESISTOR | 4.7kΩ 1/16W J | | | | | | |
| R2844 | NRSA63J-333X | MG RESISTOR | 33kΩ 1/16W J | | | | | | |
| R2901 | NRSA63J-103X | MG RESISTOR | 10kΩ 1/16W J | | | | | | |
| R2902 | NRSA63J-472X | MG RESISTOR | 4.7kΩ 1/16W J | | | | | | |
| R2903 | NRSA63J-203X | MG RESISTOR | 20kΩ 1/16W J | | | | | | |
| R2904 | NRSA63J-473X | MG RESISTOR | 47kΩ 1/16W J | | | | | | |
| R2905 | NRSA63J-153X | MG RESISTOR | 15kΩ 1/16W J | | | | | | |
| R2906 | NRSA63J-473X | MG RESISTOR | 47kΩ 1/16W J | | | | | | |
| R2907 | NRS181J-472X | MG RESISTOR | 4.7kΩ 1/8W J | | | | | | |
| R2909 | NRS181J-332X | MG RESISTOR | 3.3kΩ 1/8W J | | | | | | |
| L2101 | NQL093K-R22X | COIL | 0.22uH K | | | | | | |
| L2102 | NQL093K-4R7X | COIL | 4.7uH K | | | | | | |
| L2103 | NQL093K-R47X | COIL | 0.47uH K | | | | | | |
| L2104 | NQL093K-1R8X | COIL | 1.8uH K | | | | | | |
| L2105 | NQL093K-R47X | COIL | 0.47uH K | | | | | | |
| L2106 | NQL114K-561X | P COIL | 560uH K | | | | | | |
| L2107 | NQL114K-561X | P COIL | 560uH K | | | | | | |
| L2501 | NQL79GM-4R7X | COIL | 4.7uH M | | | | | | |
| L2801 | NQL79GK-470X | COIL | 47uH K | | | | | | |
| L2901 | QQR0703-001 | CHOKE COIL | | | | | | | |
| L2902 | NQL79GK-101X | COIL | 100uH K | | | | | | |
| T2101 | QQR1813-001 | COIL | | | | | | | |
| BZ251 | QAN0023-001Z | BUZZER | | | | | | | |
| CN231 | QGA2501C1-02 | CONNECTOR | W-B (1-2) | | | | | | |
| CN241 | QNZ0984-002 | CAR CONNECTOR | | | | | | | |
| CN251 | QGB1004K2-30W | CONNECTOR | B-B (1-30) | | | | | | |
| CN252 | QGB0815K1-60X | CONNECTOR | B-B (1-60) | | | | | | |
| CN291 | QNZ0090-001 | CAR CONNECTOR | | | | | | | |
| EP201 | NNZ0165-001X | EARTH TERMINAL | | | | | | | |
| EP202 | NNZ0165-001X | EARTH TERMINAL | | | | | | | |
| EP203 | NNZ0165-001X | EARTH TERMINAL | | | | | | | |
| EP204 | NNZ0165-001X | EARTH TERMINAL | | | | | | | |
| EP205 | NNZ0165-001X | EARTH TERMINAL | | | | | | | |
| △ F2901 | NMFZ018-5R0X-E | FUSE | 5A | | | | | | |
| △ F2902 | NMFZ018-5R0X-E | FUSE | 5A | | | | | | |
| J2301 | QNN0775-001 | PIN JACK | | | | | | | |
| K2401 | NQR0201-004X | FERRITE BEADS | | | | | | | |
| K2402 | NQR0201-004X | FERRITE BEADS | | | | | | | |
| K2403 | NQR0389-001X | FERRITE BEADS | | | | | | | |
| K2404 | NQR0389-001X | FERRITE BEADS | | | | | | | |
| IC311 | JVM4152 | IC(PROGRAMED) | | | | | | | |
| IC321 | TC74VHCT126AFTX | IC | | | | | | | |
| IC341 | NJM2505AF-X | IC | | | | | | | |
| IC342 | NJM2505AF-X | IC | | | | | | | |
| IC343 | NJM2535V-X | IC | | | | | | | |
| IC344 | NJM2535V-X | IC | | | | | | | |
| IC345 | NJM2561F1-X | IC | | | | | | | |
| IC351 | TOTX177L | OPT TRANSMITTER | | | | | | | |
| IC371 | BD9781HFP-W | IC | | | | | | | |
| IC372 | BD9781HFP-W | IC | | | | | | | |
| IC374 | LT1946AEMS8E-X | IC | | | | | | | |
| IC381 | NJM4565E-X | IC | | | | | | | |
| Q3701 | 2SA812A/5-6/-X | TRANSISTOR | | | | | | | |
| Q3702 | 2SC1623A/5-6/-X | TRANSISTOR | | | | | | | |
| Q3703 | 2SA812A/5-6/-X | TRANSISTOR | | | | | | | |
| Q3901 | RT1N141C-X | DIGI TRANSISTOR | | | | | | | |
| Q3901 | or UN2211-X | TRANSISTOR | | | | | | | |
| D3201 | MA22D23-X | SB DIODE | | | | | | | |
| D3301 | MA8062/M/-X | Z DIODE | | | | | | | |
| D3302 | MA8062/M/-X | Z DIODE | | | | | | | |
| D3303 | MA8062/M/-X | Z DIODE | | | | | | | |
| D3304 | MA8062/M/-X | Z DIODE | | | | | | | |
| D3305 | MA8062/M/-X | Z DIODE | | | | | | | |
| D3306 | MA8062/M/-X | Z DIODE | | | | | | | |
| D3307 | MA8062/M/-X | Z DIODE | | | | | | | |
| D3308 | MA8062/M/-X | Z DIODE | | | | | | | |
| D3411 | MA111-X | SI DIODE | | | | | | | |
| D3412 | MA111-X | SI DIODE | | | | | | | |
| D3421 | MA111-X | SI DIODE | | | | | | | |
| D3422 | MA111-X | SI DIODE | | | | | | | |
| D3711 | MA24D50-X | DIODE | | | | | | | |
| D3721 | MA24D50-X | DIODE | | | | | | | |
| D3741 | MA8120/M/-X | Z DIODE | | | | | | | |
| D3742 | MA22D39-X | SB DIODE | | | | | | | |
| D3743 | MA8024-X | Z DIODE | | | | | | | |
| D3744 | MA2SD31-X | SB DIODE | | | | | | | |
| D3745 | MA2SD31-X | SB DIODE | | | | | | | |
| D3746 | MA2SD31-X | SB DIODE | | | | | | | |
| D3747 | MA2SD31-X | SB DIODE | | | | | | | |
| D3748 | MA8180/H/-X | Z DIODE | | | | | | | |
| D3801 | MA8110/M/-X | Z DIODE | | | | | | | |
| D3802 | MA8110/M/-X | Z DIODE | | | | | | | |
| C3001 | NDC31HJ-102X | C CAPACITOR | 1000pF 50V J | | | | | | |
| C3002 | NDC31HJ-102X | C CAPACITOR | 1000pF 50V J | | | | | | |
| C3003 | NDC31HJ-101X | C CAPACITOR | 100pF 50V J | | | | | | |
| C3004 | NCB31CK-104X | C CAPACITOR | 0.1uF 16V K | | | | | | |
| C3005 | NCB31CK-104X | C CAPACITOR | 0.1uF 16V K | | | | | | |
| C3006 | NCB31CK-104X | C CAPACITOR | 0.1uF 16V K | | | | | | |
| C3031 | NCJ11EK-106X-R | C CAPACITOR | 10uF 25V | | | | | | |
| C3032 | NCJ11EK-106X-R | C CAPACITOR | 10uF 25V | | | | | | |
| C3033 | QEKJ1CM-107Z | E CAPACITOR | 100uF 16V M | | | | | | |
| C3034 | NCJ11EK-106X-R | C CAPACITOR | 10uF 25V | | | | | | |
| C3035 | QEKJ1CM-107Z | E CAPACITOR | 100uF 16V M | | | | | | |
| C3036 | NCJ11EK-106X-R | C CAPACITOR | 10uF 25V | | | | | | |
| C3037 | QEKJ1CM-107Z | E CAPACITOR | 100uF 16V M | | | | | | |
| C3038 | NCJ11EK-106X-R | C CAPACITOR | 10uF 25V | | | | | | |
| C3039 | NCJ11EK-106X-R | C CAPACITOR | 10uF 25V | | | | | | |

Old Sub board (old KW-NT1J)

Block No. [0][2]

| △ Symbol No. | Part No. | Part Name | Description | Local | △ Symbol No. | Part No. | Part Name | Description | Local |
|--------------|----------------|-------------|---------------|-------|--------------|----------------|-------------|---------------|-------|
| C3040 | NCJ11EK-106X-R | C CAPACITOR | 10uF 25V | | C3748 | NCB11EK-105X | C CAPACITOR | 1uF 25V K | |
| C3041 | QEKJ1CM-107Z | E CAPACITOR | 100uF 16V M | | C3749 | NCJ11EK-106X-R | C CAPACITOR | 100uF 25V | |
| C3042 | NDC31HJ-471X | C CAPACITOR | 470pF 50V J | | C3750 | NCJ11EK-106X-R | C CAPACITOR | 10uF 25V | |
| C3043 | NCJ11EK-106X-R | C CAPACITOR | 10uF 25V | | C3751 | NCB31HK-103X | C CAPACITOR | 0.01uF 50V K | |
| C3045 | QERF1EM-107Z | E CAPACITOR | 100uF 25V M | | C3752 | NCB31CK-105X | C CAPACITOR | 1uF 16V K | |
| C3046 | NCJ11EK-106X-R | C CAPACITOR | 10uF 25V | | C3753 | NCJ11EK-106X-R | C CAPACITOR | 10uF 25V | |
| C3101 | QEKJ1CM-476Z | E CAPACITOR | 47uF 16V M | | C3754 | NCB11EK-105X | C CAPACITOR | 1uF 25V K | |
| C3102 | NCB31CK-104X | C CAPACITOR | 0.1uF 16V K | | C3755 | NDC31HJ-471X | C CAPACITOR | 470pF 50V J | |
| C3105 | NCB31CK-104X | C CAPACITOR | 0.1uF 16V K | | C3756 | NCB31CK-105X | C CAPACITOR | 1uF 16V K | |
| C3106 | NCB31CK-104X | C CAPACITOR | 0.1uF 16V K | | C3802 | NDC31HJ-101X | C CAPACITOR | 100pF 50V J | |
| C3201 | NCB31HK-102X | C CAPACITOR | 1000pF 50V K | | C3803 | NCB31CK-105X | C CAPACITOR | 1uF 16V K | |
| C3202 | NCB31HK-102X | C CAPACITOR | 1000pF 50V K | | C3804 | NCB31CK-105X | C CAPACITOR | 1uF 16V K | |
| C3203 | NDC31HJ-101X | C CAPACITOR | 100pF 50V J | | C3805 | NDC31HJ-561X | C CAPACITOR | 560pF 50V J | |
| C3204 | NCB31HK-104X | C CAPACITOR | 0.1uF 50V K | | C3806 | QEKJ1CM-476Z | E CAPACITOR | 47uF 16V M | |
| C3205 | NCB31HK-104X | C CAPACITOR | 0.1uF 50V K | | C3807 | NCB31EK-333X | C CAPACITOR | 0.033uF 25V K | |
| C3206 | NCB31HK-104X | C CAPACITOR | 0.1uF 50V K | | C3808 | NCB31EK-333X | C CAPACITOR | 0.033uF 25V K | |
| C3211 | NCB31HK-102X | C CAPACITOR | 1000pF 50V K | | C3809 | NCB31HK-104X | C CAPACITOR | 0.1uF 50V K | |
| C3212 | NCB31HK-102X | C CAPACITOR | 1000pF 50V K | | C3810 | NDC31HJ-561X | C CAPACITOR | 560pF 50V J | |
| C3213 | QEKJ1CM-476Z | E CAPACITOR | 47uF 16V M | | C3811 | NCJ11EK-106X-R | C CAPACITOR | 10uF 25V | |
| C3214 | NCB31EK-473X | C CAPACITOR | 0.047uF 25V K | | C3812 | NCB31CK-105X | C CAPACITOR | 1uF 16V K | |
| C3251 | NCB31CK-104X | C CAPACITOR | 0.1uF 16V K | | C3813 | NCJ11EK-106X-R | C CAPACITOR | 10uF 25V | |
| C3301 | NDC31HJ-470X | C CAPACITOR | 47pF 50V J | | C3814 | NCB31HK-104X | C CAPACITOR | 0.1uF 50V K | |
| C3303 | NDC31HJ-101X | C CAPACITOR | 100pF 50V J | | C3911 | NCB31CK-104X | C CAPACITOR | 0.1uF 16V K | |
| C3304 | NDC31HJ-101X | C CAPACITOR | 100pF 50V J | | C3912 | NDC31HJ-101X | C CAPACITOR | 100pF 50V J | |
| C3305 | NCB31HK-473X | C CAPACITOR | 0.047uF 50V K | | R3002 | NRSA63J-101X | MG RESISTOR | 100Ω 1/16W J | |
| C3307 | NDC31HJ-470X | C CAPACITOR | 47pF 50V J | | R3003 | NRSA63J-101X | MG RESISTOR | 100Ω 1/16W J | |
| C3308 | NDC31HJ-101X | C CAPACITOR | 100pF 50V J | | R3004 | NRSA63J-101X | MG RESISTOR | 100Ω 1/16W J | |
| C3310 | NDC31HJ-101X | C CAPACITOR | 100pF 50V J | | R3005 | NRSA63J-101X | MG RESISTOR | 100Ω 1/16W J | |
| C3311 | NDC31HJ-471X | C CAPACITOR | 470pF 50V J | | R3006 | NRSA63J-101X | MG RESISTOR | 100Ω 1/16W J | |
| C3411 | QEKJ1EM-106Z | E CAPACITOR | 10uF 25V M | | R3007 | NRSA63J-101X | MG RESISTOR | 100Ω 1/16W J | |
| C3412 | QEKJ1EM-106Z | E CAPACITOR | 10uF 25V M | | R3008 | NRSA63J-101X | MG RESISTOR | 100Ω 1/16W J | |
| C3413 | NCB31HK-102X | C CAPACITOR | 1000pF 50V K | | R3009 | NRSA63J-101X | MG RESISTOR | 100Ω 1/16W J | |
| C3414 | QEKJ1CM-476Z | E CAPACITOR | 47uF 16V M | | R3010 | NRSA63J-101X | MG RESISTOR | 100Ω 1/16W J | |
| C3415 | NCB31CK-104X | C CAPACITOR | 0.1uF 16V K | | R3011 | NRSA63J-101X | MG RESISTOR | 100Ω 1/16W J | |
| C3421 | QEKJ1EM-106Z | E CAPACITOR | 10uF 25V M | | R3012 | NRSA63J-101X | MG RESISTOR | 100Ω 1/16W J | |
| C3422 | QEKJ1EM-106Z | E CAPACITOR | 10uF 25V M | | R3013 | NRSA63J-101X | MG RESISTOR | 100Ω 1/16W J | |
| C3423 | NCB31HK-102X | C CAPACITOR | 1000pF 50V K | | R3014 | NRSA63J-101X | MG RESISTOR | 100Ω 1/16W J | |
| C3425 | NCB31CK-104X | C CAPACITOR | 0.1uF 16V K | | R3015 | NRSA63J-101X | MG RESISTOR | 100Ω 1/16W J | |
| C3431 | NCB31CK-105X | C CAPACITOR | 1uF 16V K | | R3016 | NRSA63J-101X | MG RESISTOR | 100Ω 1/16W J | |
| C3432 | NCB31CK-105X | C CAPACITOR | 1uF 16V K | | R3017 | NRSA63J-101X | MG RESISTOR | 100Ω 1/16W J | |
| C3433 | NCB31CK-105X | C CAPACITOR | 1uF 16V K | | R3018 | NRSA63J-101X | MG RESISTOR | 100Ω 1/16W J | |
| C3435 | NCB31HK-104X | C CAPACITOR | 0.1uF 50V K | | R3019 | NRSA63J-101X | MG RESISTOR | 100Ω 1/16W J | |
| C3441 | NCB31CK-105X | C CAPACITOR | 1uF 16V K | | R3020 | NRSA63J-101X | MG RESISTOR | 100Ω 1/16W J | |
| C3442 | NCB31CK-105X | C CAPACITOR | 1uF 16V K | | R3021 | NRSA63J-101X | MG RESISTOR | 100Ω 1/16W J | |
| C3443 | NCB31CK-105X | C CAPACITOR | 1uF 16V K | | R3022 | NRSA63J-101X | MG RESISTOR | 100Ω 1/16W J | |
| C3444 | QEKJ1CM-476Z | E CAPACITOR | 47uF 16V M | | R3023 | NRSA63J-101X | MG RESISTOR | 100Ω 1/16W J | |
| C3445 | NCB31HK-104X | C CAPACITOR | 0.1uF 50V K | | R3031 | NRSA63J-101X | MG RESISTOR | 100Ω 1/16W J | |
| C3451 | QEKJ0JM-337Z | E CAPACITOR | 330uF 6.3V M | | R3032 | NRSA63J-101X | MG RESISTOR | 100Ω 1/16W J | |
| C3453 | NCB31CK-105X | C CAPACITOR | 1uF 16V K | | R3033 | NRS125J-R22X | MG RESISTOR | 0.22Ω 1/2W J | |
| C3454 | NCB31HK-104X | C CAPACITOR | 0.1uF 50V K | | R3034 | NRS125J-R22X | MG RESISTOR | 0.22Ω 1/2W J | |
| C3501 | QEKJ1CM-476Z | E CAPACITOR | 47uF 16V M | | R3035 | NRSA63J-104X | MG RESISTOR | 100kΩ 1/16W J | |
| C3504 | NCB31CK-104X | C CAPACITOR | 0.1uF 16V K | | R3036 | NRSA63J-104X | MG RESISTOR | 100kΩ 1/16W J | |
| C3505 | QEKJ1CM-107Z | E CAPACITOR | 100uF 16V M | | R3037 | NRS125J-R22X | MG RESISTOR | 0.22Ω 1/2W J | |
| C3507 | NCB31CK-104X | C CAPACITOR | 0.1uF 16V K | | R3038 | NRS125J-R22X | MG RESISTOR | 0.22Ω 1/2W J | |
| C3551 | QEKJ1EM-106Z | E CAPACITOR | 10uF 25V M | | R3101 | NRSA63J-0R0X | MG RESISTOR | 0Ω 1/10W J | |
| C3552 | NCB31HK-103X | C CAPACITOR | 0.01uF 50V K | | R3102 | NRSA63J-103X | MG RESISTOR | 10kΩ 1/16W J | |
| C3553 | NDC31HJ-101X | C CAPACITOR | 100pF 50V J | | R3103 | NRSA63J-0R0X | MG RESISTOR | 0Ω 1/10W J | |
| C3701 | QETN1EM-477Z | E CAPACITOR | 470uF 25V M | | R3104 | NRSA63J-103X | MG RESISTOR | 10kΩ 1/16W J | |
| C3702 | QERF1EM-107Z | E CAPACITOR | 100uF 25V M | | R3105 | NRSA63J-102X | MG RESISTOR | 1kΩ 1/16W J | |
| C3703 | NCJ11EK-106X-R | C CAPACITOR | 10uF 25V | | R3106 | NRSA63J-102X | MG RESISTOR | 1kΩ 1/16W J | |
| C3711 | NCJ11EK-106X-R | C CAPACITOR | 10uF 25V | | R3107 | NRSA63J-102X | MG RESISTOR | 1kΩ 1/16W J | |
| C3712 | QEKJ1CM-107Z | E CAPACITOR | 100uF 16V M | | R3108 | NRSA63J-102X | MG RESISTOR | 1kΩ 1/16W J | |
| C3713 | NCJ11EK-106X-R | C CAPACITOR | 10uF 25V | | R3109 | NRSA63J-102X | MG RESISTOR | 1kΩ 1/16W J | |
| C3714 | NCB31CK-104X | C CAPACITOR | 0.1uF 16V K | | R3110 | NRSA63J-103X | MG RESISTOR | 10kΩ 1/16W J | |
| C3715 | NCB31HK-472X | C CAPACITOR | 4700pF 50V K | | R3111 | NRSA63J-102X | MG RESISTOR | 1kΩ 1/16W J | |
| C3721 | NCJ11EK-106X-R | C CAPACITOR | 10uF 25V | | R3113 | NRSA63J-102X | MG RESISTOR | 1kΩ 1/16W J | |
| C3722 | QEKJ1CM-107Z | E CAPACITOR | 100uF 16V M | | R3114 | NRSA63J-102X | MG RESISTOR | 1kΩ 1/16W J | |
| C3723 | NCJ11EK-106X-R | C CAPACITOR | 10uF 25V | | R3115 | NRSA63J-102X | MG RESISTOR | 1kΩ 1/16W J | |
| C3724 | NCB31CK-104X | C CAPACITOR | 0.1uF 16V K | | R3116 | NRSA63J-103X | MG RESISTOR | 10kΩ 1/16W J | |
| C3725 | NCB31HK-472X | C CAPACITOR | 4700pF 50V K | | R3117 | NRSA63J-103X | MG RESISTOR | 10kΩ 1/16W J | |
| C3732 | QEKJ1EM-106Z | E CAPACITOR | 10uF 25V M | | R3118 | NRSA63J-102X | MG RESISTOR | 1kΩ 1/16W J | |
| C3741 | NCB11EK-105X | C CAPACITOR | 1uF 25V K | | R3124 | NRSA63J-103X | MG RESISTOR | 10kΩ 1/16W J | |
| C3742 | NCJ11EK-106X-R | C CAPACITOR | 10uF 25V | | R3125 | NRSA63J-101X | MG RESISTOR | 100Ω 1/16W J | |
| C3743 | NCB11EK-105X | C CAPACITOR | 1uF 25V K | | R3126 | NRSA63J-472X | MG RESISTOR | 4.7kΩ 1/16W J | |
| C3744 | NDC31HJ-220X | C CAPACITOR | 22pF 50V J | | R3127 | NRSA63J-102X | MG RESISTOR | 1kΩ 1/16W J | |
| C3745 | NCB11EK-105X | C CAPACITOR | 1uF 25V K | | R3128 | NRSA63J-0R0X | MG RESISTOR | 0Ω 1/10W J | |
| C3746 | NCB11EK-105X | C CAPACITOR | 1uF 25V K | | R3129 | NRSA63J-103X | MG RESISTOR | 10kΩ 1/16W J | |
| C3747 | NCB31HK-103X | C CAPACITOR | 0.01uF 50V K | | | | | | |

| △ Symbol No. | Part No. | Part Name | Description | Local | △ Symbol No. | Part No. | Part Name | Description | Local |
|--------------|--------------|-------------|---------------|-------|--------------|----------------|-----------------|---------------|-------|
| R3134 | NRSA63J-223X | MG RESISTOR | 22kΩ 1/16W J | | R3801 | NRSA63J-122X | MG RESISTOR | 1.2kΩ 1/16W J | |
| R3135 | NRSA63J-101X | MG RESISTOR | 100kΩ 1/16W J | | R3802 | NRSA63J-122X | MG RESISTOR | 1.2kΩ 1/16W J | |
| R3136 | NRSA63J-103X | MG RESISTOR | 10kΩ 1/16W J | | R3803 | NRSA63J-333X | MG RESISTOR | 33kΩ 1/16W J | |
| R3137 | NRSA63J-103X | MG RESISTOR | 10kΩ 1/16W J | | R3804 | NRSA63J-822X | MG RESISTOR | 8.2kΩ 1/16W J | |
| R3201 | NRSA63J-151X | MG RESISTOR | 150Ω 1/16W J | | R3805 | NRSA63J-822X | MG RESISTOR | 8.2kΩ 1/16W J | |
| R3202 | NRSA63J-151X | MG RESISTOR | 150Ω 1/16W J | | R3806 | NRSA63J-223X | MG RESISTOR | 22kΩ 1/16W J | |
| R3203 | NRSA63J-0R0X | MG RESISTOR | 0Ω 1/10W J | | R3807 | NRSA63J-223X | MG RESISTOR | 22kΩ 1/16W J | |
| R3211 | NRSA63J-102X | MG RESISTOR | 1kΩ 1/16W J | | R3808 | NRSA63J-333X | MG RESISTOR | 33kΩ 1/16W J | |
| R3212 | NRSA63J-104X | MG RESISTOR | 100kΩ 1/16W J | | R3809 | NRSA63J-822X | MG RESISTOR | 8.2kΩ 1/16W J | |
| R3213 | NRSA63J-104X | MG RESISTOR | 100kΩ 1/16W J | | R3810 | NRSA63J-333X | MG RESISTOR | 33kΩ 1/16W J | |
| R3214 | NRSA63J-392X | MG RESISTOR | 3.9kΩ 1/16W J | | R3811 | NRSA63J-100X | MG RESISTOR | 10Ω 1/16W J | |
| R3215 | NRSA63J-682X | MG RESISTOR | 6.8kΩ 1/16W J | | R3812 | NRSA63J-680X | MG RESISTOR | 68Ω 1/16W J | |
| R3216 | NRSA63J-102X | MG RESISTOR | 1kΩ 1/16W J | | R3813 | NRSA63J-680X | MG RESISTOR | 68Ω 1/16W J | |
| R3217 | NRSA63J-104X | MG RESISTOR | 100kΩ 1/16W J | | R3911 | NRSA63J-0R0X | MG RESISTOR | 0Ω 1/10W J | |
| R3218 | NRSA63J-101X | MG RESISTOR | 100Ω 1/16W J | | R3912 | NRSA63J-103X | MG RESISTOR | 10kΩ 1/16W J | |
| R3219 | NRSA63J-101X | MG RESISTOR | 100Ω 1/16W J | | R3914 | NRSA63J-473X | MG RESISTOR | 47kΩ 1/16W J | |
| R3220 | NRSA63J-104X | MG RESISTOR | 100kΩ 1/16W J | | RA341 | NRZ0065-301X | MG.RES C.M | 300Ω | |
| R3221 | NRSA63J-102X | MG RESISTOR | 1kΩ 1/16W J | | RA342 | NRZ0065-301X | MG.RES C.M | 300Ω | |
| R3222 | NRSA63J-104X | MG RESISTOR | 100kΩ 1/16W J | | L3101 | NQL79GK-100X | COIL | 10uH K | |
| R3223 | NRSA63J-392X | MG RESISTOR | 3.9kΩ 1/16W J | | L3201 | NQLC8CN-4R9X | COIL | 4.9uH N | |
| R3224 | NRSA63J-682X | MG RESISTOR | 6.8kΩ 1/16W J | | L3401 | NQL79GK-470X | COIL | 47uH K | |
| R3251 | NRS181J-0R0X | MG RESISTOR | 0Ω 1/8W J | | L3701 | NQLC8CN-4R9X | COIL | 4.9uH N | |
| R3301 | NRSA63J-750X | MG RESISTOR | 75Ω 1/16W J | | L3711 | NQL71EM-330X | COIL | 33uH M | |
| R3303 | NRSA63J-222X | MG RESISTOR | 2.2kΩ 1/16W J | | L3721 | NQL71EM-330X | COIL | 33uH M | |
| R3304 | NRSA63J-222X | MG RESISTOR | 2.2kΩ 1/16W J | | L3741 | NQL79GK-100X | COIL | 10uH K | |
| R3305 | NRSA63J-223X | MG RESISTOR | 22kΩ 1/16W J | | L3742 | NQLZ007-4R7X | COIL | 4.7uH | |
| R3306 | NRSA63J-223X | MG RESISTOR | 22kΩ 1/16W J | | L3743 | NQL79GK-470X | COIL | 47uH K | |
| R3307 | NRSA63J-471X | MG RESISTOR | 470Ω 1/16W J | | L3801 | NQL79GK-470X | COIL | 47uH K | |
| R3308 | NRSA63J-0R0X | MG RESISTOR | 0Ω 1/10W J | | CN301 | QGB0815K1-60X | CONNECTOR | B-B (1-60) | |
| R3309 | NRSA63J-0R0X | MG RESISTOR | 0Ω 1/10W J | | CN302 | QGB1004K2-30W | CONNECTOR | B-B (1-30) | |
| R3310 | NRSA63J-0R0X | MG RESISTOR | 0Ω 1/10W J | | CN321 | QNZ0095-001 | CONNECTOR | | |
| R3311 | NRSA63J-0R0X | MG RESISTOR | 0Ω 1/10W J | | CN325 | QGA2001C7-02X | CONNECTOR | W-B (1-2) | |
| R3312 | NRSA63J-0R0X | MG RESISTOR | 0Ω 1/10W J | | CN331 | QGA2015F1-14 | CONNECTOR | W-B (1-14) | |
| R3313 | NRSA63J-271X | MG RESISTOR | 270Ω 1/16W J | | CN351 | QGB2027M4-30S | CONNECTOR | B-B (1-30) | |
| R3315 | NRSA63J-101X | MG RESISTOR | 100Ω 1/16W J | | EP301 | NNZ0165-001X | EARTH TERMINAL | | |
| R3411 | NRSA63J-471X | MG RESISTOR | 470Ω 1/16W J | | EP302 | NNZ0165-001X | EARTH TERMINAL | | |
| R3412 | NRSA63J-471X | MG RESISTOR | 470Ω 1/16W J | | EP303 | NNZ0165-001X | EARTH TERMINAL | | |
| R3414 | NRSA63J-390X | MG RESISTOR | 39Ω 1/16W J | | EP304 | NNZ0165-001X | EARTH TERMINAL | | |
| R3421 | NRSA63J-471X | MG RESISTOR | 470Ω 1/16W J | | EP305 | NNZ0165-001X | EARTH TERMINAL | | |
| R3422 | NRSA63J-471X | MG RESISTOR | 470Ω 1/16W J | | △ F3001 | NMFZ018-R75X-E | FUSE | 0.75A | |
| R3424 | NRSA63J-390X | MG RESISTOR | 39Ω 1/16W J | | △ F3031 | NMFZ018-4R0X-E | FUSE | 4A | |
| R3431 | NRSA63J-332X | MG RESISTOR | 3.3kΩ 1/16W J | | △ F3032 | NMFZ018-4R0X-E | FUSE | 4A | |
| R3432 | NRSA63J-181X | MG RESISTOR | 180Ω 1/16W J | | J3801 | QNS0283-001 | STEERING REMOTE | | |
| R3434 | NRSA63J-0R0X | MG RESISTOR | 0Ω 1/10W J | | K3001 | NQR0201-004X | FERRITE BEADS | | |
| R3451 | NRSA63J-0R0X | MG RESISTOR | 0Ω 1/10W J | | K3002 | NQR0201-004X | FERRITE BEADS | | |
| R3452 | NRSA63J-0R0X | MG RESISTOR | 0Ω 1/10W J | | K3551 | NQR0022-005X | FERRITE BEADS | | |
| R3504 | NRSA63J-473X | MG RESISTOR | 47kΩ 1/16W J | | K3801 | NRSA63J-0R0X | MG RESISTOR | 0Ω 1/10W J | |
| R3508 | NRSA63J-473X | MG RESISTOR | 47kΩ 1/16W J | | K3802 | NRSA63J-0R0X | MG RESISTOR | 0Ω 1/10W J | |
| R3510 | NRSA63J-473X | MG RESISTOR | 47kΩ 1/16W J | | PP3 | QZW0010-001 | STYLE PIN | | |
| R3513 | NRSA63J-473X | MG RESISTOR | 47kΩ 1/16W J | | S3001 | NSW0126-001X | DETECT SWITCH | | |
| R3515 | NRSA63J-473X | MG RESISTOR | 47kΩ 1/16W J | | | | | | |
| R3516 | NRSA63J-0R0X | MG RESISTOR | 0Ω 1/10W J | | | | | | |
| R3517 | NRSA63J-0R0X | MG RESISTOR | 0Ω 1/10W J | | | | | | |
| R3518 | NRSA63J-224X | MG RESISTOR | 220kΩ 1/16W J | | | | | | |
| R3519 | NRSA63J-224X | MG RESISTOR | 220kΩ 1/16W J | | | | | | |
| R3551 | NRSA63J-0R0X | MG RESISTOR | 0Ω 1/10W J | | | | | | |
| R3711 | NRSA63D-224X | MG RESISTOR | 220kΩ 1/16W D | | | | | | |
| R3712 | NRSA63J-154X | MG RESISTOR | 150kΩ 1/16W J | | | | | | |
| R3713 | NRSA63D-623X | MG RESISTOR | 62kΩ 1/16W D | | | | | | |
| R3714 | NRSA63D-224X | MG RESISTOR | 220kΩ 1/16W D | | | | | | |
| R3715 | NRSA63D-103X | MG RESISTOR | 10kΩ 1/16W D | | | | | | |
| R3721 | NRSA63D-224X | MG RESISTOR | 220kΩ 1/16W D | | | | | | |
| R3722 | NRSA63J-154X | MG RESISTOR | 150kΩ 1/16W J | | | | | | |
| R3723 | NRSA63D-243X | MG RESISTOR | 24kΩ 1/16W D | | | | | | |
| R3725 | NRSA63D-103X | MG RESISTOR | 10kΩ 1/16W D | | | | | | |
| R3741 | NRSA63J-154X | MG RESISTOR | 150kΩ 1/16W J | | | | | | |
| R3742 | NRSA63J-473X | MG RESISTOR | 47kΩ 1/16W J | | | | | | |
| R3743 | NRSA63J-104X | MG RESISTOR | 100kΩ 1/16W J | | | | | | |
| R3744 | NRSA63J-682X | MG RESISTOR | 6.8kΩ 1/16W J | | | | | | |
| R3745 | NRSA63D-184X | MG RESISTOR | 180kΩ 1/16W D | | | | | | |
| R3746 | NRSA63D-203X | MG RESISTOR | 20kΩ 1/16W D | | | | | | |
| R3747 | NRSA63J-331X | MG RESISTOR | 330Ω 1/16W J | | | | | | |
| R3748 | NRSA63J-104X | MG RESISTOR | 100kΩ 1/16W J | | | | | | |
| R3749 | NRSA63J-102X | MG RESISTOR | 1kΩ 1/16W J | | | | | | |
| R3750 | NRSA63J-0R0X | MG RESISTOR | 0Ω 1/10W J | | | | | | |
| R3751 | NRSA63J-202X | MG RESISTOR | 2kΩ 1/16W J | | | | | | |
| R3752 | NRSA63J-223X | MG RESISTOR | 22kΩ 1/16W J | | | | | | |
| R3753 | NRSA63J-562X | MG RESISTOR | 5.6kΩ 1/16W J | | | | | | |

Old Detach board (old KW-NT1J)

Block No. [0][3]

| △ Symbol No. | Part No. | Part Name | Description | Local |
|--------------|-----------------|------------|-------------|-------|
| IC401 | RUQ050N02-W | MOS FET | | |
| IC451 | BA00CC0WFP-X | IC | | |
| IC452 | BA00CC0WFP-X | IC | | |
| IC453 | NJM4580E-X | IC | | |
| Q451 | 2SC1623A/5-6/-X | TRANSISTOR | | |
| D401 | MA8062/M/-X | Z DIODE | | |
| D402 | MA8062/M/-X | Z DIODE | | |
| D403 | MA8062/M/-X | Z DIODE | | |
| D404 | MA8062/M/-X | Z DIODE | | |
| D405 | MA8062/M/-X | Z DIODE | | |
| D406 | MA8062/M/-X | Z DIODE | | |
| D407 | MA8062/M/-X | Z DIODE | | |
| D408 | MA8062/M/-X | Z DIODE | | |
| D409 | MA8062/M/-X | Z DIODE | | |

| Symbol No. | Part No. | Part Name | Description | Local |
|------------|-----------------|-----------|-------------|-------|
| D410 | MA8062/M/-X | Z DIODE | | |
| D411 | MA8062/M/-X | Z DIODE | | |
| D412 | MA8062/M/-X | Z DIODE | | |
| D413 | MA8062/M/-X | Z DIODE | | |
| D414 | MA8062/M/-X | Z DIODE | | |
| D415 | MA8062/M/-X | Z DIODE | | |
| D416 | MA8062/M/-X | Z DIODE | | |
| D417 | MA8062/M/-X | Z DIODE | | |
| D418 | MA8062/M/-X | Z DIODE | | |
| D419 | MA8062/M/-X | Z DIODE | | |
| D420 | MA8062/M/-X | Z DIODE | | |
| D421 | MA8062/M/-X | Z DIODE | | |
| D422 | MA8062/M/-X | Z DIODE | | |
| D423 | MA8062/M/-X | Z DIODE | | |
| D451 | CRS03-W | SB DIODE | | |
| D452 | CRS03-W | SB DIODE | | |
| D453 | CRS03-W | SB DIODE | | |
| D454 | MA8056/H/-X | Z DIODE | | |
| D458 | CRS03-W | SB DIODE | | |
| D459 | CRS03-W | SB DIODE | | |
| D491 | NECBB205/WPQR/X | LED | | |
| D4531 | MA8051/M/-X | Z DIODE | | |
| D4541 | MA8051/M/-X | Z DIODE | | |

| Symbol No. | Part No. | Part Name | Description | Local |
|------------|---------------|----------------|----------------|-------|
| CN401 | NNZ0230-003 | CAR CONNECTOR | | |
| CN402 | QGA1002F1-02X | CONNECTOR | W-B (1-2) | |
| CN411 | QGB0815J1-60X | CONNECTOR | B-B (1-60) | |
| CN412 | QGB1004J4-30X | CONNECTOR | B-B (1-30) | |
| CN421 | QGB0815J1-60X | CONNECTOR | B-B (1-60) | |
| CN422 | QGB1004J4-30X | CONNECTOR | B-B (1-30) | |
| CN451 | QGB2027L9-30X | CONNECTOR | B-B (1-30) | |
| CN461 | QGF0534F3-50X | CONNECTOR | FFC/FPC (1-50) | |
| CN491 | QGA1002F1-02X | CONNECTOR | W-B (1-2) | |
| EP401 | NNZ0165-001X | EARTH TERMINAL | | |
| EP402 | NNZ0165-001X | EARTH TERMINAL | | |
| EP403 | NNZ0165-001X | EARTH TERMINAL | | |
| EP451 | NNZ0165-001X | EARTH TERMINAL | | |
| EP452 | NNZ0165-001X | EARTH TERMINAL | | |
| EP453 | NNZ0165-001X | EARTH TERMINAL | | |
| EP454 | NNZ0165-001X | EARTH TERMINAL | | |

Old Panel board (old KW-NT1J)

Block No. [0][4]

| Symbol No. | Part No. | Part Name | Description | Local |
|------------|-----------------|-----------------|-------------|-------|
| IC801 | BU21010MUV-X | IC | | |
| IC901 | JVM4233 | IC(MCU) | | |
| IC921 | KE455U2557MFP | IC | | |
| IC941 | NJM072BV-X | IC | | |
| IC945 | TC74VHCT04AFT-X | IC | | |
| IC951 | TPS61500PWP-X | IC | | |
| IC952 | TC7S08FU-X | IC C.M. | | |
| IC970 | TC4066BFT-X | IC(DIGITAL) | | |
| IC973 | NJM4565E-X | IC | | |
| IC975 | TC4066BFT-X | IC(DIGITAL) | | |
| IC980 | NAU0004-005 | RF MODULE | | |
| IC983 | NJM4565E-X | IC | | |
| IC985 | NJM2229M-X | IC | | |
| IC986 | NJM2505AF-X | IC | | |
| IC987 | NJM2505AF-X | IC | | |
| IC991 | BA50BC0FP-X | IC | | |
| IC992 | NJM2871BF33-X | IC | | |
| IC993 | BA00BC0WFP-X | IC(DIGITAL) | | |
| Q9101 | 2SA2119K-X | TRANSISTOR | | |
| Q9102 | 2SC5938A/B/-X | TRANSISTOR | | |
| Q9111 | 2SA2119K-X | TRANSISTOR | | |
| Q9112 | 2SC5938A/B/-X | TRANSISTOR | | |
| Q9121 | ISA1530AC1/R/-X | TRANSISTOR | | |
| Q9401 | 2SD601A/QR/-X | TRANSISTOR | | |
| Q9402 | 2SB709A/QR/-X | TRANSISTOR | | |
| Q9403 | 2SD601A/QR/-X | TRANSISTOR | | |
| Q9404 | 2SB709A/QR/-X | TRANSISTOR | | |
| Q9511 | RSQ025P03-W | TRANSISTOR | | |
| Q9512 | 2SK3019-X | MOS FET | | |
| Q9601 | RT1N141C-X | DIGI TRANSISTOR | | |
| Q9602 | RT1N141C-X | DIGI TRANSISTOR | | |
| Q9701 | RT1N141C-X | DIGI TRANSISTOR | | |
| Q9702 | RT1N441C-X | TRANSISTOR | | |
| Q9711 | RT1N141C-X | DIGI TRANSISTOR | | |
| Q9712 | 2SB709A/QR/-X | TRANSISTOR | | |
| Q9713 | 2SC5938A/B/-X | TRANSISTOR | | |
| Q9714 | 2SB709A/QR/-X | TRANSISTOR | | |
| Q9715 | 2SC5938A/B/-X | TRANSISTOR | | |
| Q9751 | RT1N141C-X | DIGI TRANSISTOR | | |
| Q9752 | RT1N441C-X | TRANSISTOR | | |
| D8401 | CL-260S-HB8-X | LED | | |
| D8402 | CL-260S-HB8-X | LED | | |
| D8403 | CL-260S-HB8-X | LED | | |
| D8404 | CL-260S-HB8-X | LED | | |
| D9004 | MA2SD31-X | SB DIODE | | |
| D9501 | MA22D39-X | SB DIODE | | |
| D9812 | MA8033-X | Z DIODE | | |
| C8301 | NBE20JM-476X | TA E CAPACITOR | 47uF 6.3V M | |

| △ Symbol No. | Part No. | Part Name | Description | Local | △ Symbol No. | Part No. | Part Name | Description | Local |
|--------------|----------------|----------------|---------------|-------|--------------|----------------|----------------|---------------|-------|
| C8302 | NCB31CK-104X | C CAPACITOR | 0.1uF 16V K | | C9743 | NCB31CK-105X | C CAPACITOR | 1uF 16V K | |
| C8303 | NBE20JM-476X | TA E CAPACITOR | 47uF 6.3V M | | C9744 | NDC31HJ-101X | C CAPACITOR | 100pF 50V J | |
| C8304 | NCB31CK-104X | C CAPACITOR | 0.1uF 16V K | | C9745 | NDC31HJ-101X | C CAPACITOR | 100pF 50V J | |
| C8305 | NDC31HJ-150X-G | C CAPACITOR | 15pF 50V J | | C9746 | NDC31HJ-101X | C CAPACITOR | 100pF 50V J | |
| C8306 | NCB31HK-103X | C CAPACITOR | 0.01uF 50V K | | C9747 | NDC31HJ-101X | C CAPACITOR | 100pF 50V J | |
| C8501 | NCB31HK-103X | C CAPACITOR | 0.01uF 50V K | | C9752 | NCB31CK-104X | C CAPACITOR | 0.1uF 16V K | |
| C8504 | NCB31HK-103X | C CAPACITOR | 0.01uF 50V K | | C9801 | NEAF0JM-107X | E CAPACITOR | 100uF 6.3V M | |
| C8505 | NCJ11EK-106X-R | C CAPACITOR | 10uF 25V | | C9802 | NCB31CK-104X | C CAPACITOR | 0.1uF 16V K | |
| C8601 | NDC31HJ-101X | C CAPACITOR | 100pF 50V J | | C9811 | NCB31CK-105X | C CAPACITOR | 1uF 16V K | |
| C8602 | NDC31HJ-101X | C CAPACITOR | 100pF 50V J | | C9812 | NCB31CK-105X | C CAPACITOR | 1uF 16V K | |
| C8603 | NDC31HJ-101X | C CAPACITOR | 100pF 50V J | | C9813 | NCB31CK-105X | C CAPACITOR | 1uF 16V K | |
| C8604 | NCB31HK-102X | C CAPACITOR | 1000pF 50V K | | C9814 | NCB31CK-105X | C CAPACITOR | 1uF 16V K | |
| C9031 | NCB31CK-104X | C CAPACITOR | 0.1uF 16V K | | C9815 | NCB31HK-103X | C CAPACITOR | 0.01uF 50V K | |
| C9061 | NCB31CK-104X | C CAPACITOR | 0.1uF 16V K | | C9831 | NCB31CK-104X | C CAPACITOR | 0.1uF 16V K | |
| C9062 | NDC31HJ-8R0X | C CAPACITOR | 8pF 50V J | | C9833 | NBE41AM-226X | TA E CAPACITOR | 22uF 10V M | |
| C9063 | NDC31HJ-8R0X | C CAPACITOR | 8pF 50V J | | C9834 | NCB31CK-105X | C CAPACITOR | 1uF 16V K | |
| C9064 | NCB31CK-474X | C CAPACITOR | 0.47uF 16V K | | C9836 | NCB31CK-105X | C CAPACITOR | 1uF 16V K | |
| C9065 | NCB31CK-104X | C CAPACITOR | 0.1uF 16V K | | C9838 | NDC31HJ-101X | C CAPACITOR | 100pF 50V J | |
| C9071 | NCB31CK-104X | C CAPACITOR | 0.1uF 16V K | | C9840 | NDC31HJ-331X | C CAPACITOR | 330pF 50V J | |
| C9072 | NBE40JM-476X | TA E CAPACITOR | 47uF 6.3V M | | C9842 | NDC31HJ-101X | C CAPACITOR | 100pF 50V J | |
| C9092 | NCB31HK-103X | C CAPACITOR | 0.01uF 50V K | | C9851 | NBE51CM-476X | TA E CAPACITOR | 47uF 16V M | |
| C9101 | NCB31AK-105X | C CAPACITOR | 1uF 10V K | | C9852 | NCB31CK-104X | C CAPACITOR | 0.1uF 16V K | |
| C9111 | NCB31AK-105X | C CAPACITOR | 1uF 10V K | | C9853 | NCB31HK-103X | C CAPACITOR | 0.01uF 50V K | |
| C9131 | NCB31HK-103X | C CAPACITOR | 0.01uF 50V K | | C9854 | NDC31HJ-101X | C CAPACITOR | 100pF 50V J | |
| C9132 | NCB31HK-103X | C CAPACITOR | 0.01uF 50V K | | C9855 | NCB31HK-102X | C CAPACITOR | 1000pF 50V K | |
| C9133 | NCB31HK-103X | C CAPACITOR | 0.01uF 50V K | | C9856 | NCB31HK-102X | C CAPACITOR | 1000pF 50V K | |
| C9134 | NCB31HK-103X | C CAPACITOR | 0.01uF 50V K | | C9857 | NBE41AM-106X | TA E CAPACITOR | 10uF 10V M | |
| C9201 | NCB31CK-104X | C CAPACITOR | 0.1uF 16V K | | C9861 | NCB31CK-105X | C CAPACITOR | 1uF 16V K | |
| C9202 | NCB31CK-104X | C CAPACITOR | 0.1uF 16V K | | C9862 | NCB31CK-105X | C CAPACITOR | 1uF 16V K | |
| C9231 | NCB31CK-104X | C CAPACITOR | 0.1uF 16V K | | C9863 | NCB31CK-105X | C CAPACITOR | 1uF 16V K | |
| C9232 | NCB31CK-104X | C CAPACITOR | 0.1uF 16V K | | C9871 | NBE41CM-226X | TA E CAPACITOR | 22uF 16V M | |
| C9233 | NCB31CK-104X | C CAPACITOR | 0.1uF 16V K | | C9872 | NCB31CK-105X | C CAPACITOR | 1uF 16V K | |
| C9234 | NCB31CK-104X | C CAPACITOR | 0.1uF 16V K | | C9873 | NCJ21CK-106X-R | C CAPACITOR | 10uF 16V K | |
| C9261 | NCB31CK-104X | C CAPACITOR | 0.1uF 16V K | | C9874 | NCJ21CK-106X-R | C CAPACITOR | 10uF 16V K | |
| C9262 | NCB31CK-104X | C CAPACITOR | 0.1uF 16V K | | C9911 | NBE51CM-476X | TA E CAPACITOR | 47uF 16V M | |
| C9291 | NCB31CK-104X | C CAPACITOR | 0.1uF 16V K | | C9912 | NCB31CK-104X | C CAPACITOR | 0.1uF 16V K | |
| C9292 | NCB31CK-104X | C CAPACITOR | 0.1uF 16V K | | C9913 | NBE41CM-226X | TA E CAPACITOR | 22uF 16V M | |
| C9301 | NBE41AM-226X | TA E CAPACITOR | 22uF 10V M | | C9914 | NCB31HK-103X | C CAPACITOR | 0.01uF 50V K | |
| C9401 | NBE41DM-106X | TA E CAPACITOR | 10uF 20V M | | C9921 | NCB31CK-104X | C CAPACITOR | 0.1uF 16V K | |
| C9402 | NCJ11EK-106X-R | C CAPACITOR | 10uF 25V | | C9922 | NBE41AM-226X | TA E CAPACITOR | 22uF 10V M | |
| C9403 | NCB31CK-104X | C CAPACITOR | 0.1uF 16V K | | C9923 | NCB31CK-104X | C CAPACITOR | 0.1uF 16V K | |
| C9404 | NCB31CK-104X | C CAPACITOR | 0.1uF 16V K | | C9924 | NCB31HK-103X | C CAPACITOR | 0.01uF 50V K | |
| C9405 | NCB31EK-104X | C CAPACITOR | 0.1uF 25V K | | C9931 | NCB31CK-104X | C CAPACITOR | 0.1uF 16V K | |
| C9406 | NCJ11EK-106X-R | C CAPACITOR | 10uF 25V | | C9932 | NBE41DM-106X | TA E CAPACITOR | 10uF 20V M | |
| C9407 | NCB31EK-104X | C CAPACITOR | 0.1uF 25V K | | C9933 | NCJ11EK-106X-R | C CAPACITOR | 10uF 25V | |
| C9408 | NCJ11EK-106X-R | C CAPACITOR | 10uF 25V | | C9934 | NCJ11EK-106X-R | C CAPACITOR | 10uF 25V | |
| C9409 | NCB31AK-474X | C CAPACITOR | 0.47uF 10V K | | | | | | |
| C9410 | NCB31HK-104X | C CAPACITOR | 0.1uF 50V K | | R8301 | NRSA63J-101X | MG RESISTOR | 100Ω 1/16W J | |
| C9411 | NCB31CK-104X | C CAPACITOR | 0.1uF 16V K | | R8302 | NRSA63J-101X | MG RESISTOR | 100Ω 1/16W J | |
| C9451 | NCB31CK-104X | C CAPACITOR | 0.1uF 16V K | | R8303 | NRSA63J-222X | MG RESISTOR | 2.2kΩ 1/16W J | |
| C9481 | NCB31CK-104X | C CAPACITOR | 0.1uF 16V K | | R8304 | NRSA63J-222X | MG RESISTOR | 2.2kΩ 1/16W J | |
| C9482 | NCB31HK-104X | C CAPACITOR | 0.1uF 50V K | | R8305 | NRSA63J-222X | MG RESISTOR | 2.2kΩ 1/16W J | |
| C9483 | NCB31CK-104X | C CAPACITOR | 0.1uF 16V K | | R8306 | NRSA63J-222X | MG RESISTOR | 2.2kΩ 1/16W J | |
| C9484 | NCB31CK-104X | C CAPACITOR | 0.1uF 16V K | | R8601 | NRSA63J-104X | MG RESISTOR | 100kΩ 1/16W J | |
| C9501 | NBE41DM-106X | TA E CAPACITOR | 10uF 20V M | | R8602 | NRSA63J-104X | MG RESISTOR | 100kΩ 1/16W J | |
| C9502 | NCJ11EK-106X-R | C CAPACITOR | 10uF 25V | | R8603 | NRSA63J-104X | MG RESISTOR | 100kΩ 1/16W J | |
| C9503 | NCJ11EK-106X-R | C CAPACITOR | 10uF 25V | | R9001 | NRSA63J-101X | MG RESISTOR | 100Ω 1/16W J | |
| C9504 | NCB31CK-105X | C CAPACITOR | 1uF 16V K | | R9002 | NRSA63J-101X | MG RESISTOR | 100Ω 1/16W J | |
| C9505 | NCB31EK-223X | C CAPACITOR | 0.022uF 25V K | | R9003 | NRSA63J-102X | MG RESISTOR | 1kΩ 1/16W J | |
| C9507 | NCB31CK-474X | C CAPACITOR | 0.47uF 16V K | | R9004 | NRSA63J-102X | MG RESISTOR | 1kΩ 1/16W J | |
| C9508 | NEAG1CM-476X | E CAPACITOR | 47uF 16V M | | R9005 | NRSA63J-102X | MG RESISTOR | 1kΩ 1/16W J | |
| C9509 | NEAG1CM-476X | E CAPACITOR | 47uF 16V M | | R9006 | NRSA63J-102X | MG RESISTOR | 1kΩ 1/16W J | |
| C9510 | NEAF1CM-107X | E CAPACITOR | 100uF 16V M | | R9007 | NRSA63J-102X | MG RESISTOR | 1kΩ 1/16W J | |
| C9511 | NEAG1CM-476X | E CAPACITOR | 47uF 16V M | | R9008 | NRSA63J-102X | MG RESISTOR | 1kΩ 1/16W J | |
| C9512 | NCB31CK-104X | C CAPACITOR | 0.1uF 16V K | | R9009 | NRSA63J-102X | MG RESISTOR | 1kΩ 1/16W J | |
| C9513 | NCJ11EK-106X-R | C CAPACITOR | 10uF 25V | | R9010 | NRSA63J-102X | MG RESISTOR | 1kΩ 1/16W J | |
| C9514 | NCJ11EK-106X-R | C CAPACITOR | 10uF 25V | | R9011 | NRSA63J-102X | MG RESISTOR | 1kΩ 1/16W J | |
| C9515 | NCJ11EK-106X-R | C CAPACITOR | 10uF 25V | | R9012 | NRSA63J-0R0X | MG RESISTOR | 0Ω 1/10W J | |
| C9516 | NCJ11EK-106X-R | C CAPACITOR | 10uF 25V | | R9013 | NRSA63J-472X | MG RESISTOR | 4.7kΩ 1/16W J | |
| C9702 | NCB31CK-104X | C CAPACITOR | 0.1uF 16V K | | R9014 | NRSA63J-472X | MG RESISTOR | 4.7kΩ 1/16W J | |
| C9703 | NCJ21CK-106X-R | C CAPACITOR | 10uF 16V K | | R9015 | NRSA63J-103X | MG RESISTOR | 10kΩ 1/16W J | |
| C9704 | NCJ21CK-106X-R | C CAPACITOR | 10uF 16V K | | R9021 | NRSA63J-0R0X | MG RESISTOR | 0Ω 1/10W J | |
| C9705 | NCB31HK-103X | C CAPACITOR | 0.01uF 50V K | | R9022 | NRSA63J-102X | MG RESISTOR | 1kΩ 1/16W J | |
| C9731 | NCB31CK-104X | C CAPACITOR | 0.1uF 16V K | | R9023 | NRSA63J-102X | MG RESISTOR | 1kΩ 1/16W J | |
| C9733 | NBE41AM-476X | TA E CAPACITOR | 47uF 10V M | | R9024 | NRSA63J-102X | MG RESISTOR | 1kΩ 1/16W J | |
| C9736 | NCB31CK-105X | C CAPACITOR | 1uF 16V K | | R9025 | NRSA63J-102X | MG RESISTOR | 1kΩ 1/16W J | |
| C9737 | NCB31CK-105X | C CAPACITOR | 1uF 16V K | | R9026 | NRSA63J-561X | MG RESISTOR | 560Ω 1/16W J | |
| C9742 | NCB31CK-105X | C CAPACITOR | 1uF 16V K | | R9027 | NRSA63J-561X | MG RESISTOR | 560Ω 1/16W J | |

| △ Symbol No. | Part No. | Part Name | Description | Local | △ Symbol No. | Part No. | Part Name | Description | Local |
|--------------|--------------|-------------|---------------|-------|--------------|--------------|-------------|---------------|-------|
| R9028 | NRSA63J-101X | MG RESISTOR | 100Ω 1/16W J | | R9268 | NRSA63J-101X | MG RESISTOR | 100Ω 1/16W J | |
| R9029 | NRSA63J-102X | MG RESISTOR | 1kΩ 1/16W J | | R9269 | NRSA63J-101X | MG RESISTOR | 100Ω 1/16W J | |
| R9030 | NRSA63J-102X | MG RESISTOR | 1kΩ 1/16W J | | R9270 | NRSA63J-101X | MG RESISTOR | 100Ω 1/16W J | |
| R9033 | NRSA63J-103X | MG RESISTOR | 10kΩ 1/16W J | | R9271 | NRSA63J-101X | MG RESISTOR | 100Ω 1/16W J | |
| R9041 | NRSA63J-102X | MG RESISTOR | 1kΩ 1/16W J | | R9272 | NRSA63J-101X | MG RESISTOR | 100Ω 1/16W J | |
| R9042 | NRSA63J-102X | MG RESISTOR | 1kΩ 1/16W J | | R9273 | NRSA63J-101X | MG RESISTOR | 100Ω 1/16W J | |
| R9043 | NRSA63J-102X | MG RESISTOR | 1kΩ 1/16W J | | R9275 | NRSA63J-101X | MG RESISTOR | 100Ω 1/16W J | |
| R9044 | NRSA63J-102X | MG RESISTOR | 1kΩ 1/16W J | | R9276 | NRSA63J-101X | MG RESISTOR | 100Ω 1/16W J | |
| R9045 | NRSA63J-102X | MG RESISTOR | 1kΩ 1/16W J | | R9277 | NRSA63J-101X | MG RESISTOR | 100Ω 1/16W J | |
| R9049 | NRSA63J-102X | MG RESISTOR | 1kΩ 1/16W J | | R9278 | NRSA63J-101X | MG RESISTOR | 100Ω 1/16W J | |
| R9050 | NRSA63J-102X | MG RESISTOR | 1kΩ 1/16W J | | R9279 | NRSA63J-101X | MG RESISTOR | 100Ω 1/16W J | |
| R9051 | NRSA63J-102X | MG RESISTOR | 1kΩ 1/16W J | | R9280 | NRSA63J-101X | MG RESISTOR | 100Ω 1/16W J | |
| R9052 | NRSA63J-102X | MG RESISTOR | 1kΩ 1/16W J | | R9281 | NRSA63J-101X | MG RESISTOR | 100Ω 1/16W J | |
| R9053 | NRSA63J-822X | MG RESISTOR | 8.2kΩ 1/16W J | | R9282 | NRSA63J-101X | MG RESISTOR | 100Ω 1/16W J | |
| R9062 | NRSA63J-103X | MG RESISTOR | 10kΩ 1/16W J | | R9284 | NRSA63J-101X | MG RESISTOR | 100Ω 1/16W J | |
| R9063 | NRSA63J-103X | MG RESISTOR | 10kΩ 1/16W J | | R9292 | NRSA63J-103X | MG RESISTOR | 10kΩ 1/16W J | |
| R9064 | NRSA63J-222X | MG RESISTOR | 2.2kΩ 1/16W J | | R9298 | NRSA63J-103X | MG RESISTOR | 10kΩ 1/16W J | |
| R9065 | NRSA63J-102X | MG RESISTOR | 1kΩ 1/16W J | | R9299 | NRSA63J-103X | MG RESISTOR | 10kΩ 1/16W J | |
| R9066 | NRSA63J-472X | MG RESISTOR | 4.7kΩ 1/16W J | | R9300 | NRSA63J-103X | MG RESISTOR | 10kΩ 1/16W J | |
| R9067 | NRSA63J-473X | MG RESISTOR | 47kΩ 1/16W J | | R9301 | NRSA63J-103X | MG RESISTOR | 10kΩ 1/16W J | |
| R9068 | NRSA63J-102X | MG RESISTOR | 1kΩ 1/16W J | | R9302 | NRSA63J-103X | MG RESISTOR | 10kΩ 1/16W J | |
| R9081 | NRSA63J-0R0X | MG RESISTOR | 0Ω 1/10W J | | R9306 | NRSA63J-101X | MG RESISTOR | 100Ω 1/16W J | |
| R9082 | NRSA63J-0R0X | MG RESISTOR | 0Ω 1/10W J | | R9307 | NRSA63J-103X | MG RESISTOR | 10kΩ 1/16W J | |
| R9091 | NRSA02J-101X | MG RESISTOR | 100Ω 1/10W J | | R9308 | NRSA63J-103X | MG RESISTOR | 10kΩ 1/16W J | |
| R9101 | NRSA63J-332X | MG RESISTOR | 3.3kΩ 1/16W J | | R9309 | NRSA63J-101X | MG RESISTOR | 100Ω 1/16W J | |
| R9102 | NRSA63J-223X | MG RESISTOR | 22kΩ 1/16W J | | R9310 | NRSA63J-101X | MG RESISTOR | 100Ω 1/16W J | |
| R9103 | NRSA63J-222X | MG RESISTOR | 2.2kΩ 1/16W J | | R9311 | NRSA63J-101X | MG RESISTOR | 100Ω 1/16W J | |
| R9104 | NRSA63J-332X | MG RESISTOR | 3.3kΩ 1/16W J | | R9316 | NRSA63J-101X | MG RESISTOR | 100Ω 1/16W J | |
| R9105 | NRSA63J-223X | MG RESISTOR | 22kΩ 1/16W J | | R9322 | NRSA63J-0R0X | MG RESISTOR | 0Ω 1/10W J | |
| R9106 | NRSA63J-222X | MG RESISTOR | 2.2kΩ 1/16W J | | R9401 | NRSA63D-103X | MG RESISTOR | 10kΩ 1/16W D | |
| R9107 | NRSA63J-474X | MG RESISTOR | 470kΩ 1/16W J | | R9402 | NRSA63D-103X | MG RESISTOR | 10kΩ 1/16W D | |
| R9111 | NRSA63J-332X | MG RESISTOR | 3.3kΩ 1/16W J | | R9403 | NRSA63D-223X | MG RESISTOR | 22kΩ 1/16W D | |
| R9112 | NRSA63J-223X | MG RESISTOR | 22kΩ 1/16W J | | R9404 | NRSA63J-390X | MG RESISTOR | 39Ω 1/16W J | |
| R9113 | NRSA63J-222X | MG RESISTOR | 2.2kΩ 1/16W J | | R9405 | NRSA63J-104X | MG RESISTOR | 100kΩ 1/16W J | |
| R9114 | NRSA63J-332X | MG RESISTOR | 3.3kΩ 1/16W J | | R9406 | NRSA63D-183X | MG RESISTOR | 18kΩ 1/16W D | |
| R9115 | NRSA63J-223X | MG RESISTOR | 22kΩ 1/16W J | | R9407 | NRSA63J-474X | MG RESISTOR | 470kΩ 1/16W J | |
| R9116 | NRSA63J-222X | MG RESISTOR | 2.2kΩ 1/16W J | | R9408 | NRSA63J-474X | MG RESISTOR | 470kΩ 1/16W J | |
| R9117 | NRSA63J-474X | MG RESISTOR | 470kΩ 1/16W J | | R9409 | NRSA63J-101X | MG RESISTOR | 100Ω 1/16W J | |
| R9122 | NRSA63J-223X | MG RESISTOR | 22kΩ 1/16W J | | R9410 | NRSA63J-103X | MG RESISTOR | 10kΩ 1/16W J | |
| R9123 | NRSA63J-223X | MG RESISTOR | 22kΩ 1/16W J | | R9411 | NRSA63J-103X | MG RESISTOR | 10kΩ 1/16W J | |
| R9125 | NRSA63J-222X | MG RESISTOR | 2.2kΩ 1/16W J | | R9412 | NRSA63J-390X | MG RESISTOR | 39Ω 1/16W J | |
| R9201 | NRSA63J-101X | MG RESISTOR | 100Ω 1/16W J | | R9413 | NRSA63J-2R2X | MG RESISTOR | 2.2Ω 1/16W J | |
| R9202 | NRSA63J-101X | MG RESISTOR | 100Ω 1/16W J | | R9414 | NRSA63J-2R2X | MG RESISTOR | 2.2Ω 1/16W J | |
| R9203 | NRSA63J-101X | MG RESISTOR | 100Ω 1/16W J | | R9415 | NRSA63J-390X | MG RESISTOR | 39Ω 1/16W J | |
| R9204 | NRSA63J-101X | MG RESISTOR | 100Ω 1/16W J | | R9416 | NRSA63D-473X | MG RESISTOR | 47kΩ 1/16W D | |
| R9205 | NRSA63J-101X | MG RESISTOR | 100Ω 1/16W J | | R9417 | NRSA63D-243X | MG RESISTOR | 24kΩ 1/16W D | |
| R9206 | NRSA63J-101X | MG RESISTOR | 100Ω 1/16W J | | R9418 | NRSA63J-103X | MG RESISTOR | 10kΩ 1/16W J | |
| R9210 | NRSA63J-101X | MG RESISTOR | 100Ω 1/16W J | | R9452 | NRSA63J-0R0X | MG RESISTOR | 0Ω 1/10W J | |
| R9211 | NRSA63J-101X | MG RESISTOR | 100Ω 1/16W J | | R9453 | NRSA63J-0R0X | MG RESISTOR | 0Ω 1/10W J | |
| R9212 | NRSA63J-101X | MG RESISTOR | 100Ω 1/16W J | | R9461 | NRSA63D-240X | MG RESISTOR | 24Ω 1/16W D | |
| R9213 | NRSA63J-101X | MG RESISTOR | 100Ω 1/16W J | | R9462 | NRSA63D-221X | MG RESISTOR | 220Ω 1/16W D | |
| R9214 | NRSA63J-101X | MG RESISTOR | 100Ω 1/16W J | | R9463 | NRSA63D-820X | MG RESISTOR | 82Ω 1/16W D | |
| R9215 | NRSA63J-101X | MG RESISTOR | 100Ω 1/16W J | | R9464 | NRSA63D-470X | MG RESISTOR | 47Ω 1/16W D | |
| R9219 | NRSA63J-101X | MG RESISTOR | 100Ω 1/16W J | | R9465 | NRSA63D-390X | MG RESISTOR | 39Ω 1/16W D | |
| R9220 | NRSA63J-101X | MG RESISTOR | 100Ω 1/16W J | | R9466 | NRSA63D-430X | MG RESISTOR | 43Ω 1/16W D | |
| R9221 | NRSA63J-101X | MG RESISTOR | 100Ω 1/16W J | | R9467 | NRSA63D-470X | MG RESISTOR | 47Ω 1/16W D | |
| R9222 | NRSA63J-101X | MG RESISTOR | 100Ω 1/16W J | | R9468 | NRSA63D-680X | MG RESISTOR | 68Ω 1/16W D | |
| R9223 | NRSA63J-101X | MG RESISTOR | 100Ω 1/16W J | | R9469 | NRSA63D-161X | MG RESISTOR | 160Ω 1/16W D | |
| R9224 | NRSA63J-101X | MG RESISTOR | 100Ω 1/16W J | | R9470 | NRSA63D-201X | MG RESISTOR | 200Ω 1/16W D | |
| R9232 | NRSA63J-101X | MG RESISTOR | 100Ω 1/16W J | | R9471 | NRSA63D-100X | MG RESISTOR | 10Ω 1/16W D | |
| R9233 | NRSA63J-101X | MG RESISTOR | 100Ω 1/16W J | | R9472 | NRSA63D-100X | MG RESISTOR | 10Ω 1/16W D | |
| R9234 | NRSA63J-101X | MG RESISTOR | 100Ω 1/16W J | | R9501 | NRSA63J-205X | MG RESISTOR | 2MΩ 1/16W J | |
| R9235 | NRSA63J-101X | MG RESISTOR | 100Ω 1/16W J | | R9502 | NRSA63J-134X | MG RESISTOR | 130kΩ 1/16W J | |
| R9236 | NRSA63J-101X | MG RESISTOR | 100Ω 1/16W J | | R9503 | NRSA63J-2R0X | MG RESISTOR | 2Ω 1/16W J | |
| R9240 | NRSA63J-101X | MG RESISTOR | 100Ω 1/16W J | | R9504 | NRSA63J-2R0X | MG RESISTOR | 2Ω 1/16W J | |
| R9247 | NRSA63J-103X | MG RESISTOR | 10kΩ 1/16W J | | R9505 | NRSA63D-392X | MG RESISTOR | 3.9kΩ 1/16W D | |
| R9248 | NRSA63J-103X | MG RESISTOR | 10kΩ 1/16W J | | R9506 | NRSA63D-393X | MG RESISTOR | 39kΩ 1/16W D | |
| R9251 | NRSA63J-103X | MG RESISTOR | 10kΩ 1/16W J | | R9507 | NRSA63J-0R0X | MG RESISTOR | 0Ω 1/10W J | |
| R9253 | NRSA63J-103X | MG RESISTOR | 10kΩ 1/16W J | | R9511 | NRSA63J-222X | MG RESISTOR | 2.2kΩ 1/16W J | |
| R9255 | NRSA63J-103X | MG RESISTOR | 10kΩ 1/16W J | | R9512 | NRSA63J-222X | MG RESISTOR | 2.2kΩ 1/16W J | |
| R9256 | NRSA63J-102X | MG RESISTOR | 1kΩ 1/16W J | | R9513 | NRSA63J-102X | MG RESISTOR | 1kΩ 1/16W J | |
| R9257 | NRSA63J-101X | MG RESISTOR | 100Ω 1/16W J | | R9514 | NRSA63J-1R0X | MG RESISTOR | 1Ω 1/16W J | |
| R9261 | NRSA63J-101X | MG RESISTOR | 100Ω 1/16W J | | R9515 | NRSA63J-1R0X | MG RESISTOR | 1Ω 1/16W J | |
| R9262 | NRSA63J-101X | MG RESISTOR | 100Ω 1/16W J | | R9516 | NRSA63J-102X | MG RESISTOR | 1kΩ 1/16W J | |
| R9263 | NRSA63J-101X | MG RESISTOR | 100Ω 1/16W J | | R9601 | NRSA02J-682X | MG RESISTOR | 6.8kΩ 1/10W J | |
| R9264 | NRSA63J-101X | MG RESISTOR | 100Ω 1/16W J | | R9602 | NRSA02J-222X | MG RESISTOR | 2.2kΩ 1/10W J | |
| R9265 | NRSA63J-101X | MG RESISTOR | 100Ω 1/16W J | | R9603 | NRSA02J-332X | MG RESISTOR | 3.3kΩ 1/10W J | |
| R9266 | NRSA63J-101X | MG RESISTOR | 100Ω 1/16W J | | R9701 | NRSA63J-101X | MG RESISTOR | 100Ω 1/16W J | |

| △ Symbol No. | Part No. | Part Name | Description | Local | △ Symbol No. | Part No. | Part Name | Description | Local |
|--------------|---------------|-------------|----------------|-------|--------------|----------------|------------------|----------------|-------|
| R9702 | NRSA63J-101X | MG RESISTOR | 100Ω 1/16W J | | CN901 | QGF0534F3-40X | CONNECTOR | FFC/FPC (1-40) | |
| R9703 | NRSA63J-101X | MG RESISTOR | 100Ω 1/16W J | | CN902 | QGF0534F3-10X | CONNECTOR | FFC/FPC (1-10) | |
| R9704 | NRSA63J-224X | MG RESISTOR | 220kΩ 1/16W J | | CN911 | QGF1039F2-04X | CONNECTOR | FFC/FPC (1-4) | |
| R9706 | NRSA63J-224X | MG RESISTOR | 220kΩ 1/16W J | | CN921 | QGB0812L2-30X | CONNECTOR | B-B (1-30) | |
| R9710 | NRSA63J-224X | MG RESISTOR | 220kΩ 1/16W J | | CN941 | QGF0534F2-60X | CONNECTOR | FFC/FPC (1-60) | |
| R9712 | NRSA63J-103X | MG RESISTOR | 10kΩ 1/16W J | | CN951 | QGF0568F1-10W | CONNECTOR | FFC/FPC (1-10) | |
| R9713 | NRSA63J-103X | MG RESISTOR | 10kΩ 1/16W J | | CN971 | QGF0534F3-06X | CONNECTOR | FFC/FPC (1-6) | |
| R9714 | NRSA63J-222X | MG RESISTOR | 2.2kΩ 1/16W J | | EP851 | NNZ0129-001X | EARTH TERMINAL | | |
| R9715 | NRSA63J-103X | MG RESISTOR | 10kΩ 1/16W J | | EP861 | NNZ0129-001X | EARTH TERMINAL | | |
| R9716 | NRSA63J-750X | MG RESISTOR | 75Ω 1/16W J | | EP991 | NNZ0129-001X | EARTH TERMINAL | | |
| R9717 | NRSA63J-222X | MG RESISTOR | 2.2kΩ 1/16W J | | EP992 | NNZ0129-001X | EARTH TERMINAL | | |
| R9718 | NRSA63J-222X | MG RESISTOR | 2.2kΩ 1/16W J | | EP993 | NNZ0129-001X | EARTH TERMINAL | | |
| R9719 | NRSA63J-103X | MG RESISTOR | 10kΩ 1/16W J | | EP994 | NNZ0129-001X | EARTH TERMINAL | | |
| R9720 | NRSA63J-750X | MG RESISTOR | 75Ω 1/16W J | | EP995 | NNZ0129-001X | EARTH TERMINAL | | |
| R9721 | NRSA63J-222X | MG RESISTOR | 2.2kΩ 1/16W J | | △ F9001 | NMFZ018-R75X-E | FUSE | 0.75A | |
| R9723 | NRSA63J-0R0X | MG RESISTOR | 0Ω 1/10W J | | △ F9801 | NMFZ018-R75X-E | FUSE | 0.75A | |
| R9731 | NRSA63J-103X | MG RESISTOR | 10kΩ 1/16W J | | J8501 | QNZ1007-001 | USB JACK | | |
| R9732 | NRSA63J-103X | MG RESISTOR | 10kΩ 1/16W J | | J8601 | QNS0288-002 | AUX JACK | | |
| R9733 | NRSA63J-223X | MG RESISTOR | 22kΩ 1/16W J | | K8501 | NRSA63J-0R0X | MG RESISTOR | 0Ω 1/10W J | |
| R9734 | NRSA63J-223X | MG RESISTOR | 22kΩ 1/16W J | | K8502 | NRSA63J-0R0X | MG RESISTOR | 0Ω 1/10W J | |
| R9735 | NRSA63J-303X | MG RESISTOR | 30kΩ 1/16W J | | K8503 | NRSA63J-0R0X | MG RESISTOR | 0Ω 1/10W J | |
| R9736 | NRSA63J-303X | MG RESISTOR | 30kΩ 1/16W J | | K8504 | NRSA63J-0R0X | MG RESISTOR | 0Ω 1/10W J | |
| R9737 | NRSA63J-104X | MG RESISTOR | 100kΩ 1/16W J | | K8505 | NRSA63J-0R0X | MG RESISTOR | 0Ω 1/10W J | |
| R9743 | NRSA63J-303X | MG RESISTOR | 30kΩ 1/16W J | | K8601 | NRSA63J-0R0X | MG RESISTOR | 0Ω 1/10W J | |
| R9744 | NRSA63J-303X | MG RESISTOR | 30kΩ 1/16W J | | K8602 | NRSA63J-0R0X | MG RESISTOR | 0Ω 1/10W J | |
| R9745 | NRSA63J-223X | MG RESISTOR | 22kΩ 1/16W J | | K8603 | NRSA63J-0R0X | MG RESISTOR | 0Ω 1/10W J | |
| R9746 | NRSA63J-223X | MG RESISTOR | 22kΩ 1/16W J | | K8604 | NRSA63J-0R0X | MG RESISTOR | 0Ω 1/10W J | |
| R9753 | NRSA63J-103X | MG RESISTOR | 10kΩ 1/16W J | | TH901 | NAD0028-103X | N THERMISTOR | 10kΩ | |
| R9754 | NRSA63J-103X | MG RESISTOR | 10kΩ 1/16W J | | VA851 | NAF0020-001X | VARISTOR | | |
| R9811 | NRSA63J-331X | MG RESISTOR | 330Ω 1/16W J | | VA852 | NAF0019-001X | VARISTOR | | |
| R9812 | NRSA63J-331X | MG RESISTOR | 330Ω 1/16W J | | VA853 | NAF0019-001X | VARISTOR | | |
| R9813 | NRSA63J-331X | MG RESISTOR | 330Ω 1/16W J | | X9001 | NAX0872-001X | CRYSTAL | | |
| R9814 | NRSA63J-331X | MG RESISTOR | 330Ω 1/16W J | | | | | | |
| R9818 | NRSA63J-0R0X | MG RESISTOR | 0Ω 1/10W J | | | | | | |
| R9819 | NRSA63J-0R0X | MG RESISTOR | 0Ω 1/10W J | | | | | | |
| R9820 | NRSA63J-0R0X | MG RESISTOR | 0Ω 1/10W J | | | | | | |
| R9831 | NRSA63J-104X | MG RESISTOR | 100kΩ 1/16W J | | | | | | |
| R9832 | NRSA63J-104X | MG RESISTOR | 100kΩ 1/16W J | | | | | | |
| R9833 | NRSA63J-243X | MG RESISTOR | 24kΩ 1/16W J | | | | | | |
| R9835 | NRSA63J-243X | MG RESISTOR | 24kΩ 1/16W J | | | | | | |
| R9837 | NRSA63J-223X | MG RESISTOR | 22kΩ 1/16W J | | | | | | |
| R9839 | NRSA63J-223X | MG RESISTOR | 22kΩ 1/16W J | | | | | | |
| R9852 | NRSA63J-684X | MG RESISTOR | 680kΩ 1/16W J | | | | | | |
| R9853 | NRSA63J-302X | MG RESISTOR | 3kΩ 1/16W J | | | | | | |
| R9854 | NRSA63J-103X | MG RESISTOR | 10kΩ 1/16W J | | | | | | |
| R9855 | NRSA63J-333X | MG RESISTOR | 33kΩ 1/16W J | | | | | | |
| R9856 | NRSA63J-302X | MG RESISTOR | 3kΩ 1/16W J | | | | | | |
| R9857 | NRSA63J-103X | MG RESISTOR | 10kΩ 1/16W J | | | | | | |
| R9859 | NRSA63J-103X | MG RESISTOR | 10kΩ 1/16W J | | | | | | |
| R9861 | NRSA63J-224X | MG RESISTOR | 220kΩ 1/16W J | | | | | | |
| R9862 | NRSA63J-224X | MG RESISTOR | 220kΩ 1/16W J | | | | | | |
| R9863 | NRSA63J-101X | MG RESISTOR | 100Ω 1/16W J | | | | | | |
| R9864 | NRSA63J-101X | MG RESISTOR | 100Ω 1/16W J | | | | | | |
| R9871 | NRSA63J-0R0X | MG RESISTOR | 0Ω 1/10W J | | | | | | |
| R9874 | NRSA63J-101X | MG RESISTOR | 100Ω 1/16W J | | | | | | |
| R9875 | NRSA63J-101X | MG RESISTOR | 100Ω 1/16W J | | | | | | |
| R9876 | NRSA02J-0R0X | MG RESISTOR | 0Ω 1/10W J | | | | | | |
| R9931 | NRSA63D-133X | MG RESISTOR | 13kΩ 1/16W D | | | | | | |
| R9932 | NRSA63D-222X | MG RESISTOR | 2.2kΩ 1/16W D | | | | | | |
| L8501 | NQR0536-001X | CHOKE COIL | | | | | | | |
| L9001 | NQL79GM-100X | COIL | 10uH M | | | | | | |
| L9201 | NQL79GM-100X | COIL | 10uH M | | | | | | |
| L9401 | NQL79GM-100X | COIL | 10uH M | | | | | | |
| L9402 | NQL79GM-100X | COIL | 10uH M | | | | | | |
| L9501 | NQL2007-101X | CHOKE COIL | 100uH | | | | | | |
| L9502 | NQL52EM-100X | COIL | 10uH M | | | | | | |
| L9801 | NQL79GM-100X | COIL | 10uH M | | | | | | |
| L9851 | NRSA02J-0R0X | MG RESISTOR | 0Ω 1/10W J | | | | | | |
| L9861 | NQL79GM-470X | COIL | 47uH M | | | | | | |
| L9871 | NQL79GM-470X | COIL | 47uH M | | | | | | |
| L9911 | NQL79GM-1R0X | COIL | 1uH M | | | | | | |
| CN801 | QGB0525L1-14X | CONNECTOR | B-B (1-14) | | D6 | AN1102W-6-X | IR LED | | |
| CN802 | QGF0536C2-10W | CONNECTOR | FFC/FPC (1-10) | | D7 | AN1102W-6-X | IR LED | | |
| CN841 | QGB0525M1-14X | CONNECTOR | B-B (1-14) | | D9 | PS1192HB-22-X | PHOTO TRANSISTOR | | |
| CN851 | QGF0536C2-07W | CONNECTOR | FFC/FPC (1-7) | | | | | | |
| CN861 | QGF0536C2-06W | CONNECTOR | FFC/FPC (1-6) | | D11 | PS1192HB-22-X | PHOTO TRANSISTOR | | |

Old Front end board (FMU-XD3-21D)
Block No. [0][5]

| △ Symbol No. | Part No. | Part Name | Description | Local |
|--------------|--------------------|-----------------|-------------|-------|
| IC1 | BD8215EFV-X | IC | | |
| IC3 | MM3233CF-X | IC | | |
| IC301 | MN2DS0018MA | IC | | |
| IC302 | MM1701CH-X | IC | | |
| IC304 | S-80828CENN-B-G-W | IC | | |
| IC398 | JVM4401 | IC | | |
| IC399 | V54C3128164VCI7 | IC | | |
| IC399 | or M12L128168A-7TG | IC(DIGITAL) | | |
| IC399 | or HY57V281620FTH | IC(DIGITAL) | | |
| IC400 | AK4387ET-X | IC | | |
| IC481 | BR24S32FVT-W-X | IC(DIGITAL) | | |
| IC501 | TC74LCX373FT-X | IC(DIGITAL) | | |
| IC502 | TC74LCX373FT-X | IC(DIGITAL) | | |
| Q2 | RT1N141U-X | DIGI TRANSISTOR | | |
| Q4 | 2SC3928A/R/-X | TRANSISTOR | | |
| Q4 | or 2SD601A/R/-X | TRANSISTOR | | |
| Q7 | 2SC3928A/R/-X | TRANSISTOR | | |
| Q7 | or 2SD601A/R/-X | TRANSISTOR | | |
| Q8 | 2SA1774/R/-X | TRANSISTOR | | |
| Q9 | 2SC4617/R/-X | TRANSISTOR | | |
| Q101 | 2SB1424/R/-W | TRANSISTOR | | |
| Q102 | 2SC4617/R/-X | TRANSISTOR | | |
| Q103 | 2SB1424/R/-W | TRANSISTOR | | |
| Q104 | 2SC4617/R/-X | TRANSISTOR | | |
| Q105 | 2SC4617/R/-X | TRANSISTOR | | |
| Q106 | 2SK3546J-X | MOS FET | | |
| Q107 | 2SK3546J-X | MOS FET | | |
| Q301 | RT1N441U-X | DIGI TRANSISTOR | | |
| Q302 | RT1N441U-X | DIGI TRANSISTOR | | |

| △ Symbol No. | Part No. | Part Name | Description | Local | △ Symbol No. | Part No. | Part Name | Description | Local |
|--------------|--------------|----------------|---------------|-------|--------------|--------------|----------------|---------------|-------|
| C2 | NCB31CK-104X | C CAPACITOR | 0.1uF 16V K | | C134 | NCB31CK-104X | C CAPACITOR | 0.1uF 16V K | |
| C3 | NCB31CK-104X | C CAPACITOR | 0.1uF 16V K | | C135 | NCB31CK-104X | C CAPACITOR | 0.1uF 16V K | |
| C4 | NCB31CK-104X | C CAPACITOR | 0.1uF 16V K | | C136 | NCB31CK-104X | C CAPACITOR | 0.1uF 16V K | |
| C5 | NCB31CK-104X | C CAPACITOR | 0.1uF 16V K | | C137 | NBE20JM-226X | TA E CAPACITOR | 22uF 6.3V M | |
| C6 | NCB31CK-104X | C CAPACITOR | 0.1uF 16V K | | C139 | NBE20JM-226X | TA E CAPACITOR | 22uF 6.3V M | |
| C7 | NCB31CK-104X | C CAPACITOR | 0.1uF 16V K | | C142 | NDC31HJ-471X | C CAPACITOR | 470pF 50V J | |
| C8 | NCB31CK-104X | C CAPACITOR | 0.1uF 16V K | | C143 | NBE41AM-476X | TA E CAPACITOR | 47uF 10V M | |
| C9 | NCB31CK-104X | C CAPACITOR | 0.1uF 16V K | | C145 | NBE41AM-476X | TA E CAPACITOR | 47uF 10V M | |
| C11 | NCB31CK-104X | C CAPACITOR | 0.1uF 16V K | | C148 | NCB31HK-331X | C CAPACITOR | 330pF 50V K | |
| C12 | NCB31CK-104X | C CAPACITOR | 0.1uF 16V K | | C149 | NDC31HJ-471X | C CAPACITOR | 470pF 50V J | |
| C13 | NCB31CK-104X | C CAPACITOR | 0.1uF 16V K | | C151 | NCB31CK-473X | C CAPACITOR | 0.047uF 16V K | |
| C14 | NCB31CK-104X | C CAPACITOR | 0.1uF 16V K | | C155 | NDC31HJ-101X | C CAPACITOR | 100pF 50V J | |
| C15 | NCB31CK-104X | C CAPACITOR | 0.1uF 16V K | | C156 | NCB31CK-104X | C CAPACITOR | 0.1uF 16V K | |
| C16 | NCB31CK-104X | C CAPACITOR | 0.1uF 16V K | | C161 | NDC31HJ-471X | C CAPACITOR | 470pF 50V J | |
| C17 | NCB31CK-104X | C CAPACITOR | 0.1uF 16V K | | C162 | NDC31HJ-471X | C CAPACITOR | 470pF 50V J | |
| C18 | NCB31CK-104X | C CAPACITOR | 0.1uF 16V K | | C164 | NCB21CK-105X | C CAPACITOR | 1uF 16V K | |
| C19 | NCB31CK-104X | C CAPACITOR | 0.1uF 16V K | | C167 | NDC31HJ-272X | C CAPACITOR | 2700pF 50V J | |
| C20 | NCB31CK-104X | C CAPACITOR | 0.1uF 16V K | | C170 | NCB31CK-104X | C CAPACITOR | 0.1uF 16V K | |
| C21 | NBE41AM-476X | TA E CAPACITOR | 47uF 10V M | | C173 | NCB31CK-104X | C CAPACITOR | 0.1uF 16V K | |
| C22 | NBE41AM-476X | TA E CAPACITOR | 47uF 10V M | | C174 | NCB31CK-104X | C CAPACITOR | 0.1uF 16V K | |
| C23 | NBE41AM-476X | TA E CAPACITOR | 47uF 10V M | | C175 | NBE61CM-107X | TA E CAPACITOR | 100uF 16V M | |
| C24 | NCB31CK-104X | C CAPACITOR | 0.1uF 16V K | | C176 | NCB31CK-104X | C CAPACITOR | 0.1uF 16V K | |
| C25 | NCB31CK-104X | C CAPACITOR | 0.1uF 16V K | | C177 | NCB31CK-104X | C CAPACITOR | 0.1uF 16V K | |
| C26 | NCB31CK-104X | C CAPACITOR | 0.1uF 16V K | | C178 | NCB31CK-104X | C CAPACITOR | 0.1uF 16V K | |
| C31 | NCB31HK-681X | C CAPACITOR | 680pF 50V K | | C197 | NCB31CK-104X | C CAPACITOR | 0.1uF 16V K | |
| C32 | NCB31HK-561X | C CAPACITOR | 560pF 50V K | | C199 | NCB31CK-104X | C CAPACITOR | 0.1uF 16V K | |
| C60 | NCB31HK-103X | C CAPACITOR | 0.01uF 50V K | | C200 | NBE40JM-476X | TA E CAPACITOR | 47uF 6.3V M | |
| C63 | NBE40JM-476X | TA E CAPACITOR | 47uF 6.3V M | | C201 | NCB31CK-104X | C CAPACITOR | 0.1uF 16V K | |
| C65 | NCB31CK-104X | C CAPACITOR | 0.1uF 16V K | | C205 | NCB21AK-225X | C CAPACITOR | 2.2uF 10V K | |
| C66 | NCB31CK-104X | C CAPACITOR | 0.1uF 16V K | | C206 | NDC31HJ-222X | C CAPACITOR | 2200pF 50V J | |
| C67 | NCB31HK-103X | C CAPACITOR | 0.01uF 50V K | | C211 | NCB31CK-104X | C CAPACITOR | 0.1uF 16V K | |
| C68 | NCB31CK-104X | C CAPACITOR | 0.1uF 16V K | | C215 | NDC31HJ-181X | C CAPACITOR | 180pF 50V J | |
| C69 | NCB21CK-105X | C CAPACITOR | 1uF 16V K | | C216 | NCB31CK-104X | C CAPACITOR | 0.1uF 16V K | |
| C70 | NCB31CK-104X | C CAPACITOR | 0.1uF 16V K | | C218 | NCB31CK-104X | C CAPACITOR | 0.1uF 16V K | |
| C71 | NCB31CK-104X | C CAPACITOR | 0.1uF 16V K | | C219 | NCB31CK-223X | C CAPACITOR | 0.022uF 16V K | |
| C72 | NCB31CK-105X | C CAPACITOR | 1uF 16V K | | C220 | NCB31HK-102X | C CAPACITOR | 1000pF 50V K | |
| C73 | NCB31CK-104X | C CAPACITOR | 0.1uF 16V K | | C222 | NCB31CK-104X | C CAPACITOR | 0.1uF 16V K | |
| C74 | NCB31CK-104X | C CAPACITOR | 0.1uF 16V K | | C223 | NCB31HK-102X | C CAPACITOR | 1000pF 50V K | |
| C75 | NCB31CK-104X | C CAPACITOR | 0.1uF 16V K | | C224 | NCB21AK-225X | C CAPACITOR | 2.2uF 10V K | |
| C76 | NCB31CK-104X | C CAPACITOR | 0.1uF 16V K | | C225 | NBE61CM-107X | TA E CAPACITOR | 100uF 16V M | |
| C77 | NCB31CK-104X | C CAPACITOR | 0.1uF 16V K | | C228 | NCB31HK-102X | C CAPACITOR | 1000pF 50V K | |
| C78 | NCB31CK-104X | C CAPACITOR | 0.1uF 16V K | | C229 | NCB31CK-223X | C CAPACITOR | 0.022uF 16V K | |
| C79 | NCB31CK-104X | C CAPACITOR | 0.1uF 16V K | | C232 | NBE61CM-107X | TA E CAPACITOR | 100uF 16V M | |
| C80 | NCB21CK-105X | C CAPACITOR | 1uF 16V K | | C233 | NCB21CK-105X | C CAPACITOR | 1uF 16V K | |
| C81 | NDC31HJ-120X | C CAPACITOR | 12pF 50V J | | C235 | NCB31HK-102X | C CAPACITOR | 1000pF 50V K | |
| C82 | NDC31HJ-150X | C CAPACITOR | 15pF 50V J | | C237 | NDC31HJ-221X | C CAPACITOR | 220pF 50V J | |
| C83 | NCB31CK-104X | C CAPACITOR | 0.1uF 16V K | | C238 | NCB31CK-104X | C CAPACITOR | 0.1uF 16V K | |
| C84 | NCB31CK-333X | C CAPACITOR | 0.033uF 16V K | | C240 | NCB31CK-104X | C CAPACITOR | 0.1uF 16V K | |
| C85 | NCB31CK-104X | C CAPACITOR | 0.1uF 16V K | | C241 | NCB31CK-104X | C CAPACITOR | 0.1uF 16V K | |
| C86 | NCB31CK-104X | C CAPACITOR | 0.1uF 16V K | | R21 | NRSA63J-0R0X | MG RESISTOR | 0Ω 1/10W J | |
| C87 | NCB31CK-104X | C CAPACITOR | 0.1uF 16V K | | R22 | NRSA63J-0R0X | MG RESISTOR | 0Ω 1/10W J | |
| C88 | NCB31CK-104X | C CAPACITOR | 0.1uF 16V K | | R25 | NRSA63J-0R0X | MG RESISTOR | 0Ω 1/10W J | |
| C89 | NCB31HK-183X | C CAPACITOR | 0.018uF 50V K | | R31 | NRSA63J-0R0X | MG RESISTOR | 0Ω 1/10W J | |
| C90 | NCB31HK-562X | C CAPACITOR | 5600pF 50V K | | R34 | NRSA63J-0R0X | MG RESISTOR | 0Ω 1/10W J | |
| C91 | NCB31CK-104X | C CAPACITOR | 0.1uF 16V K | | R46 | NRSA6AD-103W | MG RESISTOR | 10kΩ 1/16W D | |
| C92 | NCB21CK-105X | C CAPACITOR | 1uF 16V K | | R47 | NRSA6AD-103W | MG RESISTOR | 10kΩ 1/16W D | |
| C93 | NCB21CK-105X | C CAPACITOR | 1uF 16V K | | R49 | NRSA63J-0R0X | MG RESISTOR | 0Ω 1/10W J | |
| C99 | NCB31CK-104X | C CAPACITOR | 0.1uF 16V K | | R52 | NRSA6AD-103W | MG RESISTOR | 10kΩ 1/16W D | |
| C100 | NCB31CK-684X | C CAPACITOR | 0.68uF 16V K | | R54 | NRSA6AD-910W | MG RESISTOR | 91Ω 1/16W D | |
| C101 | NCB31CK-104X | C CAPACITOR | 0.1uF 16V K | | R55 | NRSA6AD-910W | MG RESISTOR | 91Ω 1/16W D | |
| C102 | NCB31CK-684X | C CAPACITOR | 0.68uF 16V K | | R56 | NRSA63D-432X | MG RESISTOR | 4.3kΩ 1/16W D | |
| C106 | NCB31CK-104X | C CAPACITOR | 0.1uF 16V K | | R57 | NRSA63D-242X | MG RESISTOR | 2.4kΩ 1/16W D | |
| C109 | NCB21CK-105X | C CAPACITOR | 1uF 16V K | | R58 | NRS125J-390X | MG RESISTOR | 39Ω 1/2W J | |
| C113 | NCB21CK-105X | C CAPACITOR | 1uF 16V K | | R59 | NRSA63J-2R2X | MG RESISTOR | 2.2Ω 1/16W J | |
| C117 | NCB21CK-105X | C CAPACITOR | 1uF 16V K | | R60 | NRSA6AD-102W | MG RESISTOR | 1kΩ 1/16W D | |
| C118 | NCB31HK-103X | C CAPACITOR | 0.01uF 50V K | | R61 | NRSA6AD-471W | MG RESISTOR | 470Ω 1/16W D | |
| C121 | NCB31CK-104X | C CAPACITOR | 0.1uF 16V K | | R62 | NRSA6AD-471W | MG RESISTOR | 470Ω 1/16W D | |
| C122 | NCB31CK-104X | C CAPACITOR | 0.1uF 16V K | | R64 | NRSA63D-432X | MG RESISTOR | 4.3kΩ 1/16W D | |
| C125 | NCB31CK-104X | C CAPACITOR | 0.1uF 16V K | | R65 | NRSA63D-242X | MG RESISTOR | 2.4kΩ 1/16W D | |
| C126 | NCB31CK-104X | C CAPACITOR | 0.1uF 16V K | | R66 | NRS125J-120X | MG RESISTOR | 12Ω 1/2W J | |
| C127 | NCB31CK-104X | C CAPACITOR | 0.1uF 16V K | | R67 | NRSA63J-2R2X | MG RESISTOR | 2.2Ω 1/16W J | |
| C128 | NCB31CK-104X | C CAPACITOR | 0.1uF 16V K | | R68 | NRSA6AD-102W | MG RESISTOR | 1kΩ 1/16W D | |
| C129 | NCB31CK-104X | C CAPACITOR | 0.1uF 16V K | | R69 | NRSA63J-471X | MG RESISTOR | 470Ω 1/16W J | |
| C130 | NCB31CK-104X | C CAPACITOR | 0.1uF 16V K | | R70 | NRSA6AD-331W | MG RESISTOR | 330Ω 1/16W D | |
| C131 | NCB31CK-104X | C CAPACITOR | 0.1uF 16V K | | R77 | NRSA02J-0R0X | MG RESISTOR | 0Ω 1/10W J | |
| C132 | NCB31CK-104X | C CAPACITOR | 0.1uF 16V K | | R79 | NRSA6AD-104W | MG RESISTOR | 100kΩ 1/16W D | |
| C133 | NCB31CK-104X | C CAPACITOR | 0.1uF 16V K | | R92 | NRSA63J-473X | MG RESISTOR | 47kΩ 1/16W J | |

| △ Symbol No. | Part No. | Part Name | Description | Local | △ Symbol No. | Part No. | Part Name | Description | Local |
|--------------|--------------|---------------|---------------|-------|--------------|---------------|---------------|----------------|-------|
| R93 | NRSA63J-203X | MG RESISTOR | 20kΩ 1/16W J | | R324 | NRSA63D-682X | MG RESISTOR | 6.8kΩ 1/16W D | |
| R94 | NRSA63J-223X | MG RESISTOR | 22kΩ 1/16W J | | R325 | NRSA63D-753X | MG RESISTOR | 75kΩ 1/16W D | |
| R99 | NRSA63J-0R0X | MG RESISTOR | 0Ω 1/10W J | | R329 | NRS125J-R47X | MG RESISTOR | 0.47Ω 1/2W J | |
| R100 | NRSA6AD-103W | MG RESISTOR | 10kΩ 1/16W D | | R330 | NRSA63J-0R0X | MG RESISTOR | 0Ω 1/10W J | |
| R101 | NRSA63J-0R0X | MG RESISTOR | 0Ω 1/10W J | | R352 | NRSA6AD-102W | MG RESISTOR | 1kΩ 1/16W D | |
| R104 | NRSA63J-0R0X | MG RESISTOR | 0Ω 1/10W J | | R357 | NRS125J-R22X | MG RESISTOR | 0.22Ω 1/2W J | |
| R107 | NRSA63J-152X | MG RESISTOR | 1.5kΩ 1/16W J | | R358 | NRSA63J-0R0X | MG RESISTOR | 0Ω 1/10W J | |
| R109 | NRSA63J-0R0X | MG RESISTOR | 0Ω 1/10W J | | R359 | NRSA6AD-243W | MG RESISTOR | 24kΩ 1/16W D | |
| R112 | NRSA63J-223X | MG RESISTOR | 22kΩ 1/16W J | | R362 | NRSA63J-103X | MG RESISTOR | 10kΩ 1/16W J | |
| R117 | NRSA6AD-103W | MG RESISTOR | 10kΩ 1/16W D | | R364 | NRSA63J-391X | MG RESISTOR | 390Ω 1/16W J | |
| R120 | NRSA63J-152X | MG RESISTOR | 1.5kΩ 1/16W J | | R365 | NRSA6AD-103W | MG RESISTOR | 10kΩ 1/16W D | |
| R122 | NRSA6AD-103W | MG RESISTOR | 10kΩ 1/16W D | | R366 | NRS125J-R22X | MG RESISTOR | 0.22Ω 1/2W J | |
| R125 | NRSA63J-120X | MG RESISTOR | 12Ω 1/16W J | | R367 | NRSA6AD-104W | MG RESISTOR | 100kΩ 1/16W D | |
| R126 | NRSA63J-102X | MG RESISTOR | 1kΩ 1/16W J | | R369 | NRS125J-R22X | MG RESISTOR | 0.22Ω 1/2W J | |
| R128 | NRSA6AD-270W | MG RESISTOR | 27Ω 1/16W D | | R371 | NRSA63J-0R0X | MG RESISTOR | 0Ω 1/10W J | |
| R129 | NRSA6AD-103W | MG RESISTOR | 10kΩ 1/16W D | | R375 | NRSA6AD-152W | MG RESISTOR | 1.5kΩ 1/16W D | |
| R131 | NRSA6AD-102W | MG RESISTOR | 1kΩ 1/16W D | | R376 | NRSA6AD-822W | MG RESISTOR | 8.2kΩ 1/16W D | |
| R132 | NRSA6AD-102W | MG RESISTOR | 1kΩ 1/16W D | | R379 | NRSA63D-332X | MG RESISTOR | 3.3kΩ 1/16W D | |
| R133 | NRSA6AD-223W | MG RESISTOR | 22kΩ 1/16W D | | R380 | NRSA63J-223X | MG RESISTOR | 22kΩ 1/16W J | |
| R135 | NRSA63J-102X | MG RESISTOR | 1kΩ 1/16W J | | R382 | NRSA6AD-102W | MG RESISTOR | 1kΩ 1/16W D | |
| R137 | NRSA63J-0R0X | MG RESISTOR | 0Ω 1/10W J | | R383 | NRSA63J-223X | MG RESISTOR | 22kΩ 1/16W J | |
| R139 | NRSA63J-0R0X | MG RESISTOR | 0Ω 1/10W J | | R384 | NRSA6AD-104W | MG RESISTOR | 100kΩ 1/16W D | |
| R141 | NRSA63D-332X | MG RESISTOR | 3.3kΩ 1/16W D | | R386 | NRSA6AD-184W | MG RESISTOR | 180kΩ 1/16W D | |
| R142 | NRSA63J-0R0X | MG RESISTOR | 0Ω 1/10W J | | R387 | NRSA63D-473X | MG RESISTOR | 47kΩ 1/16W D | |
| R143 | NRSA6AD-101W | MG RESISTOR | 100Ω 1/16W D | | R391 | NRSA6AD-822W | MG RESISTOR | 8.2kΩ 1/16W D | |
| R144 | NRSA6AD-103W | MG RESISTOR | 10kΩ 1/16W D | | R392 | NRSA63J-103X | MG RESISTOR | 10kΩ 1/16W J | |
| R145 | NRSA6AD-103W | MG RESISTOR | 10kΩ 1/16W D | | R393 | NRSA6AD-103W | MG RESISTOR | 10kΩ 1/16W D | |
| R147 | NRSA63J-104X | MG RESISTOR | 100kΩ 1/16W J | | R394 | NRSA63J-273X | MG RESISTOR | 27kΩ 1/16W J | |
| R152 | NRSA63J-0R0X | MG RESISTOR | 0Ω 1/10W J | | R397 | NRSA6AD-101W | MG RESISTOR | 100Ω 1/16W D | |
| R153 | NRSA63D-162X | MG RESISTOR | 1.6kΩ 1/16W D | | R400 | NRSA6AD-153W | MG RESISTOR | 15kΩ 1/16W D | |
| R155 | NRSA63J-0R0X | MG RESISTOR | 0Ω 1/10W J | | R402 | NRSA6AD-473W | MG RESISTOR | 47kΩ 1/16W D | |
| R156 | NRSA63J-0R0X | MG RESISTOR | 0Ω 1/10W J | | R403 | NRSA63J-101X | MG RESISTOR | 100Ω 1/16W J | |
| R160 | NRSA63D-303X | MG RESISTOR | 30kΩ 1/16W D | | R406 | NRS125J-R22X | MG RESISTOR | 0.22Ω 1/2W J | |
| R163 | NRSA6AD-103W | MG RESISTOR | 10kΩ 1/16W D | | R417 | NRSA63J-183X | MG RESISTOR | 18kΩ 1/16W J | |
| R164 | NRSA63J-181X | MG RESISTOR | 180Ω 1/16W J | | R419 | NRSA63D-104X | MG RESISTOR | 100kΩ 1/16W D | |
| R165 | NRSA6AD-473W | MG RESISTOR | 47kΩ 1/16W D | | R420 | NRSA6AD-184W | MG RESISTOR | 180kΩ 1/16W D | |
| R166 | NRSA6AD-473W | MG RESISTOR | 47kΩ 1/16W D | | L302 | NQLA3GK-100X | COIL | 10uH K | |
| R167 | NRSA6AD-473W | MG RESISTOR | 47kΩ 1/16W D | | L303 | NQLA3GK-100X | COIL | 10uH K | |
| R168 | NRSA6AD-473W | MG RESISTOR | 47kΩ 1/16W D | | | | | | |
| R170 | NRSA6AD-471W | MG RESISTOR | 470Ω 1/16W D | | | | | | |
| R171 | NRSA63J-105X | MG RESISTOR | 1MΩ 1/16W J | | CN1 | QGF0523F3-20W | CONNECTOR | FFC/FPC (1-20) | |
| R172 | NRSA6AD-101W | MG RESISTOR | 100Ω 1/16W D | | CN2 | QGA1002F1-03X | CONNECTOR | W-B (1-3) | |
| R173 | NRSA6AD-101W | MG RESISTOR | 100Ω 1/16W D | | CN101 | QGF0522F2-26W | CONNECTOR | FFC/FPC (1-26) | |
| R174 | NRSA6AD-101W | MG RESISTOR | 100Ω 1/16W D | | CN403 | QGF0534F3-50X | CONNECTOR | FFC/FPC (1-50) | |
| R177 | NRSA63J-0R0X | MG RESISTOR | 0Ω 1/10W J | | K101 | NQR0007-002X | FERRITE BEADS | | |
| R178 | NRSA63J-0R0X | MG RESISTOR | 0Ω 1/10W J | | K102 | NQR0007-002X | FERRITE BEADS | | |
| R181 | NQR0129-002X | FERRITE BEADS | | | K103 | NQR0502-001X | FERRITE BEADS | | |
| R183 | NRSA63J-0R0X | MG RESISTOR | 0Ω 1/10W J | | K108 | NQR0129-002X | FERRITE BEADS | | |
| R184 | NRSA63J-0R0X | MG RESISTOR | 0Ω 1/10W J | | K113 | NQR0502-001X | FERRITE BEADS | | |
| R189 | NRSA6AD-331W | MG RESISTOR | 330Ω 1/16W D | | K114 | NRSA63J-0R0X | MG RESISTOR | 0Ω 1/10W J | |
| R190 | NRSA6AD-331W | MG RESISTOR | 330Ω 1/16W D | | K115 | NRSA63J-0R0X | MG RESISTOR | 0Ω 1/10W J | |
| R195 | NRSA6AD-103W | MG RESISTOR | 10kΩ 1/16W D | | K117 | NRSA63J-0R0X | MG RESISTOR | 0Ω 1/10W J | |
| R201 | NRSA63J-102X | MG RESISTOR | 1kΩ 1/16W J | | K118 | NRSA63J-0R0X | MG RESISTOR | 0Ω 1/10W J | |
| R205 | NRSA6AD-103W | MG RESISTOR | 10kΩ 1/16W D | | K119 | NRSA63J-0R0X | MG RESISTOR | 0Ω 1/10W J | |
| R211 | NRSA6AD-473W | MG RESISTOR | 47kΩ 1/16W D | | K120 | NRSA63J-0R0X | MG RESISTOR | 0Ω 1/10W J | |
| R213 | NRSA63J-100X | MG RESISTOR | 10Ω 1/16W J | | K121 | NQL093K-1R8X | P COIL | 1.8uH K | |
| R214 | NRSA63J-0R0X | MG RESISTOR | 0Ω 1/10W J | | K131 | NQR0022-005X | FERRITE BEADS | | |
| R215 | NRSA63D-122X | MG RESISTOR | 1.2kΩ 1/16W D | | K132 | NQR0022-005X | FERRITE BEADS | | |
| R216 | NRSA63D-122X | MG RESISTOR | 1.2kΩ 1/16W D | | K133 | NQR0022-005X | FERRITE BEADS | | |
| R217 | NRSA6AD-100W | MG RESISTOR | 10Ω 1/16W D | | K135 | NRSA63J-0R0X | MG RESISTOR | 0Ω 1/10W J | |
| R218 | NRSA63J-0R0X | MG RESISTOR | 0Ω 1/10W J | | K136 | NRSA63J-0R0X | MG RESISTOR | 0Ω 1/10W J | |
| R220 | NRSA63J-0R0X | MG RESISTOR | 0Ω 1/10W J | | K137 | NRSA63J-0R0X | MG RESISTOR | 0Ω 1/10W J | |
| R223 | NRSA63J-4R7X | MG RESISTOR | 4.7Ω 1/16W J | | K141 | NRSA63J-0R0X | MG RESISTOR | 0Ω 1/10W J | |
| R226 | NRSA6AD-473W | MG RESISTOR | 47kΩ 1/16W D | | K142 | NRSA63J-0R0X | MG RESISTOR | 0Ω 1/10W J | |
| R227 | NRSA63J-222X | MG RESISTOR | 2.2kΩ 1/16W J | | S1 | NSW0313-001X | DETECT SWITCH | | |
| R228 | NRSA63J-103X | MG RESISTOR | 10kΩ 1/16W J | | TH491 | NAD0025-103X | N THERMISTOR | 10kΩ | |
| R229 | NRSA63J-0R0X | MG RESISTOR | 0Ω 1/10W J | | X351 | NAX0741-001X | CRYSTAL | 27.000MHz | |
| R233 | NRSA6AD-103W | MG RESISTOR | 10kΩ 1/16W D | | | | | | |
| R264 | NRSA63J-0R0X | MG RESISTOR | 0Ω 1/10W J | | | | | | |
| R265 | NRSA6AD-103W | MG RESISTOR | 10kΩ 1/16W D | | | | | | |
| R267 | NRSA63D-472X | MG RESISTOR | 4.7kΩ 1/16W D | | | | | | |
| R268 | NRSA63J-0R0X | MG RESISTOR | 0Ω 1/10W J | | | | | | |
| R309 | NRS125J-R47X | MG RESISTOR | 0.47Ω 1/2W J | | | | | | |
| R310 | NRSA6AD-333W | MG RESISTOR | 33kΩ 1/16W D | | | | | | |
| R311 | NRSA63J-391X | MG RESISTOR | 390Ω 1/16W J | | | | | | |
| R318 | NRSA63J-203X | MG RESISTOR | 20kΩ 1/16W J | | | | | | |
| R319 | NRSA6AD-622W | MG RESISTOR | 6.2kΩ 1/16W D | | | | | | |
| R323 | NRSA6AD-391W | MG RESISTOR | 390Ω 1/16W D | | | | | | |

Main board

Block No. [0][6]

| Symbol No. | Part No. | Part Name | Description | Local |
|------------|-----------------|-----------------|-------------|-------|
| IC201 | JVM4224 | IC(MCU) | | |
| IC202 | S-80828CNNB-G-W | IC | | |
| IC203 | M24C32-RMN6-X | IC(EEPROM) | | |
| IC204 | NJM2871BF33-X | IC | | |
| IC205 | TC74LVX4053FT-X | IC(DIGITAL) | | B |
| IC211 | TEF6606T/V3-X | IC1 | | |
| IC212 | LC72725KM-X | IC | | B |
| IC221 | TEF6606T/V3-X | IC1 | | B |
| IC222 | LC72725KM-X | IC | | B |
| IC231 | TC74HCT4053AFTX | IC | | A |
| IC232 | TDA7416 | IC | | |
| IC233 | TB2926CHQ | IC | | |
| IC241 | BA00CC0WFP-X | IC | | |
| IC242 | NJM2871BF33-X | IC | | |
| IC251 | RSQ030P03-W | MOS FET | | |
| IC261 | NJM2871BF05-X | IC | | B |
| IC291 | R2S25400DS-E | IC | | |
| IC484 | NAL0066-001X | GYRO SENSOR | | B |
| Q2001 | RT1N441C-X | TRANSISTOR | | |
| Q2001 | or UN2213-X | DIGI TRANSISTOR | | |
| Q2201 | 3SK195-W | TRANSISTOR | | B |
| Q2301 | RT1N141C-X | DIGI TRANSISTOR | | |
| Q2302 | 2SC1623A/5-6/-X | TRANSISTOR | | |
| Q2303 | 2SD2114K/VW/-X | TRANSISTOR | | |
| Q2304 | 2SD2114K/VW/-X | TRANSISTOR | | |
| Q2305 | 2SD2114K/VW/-X | TRANSISTOR | | |
| Q2306 | 2SD2114K/VW/-X | TRANSISTOR | | |
| Q2307 | 2SD2114K/VW/-X | TRANSISTOR | | |
| Q2308 | RT1N441C-X | TRANSISTOR | | |
| Q2501 | RT1N441C-X | TRANSISTOR | | |
| Q2501 | or UN2213-X | DIGI TRANSISTOR | | |
| Q2502 | RT1N141C-X | DIGI TRANSISTOR | | |
| Q2503 | RT1P141C-X | DIGI TRANSISTOR | | |
| Q2504 | RT1N141C-X | DIGI TRANSISTOR | | |
| Q2505 | RT1N441C-X | TRANSISTOR | | |
| Q2505 | or UN2213-X | DIGI TRANSISTOR | | |
| Q2506 | RT1N441C-X | TRANSISTOR | | |
| Q2506 | or UN2213-X | DIGI TRANSISTOR | | |
| Q2507 | 2SA812A/5-6/-X | TRANSISTOR | | |
| Q2508 | 2SA812A/5-6/-X | TRANSISTOR | | |
| Q2509 | 2SA812A/5-6/-X | TRANSISTOR | | |
| Q2510 | 2SC1623A/5-6/-X | TRANSISTOR | | |
| Q2511 | RT1N141C-X | DIGI TRANSISTOR | | |
| Q2512 | RT1N141C-X | DIGI TRANSISTOR | | |
| Q2513 | RT1N141C-X | DIGI TRANSISTOR | | |
| Q2514 | RT1N141C-X | DIGI TRANSISTOR | | |
| Q2515 | 2SA812A/5-6/-X | TRANSISTOR | | |
| Q2516 | RT1N141C-X | DIGI TRANSISTOR | | |
| Q2901 | RT1N141C-X | DIGI TRANSISTOR | | |
| Q2902 | RT1P141C-X | DIGI TRANSISTOR | | |
| Q2903 | RT1N141C-X | DIGI TRANSISTOR | | A |
| Q2904 | RT1P141C-X | DIGI TRANSISTOR | | A |
| Q2905 | 2SA812A/5-6/-X | TRANSISTOR | | |
| D2103 | MA111-X | SI DIODE | | |
| D2201 | MA111-X | SI DIODE | | |
| D2202 | MA111-X | SI DIODE | | |
| D2301 | MC2836-X | DIODE | | |
| D2302 | MC2836-X | DIODE | | |
| D2401 | MA8062/M/-X | Z DIODE | | |
| D2402 | MA8062/M/-X | Z DIODE | | |
| D2501 | MA22D39-X | SB DIODE | | |
| D2503 | MA8110/L/-X | Z DIODE | | |
| D2504 | MA111-X | SI DIODE | | |
| D2505 | MC2836-X | DIODE | | |
| D2506 | MA111-X | SI DIODE | | |
| D2507 | MA111-X | SI DIODE | | |
| D2801 | MA111-X | SI DIODE | | |
| D2802 | MA22D39-X | SB DIODE | | |
| D2901 | 1N5401-04 | SI DIODE | | |
| D2902 | MA22D39-X | SB DIODE | | A |
| D2903 | MA22D39-X | SB DIODE | | A |
| D2904 | MA22D39-X | SB DIODE | | |

| Symbol No. | Part No. | Part Name | Description | Local |
|------------|----------------|--------------|--------------|-------|
| D2905 | MA22D39-X | SB DIODE | | |
| C2001 | NCB31CK-104X | C CAPACITOR | 0.1uF 16V K | |
| C2002 | NCB31HK-103X | C CAPACITOR | 0.01uF 50V K | |
| C2003 | NCB31CK-104X | C CAPACITOR | 0.1uF 16V K | |
| C2101 | NDC31HJ-150X | C CAPACITOR | 15pF 50V J | |
| C2102 | NDC31HJ-220X | C CAPACITOR | 22pF 50V J | |
| C2103 | NCB31HK-102X | C CAPACITOR | 1000pF 50V K | A |
| C2103 | NCB31HK-104X | C CAPACITOR | 0.1uF 50V K | B |
| C2104 | NDC31HJ-7R0X | C CAPACITOR | 7pF 50V J | |
| C2105 | NDC31HJ-6R0X | C CAPACITOR | 6pF 50V J | |
| C2106 | NDC31HJ-2R0X | C CAPACITOR | 2pF 50V J | |
| C2107 | NCB31HK-104X | C CAPACITOR | 0.1uF 50V K | |
| C2108 | NCB31CK-224X | C CAPACITOR | 0.22uF 16V K | |
| C2109 | NCB31CK-105X | C CAPACITOR | 1uF 16V K | |
| C2110 | NCB31HK-103X | C CAPACITOR | 0.01uF 50V K | |
| C2111 | NCB31HK-103X | C CAPACITOR | 0.01uF 50V K | |
| C2112 | NCB31HK-104X | C CAPACITOR | 0.1uF 50V K | |
| C2113 | NCB31HK-103X | C CAPACITOR | 0.01uF 50V K | |
| C2114 | NCB31HK-103X | C CAPACITOR | 0.01uF 50V K | |
| C2115 | NCB31HK-104X | C CAPACITOR | 0.1uF 50V K | |
| C2116 | NCB31CK-105X | C CAPACITOR | 1uF 16V K | |
| C2117 | NCB31HK-104X | C CAPACITOR | 0.1uF 50V K | |
| C2118 | QETN1HM-106Z | E CAPACITOR | 10uF 50V M | |
| C2119 | NCB31CK-224X | C CAPACITOR | 0.22uF 16V K | |
| C2120 | NCB31CK-105X | C CAPACITOR | 1uF 16V K | |
| C2121 | NCB31CK-105X | C CAPACITOR | 1uF 16V K | |
| C2122 | NCB31CK-224X | C CAPACITOR | 0.22uF 16V K | |
| C2123 | NCB31HK-104X | C CAPACITOR | 0.1uF 50V K | |
| C2124 | NDC31HJ-150X | C CAPACITOR | 15pF 50V J | |
| C2125 | NCB31CK-224X | C CAPACITOR | 0.22uF 16V K | B |
| C2126 | NDC31HJ-561X | C CAPACITOR | 560pF 50V J | B |
| C2127 | NCB31HK-103X | C CAPACITOR | 0.01uF 50V K | B |
| C2128 | NCJ11EK-106X-A | C CAPACITOR | 10uF 25V K | B |
| C2129 | NCB31HK-103X | C CAPACITOR | 0.01uF 50V K | B |
| C2130 | QETN1HM-226Z | E CAPACITOR | 22uF 50V M | B |
| C2131 | NDC31HJ-330X | C CAPACITOR | 33pF 50V J | B |
| C2132 | NDC31HJ-330X | C CAPACITOR | 33pF 50V J | B |
| C2133 | NCB31HK-102X | C CAPACITOR | 1000pF 50V K | B |
| C2136 | NDC31HJ-101X | C CAPACITOR | 100pF 50V J | |
| C2137 | NDC31HJ-101X | C CAPACITOR | 100pF 50V J | |
| C2138 | NDC31HJ-101X | C CAPACITOR | 100pF 50V J | |
| C2201 | NDC31HJ-330X | C CAPACITOR | 33pF 50V J | |
| C2202 | NDC31HJ-330X | C CAPACITOR | 33pF 50V J | |
| C2203 | NCB31HK-103X | C CAPACITOR | 0.01uF 50V K | B |
| C2204 | NDC31HJ-120X | C CAPACITOR | 12pF 50V J | B |
| C2205 | NDC31HJ-220X | C CAPACITOR | 22pF 50V J | B |
| C2206 | NCB31HK-103X | C CAPACITOR | 0.01uF 50V K | B |
| C2207 | NCB31HK-104X | C CAPACITOR | 0.1uF 50V K | B |
| C2208 | NCB31HK-103X | C CAPACITOR | 0.01uF 50V K | B |
| C2209 | NCB31HK-103X | C CAPACITOR | 0.01uF 50V K | B |
| C2210 | NCB31HK-104X | C CAPACITOR | 0.1uF 50V K | B |
| C2211 | NCB31CK-105X | C CAPACITOR | 1uF 16V K | B |
| C2212 | NCB31HK-104X | C CAPACITOR | 0.1uF 50V K | B |
| C2213 | QETN1HM-106Z | E CAPACITOR | 10uF 50V M | B |
| C2214 | NCB31CK-224X | C CAPACITOR | 0.22uF 16V K | B |
| C2215 | NCB31HK-104X | C CAPACITOR | 0.1uF 50V K | B |
| C2216 | NDC31HJ-150X | C CAPACITOR | 15pF 50V J | B |
| C2217 | NCB31CK-224X | C CAPACITOR | 0.22uF 16V K | B |
| C2218 | NDC31HJ-561X | C CAPACITOR | 560pF 50V J | B |
| C2219 | NCB31HK-103X | C CAPACITOR | 0.01uF 50V K | B |
| C2220 | NCJ11EK-106X-A | C CAPACITOR | 10uF 25V K | B |
| C2221 | NCB31HK-103X | C CAPACITOR | 0.01uF 50V K | B |
| C2225 | NCB31HK-102X | C CAPACITOR | 1000pF 50V K | B |
| C2229 | NDC31HJ-101X | C CAPACITOR | 100pF 50V J | |
| C2301 | NDC31HJ-101X | C CAPACITOR | 100pF 50V J | |
| C2302 | QETN1HM-226Z | E CAPACITOR | 22uF 50V M | |
| C2303 | NCB31CK-105X | C CAPACITOR | 1uF 16V K | A |
| C2304 | NCB31CK-105X | C CAPACITOR | 1uF 16V K | A |
| C2305 | QETN1CM-107Z | E CAPACITOR | 100uF 16V M | |
| C2309 | QETN1HM-226Z | E CAPACITOR | 22uF 50V M | |
| C2310 | QFV91HJ-474Z | MF CAPACITOR | 0.47uF 50V J | |
| C2311 | QFV91HJ-474Z | MF CAPACITOR | 0.47uF 50V J | |
| C2312 | NCB31CK-105X | C CAPACITOR | 1uF 16V K | |
| C2313 | NCB31CK-105X | C CAPACITOR | 1uF 16V K | |
| C2314 | NCB31CK-105X | C CAPACITOR | 1uF 16V K | |
| C2315 | NCB31CK-105X | C CAPACITOR | 1uF 16V K | |
| C2316 | NCB31CK-105X | C CAPACITOR | 1uF 16V K | |

| △ Symbol No. | Part No. | Part Name | Description | Local | △ Symbol No. | Part No. | Part Name | Description | Local |
|--------------|--------------|--------------|---------------|-------|--------------|--------------|-------------|---------------|-------|
| C2317 | QETN1CM-107Z | E CAPACITOR | 100uF 16V M | | C2503 | NCB11EK-105X | C CAPACITOR | 1uF 25V K | |
| C2320 | QFN31HJ-473Z | M CAPACITOR | 0.047uF 50V J | | C2504 | NCB31AK-105X | C CAPACITOR | 1uF 10V K | |
| C2321 | NCB31HK-563X | C CAPACITOR | 0.056uF 50V K | | C2505 | QETN1CM-107Z | E CAPACITOR | 100uF 16V M | |
| C2322 | NCB31HK-104X | C CAPACITOR | 0.1uF 50V K | | C2506 | QETN1CM-107Z | E CAPACITOR | 100uF 16V M | |
| C2323 | QFV91HJ-474Z | MF CAPACITOR | 0.47uF 50V J | | C2507 | QETN1HM-226Z | E CAPACITOR | 22uF 50V M | |
| C2324 | QFV91HJ-474Z | MF CAPACITOR | 0.47uF 50V J | | C2508 | NCB31CK-105X | C CAPACITOR | 1uF 16V K | |
| C2325 | QFV91HJ-474Z | MF CAPACITOR | 0.47uF 50V J | | C2509 | NDC31HJ-101X | C CAPACITOR | 100pF 50V J | |
| C2326 | QFV91HJ-474Z | MF CAPACITOR | 0.47uF 50V J | | C2510 | NCB31CK-105X | C CAPACITOR | 1uF 16V K | |
| C2327 | NDC31HJ-470X | C CAPACITOR | 47pF 50V J | | C2511 | NCB31CK-105X | C CAPACITOR | 1uF 16V K | |
| C2328 | NDC31HJ-470X | C CAPACITOR | 47pF 50V J | | C2512 | NCB31CK-105X | C CAPACITOR | 1uF 16V K | |
| C2329 | NDC31HJ-470X | C CAPACITOR | 47pF 50V J | | C2601 | QETN1HM-106Z | E CAPACITOR | 10uF 50V M | B |
| C2330 | NDC31HJ-470X | C CAPACITOR | 47pF 50V J | | C2602 | QETN1CM-107Z | E CAPACITOR | 100uF 16V M | B |
| C2331 | QETN1HM-226Z | E CAPACITOR | 22uF 50V M | | C2603 | NCB31CK-105X | C CAPACITOR | 1uF 16V K | B |
| C2332 | NDC31HJ-471X | C CAPACITOR | 470pF 50V J | | C2604 | NCB31HK-103X | C CAPACITOR | 0.01uF 50V K | B |
| C2333 | QETN1EM-476Z | E CAPACITOR | 47uF 25V M | | C2801 | NCB31EK-473X | C CAPACITOR | 0.047uF 25V K | |
| C2334 | QEKJ1HM-225Z | E CAPACITOR | 2.2uF 50V M | | C2802 | QETN1EM-476Z | E CAPACITOR | 47uF 25V M | |
| C2335 | QETN1HM-106Z | E CAPACITOR | 10uF 50V M | | C2803 | NDC31HJ-220X | C CAPACITOR | 22pF 50V J | |
| C2336 | QFN31HJ-104Z | M CAPACITOR | 0.1uF 50V J | | C2804 | NDC31HJ-220X | C CAPACITOR | 22pF 50V J | |
| C2337 | NCB31HK-104X | C CAPACITOR | 0.1uF 50V K | | C2805 | NDC31HJ-120X | C CAPACITOR | 12pF 50V J | |
| C2338 | NDC31HJ-101X | C CAPACITOR | 100pF 50V J | | C2806 | NDC31HJ-100X | C CAPACITOR | 10pF 50V J | |
| C2339 | QEKJ1HM-225Z | E CAPACITOR | 2.2uF 50V M | | C2807 | NCB31CK-104X | C CAPACITOR | 0.1uF 16V K | |
| C2340 | NDC31HJ-101X | C CAPACITOR | 100pF 50V J | | C2808 | QETN1AM-227Z | E CAPACITOR | 220uF 10V M | |
| C2341 | NDC31HJ-101X | C CAPACITOR | 100pF 50V J | | C2809 | QETN1CM-107Z | E CAPACITOR | 100uF 16V M | |
| C2342 | NDC31HJ-101X | C CAPACITOR | 100pF 50V J | | C2810 | QETN0JM-108Z | E CAPACITOR | 1000uF 6.3V M | |
| C2343 | NDC31HJ-101X | C CAPACITOR | 100pF 50V J | | C2811 | QETN1AM-227Z | E CAPACITOR | 220uF 10V M | |
| C2344 | NDC31HJ-101X | C CAPACITOR | 100pF 50V J | | C2812 | NCB31CK-104X | C CAPACITOR | 0.1uF 16V K | |
| C2345 | NDC31HJ-101X | C CAPACITOR | 100pF 50V J | | C2813 | NCB31HK-103X | C CAPACITOR | 0.01uF 50V K | |
| C2346 | NDC31HJ-101X | C CAPACITOR | 100pF 50V J | | C2814 | NCB31CK-104X | C CAPACITOR | 0.1uF 16V K | B |
| C2347 | NDC31HJ-101X | C CAPACITOR | 100pF 50V J | | C2815 | NCB31EK-473X | C CAPACITOR | 0.047uF 25V K | |
| C2348 | QETN1HM-106Z | E CAPACITOR | 10uF 50V M | | C2816 | NCB31CK-104X | C CAPACITOR | 0.1uF 16V K | |
| C2349 | QEKJ1HM-475Z | E CAPACITOR | 4.7uF 50V M | | C2817 | NDC31HJ-222X | C CAPACITOR | 2200pF 50V J | B |
| C2350 | QEKJ1HM-475Z | E CAPACITOR | 4.7uF 50V M | | C2818 | NCB31CK-104X | C CAPACITOR | 0.1uF 16V K | |
| C2351 | QEKJ1HM-475Z | E CAPACITOR | 4.7uF 50V M | | C2819 | NCB31CK-104X | C CAPACITOR | 0.1uF 16V K | |
| C2352 | QEKJ1HM-475Z | E CAPACITOR | 4.7uF 50V M | | C2901 | QEZ0870-278 | E CAPACITOR | 2700uF | |
| C2353 | NDC31HJ-101X | C CAPACITOR | 100pF 50V J | | C2902 | QEKJ1HM-225Z | E CAPACITOR | 2.2uF 50V M | |
| C2354 | NDC31HJ-101X | C CAPACITOR | 100pF 50V J | | C2903 | QETN1EM-476Z | E CAPACITOR | 47uF 25V M | |
| C2355 | NDC31HJ-101X | C CAPACITOR | 100pF 50V J | | C2904 | QETN1HM-106Z | E CAPACITOR | 10uF 50V M | |
| C2356 | NDC31HJ-101X | C CAPACITOR | 100pF 50V J | | C2905 | QETN1EM-476Z | E CAPACITOR | 47uF 25V M | |
| C2357 | NCB31HK-223X | C CAPACITOR | 0.022uF 50V K | | C2906 | QETN1CM-107Z | E CAPACITOR | 100uF 16V M | |
| C2360 | NDC31HJ-470X | C CAPACITOR | 47pF 50V J | | C2907 | NCB31CK-104X | C CAPACITOR | 0.1uF 16V K | |
| C2362 | NDC31HJ-101X | C CAPACITOR | 100pF 50V J | | C2908 | NCB31CK-104X | C CAPACITOR | 0.1uF 16V K | |
| C2363 | NDC31HJ-101X | C CAPACITOR | 100pF 50V J | | C2909 | QETN1HM-106Z | E CAPACITOR | 10uF 50V M | |
| C2364 | NDC31HJ-101X | C CAPACITOR | 100pF 50V J | | C2910 | NCB31EK-104X | C CAPACITOR | 0.1uF 25V K | A |
| C2365 | NDC31HJ-470X | C CAPACITOR | 47pF 50V J | | C2911 | QETN1HM-106Z | E CAPACITOR | 10uF 50V M | |
| C2366 | NDC31HJ-470X | C CAPACITOR | 47pF 50V J | | C2912 | NCB31EK-104X | C CAPACITOR | 0.1uF 25V K | A |
| C2367 | NDC31HJ-470X | C CAPACITOR | 47pF 50V J | | C2913 | NCB31EK-104X | C CAPACITOR | 0.1uF 25V K | |
| C2368 | NDC31HJ-470X | C CAPACITOR | 47pF 50V J | | C2914 | QETN1CM-108Z | E CAPACITOR | 1000uF 16V M | |
| C2369 | NDC31HJ-470X | C CAPACITOR | 47pF 50V J | | C2921 | NDC31HJ-470X | C CAPACITOR | 47pF 50V J | |
| C2370 | NDC31HJ-470X | C CAPACITOR | 47pF 50V J | | C2923 | NDC31HJ-470X | C CAPACITOR | 47pF 50V J | |
| C2371 | NDC31HJ-470X | C CAPACITOR | 47pF 50V J | | C2925 | NDC31HJ-470X | C CAPACITOR | 47pF 50V J | |
| C2372 | NDC31HJ-470X | C CAPACITOR | 47pF 50V J | | C2928 | QEKJ1HM-225Z | E CAPACITOR | 2.2uF 50V M | |
| C2373 | NDC31HJ-470X | C CAPACITOR | 47pF 50V J | | C2931 | NDC31HJ-470X | C CAPACITOR | 47pF 50V J | |
| C2374 | NDC31HJ-470X | C CAPACITOR | 47pF 50V J | | C2933 | NDC31HJ-470X | C CAPACITOR | 47pF 50V J | |
| C2375 | NDC31HJ-470X | C CAPACITOR | 47pF 50V J | | C2934 | NDC31HJ-470X | C CAPACITOR | 47pF 50V J | |
| C2376 | NDC31HJ-470X | C CAPACITOR | 47pF 50V J | | C2937 | NDC31HJ-470X | C CAPACITOR | 47pF 50V J | |
| C2377 | NDC31HJ-101X | C CAPACITOR | 100pF 50V J | | C2938 | NDC31HJ-470X | C CAPACITOR | 47pF 50V J | |
| C2378 | NDC31HJ-101X | C CAPACITOR | 100pF 50V J | | C2941 | NDC31HJ-470X | C CAPACITOR | 47pF 50V J | |
| C2379 | NDC31HJ-101X | C CAPACITOR | 100pF 50V J | | C2943 | NDC31HJ-470X | C CAPACITOR | 47pF 50V J | |
| C2380 | NDC31HJ-101X | C CAPACITOR | 100pF 50V J | | C2945 | NDC31HJ-470X | C CAPACITOR | 47pF 50V J | |
| C2381 | NDC31HJ-101X | C CAPACITOR | 100pF 50V J | | C2947 | NDC31HJ-470X | C CAPACITOR | 47pF 50V J | |
| C2382 | NDC31HJ-101X | C CAPACITOR | 100pF 50V J | | C2949 | NDC31HJ-470X | C CAPACITOR | 47pF 50V J | |
| C2383 | NDC31HJ-101X | C CAPACITOR | 100pF 50V J | | C4841 | NCB31CK-104X | C CAPACITOR | 0.1uF 16V K | B |
| C2384 | NDC31HJ-101X | C CAPACITOR | 100pF 50V J | | C4842 | NDC31HJ-101X | C CAPACITOR | 100pF 50V J | B |
| C2385 | NDC31HJ-101X | C CAPACITOR | 100pF 50V J | | | | | | |
| C2386 | NDC31HJ-101X | C CAPACITOR | 100pF 50V J | | R2001 | NRSA63J-101X | MG RESISTOR | 100Ω 1/16W J | |
| C2387 | NDC31HJ-470X | C CAPACITOR | 47pF 50V J | | R2002 | NRSA63J-102X | MG RESISTOR | 1kΩ 1/16W J | |
| C2388 | NDC31HJ-470X | C CAPACITOR | 47pF 50V J | | R2003 | NRSA63J-102X | MG RESISTOR | 1kΩ 1/16W J | |
| C2389 | NDC31HJ-470X | C CAPACITOR | 47pF 50V J | | R2004 | NRSA63J-101X | MG RESISTOR | 100Ω 1/16W J | |
| C2390 | NDC31HJ-470X | C CAPACITOR | 47pF 50V J | | R2005 | NRSA63J-102X | MG RESISTOR | 1kΩ 1/16W J | |
| C2401 | NDC31HJ-471X | C CAPACITOR | 470pF 50V J | | R2006 | NRSA63J-101X | MG RESISTOR | 100Ω 1/16W J | |
| C2402 | QETN1EM-476Z | E CAPACITOR | 47uF 25V M | | R2007 | NRSA63J-472X | MG RESISTOR | 4.7kΩ 1/16W J | |
| C2403 | NDC31HJ-471X | C CAPACITOR | 470pF 50V J | | R2008 | NRSA63J-101X | MG RESISTOR | 100Ω 1/16W J | |
| C2404 | QETN1EM-476Z | E CAPACITOR | 47uF 25V M | | R2009 | NRSA63J-101X | MG RESISTOR | 100Ω 1/16W J | |
| C2405 | QETN1HM-106Z | E CAPACITOR | 10uF 50V M | | R2010 | NRSA63J-472X | MG RESISTOR | 4.7kΩ 1/16W J | |
| C2406 | NCB31HK-104X | C CAPACITOR | 0.1uF 50V K | | R2011 | NRSA63J-472X | MG RESISTOR | 4.7kΩ 1/16W J | |
| C2407 | NCB31CK-104X | C CAPACITOR | 0.1uF 16V K | | R2012 | NRSA63J-102X | MG RESISTOR | 1kΩ 1/16W J | |
| C2408 | NCB31HK-103X | C CAPACITOR | 0.01uF 50V K | | R2013 | NRSA63J-102X | MG RESISTOR | 1kΩ 1/16W J | |
| C2409 | NCB31CK-104X | C CAPACITOR | 0.1uF 16V K | | R2014 | NRSA63J-102X | MG RESISTOR | 1kΩ 1/16W J | |

| △ Symbol No. | Part No. | Part Name | Description | Local | △ Symbol No. | Part No. | Part Name | Description | Local |
|--------------|--------------|-------------|---------------|-------|--------------|----------------|----------------|---------------|-------|
| R2504 | NRSA63J-0R0X | MG RESISTOR | 0Ω 1/10W J | | R2818 | NRSA63J-472X | MG RESISTOR | 4.7kΩ 1/16W J | |
| R2505 | NRSA63J-332X | MG RESISTOR | 3.3kΩ 1/16W J | | R2819 | NRSA63J-103X | MG RESISTOR | 10kΩ 1/16W J | A |
| R2506 | NRSA63J-332X | MG RESISTOR | 3.3kΩ 1/16W J | | R2820 | NRSA63J-103X | MG RESISTOR | 10kΩ 1/16W J | A |
| R2507 | NRSA63J-473X | MG RESISTOR | 47kΩ 1/16W J | | R2821 | NRSA63J-103X | MG RESISTOR | 10kΩ 1/16W J | |
| R2508 | NRSA63J-273X | MG RESISTOR | 27kΩ 1/16W J | | R2822 | NRSA63J-104X | MG RESISTOR | 100kΩ 1/16W J | |
| R2509 | NRSA63J-103X | MG RESISTOR | 10kΩ 1/16W J | | R2823 | NRSA63J-273X | MG RESISTOR | 27kΩ 1/16W J | |
| R2510 | NRSA63J-224X | MG RESISTOR | 220kΩ 1/16W J | | R2824 | NRSA63J-473X | MG RESISTOR | 47kΩ 1/16W J | |
| R2511 | NRSA63J-224X | MG RESISTOR | 220kΩ 1/16W J | | R2825 | NRSA63J-103X | MG RESISTOR | 10kΩ 1/16W J | A |
| R2512 | NRSA63J-101X | MG RESISTOR | 100Ω 1/16W J | | R2826 | NRSA63J-103X | MG RESISTOR | 10kΩ 1/16W J | A |
| R2513 | NRSA63J-101X | MG RESISTOR | 100Ω 1/16W J | | R2827 | NRSA63J-103X | MG RESISTOR | 10kΩ 1/16W J | |
| R2514 | NRSA63J-101X | MG RESISTOR | 100Ω 1/16W J | | R2828 | NRSA63J-101X | MG RESISTOR | 100Ω 1/16W J | |
| R2515 | NRSA63J-101X | MG RESISTOR | 100Ω 1/16W J | | R2829 | NRSA63J-101X | MG RESISTOR | 100Ω 1/16W J | |
| R2516 | NRSA63J-101X | MG RESISTOR | 100Ω 1/16W J | | R2830 | NRSA63J-473X | MG RESISTOR | 47kΩ 1/16W J | |
| R2517 | NRSA63J-101X | MG RESISTOR | 100Ω 1/16W J | | R2831 | NRSA63J-472X | MG RESISTOR | 4.7kΩ 1/16W J | |
| R2518 | NRSA63J-101X | MG RESISTOR | 100Ω 1/16W J | | R2832 | NRSA63J-472X | MG RESISTOR | 4.7kΩ 1/16W J | |
| R2519 | NRSA63J-101X | MG RESISTOR | 100Ω 1/16W J | | R2833 | NRSA63J-472X | MG RESISTOR | 4.7kΩ 1/16W J | |
| R2520 | NRSA63J-101X | MG RESISTOR | 100Ω 1/16W J | | R2834 | NRSA63J-472X | MG RESISTOR | 4.7kΩ 1/16W J | |
| R2521 | NRSA63J-101X | MG RESISTOR | 100Ω 1/16W J | | R2835 | NRSA63J-822X | MG RESISTOR | 8.2kΩ 1/16W J | |
| R2522 | NRSA63J-101X | MG RESISTOR | 100Ω 1/16W J | | R2836 | NRSA63D-472X | MG RESISTOR | 4.7kΩ 1/16W D | |
| R2523 | NRSA63J-101X | MG RESISTOR | 100Ω 1/16W J | B | R2837 | NRSA63D-472X | MG RESISTOR | 4.7kΩ 1/16W D | |
| R2524 | NRSA63J-101X | MG RESISTOR | 100Ω 1/16W J | | R2838 | NRSA63D-472X | MG RESISTOR | 4.7kΩ 1/16W D | B |
| R2525 | NRSA63J-101X | MG RESISTOR | 100Ω 1/16W J | | R2839 | NRSA63D-243X | MG RESISTOR | 24kΩ 1/16W D | |
| R2526 | NRSA63J-101X | MG RESISTOR | 100Ω 1/16W J | | R2840 | NRSA63D-104X | MG RESISTOR | 100kΩ 1/16W D | |
| R2527 | NRSA63J-101X | MG RESISTOR | 100Ω 1/16W J | | R2843 | NRSA63J-472X | MG RESISTOR | 4.7kΩ 1/16W J | |
| R2528 | NRSA63J-101X | MG RESISTOR | 100Ω 1/16W J | | R2844 | NRSA63J-333X | MG RESISTOR | 33kΩ 1/16W J | A |
| R2529 | NRSA63J-101X | MG RESISTOR | 100Ω 1/16W J | | R2844 | NRSA63J-153X | MG RESISTOR | 15kΩ 1/16W J | B |
| R2530 | NRSA63J-101X | MG RESISTOR | 100Ω 1/16W J | | R2901 | NRSA63J-103X | MG RESISTOR | 10kΩ 1/16W J | |
| R2531 | NRSA63J-101X | MG RESISTOR | 100Ω 1/16W J | | R2902 | NRSA63J-472X | MG RESISTOR | 4.7kΩ 1/16W J | |
| R2532 | NRSA63J-101X | MG RESISTOR | 100Ω 1/16W J | | R2903 | NRSA63J-203X | MG RESISTOR | 20kΩ 1/16W J | |
| R2533 | NRSA63J-101X | MG RESISTOR | 100Ω 1/16W J | | R2904 | NRSA63J-473X | MG RESISTOR | 47kΩ 1/16W J | |
| R2534 | NRSA63J-101X | MG RESISTOR | 100Ω 1/16W J | | R2905 | NRSA63J-153X | MG RESISTOR | 15kΩ 1/16W J | |
| R2535 | NRSA63J-101X | MG RESISTOR | 100Ω 1/16W J | | R2906 | NRSA63J-473X | MG RESISTOR | 47kΩ 1/16W J | |
| R2536 | NRSA63J-101X | MG RESISTOR | 100Ω 1/16W J | | R2907 | NRS181J-472X | MG RESISTOR | 4.7kΩ 1/8W J | A |
| R2537 | NRSA63J-101X | MG RESISTOR | 100Ω 1/16W J | | R2909 | NRS181J-332X | MG RESISTOR | 3.3kΩ 1/8W J | |
| R2538 | NRSA63J-101X | MG RESISTOR | 100Ω 1/16W J | | L2101 | NQL093K-R22X | COIL | 0.22uH K | |
| R2539 | NRSA63J-101X | MG RESISTOR | 100Ω 1/16W J | | L2102 | NQL093K-4R7X | COIL | 4.7uH K | |
| R2540 | NRSA63J-101X | MG RESISTOR | 100Ω 1/16W J | | L2103 | NQL093K-R47X | COIL | 0.47uH K | |
| R2541 | NRSA63J-101X | MG RESISTOR | 100Ω 1/16W J | | L2104 | NQL093K-1R8X | COIL | 1.8uH K | |
| R2542 | NRSA63J-101X | MG RESISTOR | 100Ω 1/16W J | | L2105 | NQL093K-R47X | COIL | 0.47uH K | |
| R2543 | NRSA63J-103X | MG RESISTOR | 10kΩ 1/16W J | | L2106 | NQL114K-561X | P COIL | 560uH K | |
| R2544 | NRSA63J-103X | MG RESISTOR | 10kΩ 1/16W J | | L2107 | NQL114K-561X | P COIL | 560uH K | |
| R2545 | NRSA63J-103X | MG RESISTOR | 10kΩ 1/16W J | | L2201 | NQL093K-2R7X | COIL | 2.7uH K | B |
| R2546 | NRSA63J-103X | MG RESISTOR | 10kΩ 1/16W J | | L2202 | NQL093K-R22X | COIL | 0.22uH K | B |
| R2547 | NRSA63J-273X | MG RESISTOR | 27kΩ 1/16W J | | L2501 | NQL79GM-4R7X | COIL | 4.7uH M | |
| R2548 | NRSA63J-273X | MG RESISTOR | 27kΩ 1/16W J | | L2801 | NQL79GK-470X | COIL | 47uH K | |
| R2549 | NRSA63J-473X | MG RESISTOR | 47kΩ 1/16W J | | L2901 | QQR0703-001 | CHOKE COIL | | |
| R2550 | NRSA63J-103X | MG RESISTOR | 10kΩ 1/16W J | | L2902 | NQL79GK-101X | COIL | 100uH K | |
| R2551 | NRSA63J-104X | MG RESISTOR | 100kΩ 1/16W J | | T2101 | QQR1813-001 | COIL | | |
| R2552 | NRSA63J-473X | MG RESISTOR | 47kΩ 1/16W J | | T2201 | QQR1813-001 | COIL | | B |
| R2553 | NRSA63J-103X | MG RESISTOR | 10kΩ 1/16W J | | BK233 | LV43967-001A | IC BRACKET | | A |
| R2554 | NRSA63J-472X | MG RESISTOR | 4.7kΩ 1/16W J | | BK241 | LV38635-001A | GPS BKT | | A |
| R2555 | NRSA63J-473X | MG RESISTOR | 47kΩ 1/16W J | | BK291 | LV37825-004A | REG. IC BKT | | A |
| R2556 | NRSA63J-273X | MG RESISTOR | 27kΩ 1/16W J | | BZ251 | QAN0023-001Z | BUZZER | | |
| R2557 | NRSA63J-103X | MG RESISTOR | 10kΩ 1/16W J | | CN231 | QGA2501C1-02 | CONNECTOR | W-B (1-2) | |
| R2558 | NRSA63J-472X | MG RESISTOR | 4.7kΩ 1/16W J | | CN241 | QNZ0984-002 | CAR CONNECTOR | | |
| R2559 | NRSA63J-821X | MG RESISTOR | 820Ω 1/16W J | | CN251 | QGB1004K2-30W | CONNECTOR | B-B (1-30) | |
| R2560 | NRSA63J-182X | MG RESISTOR | 1.8kΩ 1/16W J | | CN252 | QGB0815K1-60X | CONNECTOR | B-B (1-60) | |
| R2561 | NRSA63J-101X | MG RESISTOR | 100Ω 1/16W J | | CN261 | QGA1217C2-03X | CONNECTOR | W-B (1-3) | B |
| R2562 | NRSA63J-101X | MG RESISTOR | 100Ω 1/16W J | | CN291 | QNZ0090-001 | CAR CONNECTOR | | |
| R2563 | NRSA63J-682X | MG RESISTOR | 6.8kΩ 1/16W J | | CN481 | QGA1217C2-03X | CONNECTOR | W-B (1-3) | B |
| R2564 | NRSA63J-682X | MG RESISTOR | 6.8kΩ 1/16W J | | EP201 | NNZ0165-001X | EARTH TERMINAL | | |
| R2801 | NRSA63J-473X | MG RESISTOR | 47kΩ 1/16W J | | EP202 | NNZ0165-001X | EARTH TERMINAL | | |
| R2802 | NRSA63J-222X | MG RESISTOR | 2.2kΩ 1/16W J | | EP203 | NNZ0165-001X | EARTH TERMINAL | | |
| R2803 | NRSA63J-473X | MG RESISTOR | 47kΩ 1/16W J | | EP204 | NNZ0165-001X | EARTH TERMINAL | | |
| R2804 | NRSA63J-473X | MG RESISTOR | 47kΩ 1/16W J | | EP205 | NNZ0165-001X | EARTH TERMINAL | | |
| R2805 | NRSA63J-106X | MG RESISTOR | 10MΩ 1/16W J | | EP481 | NNZ0165-001X | EARTH TERMINAL | | B |
| R2806 | NRSA63J-0R0X | MG RESISTOR | 0Ω 1/10W J | | F2900 | QMFZ039-150-T | FUSE | 15A | A |
| R2807 | NRSA63J-0R0X | MG RESISTOR | 0Ω 1/10W J | | F2901 | NMFZ018-5R0X-E | FUSE | 5A | A |
| R2808 | NRSA63J-106X | MG RESISTOR | 10MΩ 1/16W J | | △F2901 | NMFZ018-5R0X-E | FUSE | 5A | B |
| R2809 | NRSA63J-472X | MG RESISTOR | 4.7kΩ 1/16W J | | F2902 | NMFZ018-5R0X-E | FUSE | 5A | A |
| R2810 | NRSA63J-472X | MG RESISTOR | 4.7kΩ 1/16W J | | △F2902 | NMFZ018-5R0X-E | FUSE | 5A | B |
| R2811 | NRSA63J-472X | MG RESISTOR | 4.7kΩ 1/16W J | | J2301 | QNN0775-001 | PIN JACK | | |
| R2812 | NRSA63J-472X | MG RESISTOR | 4.7kΩ 1/16W J | | K2401 | NQR0201-004X | FERRITE BEADS | | |
| R2813 | NRSA63J-472X | MG RESISTOR | 4.7kΩ 1/16W J | | K2402 | NQR0201-004X | FERRITE BEADS | | |
| R2814 | NRSA63J-472X | MG RESISTOR | 4.7kΩ 1/16W J | | K2403 | NQR0389-001X | FERRITE BEADS | | |
| R2815 | NRSA63J-0R0X | MG RESISTOR | 0Ω 1/10W J | A | K2404 | NQR0389-001X | FERRITE BEADS | | |
| R2816 | NRSA63J-0R0X | MG RESISTOR | 0Ω 1/10W J | A | | | | | |
| R2817 | NRSA63J-472X | MG RESISTOR | 4.7kΩ 1/16W J | | | | | | |

| Symbol No. | Part No. | Part Name | Description | Local |
|------------|--------------|--------------|-------------|-------|
| PP1 | QZW0010-001 | STYLE PIN | | |
| PP2 | QZW0010-001 | STYLE PIN | | |
| TH201 | NAD0028-103X | N THERMISTOR | 10kΩ | |
| TH231 | NAD0028-103X | N THERMISTOR | 10kΩ | |
| W2101 | QAM1233-001 | CAR CABLE | | |
| X2001 | QAX0401-001 | CRYSTAL | 32.768KHz | |
| X2002 | NAX0981-001X | CRYSTAL | | |
| X2101 | QAX0928-001Z | CRYSTAL | | |
| X2102 | QAX0263-001Z | CRYSTAL | 4.332MHz | B |
| X2201 | QAX0928-001Z | CRYSTAL | | B |

Sub board

Block No. [0][7]

| Symbol No. | Part No. | Part Name | Description | Local |
|------------|-----------------|-----------------|--------------|-------|
| IC311 | JVM4152 | IC(MCU) | | |
| IC321 | TC74VHCT126AFTX | IC | | A |
| IC341 | NJM2505AF-X | IC | | |
| IC342 | NJM2505AF-X | IC | | |
| IC343 | NJM2535V-X | IC | | |
| IC344 | NJM2535V-X | IC | | |
| IC345 | NJM2561F1-X | IC | | |
| IC351 | TOTX177L | OPT TRANSMITTER | | |
| IC371 | BD9781HFP-W | IC | | |
| IC372 | BD9781HFP-W | IC | | |
| IC374 | LT1946AEMS8E-X | IC | | |
| IC381 | NJM4565E-X | IC | | |
| IC392 | NJM2732RB1-X | IC | | B |
| Q3701 | 2SA812A/5-6/-X | TRANSISTOR | | |
| Q3702 | 2SC1623A/5-6/-X | TRANSISTOR | | |
| Q3703 | 2SA812A/5-6/-X | TRANSISTOR | | |
| Q3901 | RT1N141C-X | DIGI TRANSISTOR | | |
| Q3901 | or UN2211-X | TRANSISTOR | | |
| D3201 | MA22D23-X | SB DIODE | | A |
| D3301 | MA8062/M/-X | Z DIODE | | |
| D3302 | MA8062/M/-X | Z DIODE | | |
| D3303 | MA8062/M/-X | Z DIODE | | |
| D3304 | MA8062/M/-X | Z DIODE | | |
| D3305 | MA8062/M/-X | Z DIODE | | |
| D3306 | MA8062/M/-X | Z DIODE | | |
| D3307 | MA8062/M/-X | Z DIODE | | |
| D3308 | MA8062/M/-X | Z DIODE | | |
| D3411 | MA111-X | SI DIODE | | |
| D3412 | MA111-X | SI DIODE | | |
| D3421 | MA111-X | SI DIODE | | |
| D3422 | MA111-X | SI DIODE | | |
| D3711 | MA24D50-X | DIODE | | |
| D3721 | MA24D50-X | DIODE | | |
| D3741 | MA8120/M/-X | Z DIODE | | |
| D3742 | MA22D39-X | SB DIODE | | |
| D3743 | MA8024-X | Z DIODE | | |
| D3744 | MA2SD31-X | SB DIODE | | |
| D3745 | MA2SD31-X | SB DIODE | | |
| D3746 | MA2SD31-X | SB DIODE | | |
| D3747 | MA2SD31-X | SB DIODE | | |
| D3748 | MA8180/H/-X | Z DIODE | | |
| D3801 | MA8110/M/-X | Z DIODE | | |
| D3802 | MA8110/M/-X | Z DIODE | | |
| D3922 | MA111-X | SI DIODE | | B |
| C3001 | NDC31HJ-102X | C CAPACITOR | 1000pF 50V J | |
| C3002 | NDC31HJ-102X | C CAPACITOR | 1000pF 50V J | |
| C3003 | NDC31HJ-101X | C CAPACITOR | 100pF 50V J | |
| C3004 | NCB31CK-104X | C CAPACITOR | 0.1uF 16V K | |
| C3005 | NCB31CK-104X | C CAPACITOR | 0.1uF 16V K | |
| C3006 | NCB31CK-104X | C CAPACITOR | 0.1uF 16V K | |
| C3031 | NCJ11EK-106X-R | C CAPACITOR | 10uF 25V | |
| C3032 | NCJ11EK-106X-R | C CAPACITOR | 10uF 25V | |
| C3033 | QEKJ1CM-107Z | E CAPACITOR | 100uF 16V M | |
| C3034 | NCJ11EK-106X-R | C CAPACITOR | 10uF 25V | |
| C3035 | QEKJ1CM-107Z | E CAPACITOR | 100uF 16V M | |

| Symbol No. | Part No. | Part Name | Description | Local |
|------------|----------------|-------------|---------------|-------|
| C3036 | NCJ11EK-106X-R | C CAPACITOR | 10uF 25V | |
| C3037 | QEKJ1CM-107Z | E CAPACITOR | 100uF 16V M | |
| C3038 | NCJ11EK-106X-R | C CAPACITOR | 10uF 25V | |
| C3039 | NCJ11EK-106X-R | C CAPACITOR | 10uF 25V | |
| C3040 | NCJ11EK-106X-R | C CAPACITOR | 10uF 25V | |
| C3041 | QEKJ1CM-107Z | E CAPACITOR | 100uF 16V M | |
| C3042 | NDC31HJ-471X | C CAPACITOR | 470pF 50V J | |
| C3043 | NCJ11EK-106X-R | C CAPACITOR | 10uF 25V | |
| C3045 | QERF1EM-107Z | E CAPACITOR | 100uF 25V M | |
| C3046 | NCJ11EK-106X-R | C CAPACITOR | 10uF 25V | |
| C3101 | QEKJ1CM-476Z | E CAPACITOR | 47uF 16V M | |
| C3102 | NCB31CK-104X | C CAPACITOR | 0.1uF 16V K | |
| C3105 | NCB31CK-104X | C CAPACITOR | 0.1uF 16V K | |
| C3106 | NCB31CK-104X | C CAPACITOR | 0.1uF 16V K | |
| C3201 | NCB31HK-102X | C CAPACITOR | 1000pF 50V K | A |
| C3202 | NCB31HK-102X | C CAPACITOR | 1000pF 50V K | A |
| C3203 | NDC31HJ-101X | C CAPACITOR | 100pF 50V J | A |
| C3204 | NCB31HK-104X | C CAPACITOR | 0.1uF 50V K | A |
| C3205 | NCB31HK-104X | C CAPACITOR | 0.1uF 50V K | A |
| C3206 | NCB31HK-104X | C CAPACITOR | 0.1uF 50V K | A |
| C3211 | NCB31HK-102X | C CAPACITOR | 1000pF 50V K | A |
| C3212 | NCB31HK-102X | C CAPACITOR | 1000pF 50V K | A |
| C3213 | QEKJ1CM-476Z | E CAPACITOR | 47uF 16V M | |
| C3214 | NCB31EK-473X | C CAPACITOR | 0.047uF 25V K | A |
| C3251 | NCB31CK-104X | C CAPACITOR | 0.1uF 16V K | |
| C3301 | NDC31HJ-470X | C CAPACITOR | 47pF 50V J | |
| C3303 | NDC31HJ-101X | C CAPACITOR | 100pF 50V J | |
| C3304 | NDC31HJ-101X | C CAPACITOR | 100pF 50V J | |
| C3305 | NCB31HK-473X | C CAPACITOR | 0.047uF 50V K | |
| C3307 | NDC31HJ-470X | C CAPACITOR | 47pF 50V J | |
| C3308 | NDC31HJ-101X | C CAPACITOR | 100pF 50V J | |
| C3309 | NDC31HJ-101X | C CAPACITOR | 100pF 50V J | B |
| C3310 | NDC31HJ-101X | C CAPACITOR | 100pF 50V J | |
| C3311 | NDC31HJ-471X | C CAPACITOR | 470pF 50V J | |
| C3411 | QEKJ1EM-106Z | E CAPACITOR | 10uF 25V M | |
| C3412 | QEKJ1EM-106Z | E CAPACITOR | 10uF 25V M | |
| C3413 | NCB31HK-102X | C CAPACITOR | 1000pF 50V K | |
| C3414 | QEKJ1CM-476Z | E CAPACITOR | 47uF 16V M | |
| C3415 | NCB31CK-104X | C CAPACITOR | 0.1uF 16V K | |
| C3421 | QEKJ1EM-106Z | E CAPACITOR | 10uF 25V M | |
| C3422 | QEKJ1EM-106Z | E CAPACITOR | 10uF 25V M | |
| C3423 | NCB31HK-102X | C CAPACITOR | 1000pF 50V K | |
| C3425 | NCB31CK-104X | C CAPACITOR | 0.1uF 16V K | |
| C3431 | NCB31CK-105X | C CAPACITOR | 1uF 16V K | |
| C3432 | NCB31CK-105X | C CAPACITOR | 1uF 16V K | |
| C3433 | NCB31CK-105X | C CAPACITOR | 1uF 16V K | |
| C3435 | NCB31HK-104X | C CAPACITOR | 0.1uF 50V K | |
| C3441 | NCB31CK-105X | C CAPACITOR | 1uF 16V K | |
| C3442 | NCB31CK-105X | C CAPACITOR | 1uF 16V K | |
| C3443 | NCB31CK-105X | C CAPACITOR | 1uF 16V K | |
| C3444 | QEKJ1CM-476Z | E CAPACITOR | 47uF 16V M | |
| C3445 | NCB31HK-104X | C CAPACITOR | 0.1uF 50V K | |
| C3451 | QEKJ0JM-337Z | E CAPACITOR | 330uF 6.3V M | |
| C3453 | NCB31CK-105X | C CAPACITOR | 1uF 16V K | |
| C3454 | NCB31HK-104X | C CAPACITOR | 0.1uF 50V K | |
| C3501 | QEKJ1CM-476Z | E CAPACITOR | 47uF 16V M | |
| C3504 | NCB31CK-104X | C CAPACITOR | 0.1uF 16V K | |
| C3505 | QEKJ1CM-107Z | E CAPACITOR | 100uF 16V M | |
| C3507 | NCB31CK-104X | C CAPACITOR | 0.1uF 16V K | |
| C3551 | QEKJ1EM-106Z | E CAPACITOR | 10uF 25V M | |
| C3552 | NCB31HK-103X | C CAPACITOR | 0.01uF 50V K | |
| C3553 | NDC31HJ-101X | C CAPACITOR | 100pF 50V J | |
| C3701 | QETN1EM-477Z | E CAPACITOR | 470uF 25V M | |
| C3702 | QERF1EM-107Z | E CAPACITOR | 100uF 25V M | |
| C3703 | NCJ11EK-106X-R | C CAPACITOR | 10uF 25V | |
| C3711 | NCJ11EK-106X-R | C CAPACITOR | 10uF 25V | |
| C3712 | QEKJ1CM-107Z | E CAPACITOR | 100uF 16V M | |
| C3713 | NCJ11EK-106X-R | C CAPACITOR | 10uF 25V | |
| C3714 | NCB31CK-104X | C CAPACITOR | 0.1uF 16V K | |
| C3715 | NCB31HK-472X | C CAPACITOR | 4700pF 50V K | |
| C3721 | NCJ11EK-106X-R | C CAPACITOR | 10uF 25V | |
| C3722 | QEKJ1CM-107Z | E CAPACITOR | 100uF 16V M | |
| C3723 | NCJ11EK-106X-R | C CAPACITOR | 10uF 25V | |
| C3724 | NCB31CK-104X | C CAPACITOR | 0.1uF 16V K | |
| C3725 | NCB31HK-472X | C CAPACITOR | 4700pF 50V K | |
| C3732 | QEKJ1EM-106Z | E CAPACITOR | 10uF 25V M | |
| C3741 | NCB11EK-105X | C CAPACITOR | 1uF 25V K | |
| C3742 | NCJ11EK-106X-R | C CAPACITOR | 10uF 25V | |

| △ Symbol No. | Part No. | Part Name | Description | Local | △ Symbol No. | Part No. | Part Name | Description | Local |
|--------------|----------------|-------------|---------------|-------|--------------|--------------|-------------|---------------|-------|
| C3743 | NCB11EK-105X | C CAPACITOR | 1uF 25V K | | R3116 | NRSA63J-103X | MG RESISTOR | 10kΩ 1/16W J | |
| C3744 | NDC31HJ-220X | C CAPACITOR | 22pF 50V J | | R3117 | NRSA63J-103X | MG RESISTOR | 10kΩ 1/16W J | |
| C3745 | NCB11EK-105X | C CAPACITOR | 1uF 25V K | | R3118 | NRSA63J-102X | MG RESISTOR | 1kΩ 1/16W J | |
| C3746 | NCB11EK-105X | C CAPACITOR | 1uF 25V K | | R3124 | NRSA63J-103X | MG RESISTOR | 10kΩ 1/16W J | |
| C3747 | NCB31HK-103X | C CAPACITOR | 0.01uF 50V K | | R3125 | NRSA63J-101X | MG RESISTOR | 100Ω 1/16W J | |
| C3748 | NCB11EK-105X | C CAPACITOR | 1uF 25V K | | R3126 | NRSA63J-472X | MG RESISTOR | 4.7kΩ 1/16W J | |
| C3749 | NCJ11EK-106X-R | C CAPACITOR | 10uF 25V | | R3127 | NRSA63J-102X | MG RESISTOR | 1kΩ 1/16W J | |
| C3750 | NCJ11EK-106X-R | C CAPACITOR | 10uF 25V | | R3128 | NRSA63J-0R0X | MG RESISTOR | 0Ω 1/10W J | |
| C3751 | NCB31HK-103X | C CAPACITOR | 0.01uF 50V K | | R3129 | NRSA63J-103X | MG RESISTOR | 10kΩ 1/16W J | |
| C3752 | NCB31CK-105X | C CAPACITOR | 1uF 16V K | | R3130 | NRSA63J-103X | MG RESISTOR | 10kΩ 1/16W J | B |
| C3753 | NCJ11EK-106X-R | C CAPACITOR | 10uF 25V | | R3131 | NRSA63J-103X | MG RESISTOR | 10kΩ 1/16W J | B |
| C3754 | NCB11EK-105X | C CAPACITOR | 1uF 25V K | | R3132 | NRSA63J-103X | MG RESISTOR | 10kΩ 1/16W J | B |
| C3755 | NDC31HJ-471X | C CAPACITOR | 470pF 50V J | | R3134 | NRSA63J-223X | MG RESISTOR | 22kΩ 1/16W J | |
| C3756 | NCB31CK-105X | C CAPACITOR | 1uF 16V K | | R3135 | NRSA63J-101X | MG RESISTOR | 100Ω 1/16W J | |
| C3802 | NDC31HJ-101X | C CAPACITOR | 100pF 50V J | | R3136 | NRSA63J-103X | MG RESISTOR | 10kΩ 1/16W J | |
| C3803 | NCB31CK-105X | C CAPACITOR | 1uF 16V K | | R3137 | NRSA63J-103X | MG RESISTOR | 10kΩ 1/16W J | |
| C3804 | NCB31CK-105X | C CAPACITOR | 1uF 16V K | | R3201 | NRSA63J-151X | MG RESISTOR | 150Ω 1/16W J | A |
| C3805 | NDC31HJ-561X | C CAPACITOR | 560pF 50V J | | R3202 | NRSA63J-151X | MG RESISTOR | 150Ω 1/16W J | A |
| C3806 | QEKJ1CM-476Z | E CAPACITOR | 47uF 16V M | | R3203 | NRSA63J-0R0X | MG RESISTOR | 0Ω 1/10W J | A |
| C3807 | NCB31EK-333X | C CAPACITOR | 0.033uF 25V K | | R3211 | NRSA63J-102X | MG RESISTOR | 1kΩ 1/16W J | A |
| C3808 | NCB31EK-333X | C CAPACITOR | 0.033uF 25V K | | R3212 | NRSA63J-104X | MG RESISTOR | 100kΩ 1/16W J | A |
| C3809 | NCB31HK-104X | C CAPACITOR | 0.1uF 50V K | | R3213 | NRSA63J-104X | MG RESISTOR | 100kΩ 1/16W J | A |
| C3810 | NDC31HJ-561X | C CAPACITOR | 560pF 50V J | | R3214 | NRSA63J-392X | MG RESISTOR | 3.9kΩ 1/16W J | A |
| C3811 | NCJ11EK-106X-R | C CAPACITOR | 10uF 25V | | R3215 | NRSA63J-682X | MG RESISTOR | 6.8kΩ 1/16W J | A |
| C3812 | NCB31CK-105X | C CAPACITOR | 1uF 16V K | | R3216 | NRSA63J-102X | MG RESISTOR | 1kΩ 1/16W J | A |
| C3813 | NCJ11EK-106X-R | C CAPACITOR | 10uF 25V | | R3217 | NRSA63J-104X | MG RESISTOR | 100kΩ 1/16W J | A |
| C3814 | NCB31HK-104X | C CAPACITOR | 0.1uF 50V K | | R3218 | NRSA63J-101X | MG RESISTOR | 100Ω 1/16W J | A |
| C3911 | NCB31CK-104X | C CAPACITOR | 0.1uF 16V K | | R3219 | NRSA63J-101X | MG RESISTOR | 100Ω 1/16W J | A |
| C3912 | NDC31HJ-101X | C CAPACITOR | 100pF 50V J | | R3220 | NRSA63J-104X | MG RESISTOR | 100kΩ 1/16W J | A |
| C3921 | NDC31HJ-101X | C CAPACITOR | 100pF 50V J | B | R3221 | NRSA63J-102X | MG RESISTOR | 1kΩ 1/16W J | A |
| C3922 | NCB31HK-472X | C CAPACITOR | 4700pF 50V K | B | R3222 | NRSA63J-104X | MG RESISTOR | 100kΩ 1/16W J | A |
| C3923 | NCB31HK-102X | C CAPACITOR | 1000pF 50V K | B | R3223 | NRSA63J-392X | MG RESISTOR | 3.9kΩ 1/16W J | A |
| C3924 | NCB31HK-104X | C CAPACITOR | 0.1uF 50V K | B | R3224 | NRSA63J-682X | MG RESISTOR | 6.8kΩ 1/16W J | A |
| R3002 | NRSA63J-101X | MG RESISTOR | 100Ω 1/16W J | | R3251 | NRS181J-0R0X | MG RESISTOR | 0Ω 1/8W J | |
| R3003 | NRSA63J-101X | MG RESISTOR | 100Ω 1/16W J | | R3301 | NRSA63J-750X | MG RESISTOR | 75Ω 1/16W J | |
| R3004 | NRSA63J-101X | MG RESISTOR | 100Ω 1/16W J | | R3303 | NRSA63J-222X | MG RESISTOR | 2.2kΩ 1/16W J | |
| R3005 | NRSA63J-101X | MG RESISTOR | 100Ω 1/16W J | | R3304 | NRSA63J-222X | MG RESISTOR | 2.2kΩ 1/16W J | |
| R3006 | NRSA63J-101X | MG RESISTOR | 100Ω 1/16W J | | R3305 | NRSA63J-223X | MG RESISTOR | 22kΩ 1/16W J | |
| R3007 | NRSA63J-101X | MG RESISTOR | 100Ω 1/16W J | | R3306 | NRSA63J-223X | MG RESISTOR | 22kΩ 1/16W J | |
| R3008 | NRSA63J-101X | MG RESISTOR | 100Ω 1/16W J | | R3307 | NRSA63J-471X | MG RESISTOR | 470Ω 1/16W J | |
| R3009 | NRSA63J-101X | MG RESISTOR | 100Ω 1/16W J | | R3308 | NRSA63J-0R0X | MG RESISTOR | 0Ω 1/10W J | |
| R3010 | NRSA63J-101X | MG RESISTOR | 100Ω 1/16W J | | R3309 | NRSA63J-0R0X | MG RESISTOR | 0Ω 1/10W J | |
| R3011 | NRSA63J-101X | MG RESISTOR | 100Ω 1/16W J | | R3310 | NRSA63J-0R0X | MG RESISTOR | 0Ω 1/10W J | |
| R3012 | NRSA63J-101X | MG RESISTOR | 100Ω 1/16W J | | R3311 | NRSA63J-0R0X | MG RESISTOR | 0Ω 1/10W J | |
| R3013 | NRSA63J-101X | MG RESISTOR | 100Ω 1/16W J | | R3312 | NRSA63J-0R0X | MG RESISTOR | 0Ω 1/10W J | |
| R3014 | NRSA63J-101X | MG RESISTOR | 100Ω 1/16W J | | R3313 | NRSA63J-271X | MG RESISTOR | 270Ω 1/16W J | |
| R3015 | NRSA63J-101X | MG RESISTOR | 100Ω 1/16W J | | R3314 | NRSA63J-101X | MG RESISTOR | 100Ω 1/16W J | B |
| R3016 | NRSA63J-101X | MG RESISTOR | 100Ω 1/16W J | | R3315 | NRSA63J-101X | MG RESISTOR | 100Ω 1/16W J | |
| R3017 | NRSA63J-101X | MG RESISTOR | 100Ω 1/16W J | | R3411 | NRSA63J-471X | MG RESISTOR | 470Ω 1/16W J | |
| R3018 | NRSA63J-101X | MG RESISTOR | 100Ω 1/16W J | | R3412 | NRSA63J-471X | MG RESISTOR | 470Ω 1/16W J | |
| R3019 | NRSA63J-101X | MG RESISTOR | 100Ω 1/16W J | | R3414 | NRSA63J-390X | MG RESISTOR | 39Ω 1/16W J | |
| R3020 | NRSA63J-101X | MG RESISTOR | 100Ω 1/16W J | | R3421 | NRSA63J-471X | MG RESISTOR | 470Ω 1/16W J | |
| R3021 | NRSA63J-101X | MG RESISTOR | 100Ω 1/16W J | | R3422 | NRSA63J-471X | MG RESISTOR | 470Ω 1/16W J | |
| R3022 | NRSA63J-101X | MG RESISTOR | 100Ω 1/16W J | | R3424 | NRSA63J-390X | MG RESISTOR | 39Ω 1/16W J | |
| R3023 | NRSA63J-101X | MG RESISTOR | 100Ω 1/16W J | | R3431 | NRSA63J-332X | MG RESISTOR | 3.3kΩ 1/16W J | |
| R3031 | NRSA63J-101X | MG RESISTOR | 100Ω 1/16W J | | R3432 | NRSA63J-181X | MG RESISTOR | 180Ω 1/16W J | |
| R3032 | NRSA63J-101X | MG RESISTOR | 100Ω 1/16W J | | R3434 | NRSA63J-0R0X | MG RESISTOR | 0Ω 1/10W J | |
| R3033 | NRS125J-R22X | MG RESISTOR | 0.22Ω 1/2W J | | R3451 | NRSA63J-0R0X | MG RESISTOR | 0Ω 1/10W J | |
| R3034 | NRS125J-R22X | MG RESISTOR | 0.22Ω 1/2W J | | R3452 | NRSA63J-0R0X | MG RESISTOR | 0Ω 1/10W J | |
| R3035 | NRSA63J-104X | MG RESISTOR | 100kΩ 1/16W J | | R3504 | NRSA63J-473X | MG RESISTOR | 47kΩ 1/16W J | |
| R3036 | NRSA63J-104X | MG RESISTOR | 100kΩ 1/16W J | | R3508 | NRSA63J-473X | MG RESISTOR | 47kΩ 1/16W J | |
| R3037 | NRS125J-R22X | MG RESISTOR | 0.22Ω 1/2W J | | R3510 | NRSA63J-473X | MG RESISTOR | 47kΩ 1/16W J | |
| R3038 | NRS125J-R22X | MG RESISTOR | 0.22Ω 1/2W J | | R3513 | NRSA63J-473X | MG RESISTOR | 47kΩ 1/16W J | |
| R3101 | NRSA63J-0R0X | MG RESISTOR | 0Ω 1/10W J | | R3515 | NRSA63J-473X | MG RESISTOR | 47kΩ 1/16W J | |
| R3102 | NRSA63J-103X | MG RESISTOR | 10kΩ 1/16W J | | R3516 | NRSA63J-0R0X | MG RESISTOR | 0Ω 1/10W J | |
| R3103 | NRSA63J-0R0X | MG RESISTOR | 0Ω 1/10W J | | R3517 | NRSA63J-0R0X | MG RESISTOR | 0Ω 1/10W J | |
| R3104 | NRSA63J-103X | MG RESISTOR | 10kΩ 1/16W J | | R3518 | NRSA63J-224X | MG RESISTOR | 220kΩ 1/16W J | |
| R3105 | NRSA63J-102X | MG RESISTOR | 1kΩ 1/16W J | | R3519 | NRSA63J-224X | MG RESISTOR | 220kΩ 1/16W J | |
| R3106 | NRSA63J-102X | MG RESISTOR | 1kΩ 1/16W J | A | R3551 | NRSA63J-0R0X | MG RESISTOR | 0Ω 1/10W J | |
| R3107 | NRSA63J-102X | MG RESISTOR | 1kΩ 1/16W J | A | R3711 | NRSA63D-224X | MG RESISTOR | 220kΩ 1/16W D | |
| R3108 | NRSA63J-102X | MG RESISTOR | 1kΩ 1/16W J | A | R3712 | NRSA63J-154X | MG RESISTOR | 150kΩ 1/16W J | |
| R3109 | NRSA63J-102X | MG RESISTOR | 1kΩ 1/16W J | | R3713 | NRSA63D-623X | MG RESISTOR | 62kΩ 1/16W D | |
| R3110 | NRSA63J-103X | MG RESISTOR | 10kΩ 1/16W J | | R3714 | NRSA63D-224X | MG RESISTOR | 220kΩ 1/16W D | |
| R3111 | NRSA63J-102X | MG RESISTOR | 1kΩ 1/16W J | | R3715 | NRSA63D-103X | MG RESISTOR | 10kΩ 1/16W D | |
| R3113 | NRSA63J-102X | MG RESISTOR | 1kΩ 1/16W J | A | R3721 | NRSA63D-224X | MG RESISTOR | 220kΩ 1/16W D | |
| R3114 | NRSA63J-102X | MG RESISTOR | 1kΩ 1/16W J | A | R3722 | NRSA63J-154X | MG RESISTOR | 150kΩ 1/16W J | |
| R3115 | NRSA63J-102X | MG RESISTOR | 1kΩ 1/16W J | A | R3723 | NRSA63D-243X | MG RESISTOR | 24kΩ 1/16W D | |
| | | | | | R3725 | NRSA63D-103X | MG RESISTOR | 10kΩ 1/16W D | |

| △ Symbol No. | Part No. | Part Name | Description | Local |
|--------------|----------------|-----------------|---------------|-------|
| R3741 | NRSA63J-154X | MG RESISTOR | 150kΩ 1/16W J | |
| R3742 | NRSA63J-473X | MG RESISTOR | 47kΩ 1/16W J | |
| R3743 | NRSA63J-104X | MG RESISTOR | 100kΩ 1/16W J | |
| R3744 | NRSA63J-682X | MG RESISTOR | 6.8kΩ 1/16W J | |
| R3745 | NRSA63D-184X | MG RESISTOR | 180kΩ 1/16W D | |
| R3746 | NRSA63D-203X | MG RESISTOR | 20kΩ 1/16W D | |
| R3747 | NRSA63J-331X | MG RESISTOR | 330Ω 1/16W J | |
| R3748 | NRSA63J-104X | MG RESISTOR | 100kΩ 1/16W J | |
| R3749 | NRSA63J-102X | MG RESISTOR | 1kΩ 1/16W J | |
| R3750 | NRSA63J-0R0X | MG RESISTOR | 0Ω 1/10W J | |
| R3751 | NRSA63J-202X | MG RESISTOR | 2kΩ 1/16W J | |
| R3752 | NRSA63J-223X | MG RESISTOR | 22kΩ 1/16W J | |
| R3753 | NRSA63J-562X | MG RESISTOR | 5.6kΩ 1/16W J | |
| R3801 | NRSA63J-122X | MG RESISTOR | 1.2kΩ 1/16W J | |
| R3802 | NRSA63J-122X | MG RESISTOR | 1.2kΩ 1/16W J | |
| R3803 | NRSA63J-333X | MG RESISTOR | 33kΩ 1/16W J | |
| R3804 | NRSA63J-822X | MG RESISTOR | 8.2kΩ 1/16W J | |
| R3805 | NRSA63J-822X | MG RESISTOR | 8.2kΩ 1/16W J | |
| R3806 | NRSA63J-223X | MG RESISTOR | 22kΩ 1/16W J | |
| R3807 | NRSA63J-223X | MG RESISTOR | 22kΩ 1/16W J | |
| R3808 | NRSA63J-333X | MG RESISTOR | 33kΩ 1/16W J | |
| R3809 | NRSA63J-822X | MG RESISTOR | 8.2kΩ 1/16W J | |
| R3810 | NRSA63J-333X | MG RESISTOR | 33kΩ 1/16W J | |
| R3811 | NRSA63J-100X | MG RESISTOR | 10Ω 1/16W J | |
| R3812 | NRSA63J-680X | MG RESISTOR | 68Ω 1/16W J | |
| R3813 | NRSA63J-680X | MG RESISTOR | 68Ω 1/16W J | |
| R3911 | NRSA63J-0R0X | MG RESISTOR | 0Ω 1/10W J | |
| R3912 | NRSA63J-103X | MG RESISTOR | 10kΩ 1/16W J | |
| R3914 | NRSA63J-473X | MG RESISTOR | 47kΩ 1/16W J | |
| R3921 | NRSA63J-513X | MG RESISTOR | 51kΩ 1/16W J | B |
| R3922 | NRSA63J-513X | MG RESISTOR | 51kΩ 1/16W J | B |
| R3923 | NRSA63J-513X | MG RESISTOR | 51kΩ 1/16W J | B |
| R3924 | NRSA63J-683X | MG RESISTOR | 68kΩ 1/16W J | B |
| R3925 | NRSA63J-683X | MG RESISTOR | 68kΩ 1/16W J | B |
| R3926 | NRSA63J-103X | MG RESISTOR | 10kΩ 1/16W J | B |
| R3927 | NRSA63J-513X | MG RESISTOR | 51kΩ 1/16W J | B |
| R3928 | NRSA63J-563X | MG RESISTOR | 56kΩ 1/16W J | B |
| R3929 | NRSA63J-683X | MG RESISTOR | 68kΩ 1/16W J | B |
| R3930 | NRSA63J-104X | MG RESISTOR | 100kΩ 1/16W J | B |
| R3931 | NRSA63J-822X | MG RESISTOR | 8.2kΩ 1/16W J | B |
| RA341 | NRZ0065-301X | MG RESISTOR | 300Ω | |
| RA342 | NRZ0065-301X | MG RESISTOR | 300Ω | |
| L3101 | NQL79GK-100X | COIL | 10uH K | |
| L3201 | NQLC8CN-4R9X | COIL | 4.9uH N | A |
| L3401 | NQL79GK-470X | COIL | 47uH K | |
| L3701 | NQLC8CN-4R9X | COIL | 4.9uH N | |
| L3711 | NQL71EM-330X | COIL | 33uH M | |
| L3721 | NQL71EM-330X | COIL | 33uH M | |
| L3741 | NQL79GK-100X | COIL | 10uH K | |
| L3742 | NQLZ007-4R7X | COIL | 4.7uH | |
| L3743 | NQL79GK-470X | COIL | 47uH K | |
| L3801 | NQL79GK-470X | COIL | 47uH K | |
| BK331 | LV36554-002A | CONNECTOR BKT | | A |
| BK381 | LV38639-001A | MIC BKT | | A |
| CN301 | QGB0815K1-60X | CONNECTOR | B-B (1-60) | |
| CN302 | QGB1004K2-30W | CONNECTOR | B-B (1-30) | |
| CN321 | QNZ0095-001 | CONNECTOR | | A |
| CN325 | QGA2001C7-02X | CONNECTOR | W-B (1-2) | |
| CN331 | QGA2015F1-14 | CONNECTOR | W-B (1-14) | |
| CN351 | QGB2027M4-30S | CONNECTOR | B-B (1-30) | |
| EP301 | NNZ0165-001X | EARTH TERMINAL | | |
| EP302 | NNZ0165-001X | EARTH TERMINAL | | |
| EP303 | NNZ0165-001X | EARTH TERMINAL | | |
| EP304 | NNZ0165-001X | EARTH TERMINAL | | |
| EP305 | NNZ0165-001X | EARTH TERMINAL | | |
| F3001 | NMFZ018-R75X-E | FUSE | 0.75A | A |
| △ F3001 | NMFZ018-R75X-E | FUSE | 0.75A | B |
| F3031 | NMFZ018-4R0X-E | FUSE | 4A | A |
| △ F3031 | NMFZ018-4R0X-E | FUSE | 4A | B |
| F3032 | NMFZ018-4R0X-E | FUSE | 4A | A |
| △ F3032 | NMFZ018-4R0X-E | FUSE | 4A | B |
| J3801 | QNS0283-001 | STEERING REMOTE | | |
| K3001 | NQR0201-004X | FERRITE BEADS | | |
| K3002 | NQR0201-004X | FERRITE BEADS | | |
| K3551 | NQR0022-005X | FERRITE BEADS | | |
| K3801 | NRSA63J-0R0X | MG RESISTOR | 0Ω 1/10W J | |

| △ Symbol No. | Part No. | Part Name | Description | Local |
|--------------|--------------|---------------|-------------|-------|
| K3802 | NRSA63J-0R0X | MG RESISTOR | 0Ω 1/10W J | |
| PP3 | QZW0010-001 | STYLE PIN | | |
| S3001 | NSW0126-001X | DETECT SWITCH | | |

Detach board

Block No. [0][8]

| △ Symbol No. | Part No. | Part Name | Description | Local |
|--------------|-----------------|-------------|--------------|-------|
| IC401 | RUQ050N02-W | MOS FET | | |
| IC451 | BA00CC0WFP-X | IC | | |
| IC452 | BA00CC0WFP-X | IC | | |
| IC453 | NJM4580E-X | IC | | |
| Q451 | 2SC1623A/5-6/-X | TRANSISTOR | | |
| D401 | MA8062/M/-X | Z DIODE | | |
| D402 | MA8062/M/-X | Z DIODE | | |
| D403 | MA8062/M/-X | Z DIODE | | |
| D404 | MA8062/M/-X | Z DIODE | | |
| D405 | MA8062/M/-X | Z DIODE | | |
| D406 | MA8062/M/-X | Z DIODE | | |
| D407 | MA8062/M/-X | Z DIODE | | |
| D408 | MA8062/M/-X | Z DIODE | | |
| D409 | MA8062/M/-X | Z DIODE | | |
| D410 | MA8062/M/-X | Z DIODE | | |
| D411 | MA8062/M/-X | Z DIODE | | |
| D412 | MA8062/M/-X | Z DIODE | | |
| D413 | MA8062/M/-X | Z DIODE | | |
| D414 | MA8062/M/-X | Z DIODE | | |
| D415 | MA8062/M/-X | Z DIODE | | |
| D416 | MA8062/M/-X | Z DIODE | | |
| D417 | MA8062/M/-X | Z DIODE | | |
| D418 | MA8062/M/-X | Z DIODE | | |
| D419 | MA8062/M/-X | Z DIODE | | |
| D420 | MA8062/M/-X | Z DIODE | | |
| D421 | MA8062/M/-X | Z DIODE | | |
| D422 | MA8062/M/-X | Z DIODE | | |
| D423 | MA8062/M/-X | Z DIODE | | |
| D451 | CRS03-W | SB DIODE | | |
| D452 | CRS03-W | SB DIODE | | |
| D453 | CRS03-W | SB DIODE | | |
| D454 | MA8056/H/-X | Z DIODE | | |
| D458 | CRS03-W | SB DIODE | | |
| D459 | CRS03-W | SB DIODE | | |
| D491 | NECBB205/WPQR/X | LED | | |
| D4531 | MA8051/M/-X | Z DIODE | | |
| D4541 | MA8051/M/-X | Z DIODE | | |
| C451 | NEAF1CM-476X | E CAPACITOR | 47uF 16V M | |
| C452 | NEAF1CM-107X | E CAPACITOR | 100uF 16V M | |
| C453 | NCB31CK-104X | C CAPACITOR | 0.1uF 16V K | |
| C454 | NEAF1CM-476X | E CAPACITOR | 47uF 16V M | |
| C455 | NEAF1CM-107X | E CAPACITOR | 100uF 16V M | |
| C456 | NCB31CK-104X | C CAPACITOR | 0.1uF 16V K | |
| C457 | NEAF1CM-107X | E CAPACITOR | 100uF 16V M | |
| C458 | NEAF1CM-107X | E CAPACITOR | 100uF 16V M | |
| C4501 | NCB31CK-104X | C CAPACITOR | 0.1uF 16V K | |
| C4503 | NDC31HJ-471X | C CAPACITOR | 470pF 50V J | |
| C4504 | NCB31CK-104X | C CAPACITOR | 0.1uF 16V K | |
| C4505 | NCB31CK-104X | C CAPACITOR | 0.1uF 16V K | |
| C4506 | NCB31CK-104X | C CAPACITOR | 0.1uF 16V K | |
| C4507 | NCB31HK-103X | C CAPACITOR | 0.01uF 50V K | |
| C4508 | NDC31HJ-101X | C CAPACITOR | 100pF 50V J | |
| C4509 | NCB31CK-104X | C CAPACITOR | 0.1uF 16V K | |
| C4531 | NEAF1EM-475X | E CAPACITOR | 4.7uF 25V M | |
| C4532 | NDC31HJ-821X | C CAPACITOR | 820pF 50V J | |
| C4533 | NDC31HJ-681X | C CAPACITOR | 680pF 50V J | |
| C4534 | NEAF1CM-107X | E CAPACITOR | 100uF 16V M | |
| C4535 | NEAF1EM-475X | E CAPACITOR | 4.7uF 25V M | |
| C4536 | NEAF1CM-107X | E CAPACITOR | 100uF 16V M | |
| C4538 | NDC31HJ-331X | C CAPACITOR | 330pF 50V J | |
| C4541 | NEAF1EM-475X | E CAPACITOR | 4.7uF 25V M | |
| C4542 | NDC31HJ-821X | C CAPACITOR | 820pF 50V J | |

| △ Symbol No. | Part No. | Part Name | Description | Local | △ Symbol No. | Part No. | Part Name | Description | Local |
|--------------|---------------|----------------|----------------|-------|--------------|-----------------|-----------------|--------------|-------|
| C4543 | NDC31HJ-681X | C CAPACITOR | 680pF 50V J | | Q9112 | 2SC5938A/B/-X | TRANSISTOR | | |
| C4544 | NEAF1CM-107X | E CAPACITOR | 100uF 16V M | | Q9121 | ISA1530AC1/R/-X | TRANSISTOR | | |
| C4545 | NEAF1EM-475X | E CAPACITOR | 4.7uF 25V M | | Q9401 | 2SD601A/QR/-X | TRANSISTOR | | |
| C4548 | NDC31HJ-331X | C CAPACITOR | 330pF 50V J | | Q9402 | 2SB709A/QR/-X | TRANSISTOR | | |
| R401 | NRSA63J-0R0X | MG RESISTOR | 0Ω 1/10W J | | Q9403 | 2SD601A/QR/-X | TRANSISTOR | | |
| R402 | NRSA63J-0R0X | MG RESISTOR | 0Ω 1/10W J | | Q9404 | 2SB709A/QR/-X | TRANSISTOR | | |
| R403 | NRSA63J-102X | MG RESISTOR | 1kΩ 1/16W J | | Q9511 | RSQ025P03-W | TRANSISTOR | | |
| R451 | NRSA63D-682X | MG RESISTOR | 6.8kΩ 1/16W D | | Q9512 | 2SK3019-X | MOS FET | | |
| R452 | NRSA63D-302X | MG RESISTOR | 3kΩ 1/16W D | | Q9601 | RT1N141C-X | DIGI TRANSISTOR | | |
| R453 | NRSA63D-682X | MG RESISTOR | 6.8kΩ 1/16W D | | Q9602 | RT1N141C-X | DIGI TRANSISTOR | | |
| R454 | NRSA63D-222X | MG RESISTOR | 2.2kΩ 1/16W D | | Q9701 | RT1N141C-X | DIGI TRANSISTOR | | |
| R455 | NRSA63J-681X | MG RESISTOR | 680Ω 1/16W J | | Q9702 | RT1N441C-X | TRANSISTOR | | |
| R457 | NRSA63J-104X | MG RESISTOR | 100kΩ 1/16W J | | Q9711 | RT1N141C-X | DIGI TRANSISTOR | | |
| R4501 | NRSA63J-101X | MG RESISTOR | 100Ω 1/16W J | | Q9712 | 2SB709A/QR/-X | TRANSISTOR | | |
| R4531 | NRSA63J-104X | MG RESISTOR | 100kΩ 1/16W J | | Q9713 | 2SC5938A/B/-X | TRANSISTOR | | |
| R4532 | NRSA63J-182X | MG RESISTOR | 1.8kΩ 1/16W J | | Q9714 | 2SB709A/QR/-X | TRANSISTOR | | |
| R4533 | NRSA63J-182X | MG RESISTOR | 1.8kΩ 1/16W J | | Q9715 | 2SC5938A/B/-X | TRANSISTOR | | |
| R4534 | NRSA63J-104X | MG RESISTOR | 100kΩ 1/16W J | | Q9751 | RT1N141C-X | DIGI TRANSISTOR | | |
| R4535 | NRSA63J-102X | MG RESISTOR | 1kΩ 1/16W J | | Q9752 | RT1N441C-X | TRANSISTOR | | |
| R4536 | NRSA63J-752X | MG RESISTOR | 7.5kΩ 1/16W J | | D8401 | CL-260S-HB8-X | LED | | |
| R4537 | NRSA63J-472X | MG RESISTOR | 4.7kΩ 1/16W J | | D8402 | CL-260S-HB8-X | LED | | |
| R4541 | NRSA63J-104X | MG RESISTOR | 100kΩ 1/16W J | | D8403 | CL-260S-HB8-X | LED | | |
| R4542 | NRSA63J-182X | MG RESISTOR | 1.8kΩ 1/16W J | | D8404 | CL-260S-HB8-X | LED | | |
| R4543 | NRSA63J-182X | MG RESISTOR | 1.8kΩ 1/16W J | | D9004 | MA2SD31-X | SB DIODE | | |
| R4544 | NRSA63J-104X | MG RESISTOR | 100kΩ 1/16W J | | D9501 | MA22D39-X | SB DIODE | | |
| R4545 | NRSA63J-102X | MG RESISTOR | 1kΩ 1/16W J | | D9812 | MA8033-X | Z DIODE | | |
| R4546 | NRSA63J-752X | MG RESISTOR | 7.5kΩ 1/16W J | | | | | | |
| R4547 | NRSA63J-472X | MG RESISTOR | 4.7kΩ 1/16W J | | | | | | |
| CN401 | NNZ0230-003 | CAR CONNECTOR | | | C8301 | NBE20JM-476X | TA E CAPACITOR | 47uF 6.3V M | |
| CN402 | QGA1002F1-02X | CONNECTOR | W-B (1-2) | | C8302 | NCB31CK-104X | C CAPACITOR | 0.1uF 16V K | |
| CN411 | QGB0815J1-60X | CONNECTOR | B-B (1-60) | | C8303 | NBE20JM-476X | TA E CAPACITOR | 47uF 6.3V M | |
| CN412 | QGB1004J4-30X | CONNECTOR | B-B (1-30) | | C8304 | NCB31CK-104X | C CAPACITOR | 0.1uF 16V K | |
| CN421 | QGB0815J1-60X | CONNECTOR | B-B (1-60) | | C8305 | NDC31HJ-150X-G | C CAPACITOR | 15pF 50V J | |
| CN422 | QGB1004J4-30X | CONNECTOR | B-B (1-30) | | C8306 | NCB31HK-103X | C CAPACITOR | 0.01uF 50V K | |
| CN451 | QGB2027L9-30X | CONNECTOR | B-B (1-30) | | C8501 | NCB31HK-103X | C CAPACITOR | 0.01uF 50V K | |
| CN461 | QGF0534F3-50X | CONNECTOR | FFC/FPC (1-50) | | C8504 | NCB31HK-103X | C CAPACITOR | 0.01uF 50V K | |
| CN491 | QGA1002F1-02X | CONNECTOR | W-B (1-2) | | C8505 | NCJ11EK-106X-R | C CAPACITOR | 10uF 25V | |
| EP401 | NNZ0165-001X | EARTH TERMINAL | | | C8601 | NDC31HJ-101X | C CAPACITOR | 100pF 50V J | |
| EP402 | NNZ0165-001X | EARTH TERMINAL | | | C8602 | NDC31HJ-101X | C CAPACITOR | 100pF 50V J | |
| EP403 | NNZ0165-001X | EARTH TERMINAL | | | C8603 | NDC31HJ-101X | C CAPACITOR | 100pF 50V J | |
| EP451 | NNZ0165-001X | EARTH TERMINAL | | | C8604 | NCB31HK-102X | C CAPACITOR | 1000pF 50V K | |
| EP452 | NNZ0165-001X | EARTH TERMINAL | | | C9031 | NCB31CK-104X | C CAPACITOR | 0.1uF 16V K | |
| EP453 | NNZ0165-001X | EARTH TERMINAL | | | C9061 | NCB31CK-104X | C CAPACITOR | 0.1uF 16V K | |
| EP454 | NNZ0165-001X | EARTH TERMINAL | | | C9062 | NDC31HJ-8R0X | C CAPACITOR | 8pF 50V J | |

Panel board

Block No. [0][9]

| △ Symbol No. | Part No. | Part Name | Description | Local |
|--------------|-----------------|----------------|--------------|-------|
| IC801 | BU21010MUV-X | IC | | |
| IC901 | JVM4233 | IC(MCU) | | |
| IC921 | KE455U2557MFP | IC | | |
| IC941 | NJM072BV-X | IC | | |
| IC945 | TC74VHCT04AFT-X | IC | | |
| IC951 | TPS61500PWP-X | IC | | |
| IC952 | TC7S08FU-X | IC C.M. | | |
| IC970 | TC4066BFT-X | IC(DIGITAL) | | |
| IC973 | NJM4565E-X | IC | | |
| IC975 | TC4066BFT-X | IC(DIGITAL) | | |
| IC980 | NAU0004-005 | RF MODULE | | |
| IC983 | NJM4565E-X | IC | | |
| IC985 | NJM2229M-X | IC | | |
| IC986 | NJM2505AF-X | IC | | |
| IC987 | NJM2505AF-X | IC | | |
| IC991 | BA50BC0FP-X | IC | | |
| IC992 | NJM2871BF33-X | IC | | |
| IC993 | BA00BC0WFP-X | IC(DIGITAL) | | |
| Q9101 | 2SA2119K-X | TRANSISTOR | | |
| Q9102 | 2SC5938A/B/-X | TRANSISTOR | | |
| Q9111 | 2SA2119K-X | TRANSISTOR | | |
| C9131 | NCB31HK-103X | C CAPACITOR | 0.01uF 50V K | |
| C9132 | NCB31HK-103X | C CAPACITOR | 0.01uF 50V K | |
| C9133 | NCB31HK-103X | C CAPACITOR | 0.01uF 50V K | |
| C9134 | NCB31HK-103X | C CAPACITOR | 0.01uF 50V K | |
| C9201 | NCB31CK-104X | C CAPACITOR | 0.1uF 16V K | |
| C9202 | NCB31CK-104X | C CAPACITOR | 0.1uF 16V K | |
| C9231 | NCB31CK-104X | C CAPACITOR | 0.1uF 16V K | |
| C9232 | NCB31CK-104X | C CAPACITOR | 0.1uF 16V K | |
| C9233 | NCB31CK-104X | C CAPACITOR | 0.1uF 16V K | |
| C9234 | NCB31CK-104X | C CAPACITOR | 0.1uF 16V K | |
| C9261 | NCB31CK-104X | C CAPACITOR | 0.1uF 16V K | |
| C9262 | NCB31CK-104X | C CAPACITOR | 0.1uF 16V K | |
| C9291 | NCB31CK-104X | C CAPACITOR | 0.1uF 16V K | |
| C9292 | NCB31CK-104X | C CAPACITOR | 0.1uF 16V K | |
| C9301 | NBE41AM-226X | TA E CAPACITOR | 22uF 10V M | |
| C9401 | NBE41DM-106X | TA E CAPACITOR | 10uF 20V M | |
| C9402 | NCJ11EK-106X-R | C CAPACITOR | 10uF 25V | |
| C9403 | NCB31CK-104X | C CAPACITOR | 0.1uF 16V K | |
| C9404 | NCB31CK-104X | C CAPACITOR | 0.1uF 16V K | |
| C9405 | NCB31EK-104X | C CAPACITOR | 0.1uF 25V K | |
| C9406 | NCJ11EK-106X-R | C CAPACITOR | 10uF 25V | |
| C9407 | NCB31EK-104X | C CAPACITOR | 0.1uF 25V K | |
| C9408 | NCJ11EK-106X-R | C CAPACITOR | 10uF 25V | |
| C9409 | NCB31AK-474X | C CAPACITOR | 0.47uF 10V K | |
| C9410 | NCB31HK-104X | C CAPACITOR | 0.1uF 50V K | |
| C9411 | NCB31CK-104X | C CAPACITOR | 0.1uF 16V K | |

| △ Symbol No. | Part No. | Part Name | Description | Local | △ Symbol No. | Part No. | Part Name | Description | Local |
|--------------|----------------|----------------|---------------|-------|--------------|--------------|-------------|---------------|-------|
| C9451 | NCB31CK-104X | C CAPACITOR | 0.1uF 16V K | | R8303 | NRSA63J-222X | MG RESISTOR | 2.2kΩ 1/16W J | |
| C9481 | NCB31CK-104X | C CAPACITOR | 0.1uF 16V K | | R8304 | NRSA63J-222X | MG RESISTOR | 2.2kΩ 1/16W J | |
| C9482 | NCB31HK-104X | C CAPACITOR | 0.1uF 50V K | | R8305 | NRSA63J-222X | MG RESISTOR | 2.2kΩ 1/16W J | |
| C9483 | NCB31CK-104X | C CAPACITOR | 0.1uF 16V K | | R8306 | NRSA63J-222X | MG RESISTOR | 2.2kΩ 1/16W J | |
| C9484 | NCB31CK-104X | C CAPACITOR | 0.1uF 16V K | | R8601 | NRSA63J-104X | MG RESISTOR | 100kΩ 1/16W J | |
| C9501 | NBE41DM-106X | TA E CAPACITOR | 10uF 20V M | | R8602 | NRSA63J-104X | MG RESISTOR | 100kΩ 1/16W J | |
| C9502 | NCJ11EK-106X-R | C CAPACITOR | 10uF 25V | | R8603 | NRSA63J-104X | MG RESISTOR | 100kΩ 1/16W J | |
| C9503 | NCJ11EK-106X-R | C CAPACITOR | 10uF 25V | | R9001 | NRSA63J-101X | MG RESISTOR | 100Ω 1/16W J | |
| C9504 | NCB31CK-105X | C CAPACITOR | 1uF 16V K | | R9002 | NRSA63J-101X | MG RESISTOR | 100Ω 1/16W J | |
| C9505 | NCB31EK-223X | C CAPACITOR | 0.022uF 25V K | | R9003 | NRSA63J-102X | MG RESISTOR | 1kΩ 1/16W J | |
| C9507 | NCB31CK-474X | C CAPACITOR | 0.47uF 16V K | | R9004 | NRSA63J-102X | MG RESISTOR | 1kΩ 1/16W J | |
| C9508 | NEAG1CM-476X | E CAPACITOR | 47uF 16V M | | R9005 | NRSA63J-102X | MG RESISTOR | 1kΩ 1/16W J | |
| C9509 | NEAG1CM-476X | E CAPACITOR | 47uF 16V M | | R9006 | NRSA63J-102X | MG RESISTOR | 1kΩ 1/16W J | |
| C9510 | NEAF1CM-107X | E CAPACITOR | 100uF 16V M | | R9007 | NRSA63J-102X | MG RESISTOR | 1kΩ 1/16W J | |
| C9511 | NEAG1CM-476X | E CAPACITOR | 47uF 16V M | | R9008 | NRSA63J-102X | MG RESISTOR | 1kΩ 1/16W J | |
| C9512 | NCB31CK-104X | C CAPACITOR | 0.1uF 16V K | | R9009 | NRSA63J-102X | MG RESISTOR | 1kΩ 1/16W J | |
| C9513 | NCJ11EK-106X-R | C CAPACITOR | 10uF 25V | | R9010 | NRSA63J-102X | MG RESISTOR | 1kΩ 1/16W J | |
| C9514 | NCJ11EK-106X-R | C CAPACITOR | 10uF 25V | | R9011 | NRSA63J-102X | MG RESISTOR | 1kΩ 1/16W J | |
| C9515 | NCJ11EK-106X-R | C CAPACITOR | 10uF 25V | | R9012 | NRSA63J-0R0X | MG RESISTOR | 0Ω 1/10W J | |
| C9516 | NCJ11EK-106X-R | C CAPACITOR | 10uF 25V | | R9013 | NRSA63J-472X | MG RESISTOR | 4.7kΩ 1/16W J | |
| C9702 | NCB31CK-104X | C CAPACITOR | 0.1uF 16V K | | R9014 | NRSA63J-472X | MG RESISTOR | 4.7kΩ 1/16W J | |
| C9703 | NCJ21CK-106X-R | C CAPACITOR | 10uF 16V K | | R9015 | NRSA63J-103X | MG RESISTOR | 10kΩ 1/16W J | |
| C9704 | NCJ21CK-106X-R | C CAPACITOR | 10uF 16V K | | R9021 | NRSA63J-0R0X | MG RESISTOR | 0Ω 1/10W J | |
| C9705 | NCB31HK-103X | C CAPACITOR | 0.01uF 50V K | | R9022 | NRSA63J-102X | MG RESISTOR | 1kΩ 1/16W J | |
| C9731 | NCB31CK-104X | C CAPACITOR | 0.1uF 16V K | | R9023 | NRSA63J-102X | MG RESISTOR | 1kΩ 1/16W J | |
| C9733 | NBE41AM-476X | TA E CAPACITOR | 47uF 10V M | | R9024 | NRSA63J-102X | MG RESISTOR | 1kΩ 1/16W J | |
| C9736 | NCB31CK-105X | C CAPACITOR | 1uF 16V K | | R9025 | NRSA63J-102X | MG RESISTOR | 1kΩ 1/16W J | |
| C9737 | NCB31CK-105X | C CAPACITOR | 1uF 16V K | | R9026 | NRSA63J-561X | MG RESISTOR | 560Ω 1/16W J | |
| C9742 | NCB31CK-105X | C CAPACITOR | 1uF 16V K | | R9027 | NRSA63J-561X | MG RESISTOR | 560Ω 1/16W J | |
| C9743 | NCB31CK-105X | C CAPACITOR | 1uF 16V K | | R9028 | NRSA63J-101X | MG RESISTOR | 100Ω 1/16W J | |
| C9744 | NDC31HJ-101X | C CAPACITOR | 100pF 50V J | | R9029 | NRSA63J-102X | MG RESISTOR | 1kΩ 1/16W J | |
| C9745 | NDC31HJ-101X | C CAPACITOR | 100pF 50V J | | R9030 | NRSA63J-102X | MG RESISTOR | 1kΩ 1/16W J | |
| C9746 | NDC31HJ-101X | C CAPACITOR | 100pF 50V J | | R9033 | NRSA63J-103X | MG RESISTOR | 10kΩ 1/16W J | |
| C9747 | NDC31HJ-101X | C CAPACITOR | 100pF 50V J | | R9041 | NRSA63J-102X | MG RESISTOR | 1kΩ 1/16W J | |
| C9752 | NCB31CK-104X | C CAPACITOR | 0.1uF 16V K | | R9042 | NRSA63J-102X | MG RESISTOR | 1kΩ 1/16W J | |
| C9801 | NEAF0JM-107X | E CAPACITOR | 100uF 6.3V M | | R9043 | NRSA63J-102X | MG RESISTOR | 1kΩ 1/16W J | |
| C9802 | NCB31CK-104X | C CAPACITOR | 0.1uF 16V K | | R9044 | NRSA63J-102X | MG RESISTOR | 1kΩ 1/16W J | |
| C9811 | NCB31CK-105X | C CAPACITOR | 1uF 16V K | | R9045 | NRSA63J-102X | MG RESISTOR | 1kΩ 1/16W J | |
| C9812 | NCB31CK-105X | C CAPACITOR | 1uF 16V K | | R9049 | NRSA63J-102X | MG RESISTOR | 1kΩ 1/16W J | |
| C9813 | NCB31CK-105X | C CAPACITOR | 1uF 16V K | | R9050 | NRSA63J-102X | MG RESISTOR | 1kΩ 1/16W J | |
| C9814 | NCB31CK-105X | C CAPACITOR | 1uF 16V K | | R9051 | NRSA63J-102X | MG RESISTOR | 1kΩ 1/16W J | |
| C9815 | NCB31HK-103X | C CAPACITOR | 0.01uF 50V K | | R9052 | NRSA63J-102X | MG RESISTOR | 1kΩ 1/16W J | |
| C9831 | NCB31CK-104X | C CAPACITOR | 0.1uF 16V K | | R9053 | NRSA63J-822X | MG RESISTOR | 8.2kΩ 1/16W J | |
| C9833 | NBE41AM-226X | TA E CAPACITOR | 22uF 10V M | | R9062 | NRSA63J-103X | MG RESISTOR | 10kΩ 1/16W J | |
| C9834 | NCB31CK-105X | C CAPACITOR | 1uF 16V K | | R9063 | NRSA63J-103X | MG RESISTOR | 10kΩ 1/16W J | |
| C9836 | NCB31CK-105X | C CAPACITOR | 1uF 16V K | | R9064 | NRSA63J-222X | MG RESISTOR | 2.2kΩ 1/16W J | |
| C9838 | NDC31HJ-101X | C CAPACITOR | 100pF 50V J | | R9065 | NRSA63J-102X | MG RESISTOR | 1kΩ 1/16W J | |
| C9840 | NDC31HJ-331X | C CAPACITOR | 330pF 50V J | | R9066 | NRSA63J-472X | MG RESISTOR | 4.7kΩ 1/16W J | |
| C9842 | NDC31HJ-101X | C CAPACITOR | 100pF 50V J | | R9067 | NRSA63J-473X | MG RESISTOR | 47kΩ 1/16W J | |
| C9851 | NBE51CM-476X | TA E CAPACITOR | 47uF 16V M | | R9068 | NRSA63J-102X | MG RESISTOR | 1kΩ 1/16W J | |
| C9852 | NCB31CK-104X | C CAPACITOR | 0.1uF 16V K | | R9081 | NRSA63J-0R0X | MG RESISTOR | 0Ω 1/10W J | |
| C9853 | NCB31HK-103X | C CAPACITOR | 0.01uF 50V K | | R9082 | NRSA63J-0R0X | MG RESISTOR | 0Ω 1/10W J | |
| C9854 | NDC31HJ-101X | C CAPACITOR | 100pF 50V J | | R9091 | NRSA02J-101X | MG RESISTOR | 100Ω 1/10W J | |
| C9855 | NCB31HK-102X | C CAPACITOR | 1000pF 50V K | | R9101 | NRSA63J-332X | MG RESISTOR | 3.3kΩ 1/16W J | |
| C9856 | NCB31HK-102X | C CAPACITOR | 1000pF 50V K | | R9102 | NRSA63J-223X | MG RESISTOR | 22kΩ 1/16W J | |
| C9857 | NBE41AM-106X | TA E CAPACITOR | 10uF 10V M | | R9103 | NRSA63J-222X | MG RESISTOR | 2.2kΩ 1/16W J | |
| C9861 | NCB31CK-105X | C CAPACITOR | 1uF 16V K | | R9104 | NRSA63J-332X | MG RESISTOR | 3.3kΩ 1/16W J | |
| C9862 | NCB31CK-105X | C CAPACITOR | 1uF 16V K | | R9105 | NRSA63J-223X | MG RESISTOR | 22kΩ 1/16W J | |
| C9863 | NCB31CK-105X | C CAPACITOR | 1uF 16V K | | R9106 | NRSA63J-222X | MG RESISTOR | 2.2kΩ 1/16W J | |
| C9871 | NBE41CM-226X | TA E CAPACITOR | 22uF 16V M | | R9107 | NRSA63J-474X | MG RESISTOR | 470kΩ 1/16W J | |
| C9872 | NCB31CK-105X | C CAPACITOR | 1uF 16V K | | R9111 | NRSA63J-332X | MG RESISTOR | 3.3kΩ 1/16W J | |
| C9873 | NCJ21CK-106X-R | C CAPACITOR | 10uF 16V K | | R9112 | NRSA63J-223X | MG RESISTOR | 22kΩ 1/16W J | |
| C9874 | NCJ21CK-106X-R | C CAPACITOR | 10uF 16V K | | R9113 | NRSA63J-222X | MG RESISTOR | 2.2kΩ 1/16W J | |
| C9911 | NBE51CM-476X | TA E CAPACITOR | 47uF 16V M | | R9114 | NRSA63J-332X | MG RESISTOR | 3.3kΩ 1/16W J | |
| C9912 | NCB31CK-104X | C CAPACITOR | 0.1uF 16V K | | R9115 | NRSA63J-223X | MG RESISTOR | 22kΩ 1/16W J | |
| C9913 | NBE41CM-226X | TA E CAPACITOR | 22uF 16V M | | R9116 | NRSA63J-222X | MG RESISTOR | 2.2kΩ 1/16W J | |
| C9914 | NCB31HK-103X | C CAPACITOR | 0.01uF 50V K | | R9117 | NRSA63J-474X | MG RESISTOR | 470kΩ 1/16W J | |
| C9921 | NCB31CK-104X | C CAPACITOR | 0.1uF 16V K | | R9122 | NRSA63J-223X | MG RESISTOR | 22kΩ 1/16W J | |
| C9922 | NBE41AM-226X | TA E CAPACITOR | 22uF 10V M | | R9123 | NRSA63J-223X | MG RESISTOR | 22kΩ 1/16W J | |
| C9923 | NCB31CK-104X | C CAPACITOR | 0.1uF 16V K | | R9125 | NRSA63J-222X | MG RESISTOR | 2.2kΩ 1/16W J | |
| C9924 | NCB31HK-103X | C CAPACITOR | 0.01uF 50V K | | R9201 | NRSA63J-101X | MG RESISTOR | 100Ω 1/16W J | |
| C9931 | NCB31CK-104X | C CAPACITOR | 0.1uF 16V K | | R9202 | NRSA63J-101X | MG RESISTOR | 100Ω 1/16W J | |
| C9932 | NBE41DM-106X | TA E CAPACITOR | 10uF 20V M | | R9203 | NRSA63J-101X | MG RESISTOR | 100Ω 1/16W J | |
| C9933 | NCJ11EK-106X-R | C CAPACITOR | 10uF 25V | | R9204 | NRSA63J-101X | MG RESISTOR | 100Ω 1/16W J | |
| C9934 | NCJ11EK-106X-R | C CAPACITOR | 10uF 25V | | R9205 | NRSA63J-101X | MG RESISTOR | 100Ω 1/16W J | |
| | | | | | R9206 | NRSA63J-101X | MG RESISTOR | 100Ω 1/16W J | |
| R8301 | NRSA63J-101X | MG RESISTOR | 100Ω 1/16W J | | R9210 | NRSA63J-101X | MG RESISTOR | 100Ω 1/16W J | |
| R8302 | NRSA63J-101X | MG RESISTOR | 100Ω 1/16W J | | R9211 | NRSA63J-101X | MG RESISTOR | 100Ω 1/16W J | |

| △ Symbol No. | Part No. | Part Name | Description | Local | △ Symbol No. | Part No. | Part Name | Description | Local |
|--------------|--------------|-------------|---------------|-------|--------------|--------------|-------------|---------------|-------|
| R9212 | NRSA63J-101X | MG RESISTOR | 100Ω 1/16W J | | R9461 | NRSA63D-240X | MG RESISTOR | 24Ω 1/16W D | |
| R9213 | NRSA63J-101X | MG RESISTOR | 100Ω 1/16W J | | R9462 | NRSA63D-221X | MG RESISTOR | 220Ω 1/16W D | |
| R9214 | NRSA63J-101X | MG RESISTOR | 100Ω 1/16W J | | R9463 | NRSA63D-820X | MG RESISTOR | 82Ω 1/16W D | |
| R9215 | NRSA63J-101X | MG RESISTOR | 100Ω 1/16W J | | R9464 | NRSA63D-470X | MG RESISTOR | 47Ω 1/16W D | |
| R9219 | NRSA63J-101X | MG RESISTOR | 100Ω 1/16W J | | R9465 | NRSA63D-390X | MG RESISTOR | 39Ω 1/16W D | |
| R9220 | NRSA63J-101X | MG RESISTOR | 100Ω 1/16W J | | R9466 | NRSA63D-430X | MG RESISTOR | 43Ω 1/16W D | |
| R9221 | NRSA63J-101X | MG RESISTOR | 100Ω 1/16W J | | R9467 | NRSA63D-470X | MG RESISTOR | 47Ω 1/16W D | |
| R9222 | NRSA63J-101X | MG RESISTOR | 100Ω 1/16W J | | R9468 | NRSA63D-680X | MG RESISTOR | 68Ω 1/16W D | |
| R9223 | NRSA63J-101X | MG RESISTOR | 100Ω 1/16W J | | R9469 | NRSA63D-161X | MG RESISTOR | 160Ω 1/16W D | |
| R9224 | NRSA63J-101X | MG RESISTOR | 100Ω 1/16W J | | R9470 | NRSA63D-201X | MG RESISTOR | 200Ω 1/16W D | |
| R9232 | NRSA63J-101X | MG RESISTOR | 100Ω 1/16W J | | R9471 | NRSA63D-100X | MG RESISTOR | 10Ω 1/16W D | |
| R9233 | NRSA63J-101X | MG RESISTOR | 100Ω 1/16W J | | R9472 | NRSA63D-100X | MG RESISTOR | 10Ω 1/16W D | |
| R9234 | NRSA63J-101X | MG RESISTOR | 100Ω 1/16W J | | R9501 | NRSA63J-205X | MG RESISTOR | 2MΩ 1/16W J | |
| R9235 | NRSA63J-101X | MG RESISTOR | 100Ω 1/16W J | | R9502 | NRSA63J-134X | MG RESISTOR | 130kΩ 1/16W J | |
| R9236 | NRSA63J-101X | MG RESISTOR | 100Ω 1/16W J | | R9503 | NRSA63J-2R0X | MG RESISTOR | 2Ω 1/16W J | |
| R9240 | NRSA63J-101X | MG RESISTOR | 100Ω 1/16W J | | R9504 | NRSA63J-2R0X | MG RESISTOR | 2Ω 1/16W J | |
| R9247 | NRSA63J-103X | MG RESISTOR | 10kΩ 1/16W J | | R9505 | NRSA63D-392X | MG RESISTOR | 3.9kΩ 1/16W D | |
| R9248 | NRSA63J-103X | MG RESISTOR | 10kΩ 1/16W J | | R9506 | NRSA63D-393X | MG RESISTOR | 39kΩ 1/16W D | |
| R9251 | NRSA63J-103X | MG RESISTOR | 10kΩ 1/16W J | | R9507 | NRSA63J-0R0X | MG RESISTOR | 0Ω 1/10W J | |
| R9253 | NRSA63J-103X | MG RESISTOR | 10kΩ 1/16W J | | R9511 | NRSA63J-222X | MG RESISTOR | 2.2kΩ 1/16W J | |
| R9255 | NRSA63J-103X | MG RESISTOR | 10kΩ 1/16W J | | R9512 | NRSA63J-222X | MG RESISTOR | 2.2kΩ 1/16W J | |
| R9256 | NRSA63J-102X | MG RESISTOR | 1kΩ 1/16W J | | R9513 | NRSA63J-102X | MG RESISTOR | 1kΩ 1/16W J | |
| R9257 | NRSA63J-101X | MG RESISTOR | 100Ω 1/16W J | | R9514 | NRSA63J-1R0X | MG RESISTOR | 1Ω 1/16W J | |
| R9261 | NRSA63J-101X | MG RESISTOR | 100Ω 1/16W J | | R9515 | NRSA63J-1R0X | MG RESISTOR | 1Ω 1/16W J | |
| R9262 | NRSA63J-101X | MG RESISTOR | 100Ω 1/16W J | | R9516 | NRSA63J-102X | MG RESISTOR | 1kΩ 1/16W J | |
| R9263 | NRSA63J-101X | MG RESISTOR | 100Ω 1/16W J | | R9601 | NRSA02J-682X | MG RESISTOR | 6.8kΩ 1/10W J | |
| R9264 | NRSA63J-101X | MG RESISTOR | 100Ω 1/16W J | | R9602 | NRSA02J-222X | MG RESISTOR | 2.2kΩ 1/10W J | |
| R9265 | NRSA63J-101X | MG RESISTOR | 100Ω 1/16W J | | R9603 | NRSA02J-332X | MG RESISTOR | 3.3kΩ 1/10W J | |
| R9266 | NRSA63J-101X | MG RESISTOR | 100Ω 1/16W J | | R9701 | NRSA63J-101X | MG RESISTOR | 100Ω 1/16W J | |
| R9268 | NRSA63J-101X | MG RESISTOR | 100Ω 1/16W J | | R9702 | NRSA63J-101X | MG RESISTOR | 100Ω 1/16W J | |
| R9269 | NRSA63J-101X | MG RESISTOR | 100Ω 1/16W J | | R9703 | NRSA63J-101X | MG RESISTOR | 100Ω 1/16W J | |
| R9270 | NRSA63J-101X | MG RESISTOR | 100Ω 1/16W J | | R9704 | NRSA63J-224X | MG RESISTOR | 220kΩ 1/16W J | |
| R9271 | NRSA63J-101X | MG RESISTOR | 100Ω 1/16W J | | R9706 | NRSA63J-224X | MG RESISTOR | 220kΩ 1/16W J | |
| R9272 | NRSA63J-101X | MG RESISTOR | 100Ω 1/16W J | | R9710 | NRSA63J-224X | MG RESISTOR | 220kΩ 1/16W J | |
| R9273 | NRSA63J-101X | MG RESISTOR | 100Ω 1/16W J | | R9712 | NRSA63J-103X | MG RESISTOR | 10kΩ 1/16W J | |
| R9275 | NRSA63J-101X | MG RESISTOR | 100Ω 1/16W J | | R9713 | NRSA63J-103X | MG RESISTOR | 10kΩ 1/16W J | |
| R9276 | NRSA63J-101X | MG RESISTOR | 100Ω 1/16W J | | R9714 | NRSA63J-222X | MG RESISTOR | 2.2kΩ 1/16W J | |
| R9277 | NRSA63J-101X | MG RESISTOR | 100Ω 1/16W J | | R9715 | NRSA63J-103X | MG RESISTOR | 10kΩ 1/16W J | |
| R9278 | NRSA63J-101X | MG RESISTOR | 100Ω 1/16W J | | R9716 | NRSA63J-750X | MG RESISTOR | 75Ω 1/16W J | |
| R9279 | NRSA63J-101X | MG RESISTOR | 100Ω 1/16W J | | R9717 | NRSA63J-222X | MG RESISTOR | 2.2kΩ 1/16W J | |
| R9280 | NRSA63J-101X | MG RESISTOR | 100Ω 1/16W J | | R9718 | NRSA63J-222X | MG RESISTOR | 2.2kΩ 1/16W J | |
| R9281 | NRSA63J-101X | MG RESISTOR | 100Ω 1/16W J | | R9719 | NRSA63J-103X | MG RESISTOR | 10kΩ 1/16W J | |
| R9282 | NRSA63J-101X | MG RESISTOR | 100Ω 1/16W J | | R9720 | NRSA63J-750X | MG RESISTOR | 75Ω 1/16W J | |
| R9284 | NRSA63J-101X | MG RESISTOR | 100Ω 1/16W J | | R9721 | NRSA63J-222X | MG RESISTOR | 2.2kΩ 1/16W J | |
| R9292 | NRSA63J-103X | MG RESISTOR | 10kΩ 1/16W J | | R9723 | NRSA63J-0R0X | MG RESISTOR | 0Ω 1/10W J | |
| R9298 | NRSA63J-103X | MG RESISTOR | 10kΩ 1/16W J | | R9731 | NRSA63J-103X | MG RESISTOR | 10kΩ 1/16W J | |
| R9299 | NRSA63J-103X | MG RESISTOR | 10kΩ 1/16W J | | R9732 | NRSA63J-103X | MG RESISTOR | 10kΩ 1/16W J | |
| R9300 | NRSA63J-103X | MG RESISTOR | 10kΩ 1/16W J | | R9733 | NRSA63J-223X | MG RESISTOR | 22kΩ 1/16W J | |
| R9301 | NRSA63J-103X | MG RESISTOR | 10kΩ 1/16W J | | R9734 | NRSA63J-223X | MG RESISTOR | 22kΩ 1/16W J | |
| R9302 | NRSA63J-103X | MG RESISTOR | 10kΩ 1/16W J | | R9735 | NRSA63J-303X | MG RESISTOR | 30kΩ 1/16W J | |
| R9306 | NRSA63J-101X | MG RESISTOR | 100Ω 1/16W J | | R9736 | NRSA63J-303X | MG RESISTOR | 30kΩ 1/16W J | |
| R9307 | NRSA63J-103X | MG RESISTOR | 10kΩ 1/16W J | | R9737 | NRSA63J-104X | MG RESISTOR | 100kΩ 1/16W J | |
| R9308 | NRSA63J-103X | MG RESISTOR | 10kΩ 1/16W J | | R9743 | NRSA63J-303X | MG RESISTOR | 30kΩ 1/16W J | |
| R9309 | NRSA63J-101X | MG RESISTOR | 100Ω 1/16W J | | R9744 | NRSA63J-303X | MG RESISTOR | 30kΩ 1/16W J | |
| R9310 | NRSA63J-101X | MG RESISTOR | 100Ω 1/16W J | | R9745 | NRSA63J-223X | MG RESISTOR | 22kΩ 1/16W J | |
| R9311 | NRSA63J-101X | MG RESISTOR | 100Ω 1/16W J | | R9746 | NRSA63J-223X | MG RESISTOR | 22kΩ 1/16W J | |
| R9316 | NRSA63J-101X | MG RESISTOR | 100Ω 1/16W J | | R9753 | NRSA63J-103X | MG RESISTOR | 10kΩ 1/16W J | |
| R9322 | NRSA63J-0R0X | MG RESISTOR | 0Ω 1/10W J | | R9754 | NRSA63J-103X | MG RESISTOR | 10kΩ 1/16W J | |
| R9401 | NRSA63D-103X | MG RESISTOR | 10kΩ 1/16W D | | R9811 | NRSA63J-331X | MG RESISTOR | 330Ω 1/16W J | |
| R9402 | NRSA63D-103X | MG RESISTOR | 10kΩ 1/16W D | | R9812 | NRSA63J-331X | MG RESISTOR | 330Ω 1/16W J | |
| R9403 | NRSA63D-223X | MG RESISTOR | 22kΩ 1/16W D | | R9813 | NRSA63J-331X | MG RESISTOR | 330Ω 1/16W J | |
| R9404 | NRSA63J-390X | MG RESISTOR | 39Ω 1/16W J | | R9814 | NRSA63J-331X | MG RESISTOR | 330Ω 1/16W J | |
| R9405 | NRSA63J-104X | MG RESISTOR | 100kΩ 1/16W J | | R9818 | NRSA63J-0R0X | MG RESISTOR | 0Ω 1/10W J | |
| R9406 | NRSA63D-183X | MG RESISTOR | 18kΩ 1/16W D | | R9819 | NRSA63J-0R0X | MG RESISTOR | 0Ω 1/10W J | |
| R9407 | NRSA63J-474X | MG RESISTOR | 470kΩ 1/16W J | | R9820 | NRSA63J-0R0X | MG RESISTOR | 0Ω 1/10W J | |
| R9408 | NRSA63J-474X | MG RESISTOR | 470kΩ 1/16W J | | R9831 | NRSA63J-104X | MG RESISTOR | 100kΩ 1/16W J | |
| R9409 | NRSA63J-101X | MG RESISTOR | 100Ω 1/16W J | | R9832 | NRSA63J-104X | MG RESISTOR | 100kΩ 1/16W J | |
| R9410 | NRSA63J-103X | MG RESISTOR | 10kΩ 1/16W J | | R9833 | NRSA63J-243X | MG RESISTOR | 24kΩ 1/16W J | |
| R9411 | NRSA63J-103X | MG RESISTOR | 10kΩ 1/16W J | | R9835 | NRSA63J-243X | MG RESISTOR | 24kΩ 1/16W J | |
| R9412 | NRSA63J-390X | MG RESISTOR | 39Ω 1/16W J | | R9837 | NRSA63J-223X | MG RESISTOR | 22kΩ 1/16W J | |
| R9413 | NRSA63J-2R2X | MG RESISTOR | 2.2Ω 1/16W J | | R9839 | NRSA63J-223X | MG RESISTOR | 22kΩ 1/16W J | |
| R9414 | NRSA63J-2R2X | MG RESISTOR | 2.2Ω 1/16W J | | R9852 | NRSA63J-684X | MG RESISTOR | 680kΩ 1/16W J | |
| R9415 | NRSA63J-390X | MG RESISTOR | 39Ω 1/16W J | | R9853 | NRSA63J-302X | MG RESISTOR | 3kΩ 1/16W J | |
| R9416 | NRSA63D-473X | MG RESISTOR | 47kΩ 1/16W D | | R9854 | NRSA63J-103X | MG RESISTOR | 10kΩ 1/16W J | |
| R9417 | NRSA63D-243X | MG RESISTOR | 24kΩ 1/16W D | | R9855 | NRSA63J-333X | MG RESISTOR | 33kΩ 1/16W J | |
| R9418 | NRSA63J-103X | MG RESISTOR | 10kΩ 1/16W J | | R9856 | NRSA63J-302X | MG RESISTOR | 3kΩ 1/16W J | |
| R9452 | NRSA63J-0R0X | MG RESISTOR | 0Ω 1/10W J | | R9857 | NRSA63J-103X | MG RESISTOR | 10kΩ 1/16W J | |
| R9453 | NRSA63J-0R0X | MG RESISTOR | 0Ω 1/10W J | | R9859 | NRSA63J-103X | MG RESISTOR | 10kΩ 1/16W J | |

| △ Symbol No. | Part No. | Part Name | Description | Local | △ Symbol No. | Part No. | Part Name | Description | Local |
|--------------|----------------|----------------|----------------|-------|--------------|--------------------|------------------|--------------|-------|
| R9861 | NRSA63J-224X | MG RESISTOR | 220kΩ 1/16W J | | IC398 | JVM440B | IC | | |
| R9862 | NRSA63J-224X | MG RESISTOR | 220kΩ 1/16W J | | IC399 | V54C3128164VCI7 | IC | | |
| R9863 | NRSA63J-101X | MG RESISTOR | 100Ω 1/16W J | | IC399 | or M12L128168A-7TG | IC(DIGITAL) | | |
| R9864 | NRSA63J-101X | MG RESISTOR | 100Ω 1/16W J | | IC399 | or HY57V281620FTH | IC(DIGITAL) | | |
| R9871 | NRSA63J-0R0X | MG RESISTOR | 0Ω 1/10W J | | IC400 | AK4387ET-X | IC | | |
| R9874 | NRSA63J-101X | MG RESISTOR | 100Ω 1/16W J | | IC481 | BR24S32FVT-W-X | IC(DIGITAL) | | |
| R9875 | NRSA63J-101X | MG RESISTOR | 100Ω 1/16W J | | IC501 | TC74LCX373FT-X | IC(DIGITAL) | | |
| R9876 | NRSA02J-0R0X | MG RESISTOR | 0Ω 1/10W J | | IC502 | TC74LCX373FT-X | IC(DIGITAL) | | |
| R9931 | NRSA63D-133X | MG RESISTOR | 13kΩ 1/16W D | | | | | | |
| R9932 | NRSA63D-222X | MG RESISTOR | 2.2kΩ 1/16W D | | Q2 | RT1N141U-X | DIGI TRANSISTOR | | |
| L8501 | NQR0536-001X | CHOKE COIL | | | Q4 | 2SC3928A/R/-X | TRANSISTOR | | |
| L9001 | NQL79GM-100X | COIL | 10uH M | | Q4 | or 2SD601A/R/-X | TRANSISTOR | | |
| L9201 | NQL79GM-100X | COIL | 10uH M | | Q7 | 2SC3928A/R/-X | TRANSISTOR | | |
| L9401 | NQL79GM-100X | COIL | 10uH M | | Q7 | or 2SD601A/R/-X | TRANSISTOR | | |
| L9402 | NQL79GM-100X | COIL | 10uH M | | Q101 | 2SB1424/R/-W | TRANSISTOR | | |
| L9501 | NQLZ007-101X | CHOKE COIL | 100uH | | Q102 | 2SC4617/R/-X | TRANSISTOR | | |
| L9502 | NQL52EM-100X | COIL | 10uH M | | Q103 | 2SB1424/R/-W | TRANSISTOR | | |
| L9801 | NQL79GM-100X | COIL | 10uH M | | Q104 | 2SC4617/R/-X | TRANSISTOR | | |
| L9851 | NRSA02J-0R0X | MG RESISTOR | 0Ω 1/10W J | | Q105 | 2SC4617/R/-X | TRANSISTOR | | |
| L9861 | NQL79GM-470X | COIL | 47uH M | | Q106 | 2SK3546J-X | MOS FET | | |
| L9871 | NQL79GM-470X | COIL | 47uH M | | Q107 | 2SK3546J-X | MOS FET | | |
| L9911 | NQL79GM-1R0X | COIL | 1uH M | | Q301 | RT1N441U-X | DIGI TRANSISTOR | | |
| | | | | | Q302 | RT1N441U-X | DIGI TRANSISTOR | | |
| CN801 | QGB0525L1-14X | CONNECTOR | B-B (1-14) | | D6 | AN1102W-6-X | IR LED | | |
| CN802 | QGF0536C2-10W | CONNECTOR | FFC/FPC (1-10) | | D7 | AN1102W-6-X | IR LED | | |
| CN841 | QGB0525M1-14X | CONNECTOR | B-B (1-14) | | D9 | PS1192HB-22-X | PHOTO TRANSISTOR | | |
| CN851 | QGF0536C2-07W | CONNECTOR | FFC/FPC (1-7) | | D11 | PS1192HB-22-X | PHOTO TRANSISTOR | | |
| CN861 | QGF0536C2-06W | CONNECTOR | FFC/FPC (1-6) | | | | | | |
| CN901 | QGF0534F3-40X | CONNECTOR | FFC/FPC (1-40) | | | | | | |
| CN902 | QGF0534F3-10X | CONNECTOR | FFC/FPC (1-10) | | | | | | |
| CN911 | QGF1039F2-04X | CONNECTOR | FFC/FPC (1-4) | | C2 | NCB31CK-104X | C CAPACITOR | 0.1uF 16V K | |
| CN921 | QGB0812L2-30X | CONNECTOR | B-B (1-30) | | C3 | NCB31CK-104X | C CAPACITOR | 0.1uF 16V K | |
| CN941 | QGF0534F2-60X | CONNECTOR | FFC/FPC (1-60) | | C4 | NCB31CK-104X | C CAPACITOR | 0.1uF 16V K | |
| CN951 | QGF0568F1-10W | CONNECTOR | FFC/FPC (1-10) | | C5 | NCB31CK-104X | C CAPACITOR | 0.1uF 16V K | |
| CN971 | QGF0534F3-06X | CONNECTOR | FFC/FPC (1-6) | | C6 | NCB31CK-104X | C CAPACITOR | 0.1uF 16V K | |
| EP851 | NNZ0129-001X | EARTH TERMINAL | | | C7 | NCB31CK-104X | C CAPACITOR | 0.1uF 16V K | |
| EP861 | NNZ0129-001X | EARTH TERMINAL | | | C8 | NCB31CK-104X | C CAPACITOR | 0.1uF 16V K | |
| EP991 | NNZ0129-001X | EARTH TERMINAL | | | C9 | NCB31CK-104X | C CAPACITOR | 0.1uF 16V K | |
| EP992 | NNZ0129-001X | EARTH TERMINAL | | | C11 | NCB31CK-104X | C CAPACITOR | 0.1uF 16V K | |
| EP993 | NNZ0129-001X | EARTH TERMINAL | | | C12 | NCB31CK-104X | C CAPACITOR | 0.1uF 16V K | |
| EP994 | NNZ0129-001X | EARTH TERMINAL | | | C13 | NCB31CK-104X | C CAPACITOR | 0.1uF 16V K | |
| EP995 | NNZ0129-001X | EARTH TERMINAL | | | C14 | NCB31CK-104X | C CAPACITOR | 0.1uF 16V K | |
| F9001 | NMFZ018-R75X-E | FUSE | 0.75A | A | C15 | NCB31CK-104X | C CAPACITOR | 0.1uF 16V K | |
| △ F9001 | NMFZ018-R75X-E | FUSE | 0.75A | B | C16 | NCB31CK-104X | C CAPACITOR | 0.1uF 16V K | |
| F9801 | NMFZ018-R75X-E | FUSE | 0.75A | A | C17 | NCB31CK-104X | C CAPACITOR | 0.1uF 16V K | |
| △ F9801 | NMFZ018-R75X-E | FUSE | 0.75A | B | C18 | NCB31CK-104X | C CAPACITOR | 0.1uF 16V K | |
| J8501 | QNZ1007-001 | USB JACK | | | C19 | NCB31CK-104X | C CAPACITOR | 0.1uF 16V K | |
| J8601 | QNS0288-002 | AUX JACK | | | C20 | NCB31CK-104X | C CAPACITOR | 0.1uF 16V K | |
| K8501 | NRSA63J-0R0X | MG RESISTOR | 0Ω 1/10W J | | C21 | NBE41AM-226X | TA E CAPACITOR | 22uF 10V M | |
| K8502 | NRSA63J-0R0X | MG RESISTOR | 0Ω 1/10W J | | C22 | NBE41AM-476X | TA E CAPACITOR | 47uF 10V M | |
| K8503 | NRSA63J-0R0X | MG RESISTOR | 0Ω 1/10W J | | C23 | NBE41AM-476X | TA E CAPACITOR | 47uF 10V M | |
| K8504 | NRSA63J-0R0X | MG RESISTOR | 0Ω 1/10W J | | C24 | NCB31CK-104X | C CAPACITOR | 0.1uF 16V K | |
| K8505 | NRSA63J-0R0X | MG RESISTOR | 0Ω 1/10W J | | C25 | NCB31CK-104X | C CAPACITOR | 0.1uF 16V K | |
| K8601 | NRSA63J-0R0X | MG RESISTOR | 0Ω 1/10W J | | C26 | NCB31CK-104X | C CAPACITOR | 0.1uF 16V K | |
| K8602 | NRSA63J-0R0X | MG RESISTOR | 0Ω 1/10W J | | C31 | NCB31HK-681X | C CAPACITOR | 680pF 50V K | |
| K8603 | NRSA63J-0R0X | MG RESISTOR | 0Ω 1/10W J | | C32 | NCB31HK-561X | C CAPACITOR | 560pF 50V K | |
| K8604 | NRSA63J-0R0X | MG RESISTOR | 0Ω 1/10W J | | C60 | NCB31HK-103X | C CAPACITOR | 0.01uF 50V K | |
| TH901 | NAD0028-103X | N THERMISTOR | 10kΩ | | C63 | NBE20JM-226X | TA E CAPACITOR | 22uF 6.3V M | |
| VA851 | NAF0020-001X | VARISTOR | V | | C65 | NCB31CK-104X | C CAPACITOR | 0.1uF 16V K | |
| VA852 | NAF0019-001X | VARISTOR | V | | C66 | NCB31CK-104X | C CAPACITOR | 0.1uF 16V K | |
| VA853 | NAF0019-001X | VARISTOR | V | | C67 | NCB31HK-103X | C CAPACITOR | 0.01uF 50V K | |
| X9001 | NAX0872-001X | CRYSTAL | | | C68 | NCB31CK-104X | C CAPACITOR | 0.1uF 16V K | |
| | | | | | C69 | NCB21CK-105X | C CAPACITOR | 1uF 16V K | |
| | | | | | C70 | NCB31CK-104X | C CAPACITOR | 0.1uF 16V K | |
| | | | | | C71 | NCB31CK-104X | C CAPACITOR | 0.1uF 16V K | |
| | | | | | C72 | NCB31CK-105X | C CAPACITOR | 1uF 16V K | |
| | | | | | C73 | NCB31CK-104X | C CAPACITOR | 0.1uF 16V K | |
| | | | | | C74 | NCB31CK-104X | C CAPACITOR | 0.1uF 16V K | |
| | | | | | C75 | NCB31CK-104X | C CAPACITOR | 0.1uF 16V K | |
| | | | | | C76 | NCB31CK-104X | C CAPACITOR | 0.1uF 16V K | |
| | | | | | C77 | NCB31CK-104X | C CAPACITOR | 0.1uF 16V K | |
| | | | | | C78 | NCB31CK-104X | C CAPACITOR | 0.1uF 16V K | |
| | | | | | C79 | NCB31CK-104X | C CAPACITOR | 0.1uF 16V K | |
| | | | | | C80 | NCB21CK-105X | C CAPACITOR | 1uF 16V K | |
| | | | | | C81 | NDC31HJ-120X | C CAPACITOR | 12pF 50V J | |
| | | | | | C82 | NDC31HJ-150X | C CAPACITOR | 15pF 50V J | |
| | | | | | C83 | NCB31CK-104X | C CAPACITOR | 0.1uF 16V K | |

Front end board (FMU-XD3-22D)

Block No. [1][0]

| △ Symbol No. | Part No. | Part Name | Description | Local |
|--------------|-----------------|-----------|-------------|-------|
| IC1 | BD8215EFV-X | IC | | |
| IC3 | MM3233CF-X | IC | | |
| IC301 | MM2DS0018MA | IC | | |
| IC302 | MM1701CH-X | IC | | |
| IC304 | S-80828CNNB-G-W | IC | | |

| △ Symbol No. | Part No. | Part Name | Description | Local | △ Symbol No. | Part No. | Part Name | Description | Local |
|--------------|--------------|----------------|---------------|-------|--------------|--------------|---------------|---------------|-------|
| C84 | NCB31CK-333X | C CAPACITOR | 0.033uF 16V K | | C241 | NCB31CK-104X | C CAPACITOR | 0.1uF 16V K | |
| C85 | NCB31CK-104X | C CAPACITOR | 0.1uF 16V K | | R34 | NRSA63J-0R0X | MG RESISTOR | 0Ω 1/10W J | |
| C86 | NCB31CK-104X | C CAPACITOR | 0.1uF 16V K | | R46 | NRSA6AD-103W | MG RESISTOR | 10kΩ 1/16W D | |
| C87 | NCB31CK-104X | C CAPACITOR | 0.1uF 16V K | | R47 | NRSA6AD-103W | MG RESISTOR | 10kΩ 1/16W D | |
| C88 | NCB31CK-104X | C CAPACITOR | 0.1uF 16V K | | R49 | NRSA63J-0R0X | MG RESISTOR | 0Ω 1/10W J | |
| C89 | NCB31HK-183X | C CAPACITOR | 0.018uF 50V K | | R52 | NRSA6AD-103W | MG RESISTOR | 10kΩ 1/16W D | |
| C90 | NCB31HK-562X | C CAPACITOR | 5600pF 50V K | | R54 | NRSA6AD-910W | MG RESISTOR | 91Ω 1/16W D | |
| C91 | NCB31CK-104X | C CAPACITOR | 0.1uF 16V K | | R55 | NRSA6AD-910W | MG RESISTOR | 91Ω 1/16W D | |
| C92 | NCB21CK-105X | C CAPACITOR | 1uF 16V K | | R56 | NRSA63D-432X | MG RESISTOR | 4.3kΩ 1/16W D | |
| C93 | NCB21CK-105X | C CAPACITOR | 1uF 16V K | | R57 | NRSA63D-242X | MG RESISTOR | 2.4kΩ 1/16W D | |
| C99 | NCB31CK-104X | C CAPACITOR | 0.1uF 16V K | | R58 | NRS125J-390X | MG RESISTOR | 39Ω 1/2W J | |
| C100 | NCB31CK-684X | C CAPACITOR | 0.68uF 16V K | | R59 | NRSA63J-2R2X | MG RESISTOR | 2.2Ω 1/16W J | |
| C101 | NCB31CK-104X | C CAPACITOR | 0.1uF 16V K | | R60 | NRSA6AD-102W | MG RESISTOR | 1kΩ 1/16W D | |
| C102 | NCB31CK-684X | C CAPACITOR | 0.68uF 16V K | | R61 | NRSA6AD-471W | MG RESISTOR | 470Ω 1/16W D | |
| C106 | NCB31CK-104X | C CAPACITOR | 0.1uF 16V K | | R62 | NRSA6AD-471W | MG RESISTOR | 470Ω 1/16W D | |
| C109 | NCB21CK-105X | C CAPACITOR | 1uF 16V K | | R64 | NRSA63D-432X | MG RESISTOR | 4.3kΩ 1/16W D | |
| C113 | NCB21CK-105X | C CAPACITOR | 1uF 16V K | | R65 | NRSA63D-242X | MG RESISTOR | 2.4kΩ 1/16W D | |
| C117 | NCB21CK-105X | C CAPACITOR | 1uF 16V K | | R66 | NRS125J-120X | MG RESISTOR | 12Ω 1/2W J | |
| C118 | NCB31HK-103X | C CAPACITOR | 0.01uF 50V K | | R67 | NRSA63J-2R2X | MG RESISTOR | 2.2Ω 1/16W J | |
| C121 | NCB31CK-104X | C CAPACITOR | 0.1uF 16V K | | R68 | NRSA6AD-102W | MG RESISTOR | 1kΩ 1/16W D | |
| C122 | NCB31CK-104X | C CAPACITOR | 0.1uF 16V K | | R69 | NRSA63J-471X | MG RESISTOR | 470Ω 1/16W D | |
| C125 | NCB31CK-104X | C CAPACITOR | 0.1uF 16V K | | R70 | NRSA6AD-331W | MG RESISTOR | 330Ω 1/16W D | |
| C126 | NCB31CK-104X | C CAPACITOR | 0.1uF 16V K | | R79 | NRSA6AD-104W | MG RESISTOR | 100kΩ 1/16W D | |
| C127 | NCB31CK-104X | C CAPACITOR | 0.1uF 16V K | | R92 | NRSA63J-473X | MG RESISTOR | 47kΩ 1/16W J | |
| C128 | NCB31CK-104X | C CAPACITOR | 0.1uF 16V K | | R93 | NRSA63J-203X | MG RESISTOR | 20kΩ 1/16W J | |
| C129 | NCB31CK-104X | C CAPACITOR | 0.1uF 16V K | | R94 | NRSA63J-223X | MG RESISTOR | 22kΩ 1/16W J | |
| C130 | NCB31CK-104X | C CAPACITOR | 0.1uF 16V K | | R99 | NRSA63J-0R0X | MG RESISTOR | 0Ω 1/10W J | |
| C131 | NCB31CK-104X | C CAPACITOR | 0.1uF 16V K | | R100 | NRSA6AD-103W | MG RESISTOR | 10kΩ 1/16W D | |
| C132 | NCB31CK-104X | C CAPACITOR | 0.1uF 16V K | | R107 | NRSA63J-152X | MG RESISTOR | 1.5kΩ 1/16W J | |
| C133 | NCB31CK-104X | C CAPACITOR | 0.1uF 16V K | | R112 | NRSA63J-223X | MG RESISTOR | 22kΩ 1/16W J | |
| C134 | NCB31CK-104X | C CAPACITOR | 0.1uF 16V K | | R117 | NRSA6AD-103W | MG RESISTOR | 10kΩ 1/16W D | |
| C135 | NCB31CK-104X | C CAPACITOR | 0.1uF 16V K | | R120 | NRSA63J-152X | MG RESISTOR | 1.5kΩ 1/16W J | |
| C136 | NCB31CK-104X | C CAPACITOR | 0.1uF 16V K | | R122 | NRSA6AD-103W | MG RESISTOR | 10kΩ 1/16W D | |
| C137 | NBE20JM-226X | TA E CAPACITOR | 22uF 6.3V M | | R128 | NRSA6AD-270W | MG RESISTOR | 27Ω 1/16W D | |
| C139 | NBE20JM-226X | TA E CAPACITOR | 22uF 6.3V M | | R129 | NRSA6AD-103W | MG RESISTOR | 10kΩ 1/16W D | |
| C142 | NDC31HJ-471X | C CAPACITOR | 470pF 50V J | | R131 | NRSA6AD-102W | MG RESISTOR | 1kΩ 1/16W D | |
| C143 | NBE20JM-226X | TA E CAPACITOR | 22uF 6.3V M | | R132 | NRSA6AD-102W | MG RESISTOR | 1kΩ 1/16W D | |
| C145 | NBE41AM-476X | TA E CAPACITOR | 47uF 10V M | | R133 | NRSA6AD-223W | MG RESISTOR | 22kΩ 1/16W D | |
| C148 | NCB31HK-331X | C CAPACITOR | 330pF 50V K | | R135 | NRSA63J-102X | MG RESISTOR | 1kΩ 1/16W J | |
| C149 | NDC31HJ-471X | C CAPACITOR | 470pF 50V J | | R137 | NRSA63J-0R0X | MG RESISTOR | 0Ω 1/10W J | |
| C151 | NCB31CK-473X | C CAPACITOR | 0.047uF 16V K | | R139 | NRSA63J-0R0X | MG RESISTOR | 0Ω 1/10W J | |
| C155 | NDC31HJ-101X | C CAPACITOR | 100pF 50V J | | R141 | NRSA63D-332X | MG RESISTOR | 3.3kΩ 1/16W D | |
| C156 | NCB31CK-104X | C CAPACITOR | 0.1uF 16V K | | R142 | NRSA63J-0R0X | MG RESISTOR | 0Ω 1/10W J | |
| C161 | NDC31HJ-471X | C CAPACITOR | 470pF 50V J | | R143 | NRSA6AD-101W | MG RESISTOR | 100Ω 1/16W D | |
| C162 | NDC31HJ-471X | C CAPACITOR | 470pF 50V J | | R144 | NRSA6AD-103W | MG RESISTOR | 10kΩ 1/16W D | |
| C164 | NCB21CK-105X | C CAPACITOR | 1uF 16V K | | R145 | NRSA6AD-103W | MG RESISTOR | 10kΩ 1/16W D | |
| C167 | NDC31HJ-272X | C CAPACITOR | 2700pF 50V J | | R147 | NRSA63J-104X | MG RESISTOR | 100kΩ 1/16W J | |
| C170 | NCB31CK-104X | C CAPACITOR | 0.1uF 16V K | | R152 | NRSA63J-0R0X | MG RESISTOR | 0Ω 1/10W J | |
| C173 | NCB31CK-104X | C CAPACITOR | 0.1uF 16V K | | R153 | NRSA63D-162X | MG RESISTOR | 1.6kΩ 1/16W D | |
| C174 | NCB31CK-104X | C CAPACITOR | 0.1uF 16V K | | R155 | NRSA63J-0R0X | MG RESISTOR | 0Ω 1/10W J | |
| C175 | NBE51CM-476X | TA E CAPACITOR | 47uF 16V M | | R156 | NRSA63J-0R0X | MG RESISTOR | 0Ω 1/10W J | |
| C176 | NCB31CK-104X | C CAPACITOR | 0.1uF 16V K | | R160 | NRSA63D-303X | MG RESISTOR | 30kΩ 1/16W D | |
| C177 | NCB31CK-104X | C CAPACITOR | 0.1uF 16V K | | R163 | NRSA6AD-103W | MG RESISTOR | 10kΩ 1/16W D | |
| C178 | NCB31CK-104X | C CAPACITOR | 0.1uF 16V K | | R164 | NRSA63J-181X | MG RESISTOR | 180Ω 1/16W J | |
| C197 | NCB31CK-104X | C CAPACITOR | 0.1uF 16V K | | R165 | NRSA6AD-473W | MG RESISTOR | 47kΩ 1/16W D | |
| C199 | NCB31CK-104X | C CAPACITOR | 0.1uF 16V K | | R166 | NRSA6AD-473W | MG RESISTOR | 47kΩ 1/16W D | |
| C200 | NBE40JM-476X | TA E CAPACITOR | 47uF 6.3V M | | R167 | NRSA6AD-473W | MG RESISTOR | 47kΩ 1/16W D | |
| C201 | NCB31CK-104X | C CAPACITOR | 0.1uF 16V K | | R168 | NRSA6AD-473W | MG RESISTOR | 47kΩ 1/16W D | |
| C205 | NCB21AK-225X | C CAPACITOR | 2.2uF 10V K | | R170 | NRSA6AD-471W | MG RESISTOR | 470Ω 1/16W D | |
| C206 | NDC31HJ-222X | C CAPACITOR | 2200pF 50V J | | R171 | NRSA63J-105X | MG RESISTOR | 1MΩ 1/16W J | |
| C211 | NCB31CK-104X | C CAPACITOR | 0.1uF 16V K | | R172 | NRSA6AD-101W | MG RESISTOR | 100Ω 1/16W D | |
| C215 | NDC31HJ-181X | C CAPACITOR | 180pF 50V J | | R173 | NRSA6AD-101W | MG RESISTOR | 100Ω 1/16W D | |
| C216 | NCB31CK-104X | C CAPACITOR | 0.1uF 16V K | | R174 | NRSA6AD-101W | MG RESISTOR | 100Ω 1/16W D | |
| C218 | NCB31CK-104X | C CAPACITOR | 0.1uF 16V K | | R177 | NRSA63J-0R0X | MG RESISTOR | 0Ω 1/10W J | |
| C219 | NCB31CK-223X | C CAPACITOR | 0.022uF 16V K | | R178 | NRSA63J-0R0X | MG RESISTOR | 0Ω 1/10W J | |
| C220 | NCB31HK-102X | C CAPACITOR | 1000pF 50V K | | R181 | NQR0129-002X | FERRITE BEADS | | |
| C222 | NCB31CK-104X | C CAPACITOR | 0.1uF 16V K | | R189 | NRSA6AD-331W | MG RESISTOR | 330Ω 1/16W D | |
| C223 | NCB31HK-102X | C CAPACITOR | 1000pF 50V K | | R190 | NRSA6AD-331W | MG RESISTOR | 330Ω 1/16W D | |
| C224 | NCB21AK-225X | C CAPACITOR | 2.2uF 10V K | | R195 | NRSA6AD-103W | MG RESISTOR | 10kΩ 1/16W D | |
| C225 | NBE51CM-476X | TA E CAPACITOR | 47uF 16V M | | R201 | NRSA63J-102X | MG RESISTOR | 1kΩ 1/16W J | |
| C228 | NCB31HK-102X | C CAPACITOR | 1000pF 50V K | | R205 | NRSA6AD-103W | MG RESISTOR | 10kΩ 1/16W D | |
| C229 | NCB31CK-223X | C CAPACITOR | 0.022uF 16V K | | R211 | NRSA6AD-473W | MG RESISTOR | 47kΩ 1/16W D | |
| C232 | NBE51CM-476X | TA E CAPACITOR | 47uF 16V M | | R213 | NRSA63J-100X | MG RESISTOR | 10Ω 1/16W J | |
| C233 | NCB21CK-105X | C CAPACITOR | 1uF 16V K | | R215 | NRSA63D-122X | MG RESISTOR | 1.2kΩ 1/16W D | |
| C235 | NCB31HK-102X | C CAPACITOR | 1000pF 50V K | | R216 | NRSA63D-122X | MG RESISTOR | 1.2kΩ 1/16W D | |
| C237 | NDC31HJ-221X | C CAPACITOR | 220pF 50V J | | R217 | NRSA6AD-100W | MG RESISTOR | 10Ω 1/16W D | |
| C238 | NCB31CK-104X | C CAPACITOR | 0.1uF 16V K | | R219 | NRSA63J-150X | MG RESISTOR | 15Ω 1/16W J | |
| C240 | NCB31CK-104X | C CAPACITOR | 0.1uF 16V K | | | | | | |

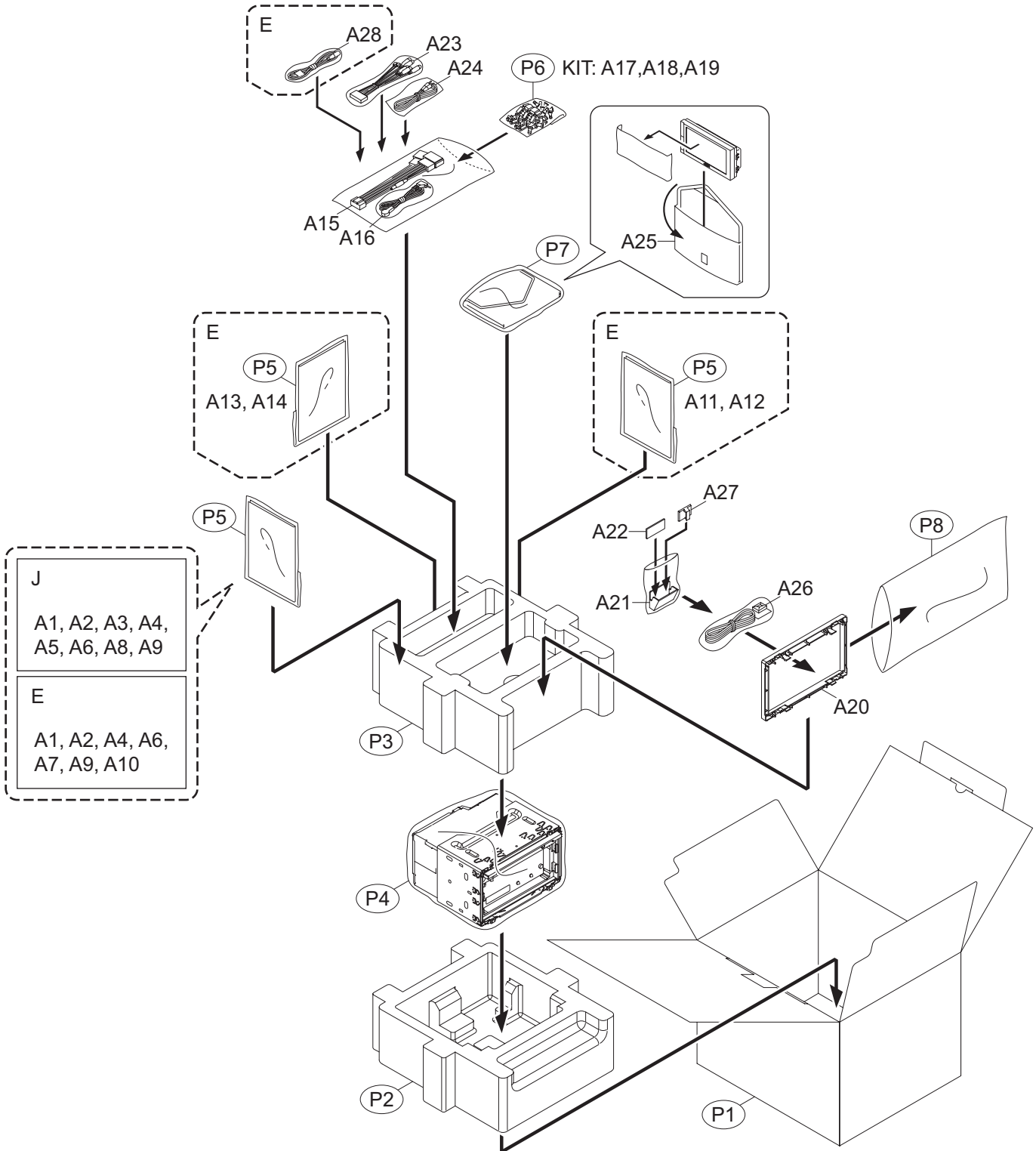
| △ Symbol No. | Part No. | Part Name | Description | Local | △ Symbol No. | Part No. | Part Name | Description | Local |
|--------------|---------------|---------------|----------------|-------|--------------|--------------|---------------|-------------|-------|
| R220 | NRSA63J-0R0X | MG RESISTOR | 0Ω 1/10W J | | S1 | NSW0313-001X | DETECT SWITCH | | |
| R223 | NRSA63J-4R7X | MG RESISTOR | 4.7kΩ 1/16W J | | TH491 | NAD0025-103X | N THERMISTOR | 10kΩ | |
| R226 | NRSA6AD-473W | MG RESISTOR | 47kΩ 1/16W D | | X351 | NAX0741-001X | CRYSTAL | 27.000MHz | |
| R229 | NRSA63J-0R0X | MG RESISTOR | 0Ω 1/10W J | | | | | | |
| R233 | NRSA6AD-103W | MG RESISTOR | 10kΩ 1/16W D | | | | | | |
| R264 | NRSA63J-0R0X | MG RESISTOR | 0Ω 1/10W J | | | | | | |
| R265 | NRSA6AD-103W | MG RESISTOR | 10kΩ 1/16W D | | | | | | |
| R267 | NRSA63D-472X | MG RESISTOR | 4.7kΩ 1/16W D | | | | | | |
| R268 | NRSA63J-0R0X | MG RESISTOR | 0Ω 1/10W J | | | | | | |
| R309 | NRS125J-R47X | MG RESISTOR | 0.47Ω 1/2W J | | | | | | |
| R310 | NRSA6AD-333W | MG RESISTOR | 33kΩ 1/16W D | | | | | | |
| R311 | NRSA63J-391X | MG RESISTOR | 390Ω 1/16W J | | | | | | |
| R318 | NRSA63J-203X | MG RESISTOR | 20kΩ 1/16W J | | | | | | |
| R319 | NRSA6AD-622W | MG RESISTOR | 6.2kΩ 1/16W D | | | | | | |
| R323 | NRSA6AD-391W | MG RESISTOR | 390Ω 1/16W D | | | | | | |
| R324 | NRSA63D-682X | MG RESISTOR | 6.8kΩ 1/16W D | | | | | | |
| R325 | NRSA63D-753X | MG RESISTOR | 75kΩ 1/16W D | | | | | | |
| R329 | NRS125J-R47X | MG RESISTOR | 0.47Ω 1/2W J | | | | | | |
| R330 | NRSA63J-0R0X | MG RESISTOR | 0Ω 1/10W J | | | | | | |
| R352 | NRSA6AD-102W | MG RESISTOR | 1kΩ 1/16W D | | | | | | |
| R357 | NRS125J-R22X | MG RESISTOR | 0.22Ω 1/2W J | | | | | | |
| R359 | NRSA6AD-243W | MG RESISTOR | 24kΩ 1/16W D | | | | | | |
| R362 | NRSA63J-103X | MG RESISTOR | 10kΩ 1/16W J | | | | | | |
| R364 | NRSA63J-391X | MG RESISTOR | 390Ω 1/16W J | | | | | | |
| R365 | NRSA6AD-103W | MG RESISTOR | 10kΩ 1/16W D | | | | | | |
| R366 | NRS125J-R22X | MG RESISTOR | 0.22Ω 1/2W J | | | | | | |
| R367 | NRSA6AD-104W | MG RESISTOR | 100kΩ 1/16W D | | | | | | |
| R369 | NRS125J-R22X | MG RESISTOR | 0.22Ω 1/2W J | | | | | | |
| R371 | NRSA63J-0R0X | MG RESISTOR | 0Ω 1/10W J | | | | | | |
| R375 | NRSA6AD-152W | MG RESISTOR | 1.5kΩ 1/16W D | | | | | | |
| R376 | NRSA6AD-822W | MG RESISTOR | 8.2kΩ 1/16W D | | | | | | |
| R379 | NRSA63D-332X | MG RESISTOR | 3.3kΩ 1/16W D | | | | | | |
| R380 | NRSA63J-223X | MG RESISTOR | 22kΩ 1/16W J | | | | | | |
| R382 | NRSA6AD-102W | MG RESISTOR | 1kΩ 1/16W D | | | | | | |
| R383 | NRSA63J-223X | MG RESISTOR | 22kΩ 1/16W J | | | | | | |
| R384 | NRSA6AD-104W | MG RESISTOR | 100kΩ 1/16W D | | | | | | |
| R386 | NRSA6AD-184W | MG RESISTOR | 180kΩ 1/16W D | | | | | | |
| R387 | NRSA63D-473X | MG RESISTOR | 47kΩ 1/16W D | | | | | | |
| R391 | NRSA6AD-822W | MG RESISTOR | 8.2kΩ 1/16W D | | | | | | |
| R392 | NRSA63J-103X | MG RESISTOR | 10kΩ 1/16W J | | | | | | |
| R393 | NRSA6AD-103W | MG RESISTOR | 10kΩ 1/16W D | | | | | | |
| R394 | NRSA63J-273X | MG RESISTOR | 27kΩ 1/16W J | | | | | | |
| R397 | NRSA6AD-101W | MG RESISTOR | 100Ω 1/16W D | | | | | | |
| R400 | NRSA6AD-153W | MG RESISTOR | 15kΩ 1/16W D | | | | | | |
| R402 | NRSA6AD-473W | MG RESISTOR | 47kΩ 1/16W D | | | | | | |
| R403 | NRSA63J-101X | MG RESISTOR | 100Ω 1/16W J | | | | | | |
| R406 | NRS125J-R22X | MG RESISTOR | 0.22Ω 1/2W J | | | | | | |
| R417 | NRSA63J-183X | MG RESISTOR | 18kΩ 1/16W J | | | | | | |
| R419 | NRSA63D-104X | MG RESISTOR | 100kΩ 1/16W D | | | | | | |
| R420 | NRSA6AD-184W | MG RESISTOR | 180kΩ 1/16W D | | | | | | |
| L302 | NQLJ6GK-100X | COIL | 10uH K | | | | | | |
| L303 | NRSA02J-0R0X | MG RESISTOR | 0Ω 1/10W J | | | | | | |
| CN1 | QGF0523F3-20W | CONNECTOR | FFC/FPC (1-20) | | | | | | |
| CN2 | QGA1002F1-03X | CONNECTOR | W-B (1-3) | | | | | | |
| CN101 | QGF0522F2-26W | CONNECTOR | FFC/FPC (1-26) | | | | | | |
| CN403 | QGF0534F3-50X | CONNECTOR | FFC/FPC (1-50) | | | | | | |
| K101 | NQR0007-002X | FERRITE BEADS | | | | | | | |
| K102 | NQR0007-002X | FERRITE BEADS | | | | | | | |
| K103 | NQR0502-001X | FERRITE BEADS | | | | | | | |
| K108 | NQR0129-002X | FERRITE BEADS | | | | | | | |
| K113 | NQR0502-001X | FERRITE BEADS | | | | | | | |
| K114 | NRSA63J-0R0X | MG RESISTOR | 0Ω 1/10W J | | | | | | |
| K115 | NRSA63J-0R0X | MG RESISTOR | 0Ω 1/10W J | | | | | | |
| K117 | NRSA63J-0R0X | MG RESISTOR | 0Ω 1/10W J | | | | | | |
| K118 | NRSA63J-0R0X | MG RESISTOR | 0Ω 1/10W J | | | | | | |
| K119 | NRSA63J-0R0X | MG RESISTOR | 0Ω 1/10W J | | | | | | |
| K120 | NRSA63J-0R0X | MG RESISTOR | 0Ω 1/10W J | | | | | | |
| K121 | NRSA63J-0R0X | MG RESISTOR | 0Ω 1/10W J | | | | | | |
| K131 | NQR0022-005X | FERRITE BEADS | | | | | | | |
| K132 | NQR0022-005X | FERRITE BEADS | | | | | | | |
| K133 | NQR0022-005X | FERRITE BEADS | | | | | | | |
| K135 | NRSA63J-0R0X | MG RESISTOR | 0Ω 1/10W J | | | | | | |
| K136 | NRSA63J-0R0X | MG RESISTOR | 0Ω 1/10W J | | | | | | |
| K137 | NRSA63J-0R0X | MG RESISTOR | 0Ω 1/10W J | | | | | | |
| K141 | NRSA63J-0R0X | MG RESISTOR | 0Ω 1/10W J | | | | | | |
| K142 | NRSA63J-0R0X | MG RESISTOR | 0Ω 1/10W J | | | | | | |

<MEMO>

Packing materials and accessories parts list

Block No. M 3 M M

No additional / supplemental order of WARRANTY CARDS are available.



The parts without symbol number are not service.

Packing and Accessories

Block No. [M][3][M][M]

| △ | Symbol No. | Part No. | Part Name | Description | Local |
|---|------------|---------------|-------------------|--------------|-------|
| | A 1 | LVT1982-001A | INST BOOK | ENG SPA FRE | A |
| | A 1 | LVT1983-001A | INST BOOK | ENG GER FRE | B |
| | A 2 | LVT1982-002A | INSTALL MANUAL | ENG SPA FRE | A |
| | A 2 | LVT1983-004A | INSTALL MANUAL | ENG GER FRE | B |
| | A 3 | BT-51044-1 | REGISTRATION CARD | | A |
| | A 4 | ----- | WARRANTY CARD | BT-51018-6 | A |
| | A 4 | ----- | WARRANTY CARD | BT-54039-1 | B |
| | A 5 | ----- | WARRANTY CARD | BT-52008-1 | A |
| | A 6 | LVT1672-003A | INST SHEET | | |
| | A 7 | LVT1985-001A | SHEET | | B |
| | A 8 | LVT1920-002A | CAUTION SHEET | | A |
| | A 9 | LVT2058-001A | NOTICE SHEET | | |
| | A 10 | VND3050-002 | IDENTITY CARD | | B |
| | A 11 | LVT1983-002A | INST BOOK | DUT SPA ITA | B |
| | A 12 | LVT1983-005A | INSTALL MANUAL | DUT SPA ITA | B |
| | A 13 | LVT1983-003A | INST BOOK | SWE DAN POR | B |
| | A 14 | LVT1983-006A | INSTALL MANUAL | SWE DAN POR | B |
| △ | A 15 | QAM1180-001 | POWER CORD | | A |
| △ | A 15 | QAM1181-001 | POWER CORD | | B |
| | A 16 | QAN0096-001 | MICROPHONE | | |
| | A 17 | LV41478-001A | CORD CONNECTER | | A |
| | A 17 | LV41478-001A | CORD CONNECTER | (x2) | B |
| | A 18 | QYSSSP5008ZA | SCREW | M5 x 8mm(x8) | |
| | A 19 | QYSDSP5008ZA | SCREW | M5 x 8mm(x8) | |
| | A 20 | LV22463-002A | TRIM PLATE | | |
| | A 21 | LV38834-001A | GPS HOLDER | | B |
| | A 22 | LV45363-001A | D.F.TAPE SHEET | | B |
| | A 23 | QAM1215-001 | CAR CABLE | | A |
| | A 23 | QAM1214-001 | CAR CABLE | | B |
| | A 24 | QAM1086-002 | AUX VIDEO CABLE | | |
| | A 25 | LV45104-001A | SOFT CASE | | |
| | A 26 | CM-NT1GPSD | ANTENNA | | |
| | A 27 | LV45371-001A | CABLE CLAMP | | B |
| | A 28 | QAM1256-001 | CAR CABLE | | B |
| | KIT | SRW-MA393 | SCREW PARTS KIT | A17 A18 A19 | A |
| | KIT | SRW-AVX800E | SCREW PARTS KIT | A17 A18 A19 | B |
| | P 1 | LV38712-002A | CARTON | | A |
| | P 1 | LV38713-003A | CARTON | | B |
| | P 2 | LV11651-002A | CUSHION BOTTOM | | |
| | P 3 | LV11650-001A | CUSHION TOP | | |
| | P 4 | QPC03504015PB | POLY BAG | 35cm x 40cm | |
| | P 5 | FSPG4002-001 | POLY BAG | | A |
| | P 5 | FSPG4002-001 | POLY BAG | (x3) | B |
| | P 6 | QPA00801205 | POLY BAG | 8cm x 12cm | |
| | P 7 | FSPG4002-001 | POLY BAG | | |
| | P 8 | QPA01703505PB | POLY BAG | 17cm x 35cm | |